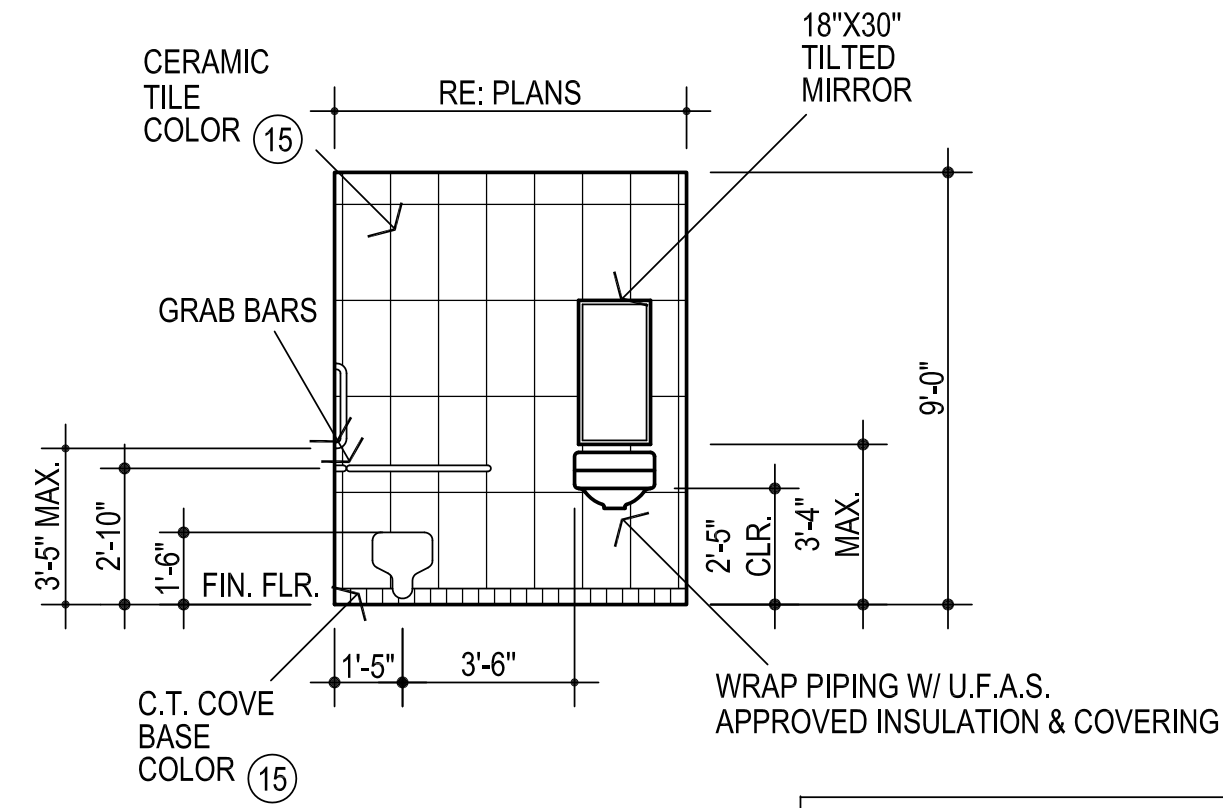
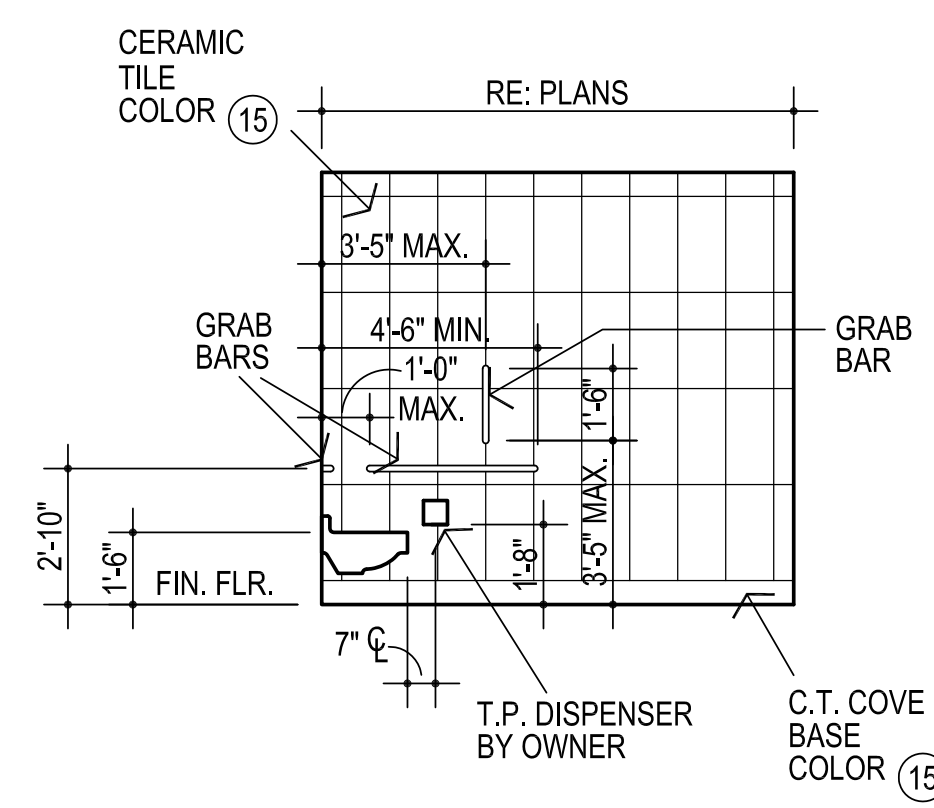


1 W. WALL ROOM # 110
1/4" = 1'-0"



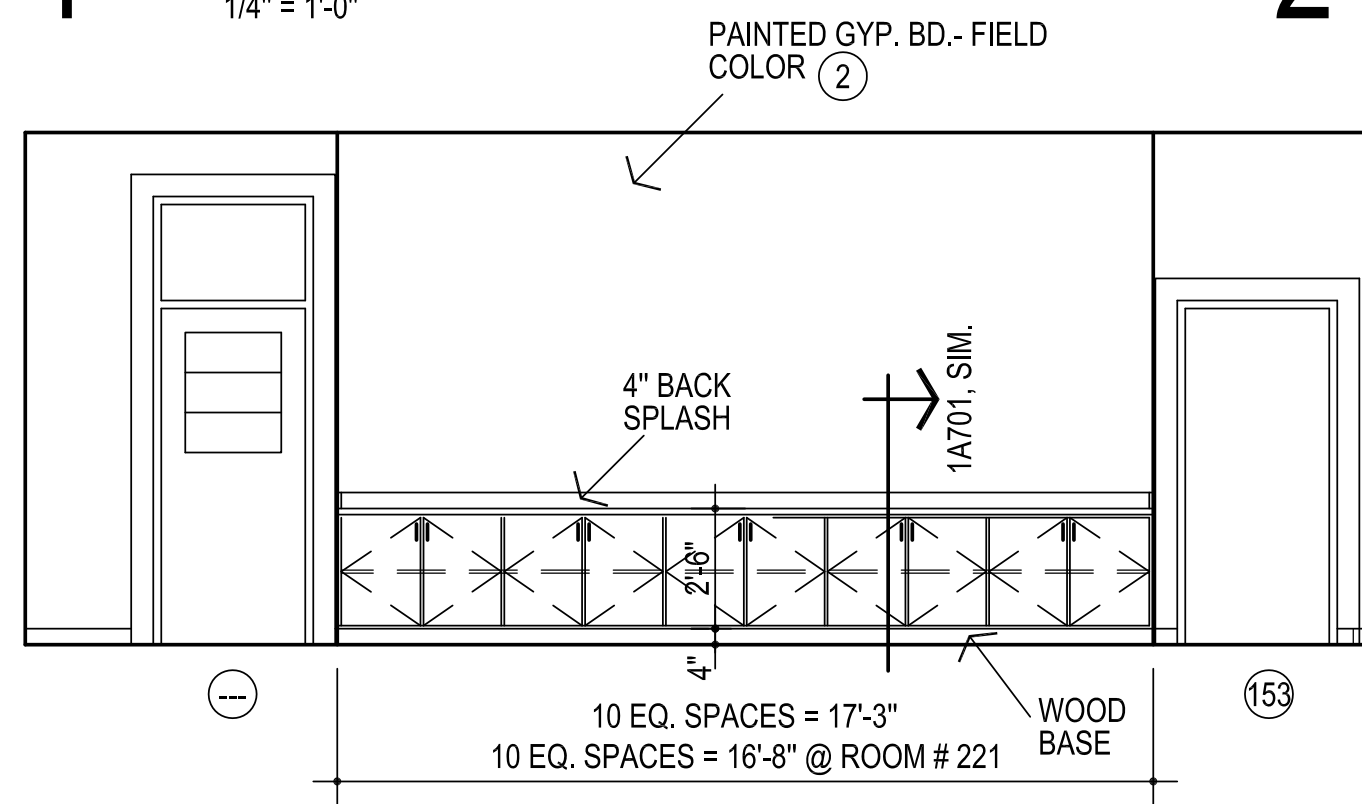
2 TYPICAL SINGLE TOILET
1/4" = 1'-0"
CONTRACTOR TO PROVIDE
C.T. LAYOUT FOR REVIEW
PRIOR TO INSTALLATION OF C.T.



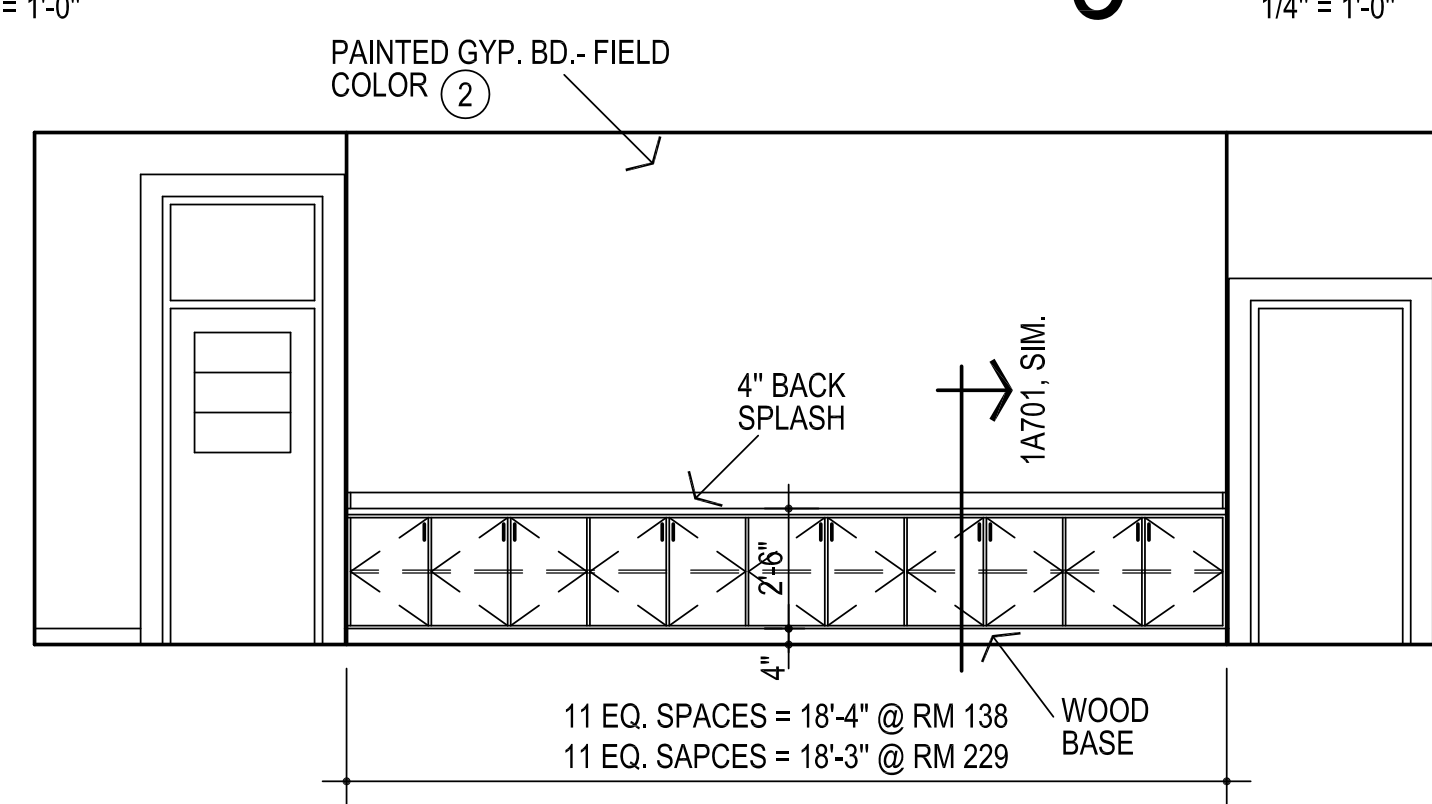
3 HANDICAP
ACCESSIBLE W.C.
1/4" = 1'-0"

4 NUMBER NOT USED
1/4" = 1'-0"

5 TYP. DOUBLE E.W.C.
1/4" = 1'-0"

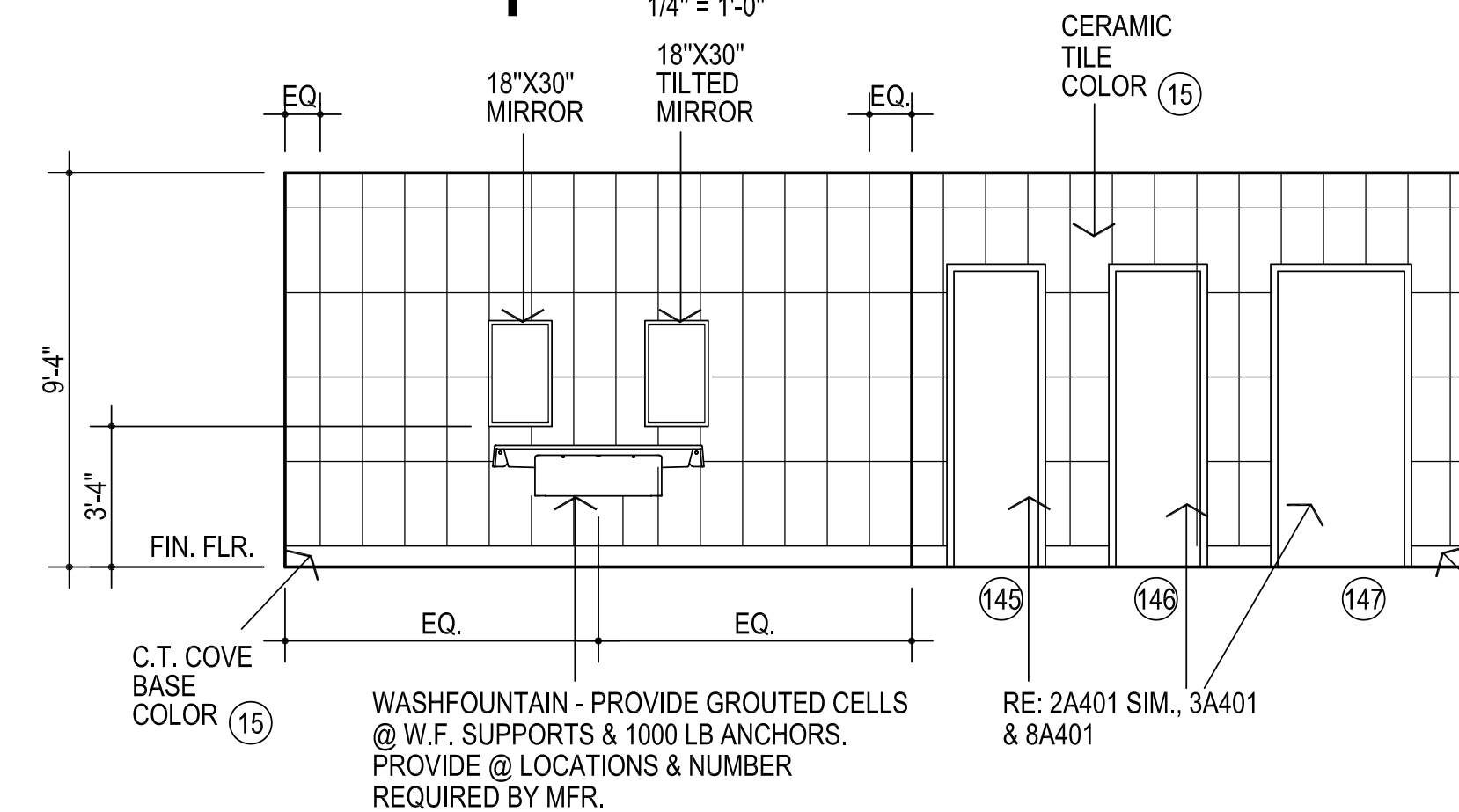


6 E. WALL ROOM # 134
E. WALL ROOM # 135, OPP.
E. WALL ROOM # 221, OPP.
1/4" = 1'-0"

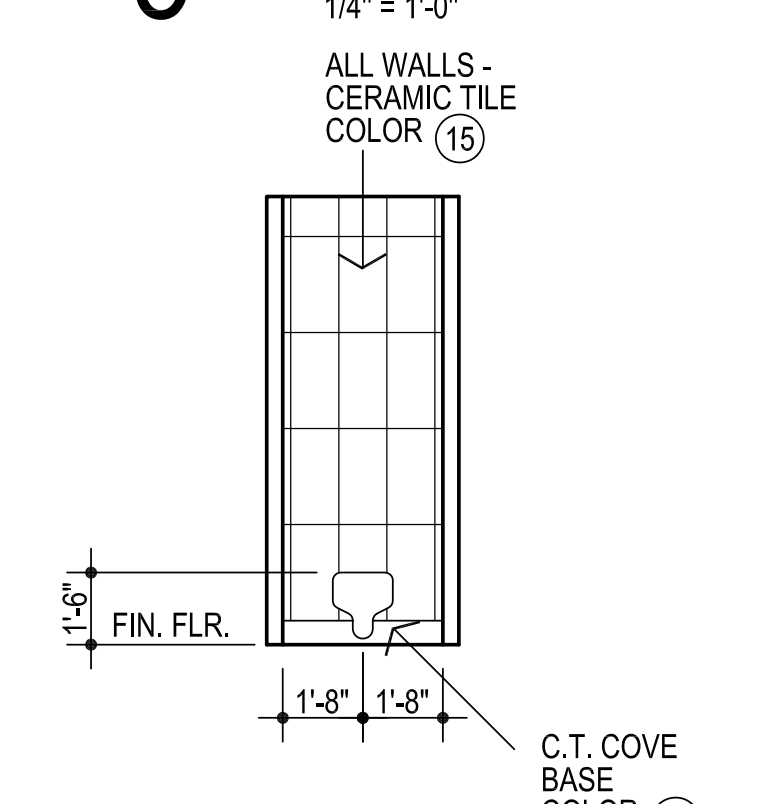


7 W. WALL ROOM # 138 OPP.
E. WALL ROOM # 229
1/4" = 1'-0"

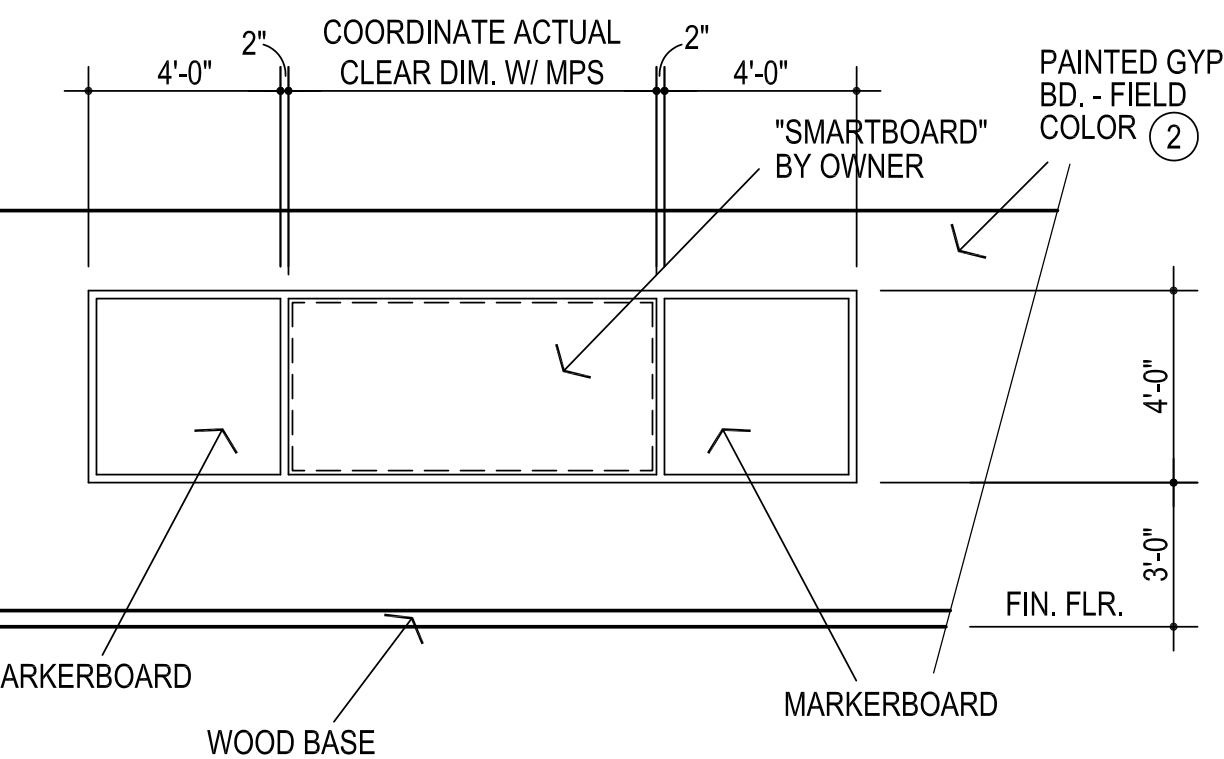
NOTE: CONTRACTOR TO VERIFY THAT
THE MOUNTING HEIGHTS OF ALL WALL
MOUNTED FIXTURES (I.E. PLUMBING FIXTURES,
GRAB BARS, MIRRORS, ETC.) MEET
ALL APPLICABLE CODES & STANDARDS
PRIOR TO INSTALLATION.



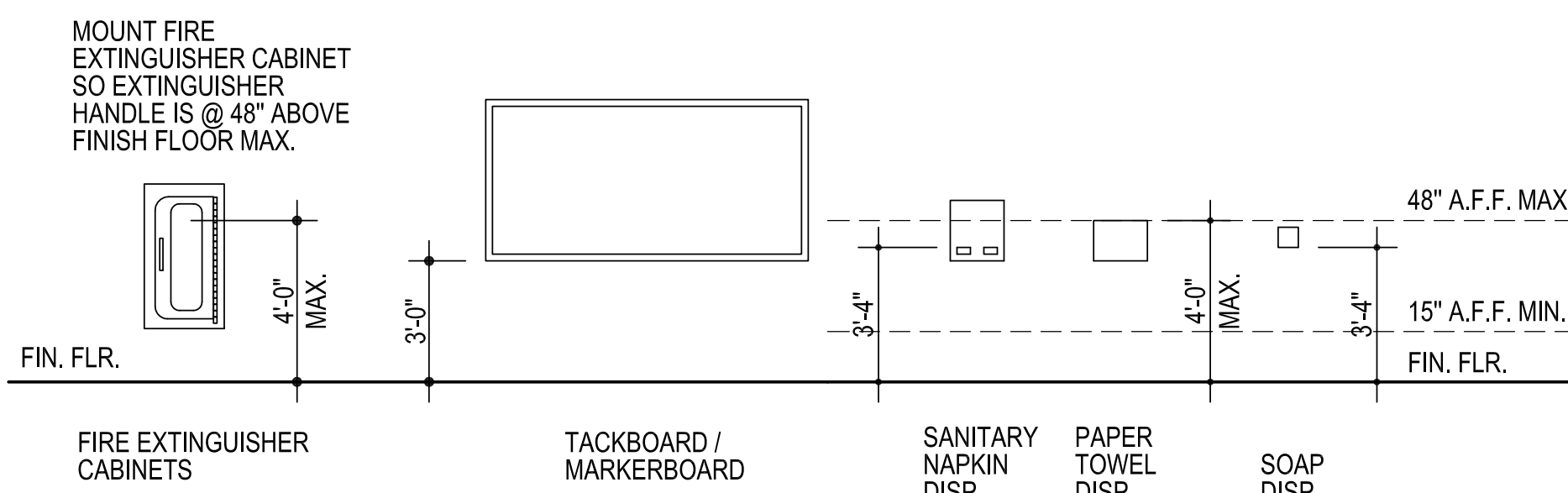
8 N. WALL ROOM # 144
S. WALL ROOM # 144, OPP.
1/4" = 1'-0"
CONTRACTOR TO PROVIDE
C.T. LAYOUT FOR REVIEW
PRIOR TO INSTALLATION OF C.T.



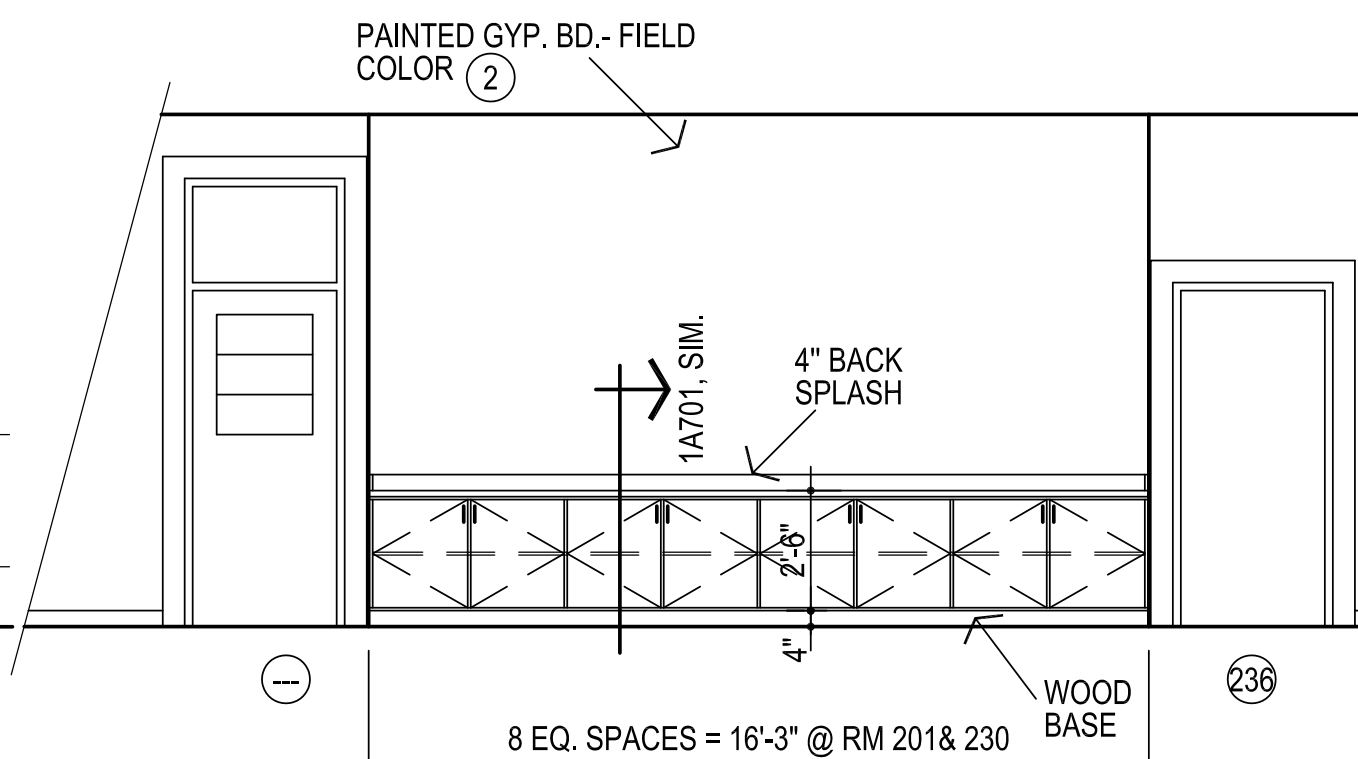
9 TYP. TOILET
1/4" = 1'-0"



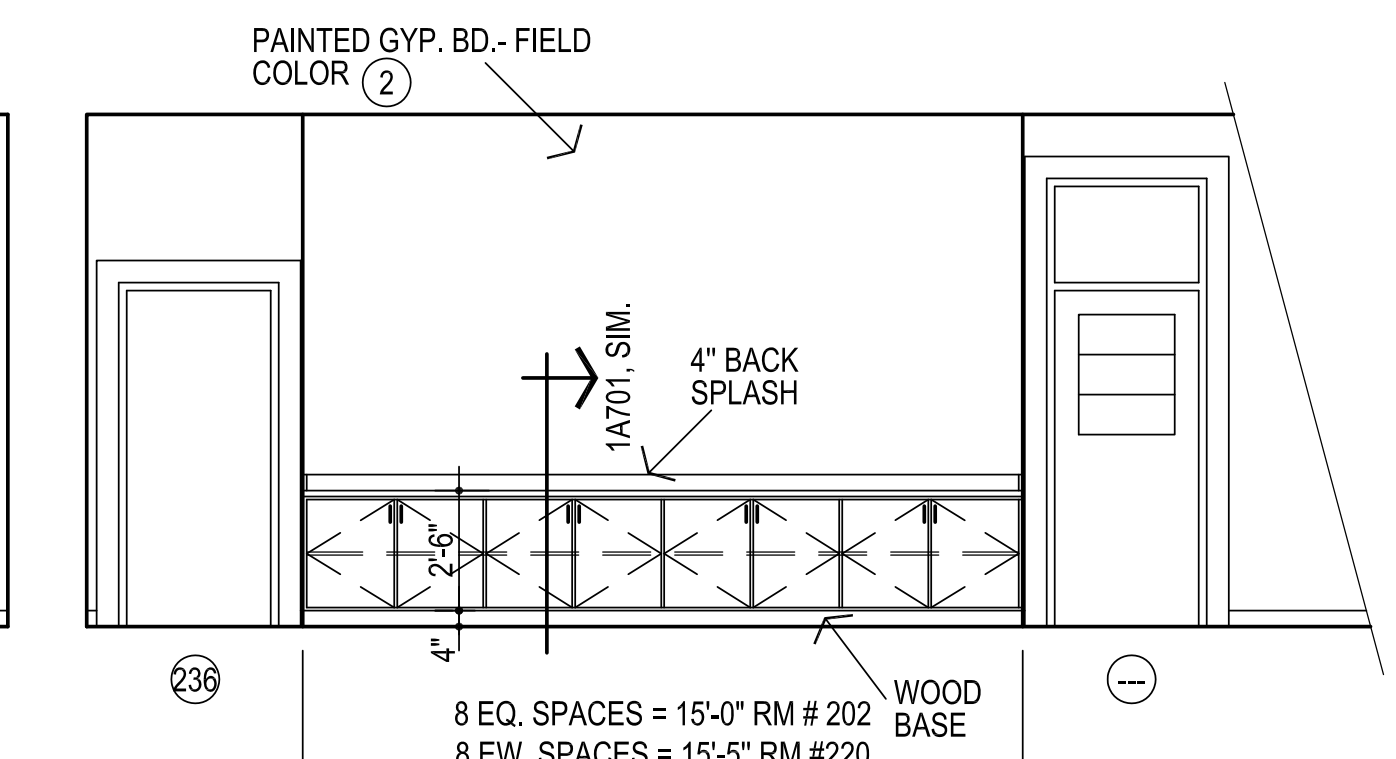
10 ELEV. @ TYP. CLASSROOM
"SMARTBOARD"
1/4" = 1'-0"



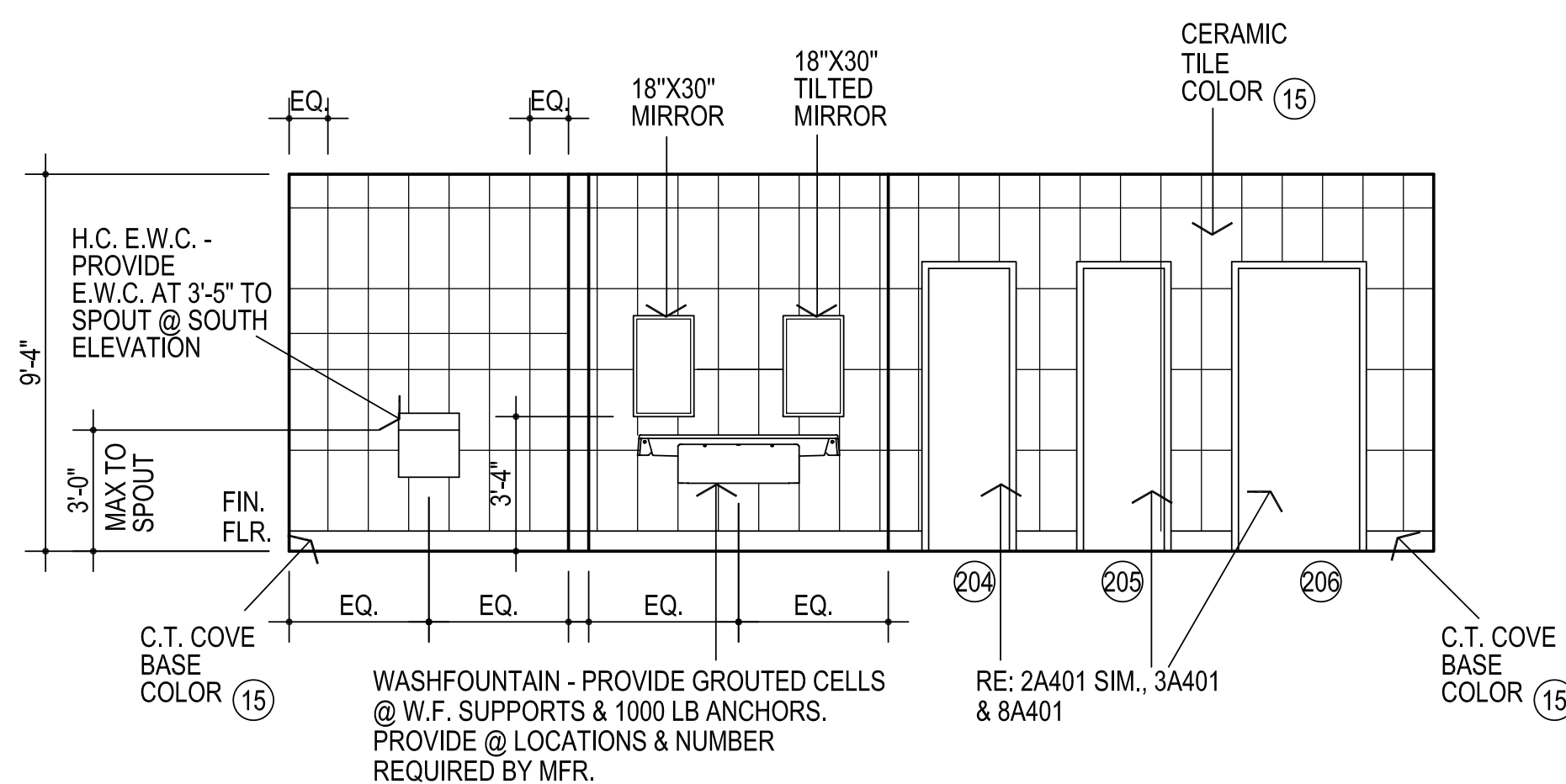
11 TYPICAL MOUNTING HEIGHTS
1/4" = 1'-0"



12 W. WALL ROOM # 201
E. WALL ROOM # 230, OPP.
1/4" = 1'-0"

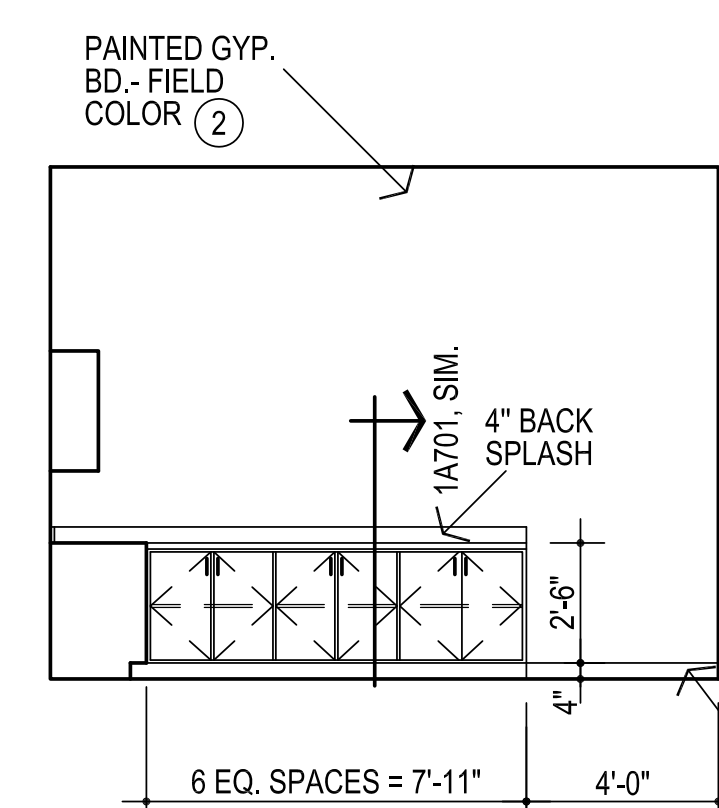


13 W. WALL ROOM # 202
E. WALL ROOM # 220, OPP.
W. WALL ROOM # 228, OPP.
1/4" = 1'-0"

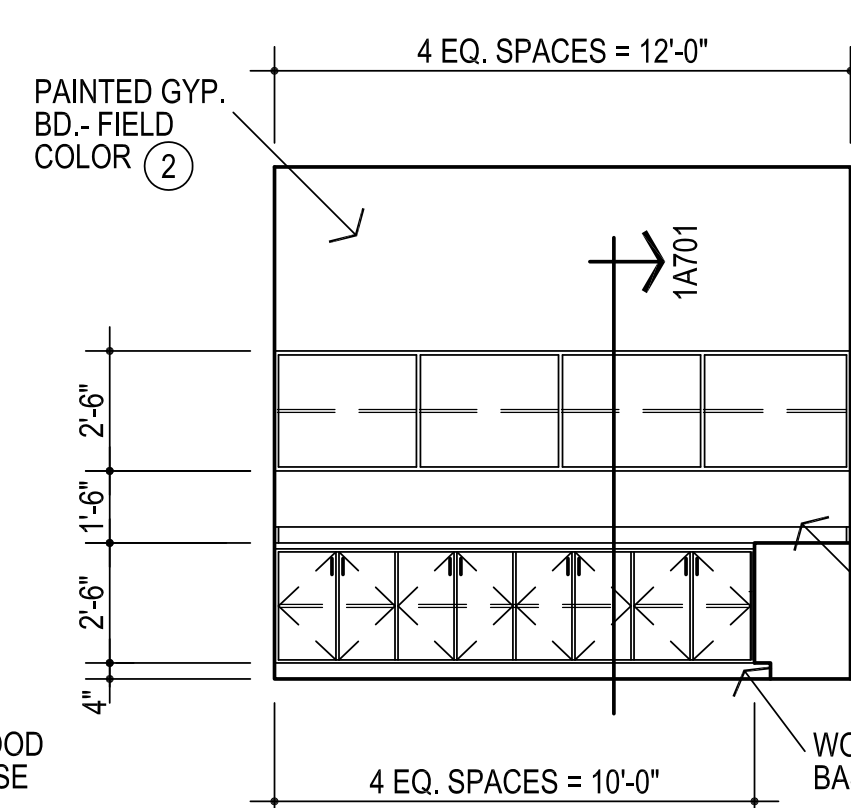


14 N. WALL ROOM # 203, OPP.
S. WALL ROOM # 203
1/4" = 1'-0"

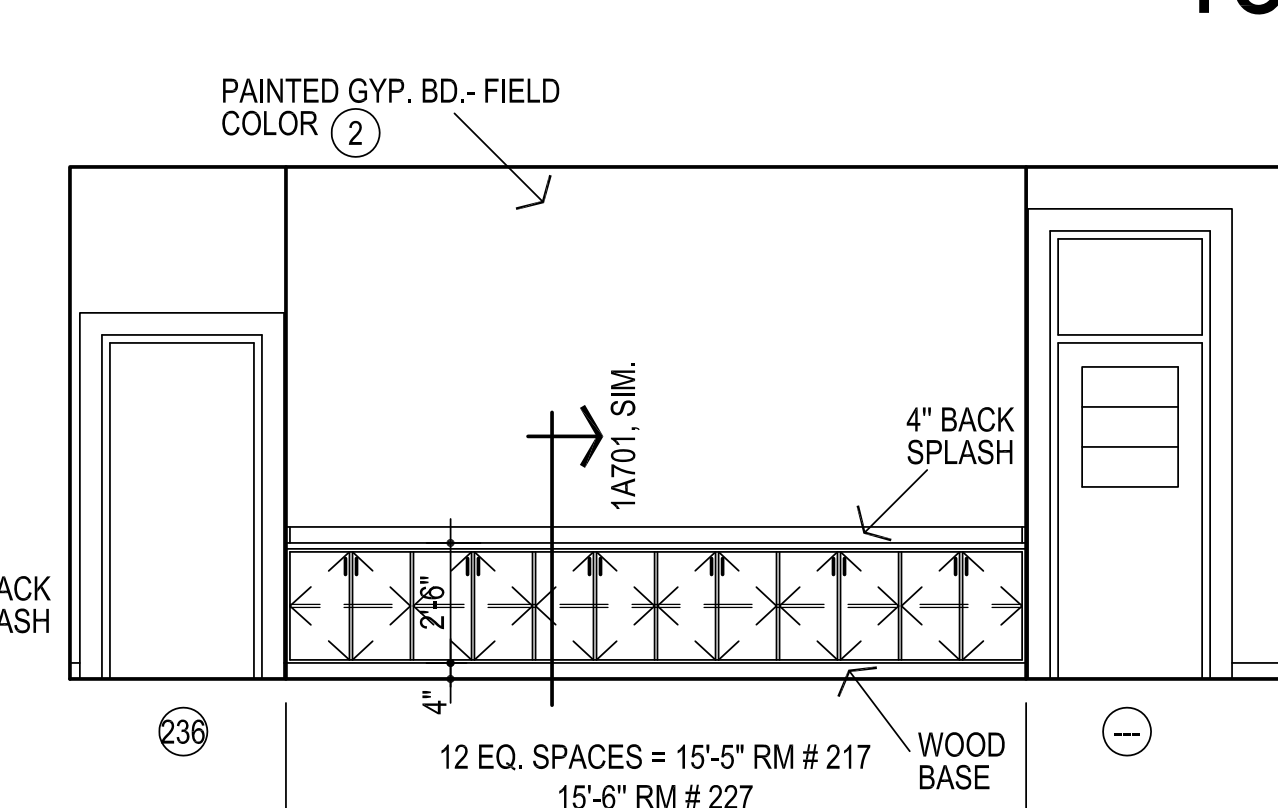
CONTRACTOR TO PROVIDE
C.T. LAYOUT FOR REVIEW
PRIOR TO INSTALLATION OF C.T.



15 W. WALL ROOM # 216
1/4" = 1'-0"



16 S. WALL ROOM # 216
1/4" = 1'-0"



17 W. WALL ROOM # 217
E. WALL ROOM # 227 OPP.
1/4" = 1'-0"

GENERAL NOTES:

- DO NOT SCALE DRAWINGS TO OBTAIN MATERIAL QUANTITIES. USE DRAWINGS WHICH ARE DIMENSIONED OR COORDINATE W/ EXISTING CONDITIONS &/OR ARCHITECT & ENGINEERS.
- NOTE: CONTRACTOR TO VERIFY THAT THE MOUNTING HEIGHTS OF ALL WALL MOUNTED FIXTURES (I.E. PLUMBING FIXTURES, GRAB BARS, MIRRORS, ETC.) MEET ALL APPLICABLE CODES & STANDARDS PRIOR TO INSTALLATION.