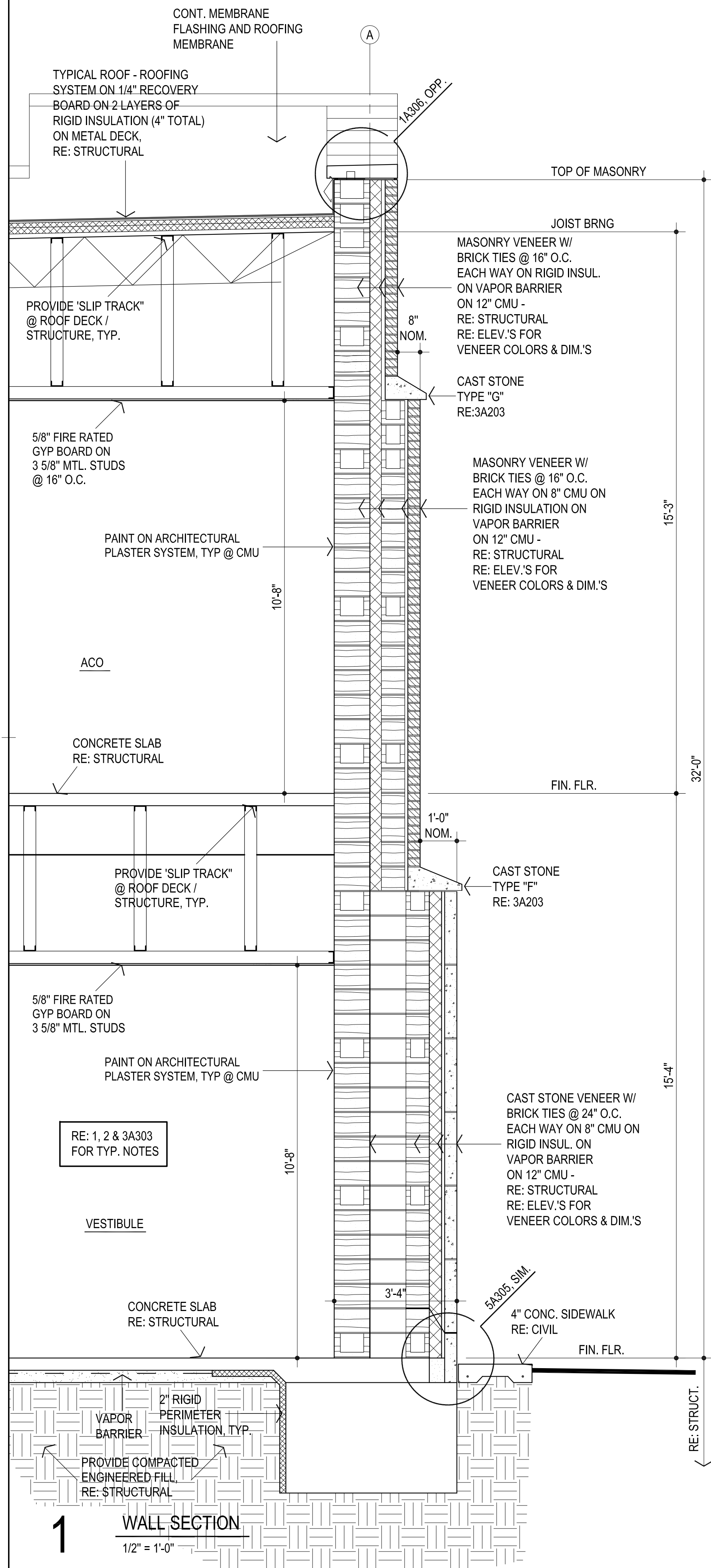
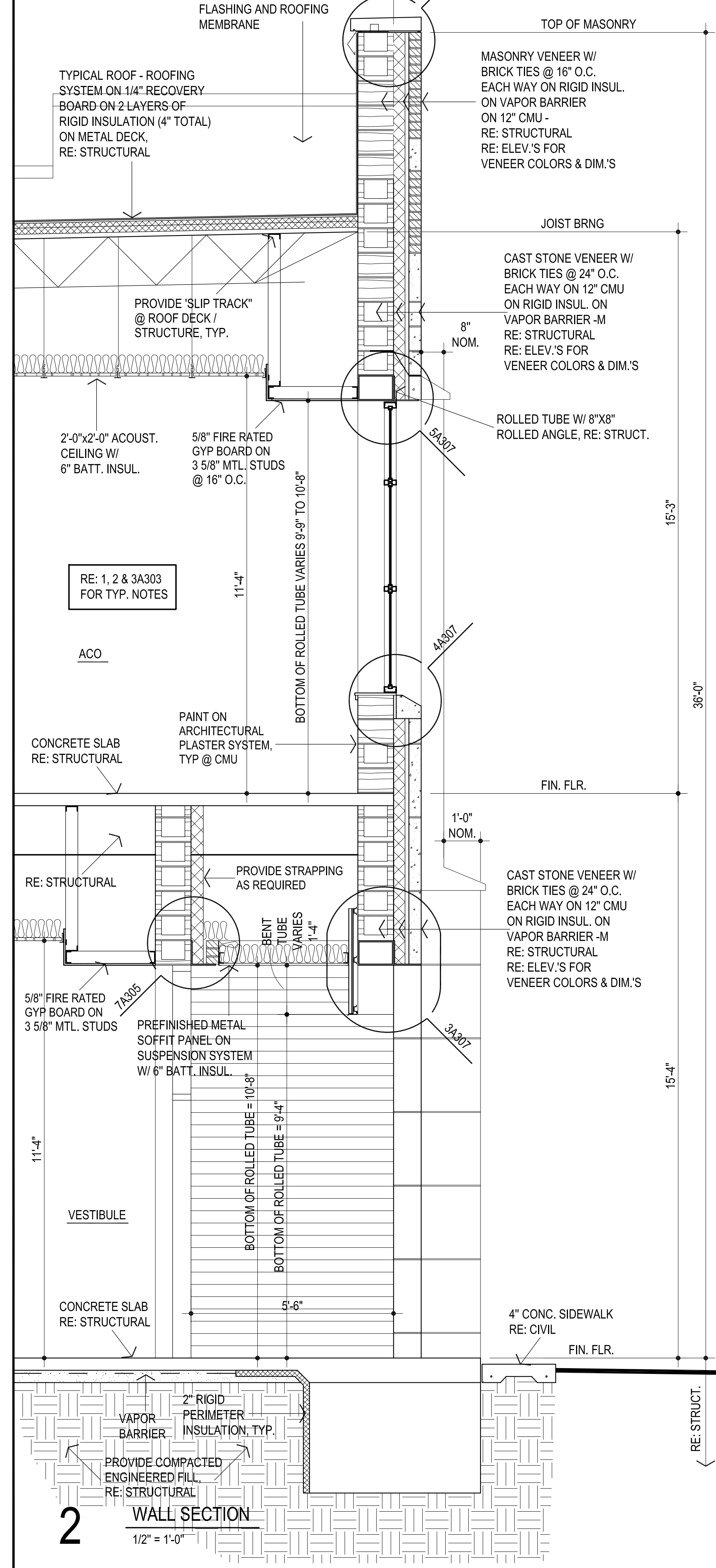


**GENERAL NOTES:**

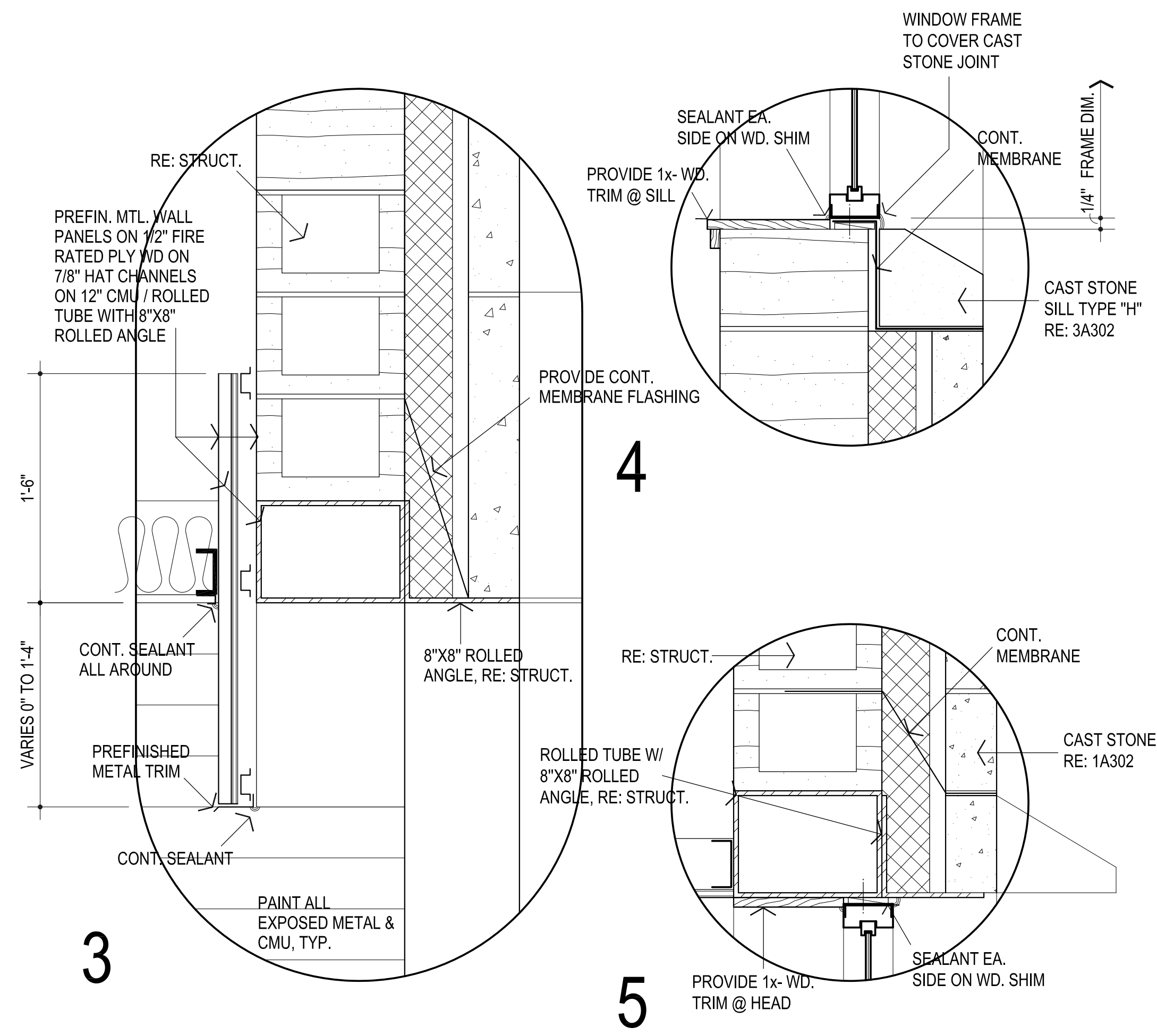
- REFER STRUCTURAL DRAWINGS FOR TOP OF FOOTING ELEVATIONS - PROVIDE ALL MATERIALS REQUIRED FOR WALL SYSTEM TO EXTEND TO TOP OF FOOTING
- DO NOT SCALE DRAWINGS TO OBTAIN MATERIAL QUANTITIES. USE DRAWINGS WHICH ARE DIMENSIONED OR COORDINATE W/ EXISTING CONDITIONS &/OR ARCHITECT & ENGINEERS.



**1 WALL SECTION**  
1/2" = 1'-0"



**2 WALL SECTION**  
1/2" = 1'-0"



**3**

**4**

**5**

313 S. E. 5th Street  
MOORE, OK. 73160  
405.735.3477  
AGP@theAGP.net  
www.theAGP.net

CEDAR CREEK  
CIVIL  
KFC ENGINEERING  
STRUCTURAL  
SALAS O'BRIEN  
MECHANICAL / ELECTRICAL



|               |            |
|---------------|------------|
| CG            | drawn by   |
| MA            | checked by |
| NOVEMBER 2025 | date       |
|               | revisions  |
|               |            |
|               |            |
|               |            |



OLD SCHOOL  
REPLACEMENT

sheet no:

**A307**

OWNERSHIP USE OF DOCUMENTS:  
AGP EXPRESSLY RESERVES ITS  
COPYRIGHT AND OTHER PROPERTY  
RIGHTS OF ALL PLANS AND DRAWINGS  
DESIGNED AND/OR PRODUCED. PLANS  
AND DRAWINGS ARE NOT TO BE  
REPRODUCED IN ANY FORM OR MANNER  
WITHOUT THE EXPRESSED WRITTEN  
CONSENT OF AGP.