



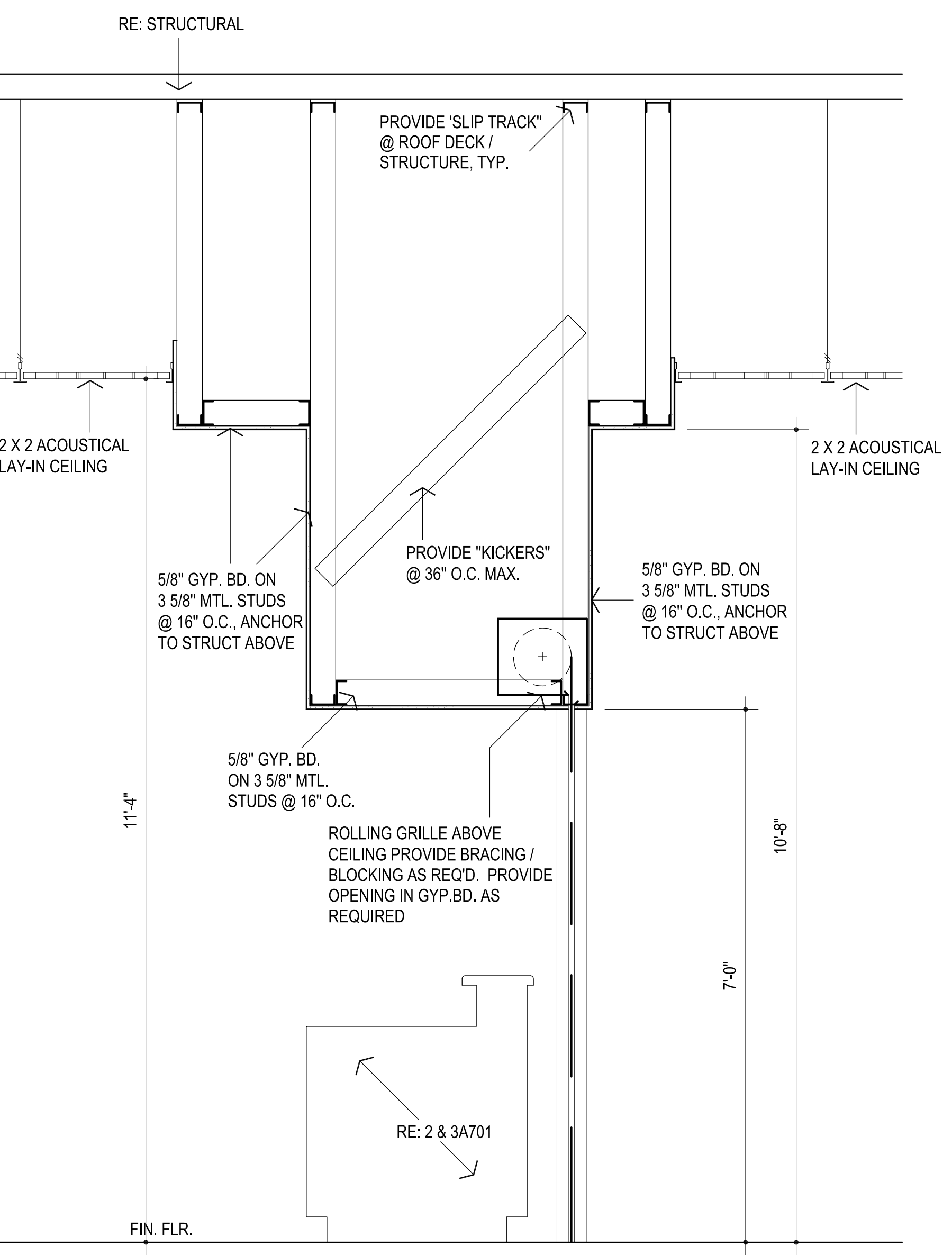
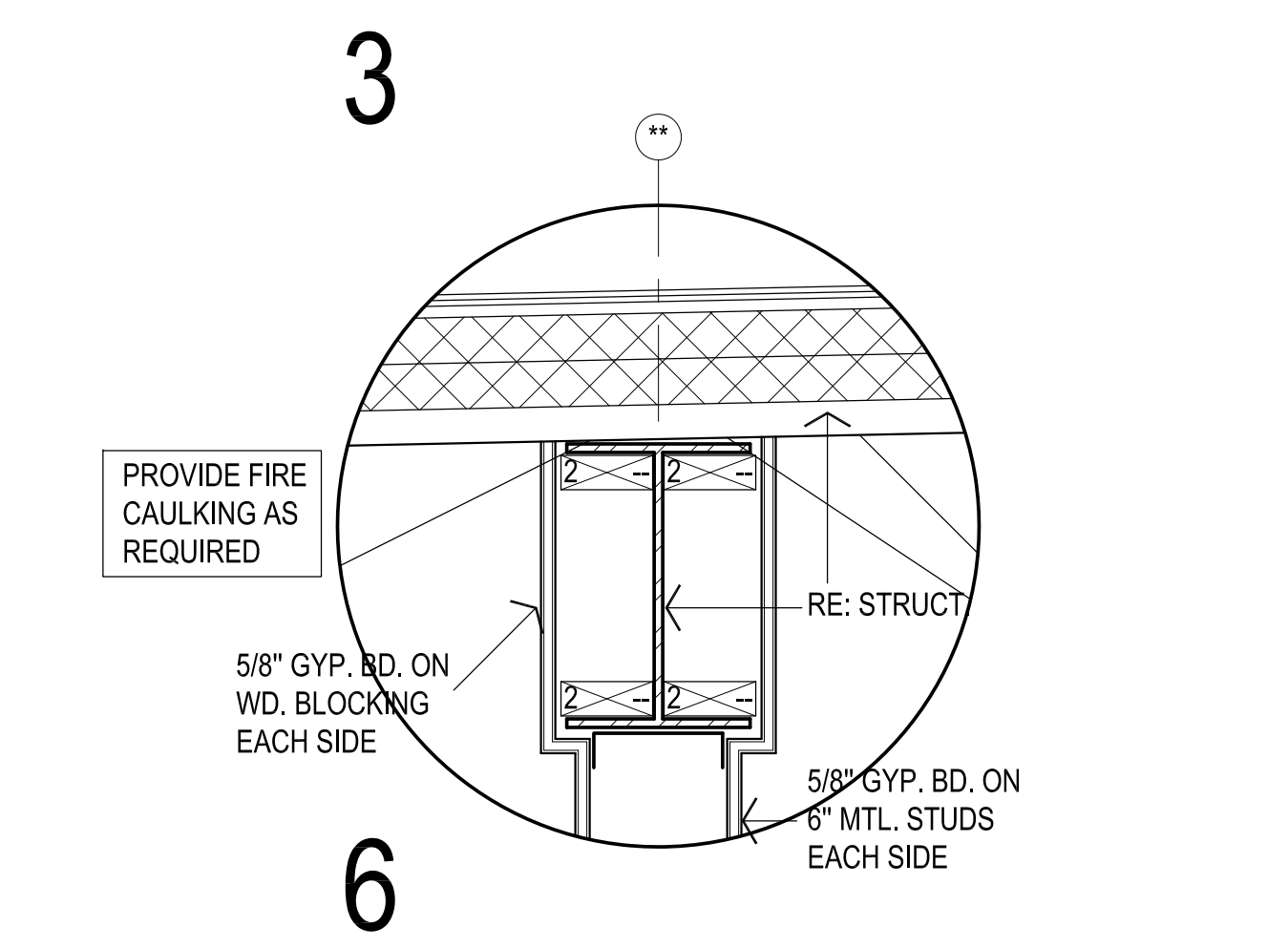
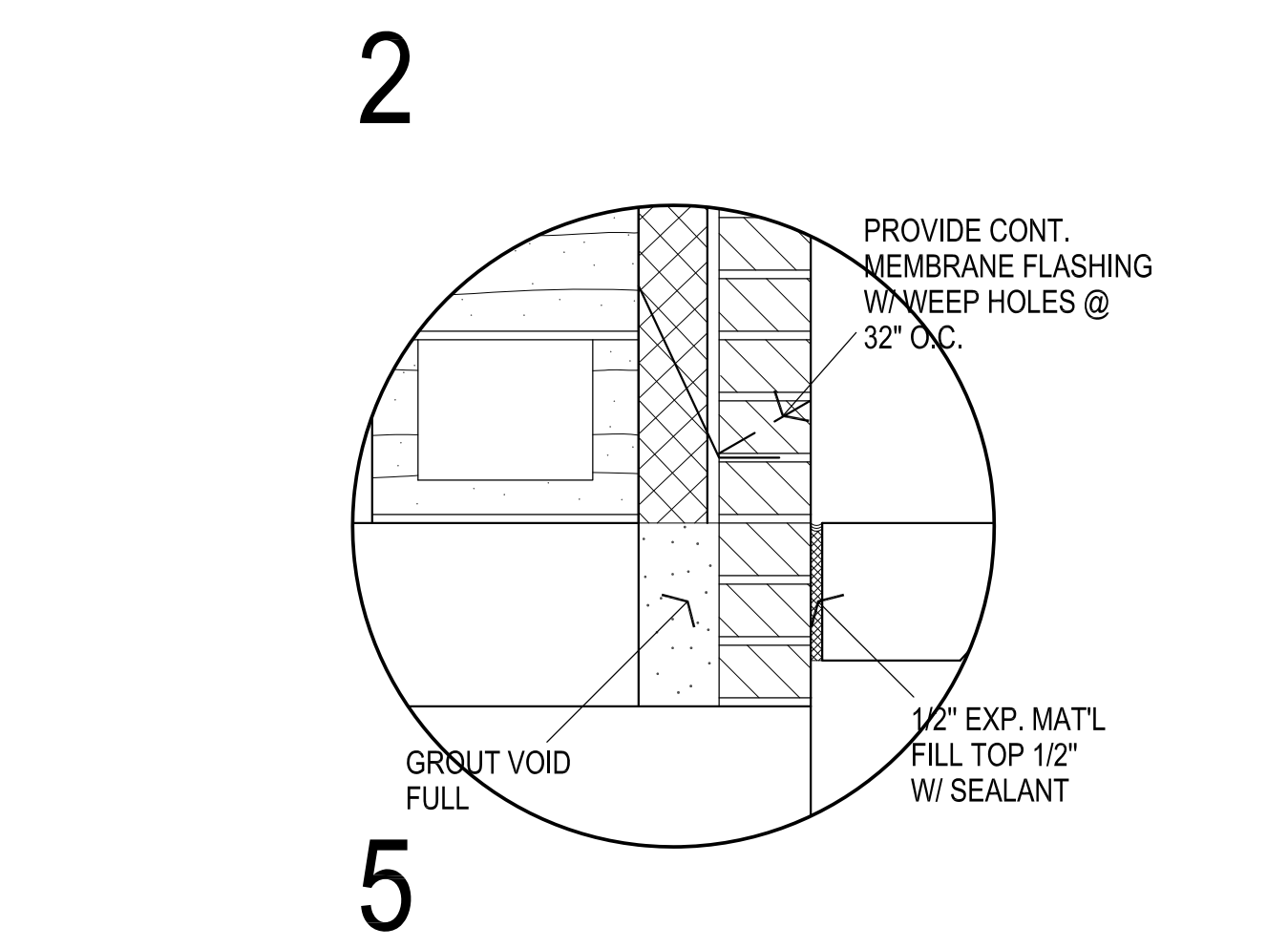
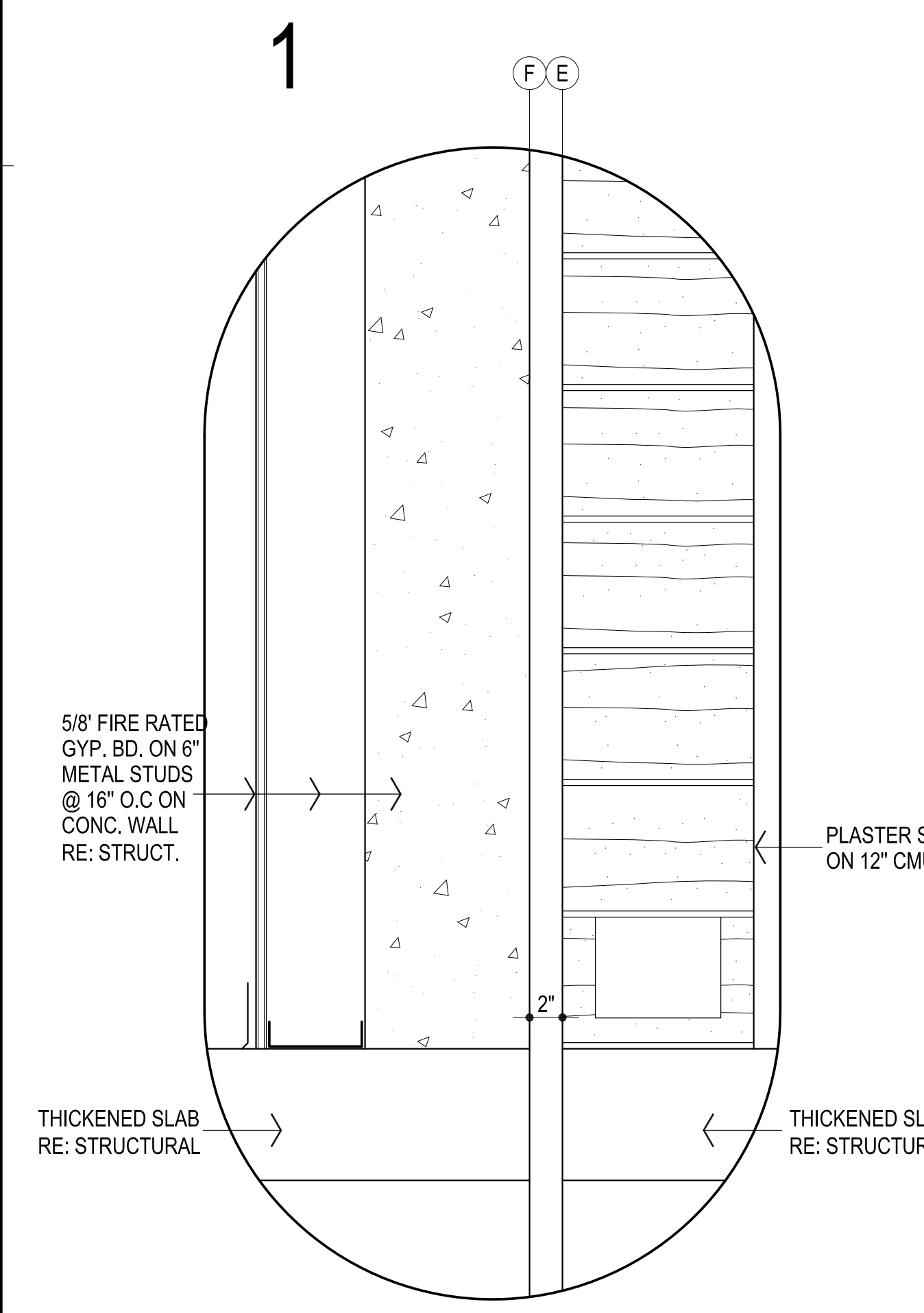
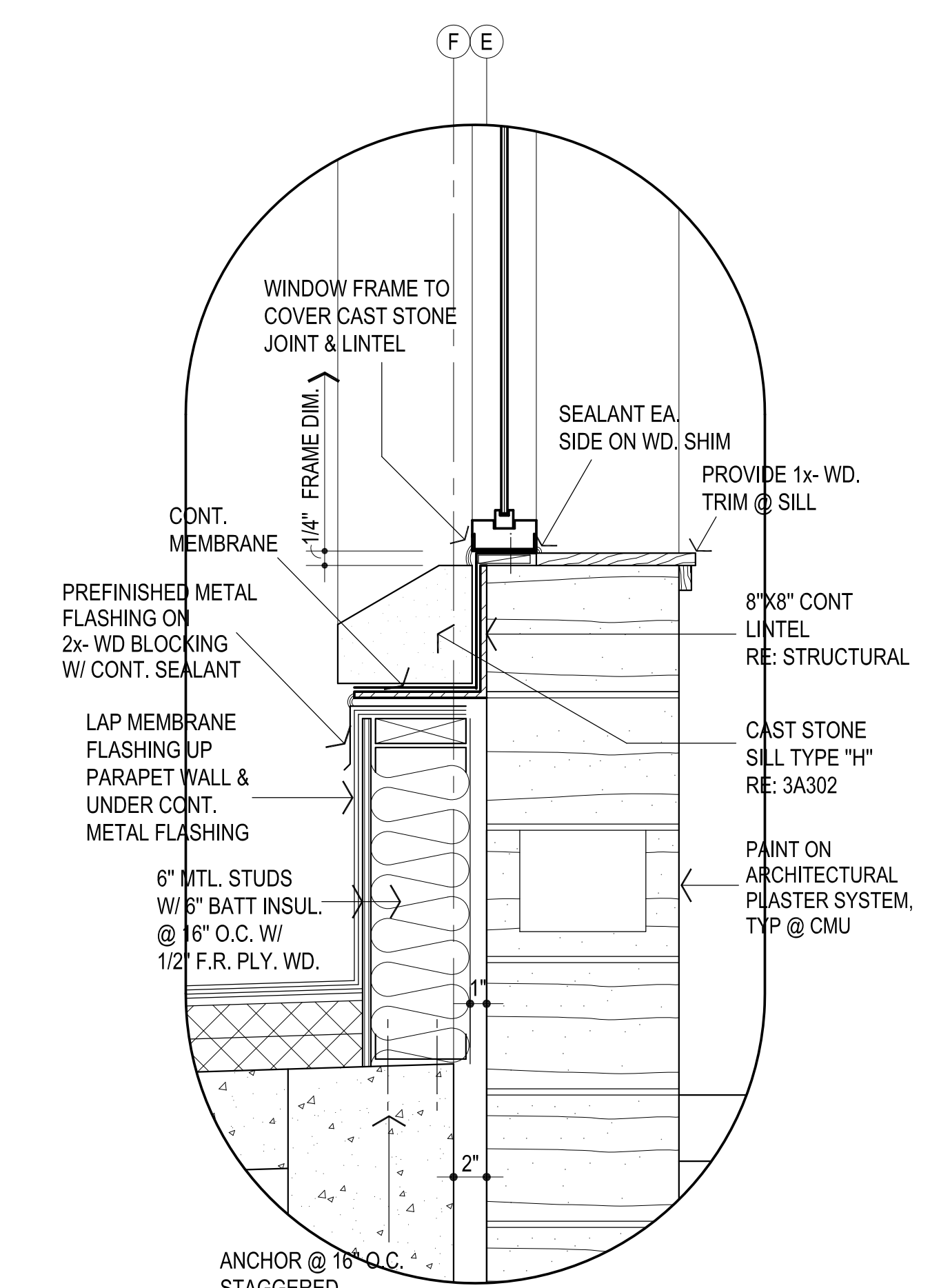
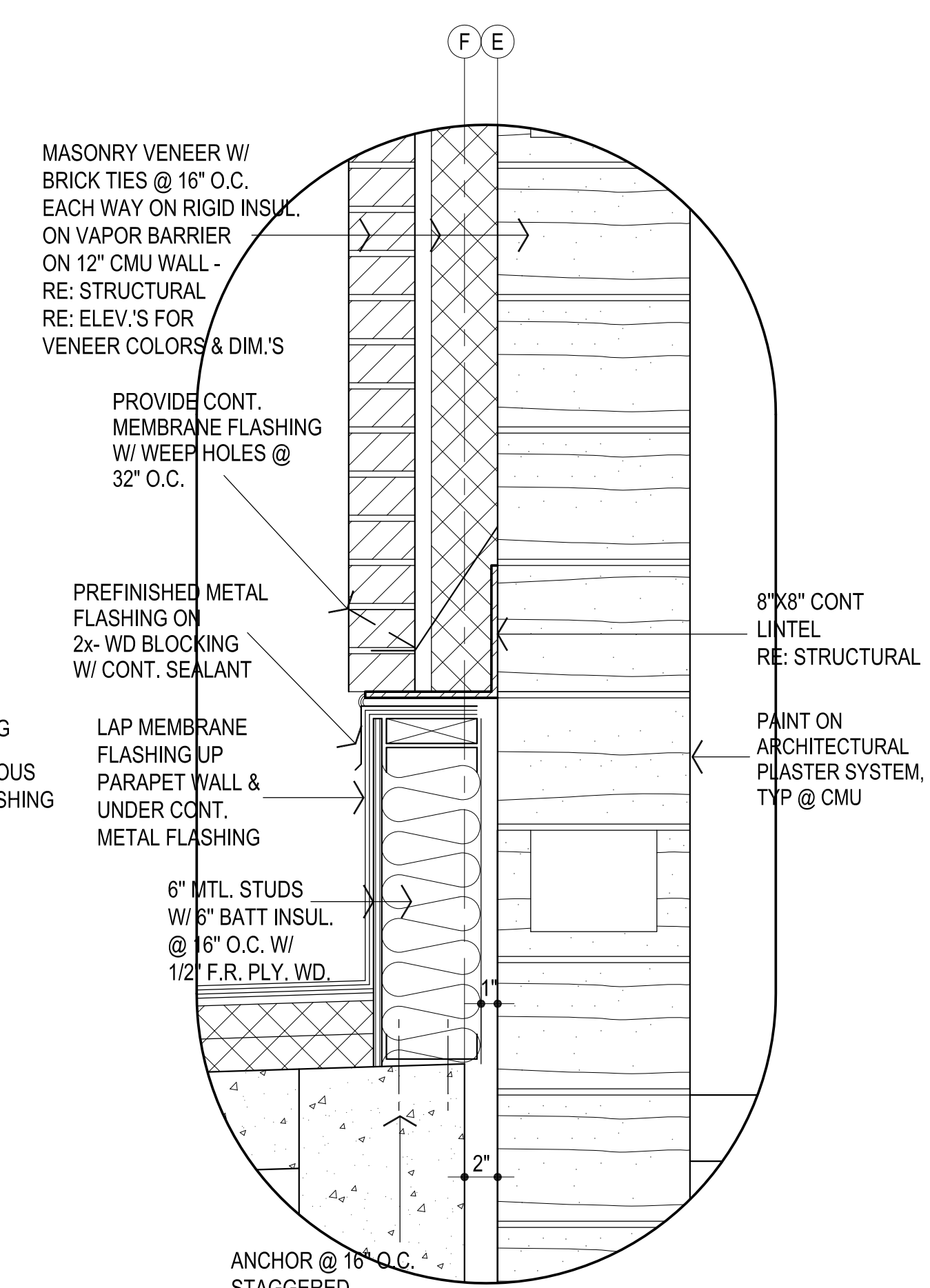
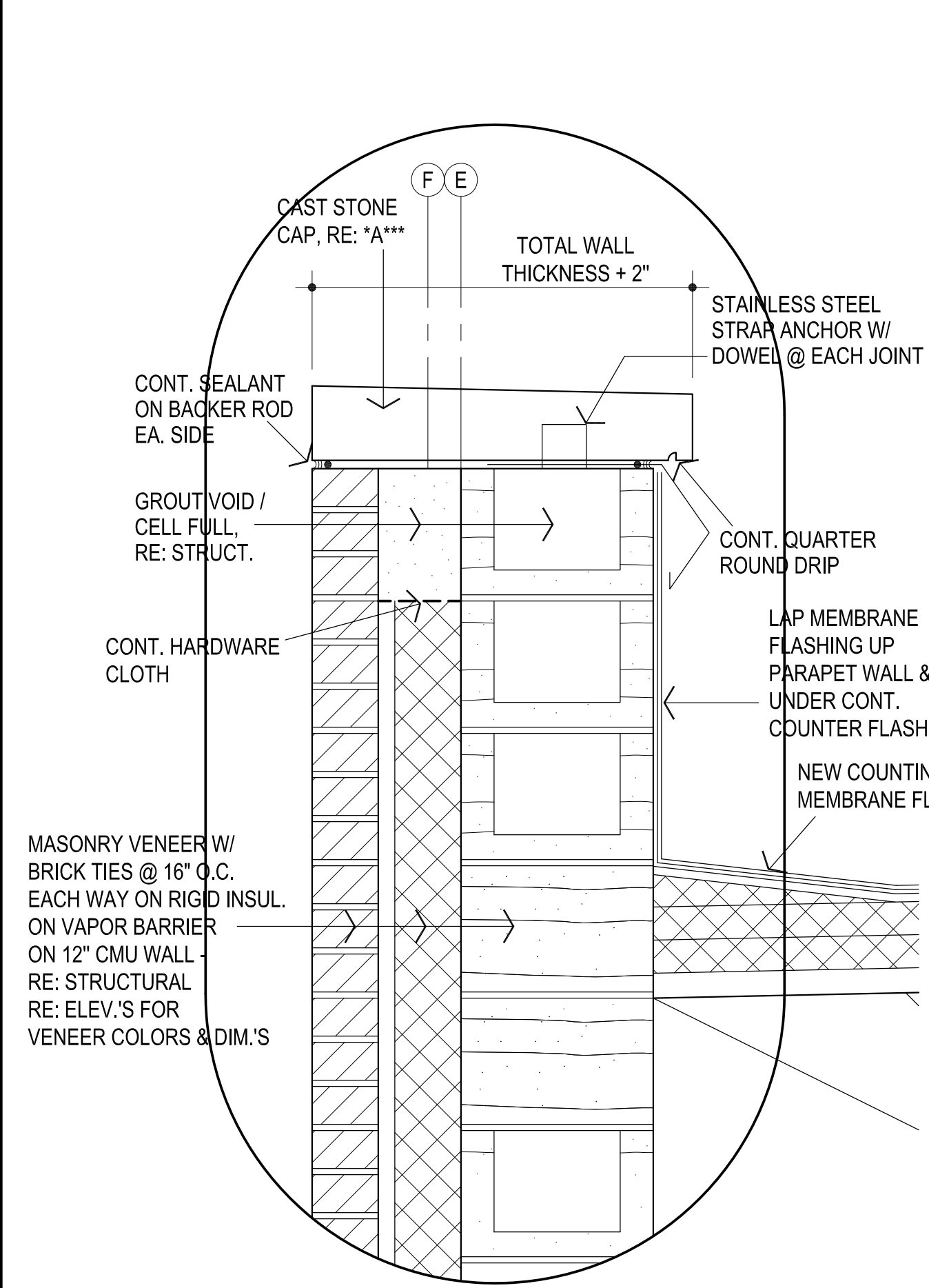
CG	drawn by
MA	checked by
NOVEMBER 2025	date
	revisions



OLD SCHOOL REPLACEMENT

sheet no:
A306

OWNERSHIP USE OF DOCUMENTS:
AGP EXPRESSLY RESERVES ITS COPYRIGHT AND OTHER PROPERTY RIGHTS OF ALL PLANS AND DRAWINGS DESIGNED AND/OR PRODUCED. PLANS AND DRAWINGS ARE NOT TO BE REPRODUCED IN ANY FORM OR MANNER WITHOUT THE EXPRESSED WRITTEN CONSENT OF AGP.



7 SECTION
3/4" = 1'-0"