



CG
drawn by
MA
checked by
NOVEMBER 2025
date
revisions



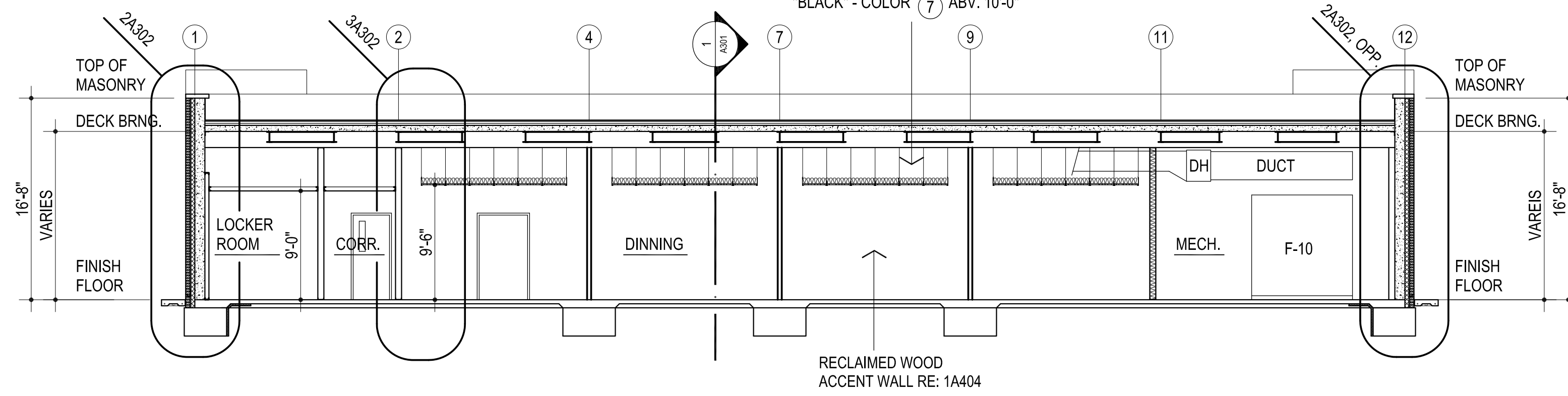
OLD SCHOOL
REPLACEMENT

sheet no:

A302

OWNERSHIP USE OF DOCUMENTS:
AGP EXPRESSLY RESERVES ITS
COPYRIGHT AND OTHER PROPERTY
RIGHTS OF ALL PLANS AND DRAWINGS
DESIGNED AND/OR PRODUCED. PLANS
AND DRAWINGS ARE NOT TO BE
REPRODUCED IN ANY FORM OR MANNER
WITHOUT THE EXPRESSED WRITTEN
CONSENT OF AGP.

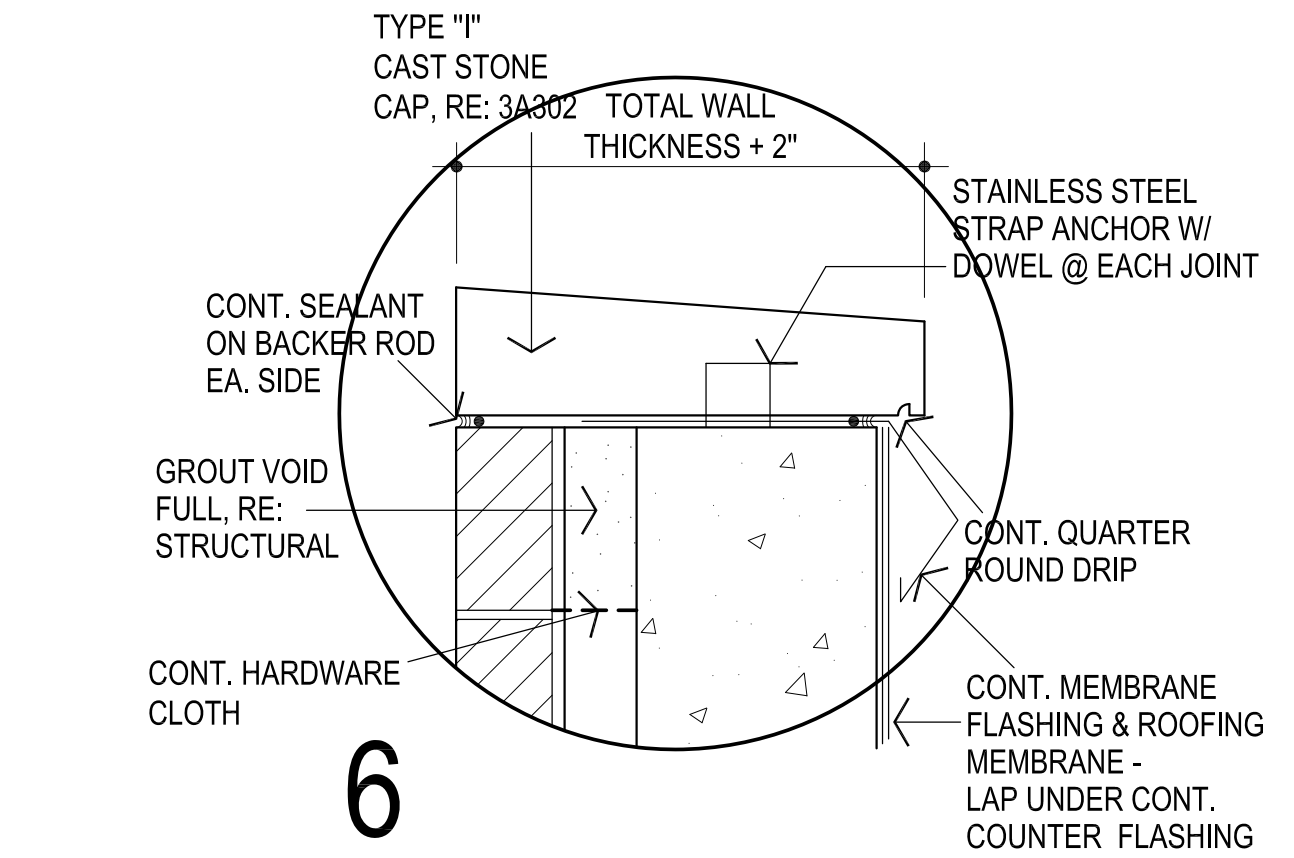
AT ENTIRE ROOM # 121 DINING ALL PERIMETER
GYP BD WALL CLOSE OUT TO STRUCTURE /
ROOF DECK ABOVE. - PAINT GYP. BD. WALLS,
STRUCTURE, DUCTWORK, CONDUIT, ETC.
"BLACK" - COLOR 7 ABV. 10'-0"



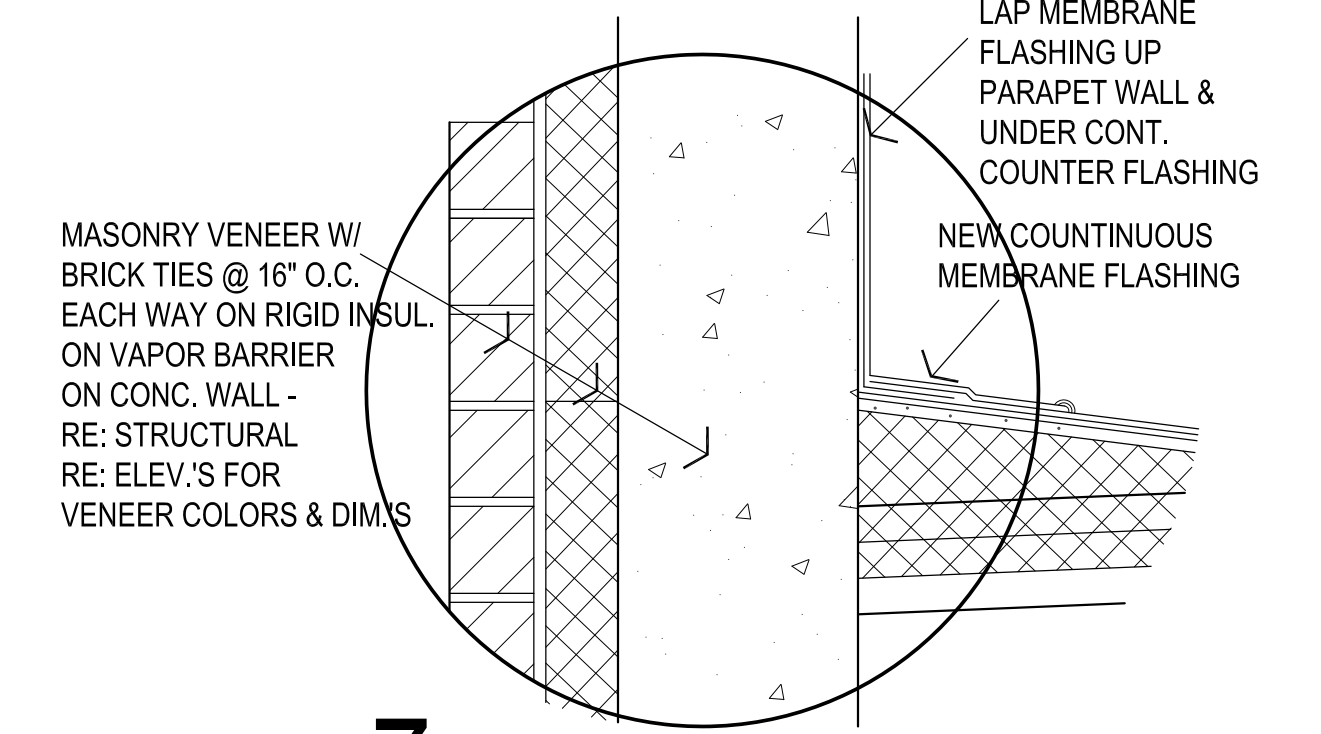
1 BUILDING SECTION
1/8" = 1'-0"

GENERAL NOTES:

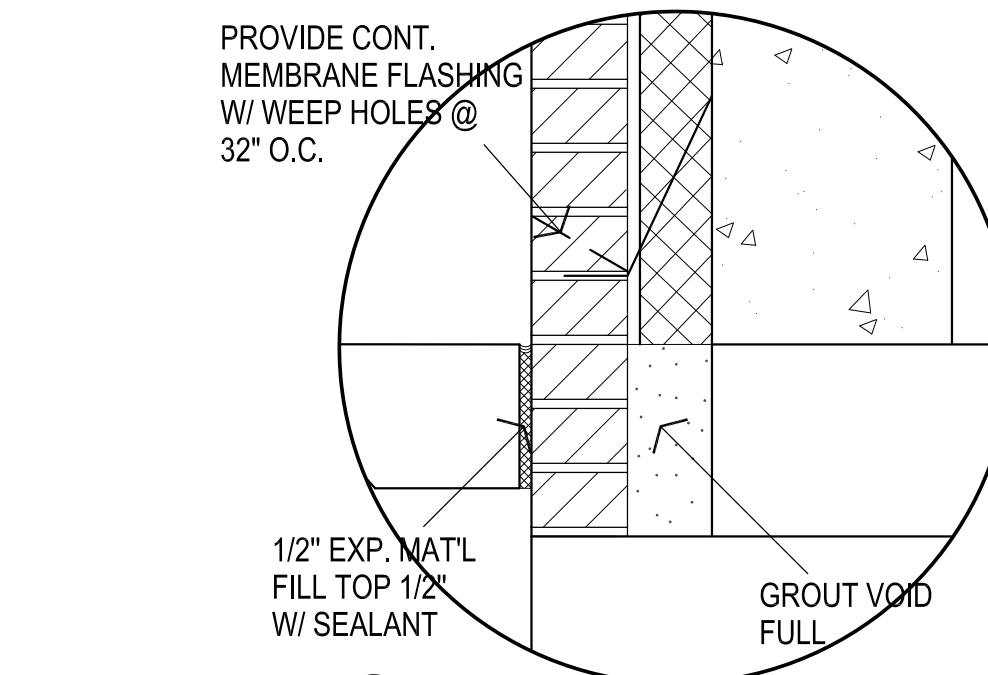
- REFER STRUCTURAL DRAWINGS FOR TOP OF FOOTING ELEVATIONS - PROVIDE ALL MATERIALS REQUIRED FOR WALL SYSTEM TO EXTEND TO TOP OF FOOTING
- DO NOT SCALE DRAWINGS TO OBTAIN MATERIAL QUANTITIES. USE DRAWINGS WHICH ARE DIMENSIONED OR COORDINATE W/ EXISTING CONDITIONS &/OR ARCHITECT & ENGINEERS.
- PROVIDE LABELING AS PER IBC 703.7 MARKING AND IDENTIFICATION. BE LOCATED WITHIN 15 FEET (4572 MM) OF THE END OF EACH WALL AND AT INTERVALS NOT EXCEEDING 30 FEET (9144 MM) MEASURED HORIZONTALLY ALONG THE WALL OR PARTITION. INCLUDE LETTERING NOT LESS THAN 3 INCHES (76 MM) IN HEIGHT WITH A MINIMUM 3/8-INCH (9.5 MM) STROKE IN A CONTRASTING COLOR INCORPORATING THE SUGGESTED WORDING, "FIRE AND/OR SMOKE BARRIER - PROTECT ALL OPENINGS" OR OTHER WORDING.
- RE: SHEET A100 & A101 FOR PARTITIONS REQUIRED TO CLOSE-OUT TO BOTTOM OF DECKING OR STRUCTURE ABOVE.



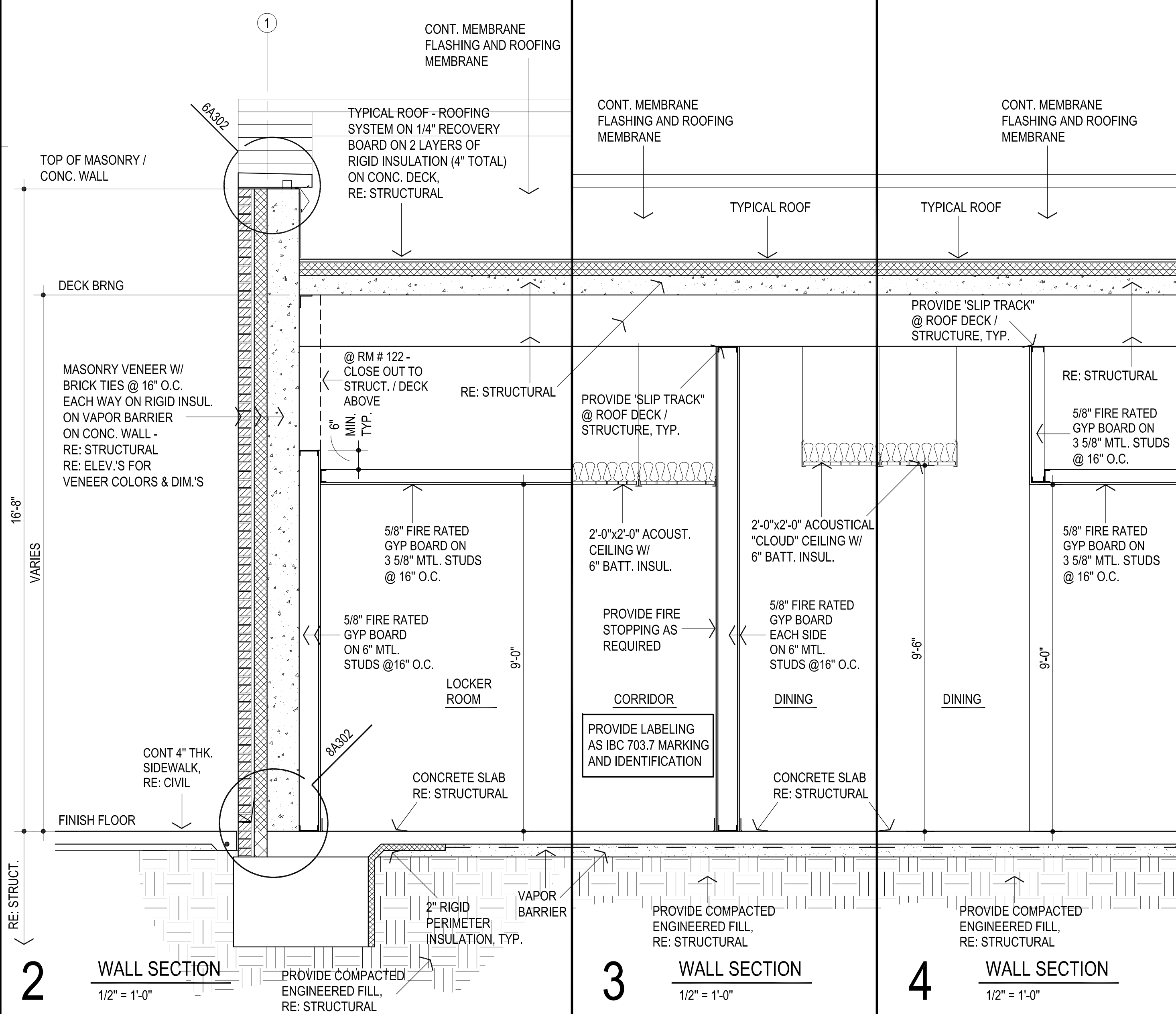
6



7



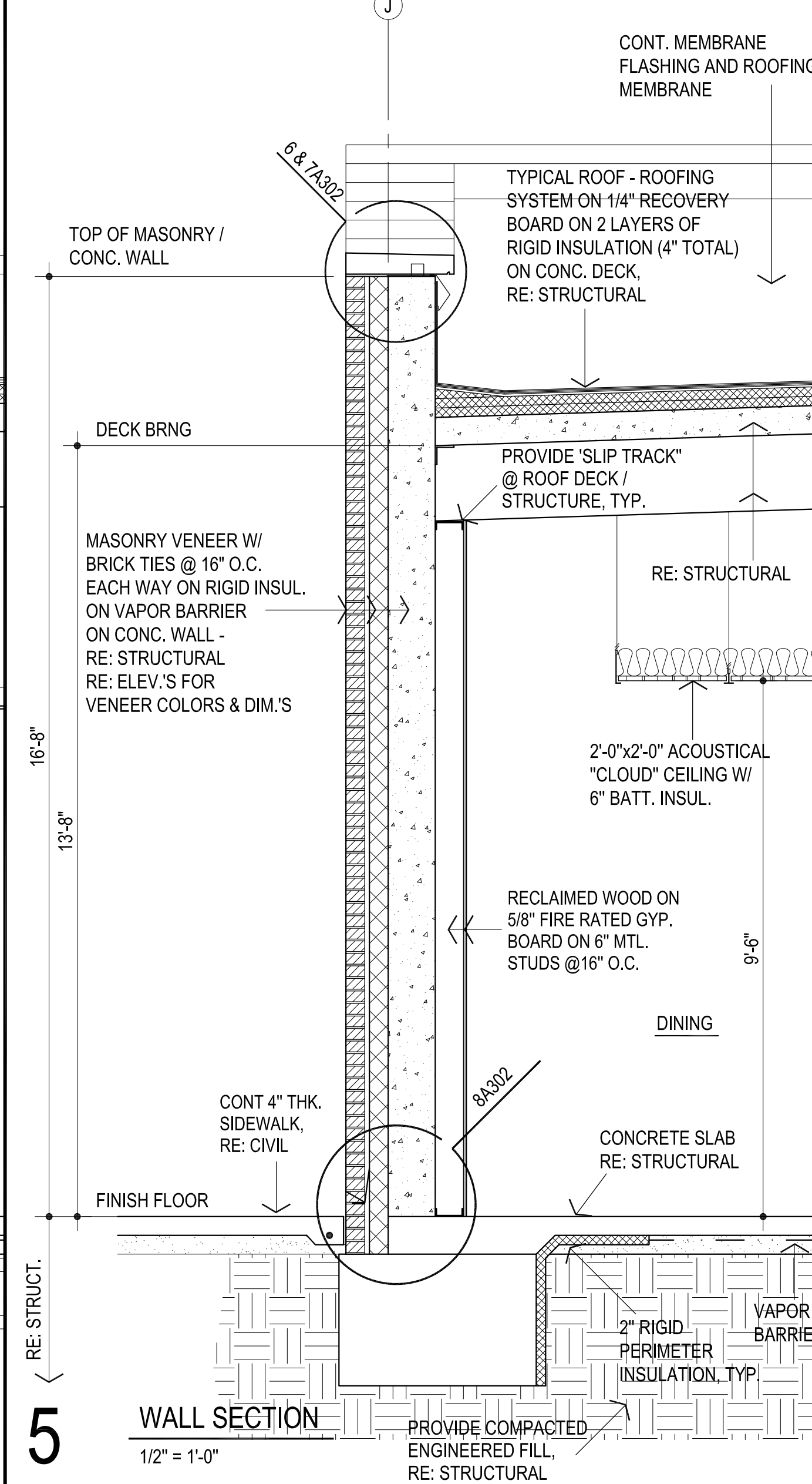
8



2 WALL SECTION
1/2" = 1'-0"

3 WALL SECTION
1/2" = 1'-0"

4 WALL SECTION
1/2" = 1'-0"



5 WALL SECTION
1/2" = 1'-0"