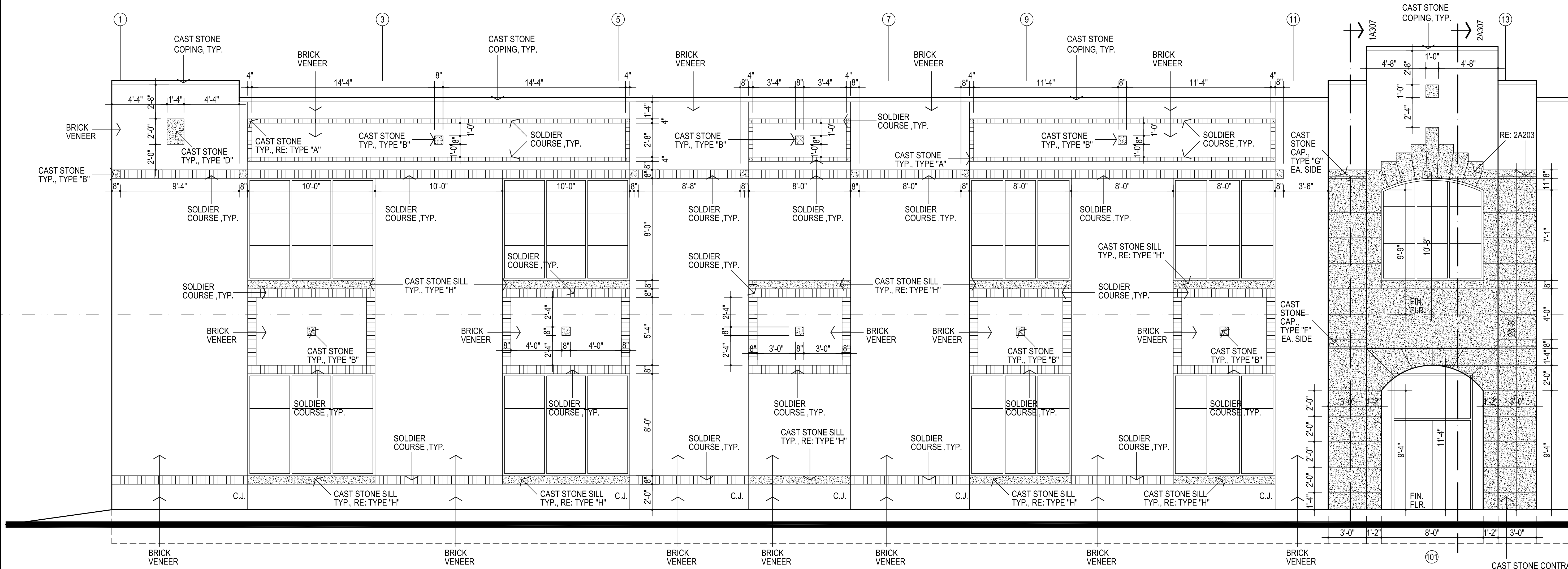


*Michael L. Abila*  
12/1/25

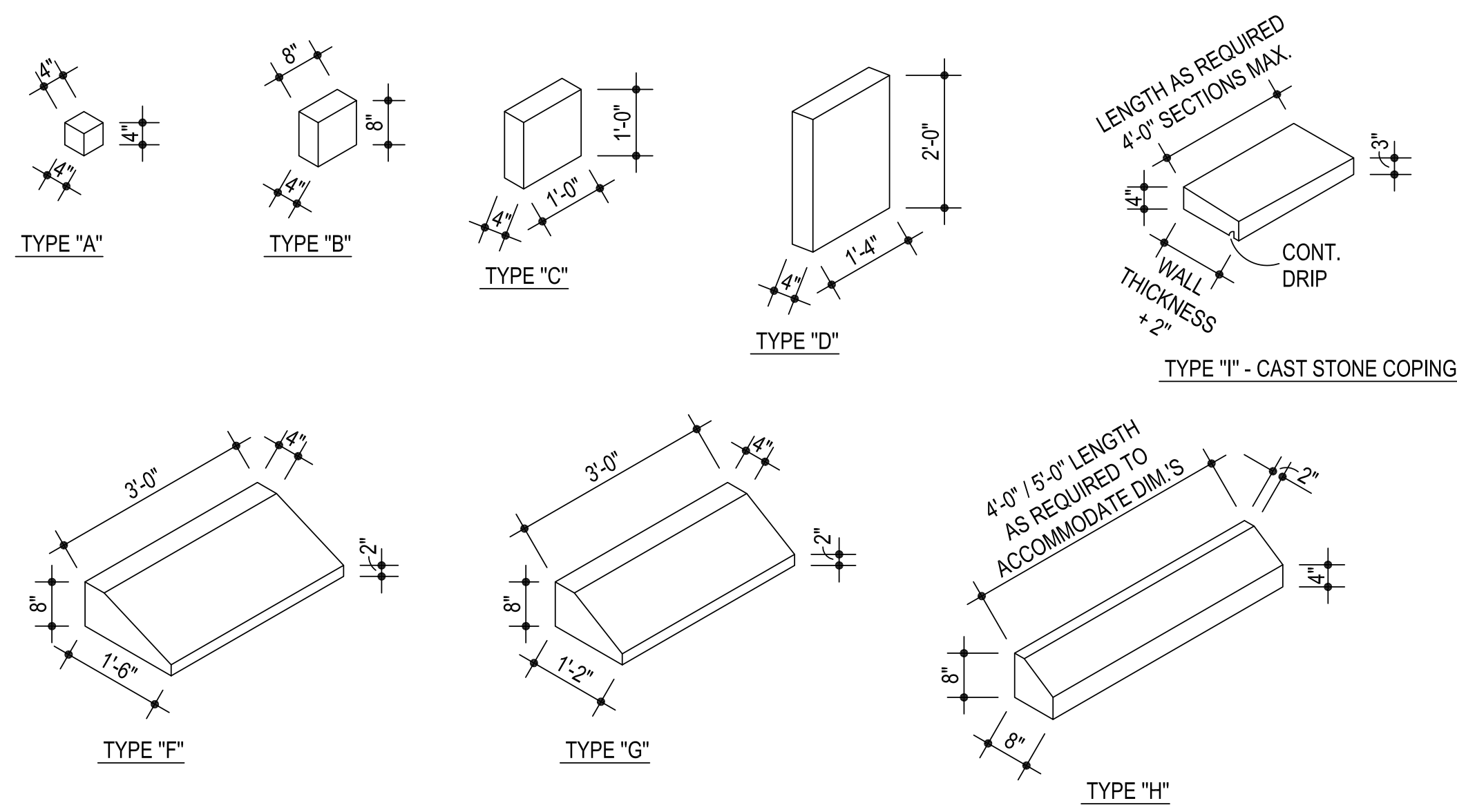


### 1 PARTIAL EAST ELEVATION

1/4" = 1'-0"

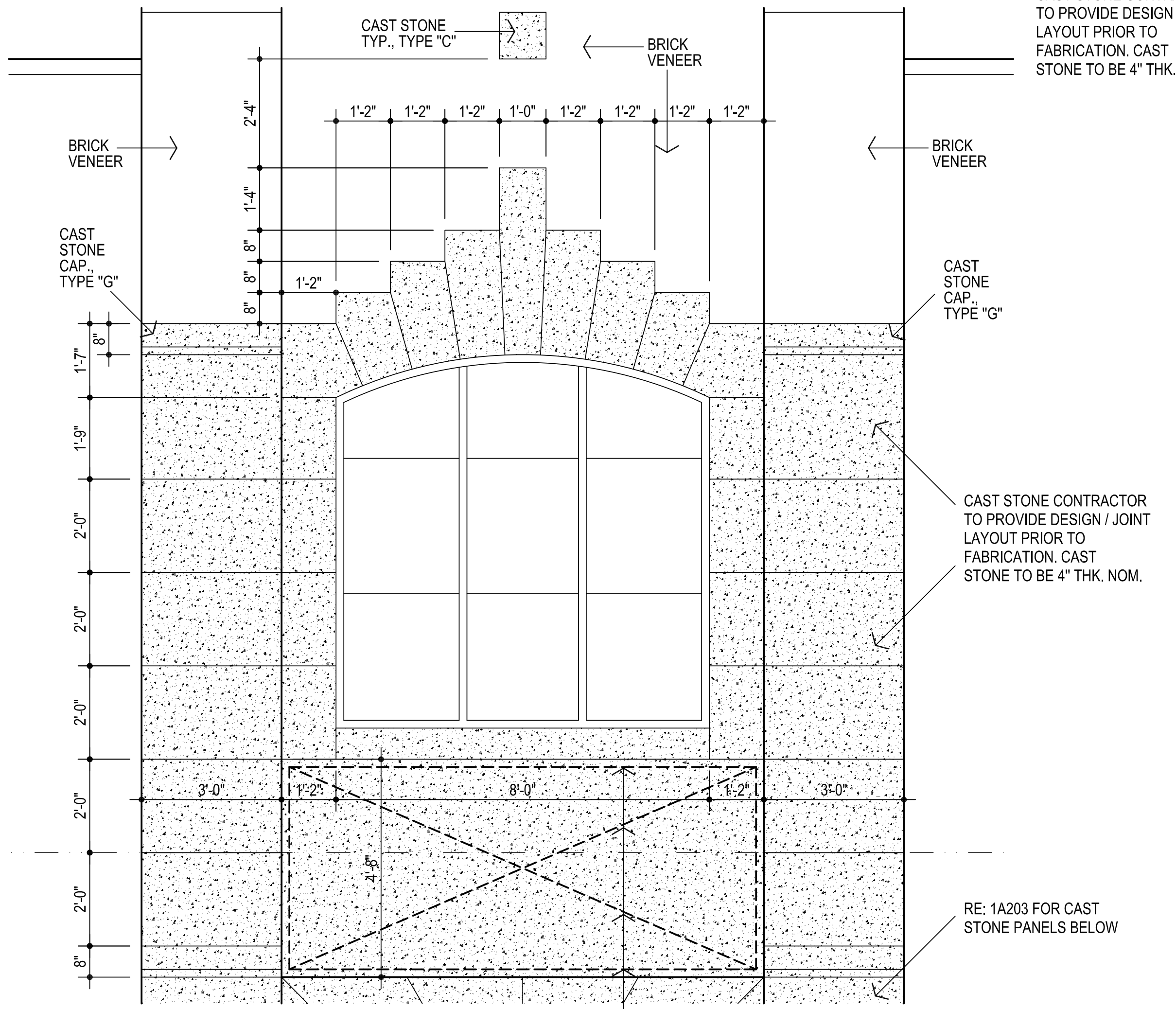
#### GENERAL NOTES:

- REFER STRUCTURAL DRAWINGS FOR TOP OF FOOTING ELEVATIONS - PROVIDE ALL MATERIALS REQUIRED FOR WALL SYSTEM TO EXTEND TO TOP OF FOOTING
- DO NOT SCALE DRAWINGS TO OBTAIN MATERIAL QUANTITIES. USE DRAWINGS WHICH ARE DIMENSIONED OR COORDINATE W/ EXISTING CONDITIONS &/OR ARCHITECT & ENGINEERS.
- RE: SHEET A201 & A202 FOR ADDITIONAL INFORMATION
- RE: SHEET A202 FOR ADDITIONAL INFORMATION CONCERNING EXP. & CONTROL JT'S @ MASONRY EXTERIORS.



### 3 CAST STONE

1/2" = 1'-0"



### 2 CAST STONE ENLARGED ELEVATION

1/2" = 1'-0"

LOCATION OF EXISTING CAST STONE PANEL / SIGN FROM EXISTING BUILDING. MODIFY AS NECESSARY FOR A COMPLETE INSTALLATION. COORDINATE WITH ARCHITECT.

CAST STONE CONTRACTOR TO PROVIDE DESIGN / JOINT LAYOUT PRIOR TO FABRICATION. CAST STONE TO BE 4" THK. NOM.

CAST STONE CONTRACTOR TO PROVIDE DESIGN / JOINT LAYOUT PRIOR TO FABRICATION. CAST STONE TO BE 4" THK. NOM.

RE: 1A203 FOR CAST STONE PANELS BELOW

CG	drawn by
MA	checked by
NOVEMBER 2025	date
	revisions



OLD SCHOOL REPLACEMENT

sheet no:

## A203

ELEVATIONS

OWNERSHIP USE OF DOCUMENTS:  
AGP EXPRESSLY RESERVES ITS COPYRIGHT AND OTHER PROPERTY RIGHTS OF ALL PLANS AND DRAWINGS DESIGNED AND/OR PRODUCED. PLANS AND DRAWINGS ARE NOT TO BE REPRODUCED IN ANY FORM OR MANNER WITHOUT THE EXPRESSED WRITTEN CONSENT OF AGP.