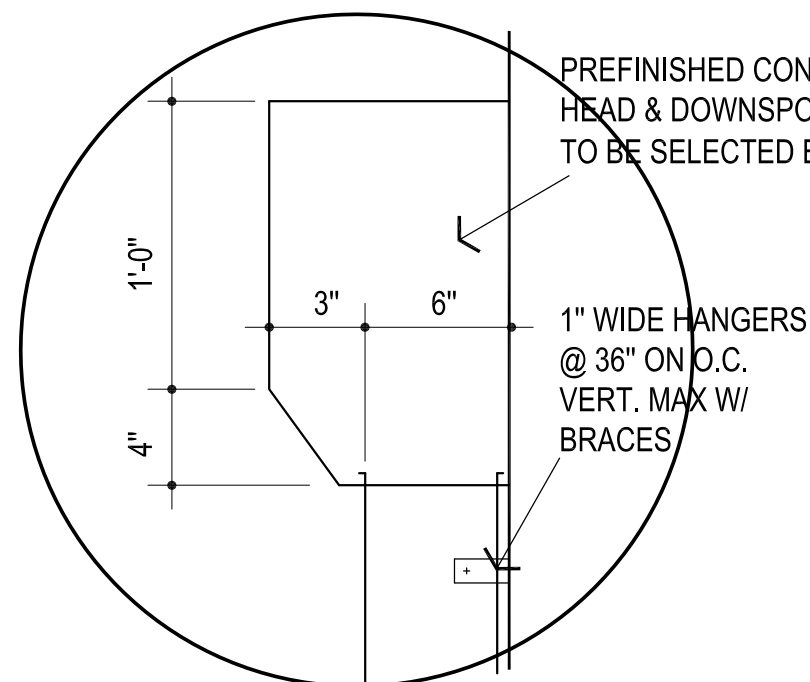
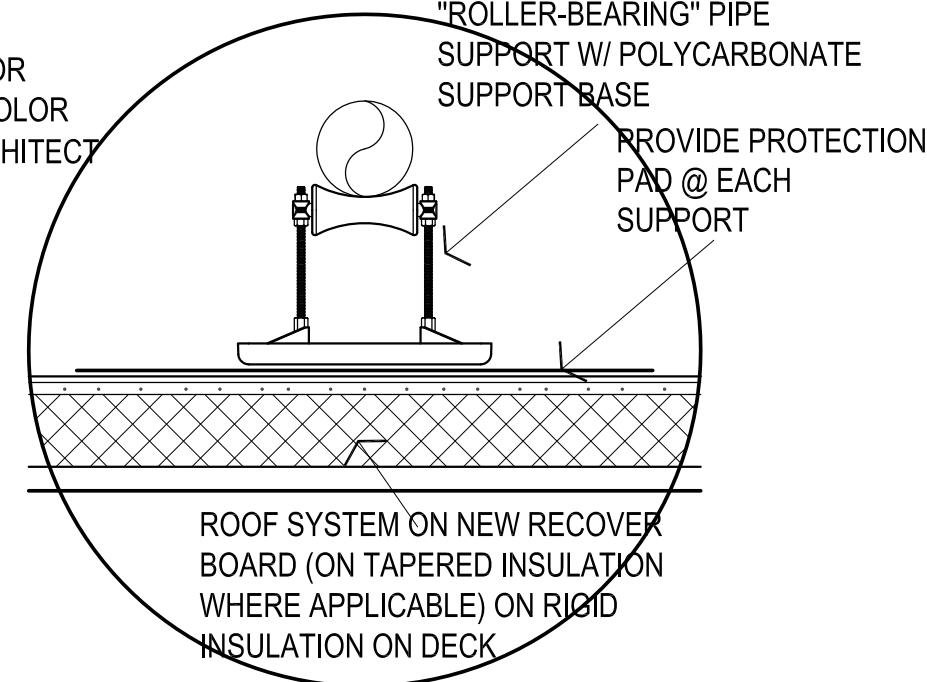


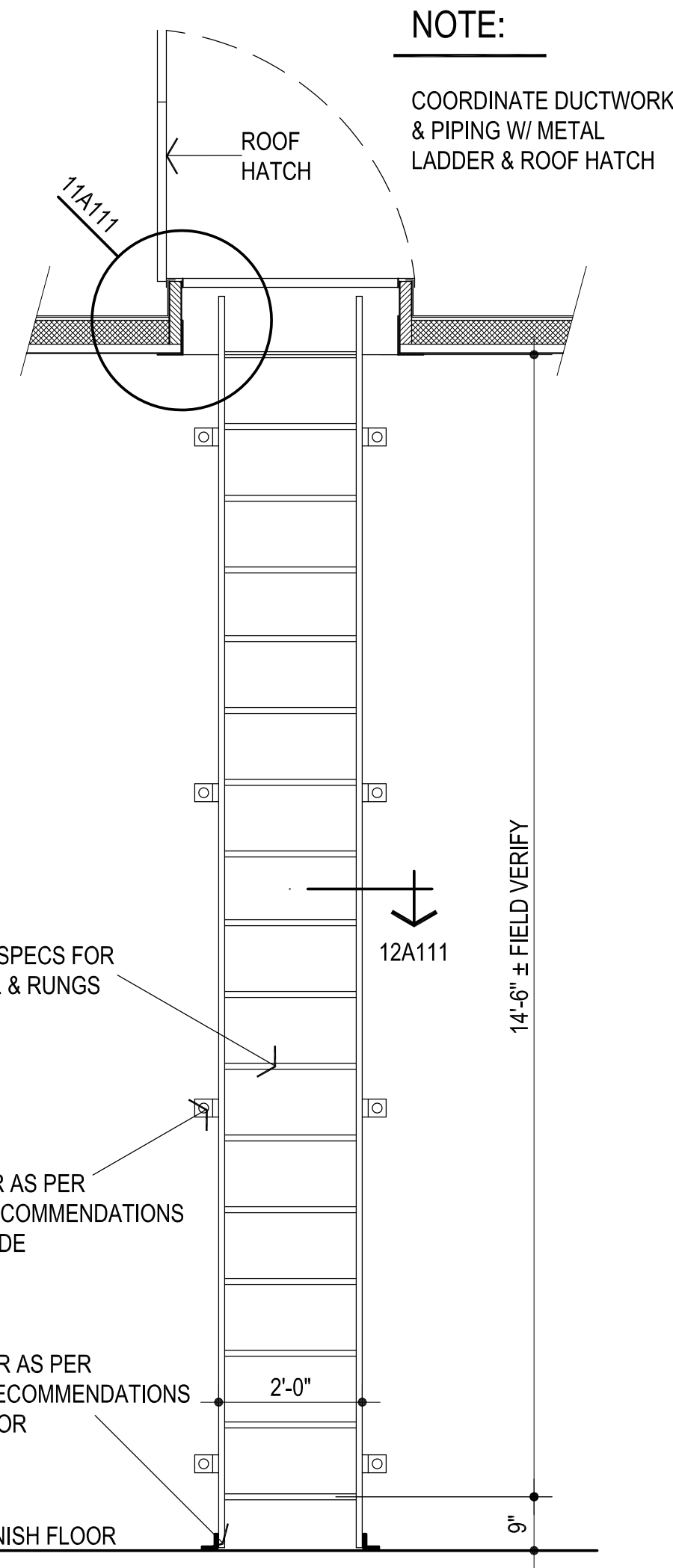
**2** COND. HEAD - FRONT



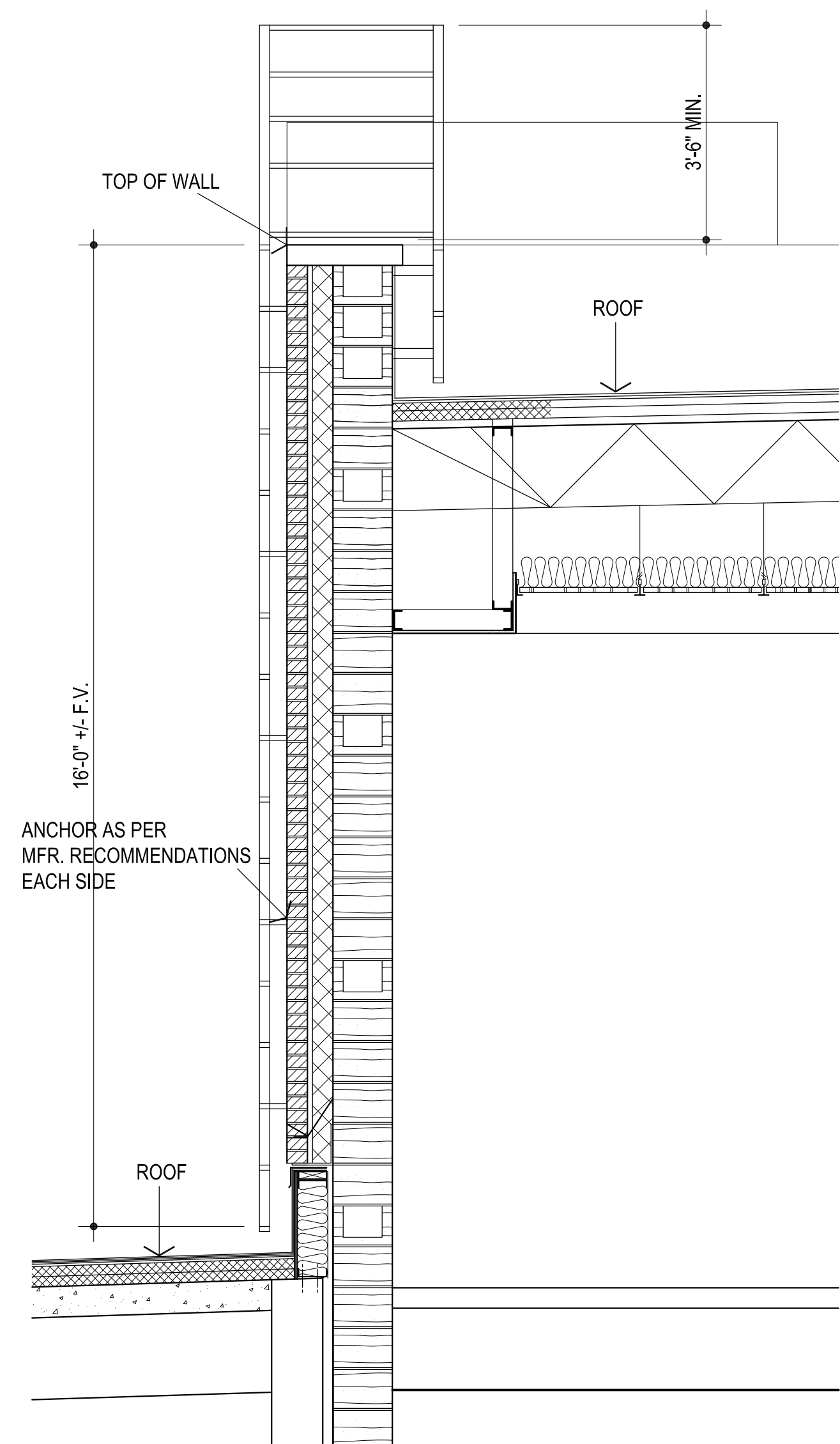
**3** COND. HEAD - SIDE



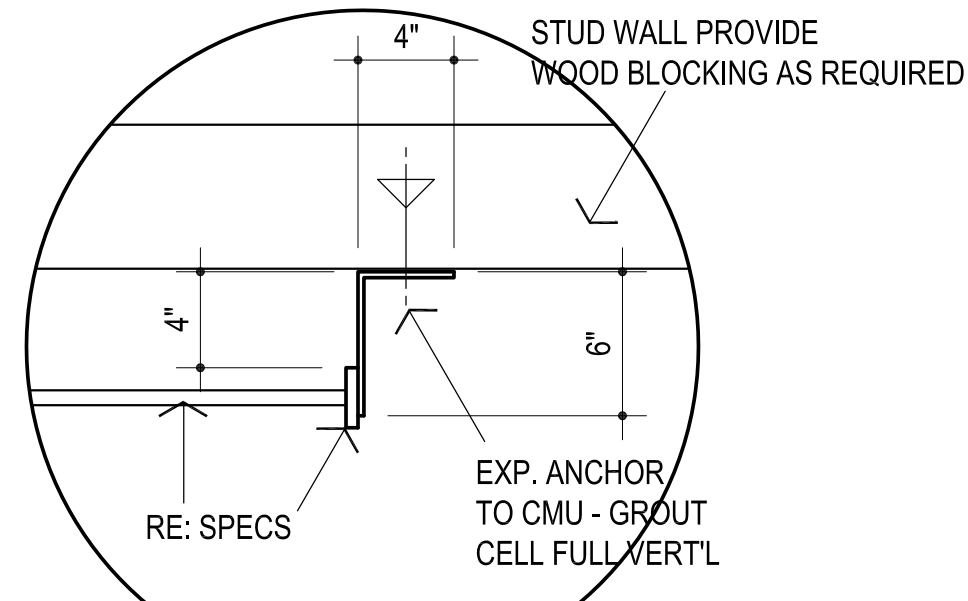
**4** ADJUSTABLE PIPE SUPPORTS - FRONT VIEW



**1** INTERIOR ALUMINUM LADDER DETAIL  
1/2" = 1'-0"

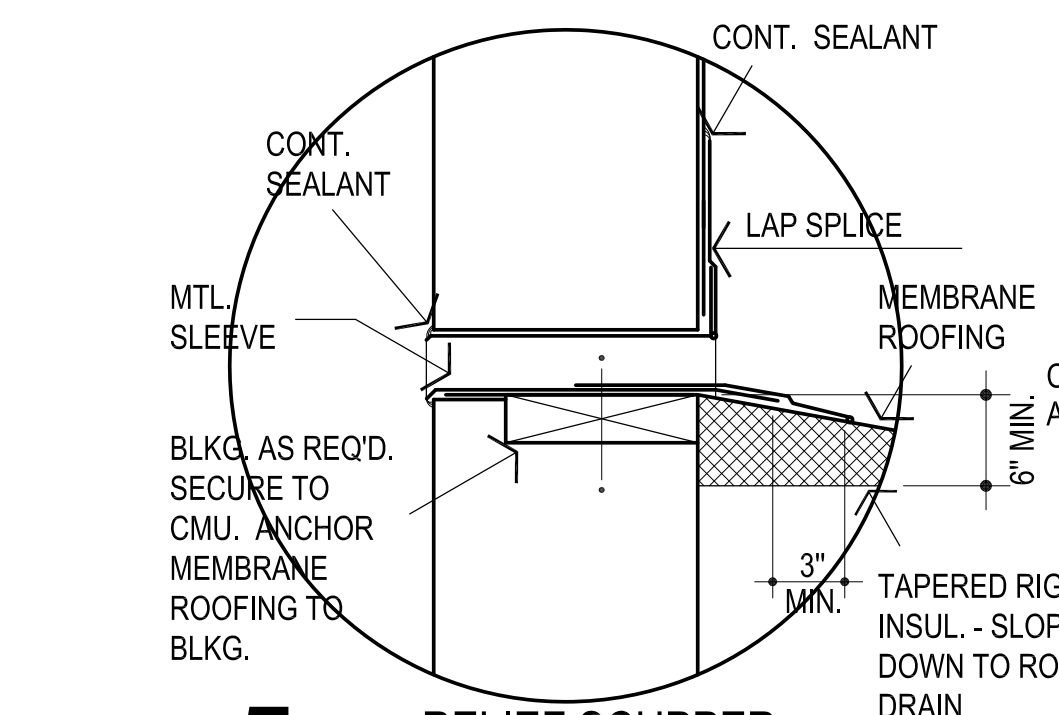


**13** EXTERIOR ALUMINUM LADDER DETAIL  
1/2" = 1'-0"

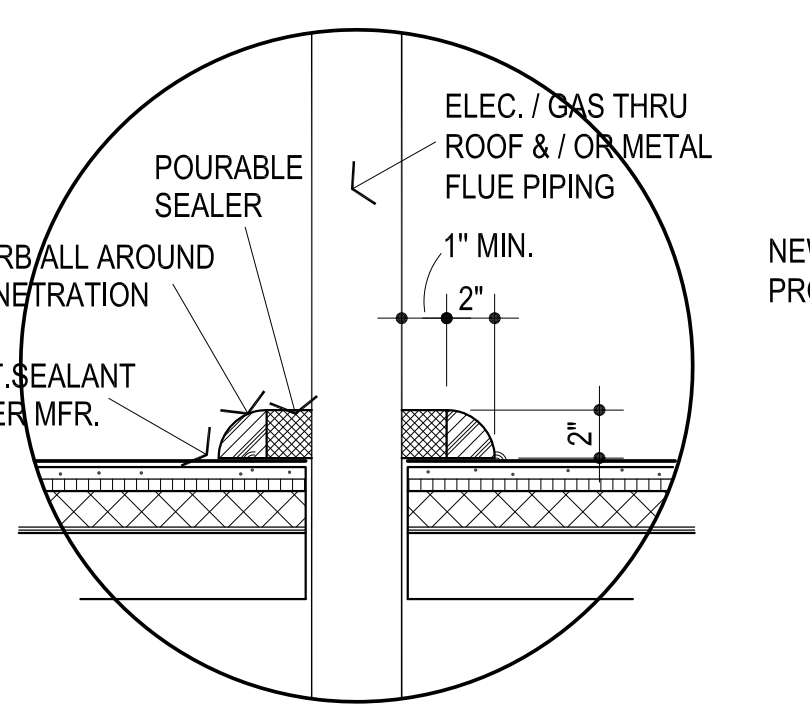


**12** LADDER MOUNTING DETAIL

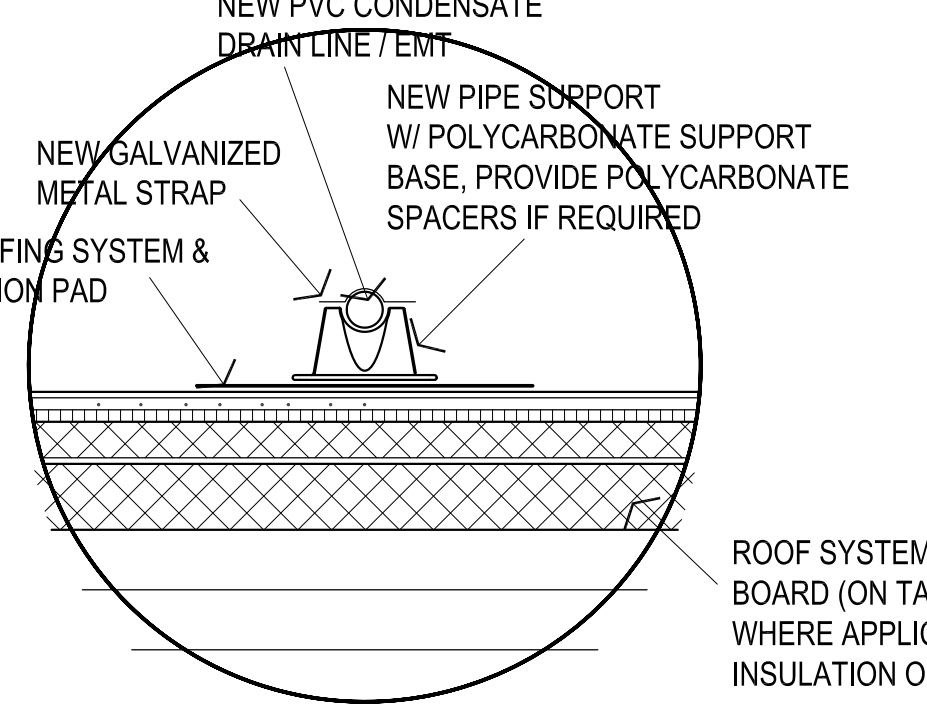
ADJUST AS NECESSARY TO ACCOMMODATE ACTUAL FIELD CONDITIONS



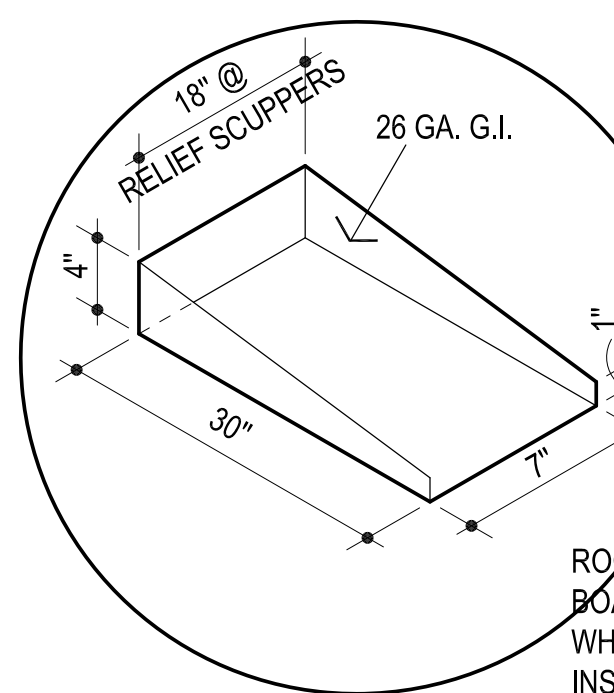
**5** RELIEF SCUPPER  
NOT TO SCALE



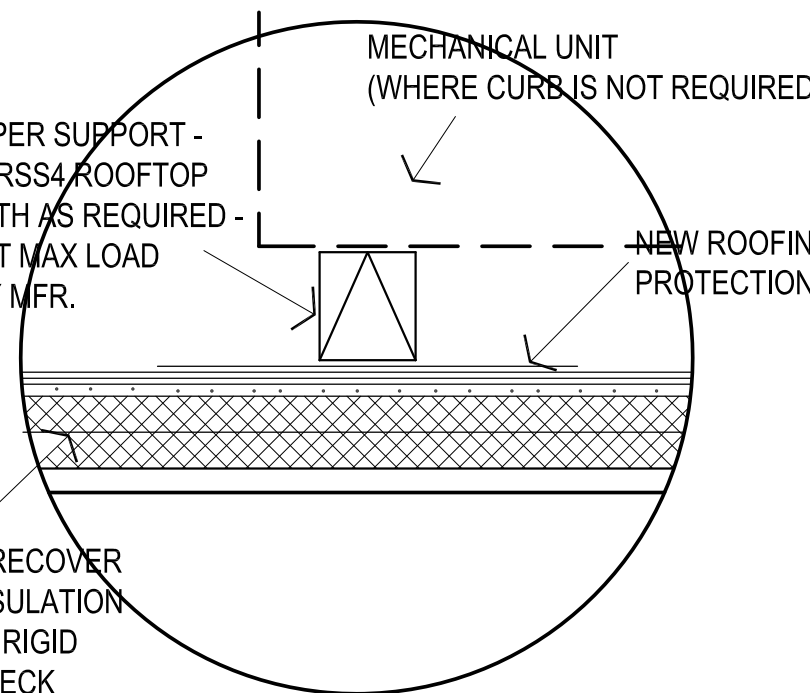
**6** PENETRATION DAM / SEALER POCKET @ MAJOR PENETRATIONS



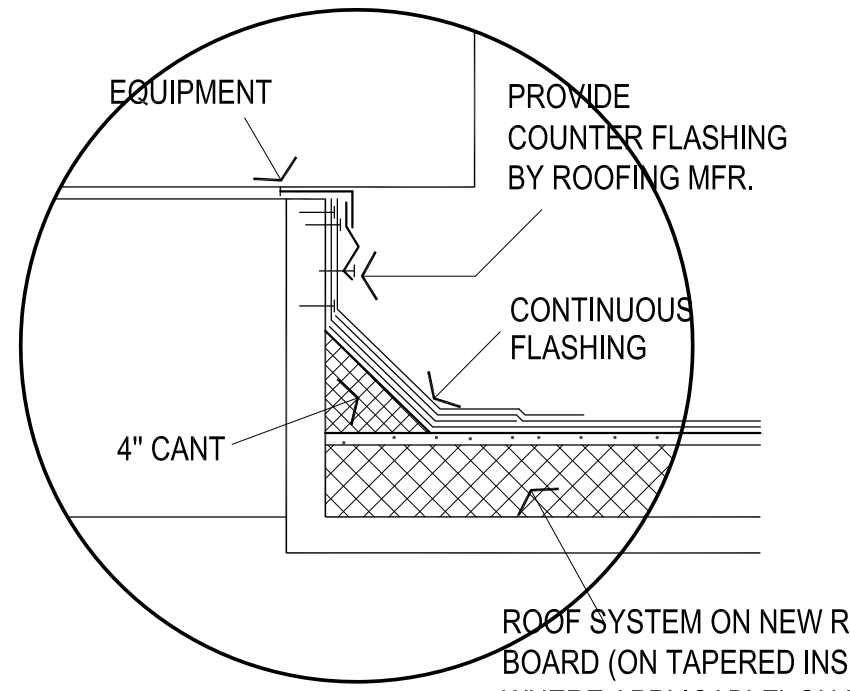
**7** DETAIL @ PVC / EMT SUPPORT



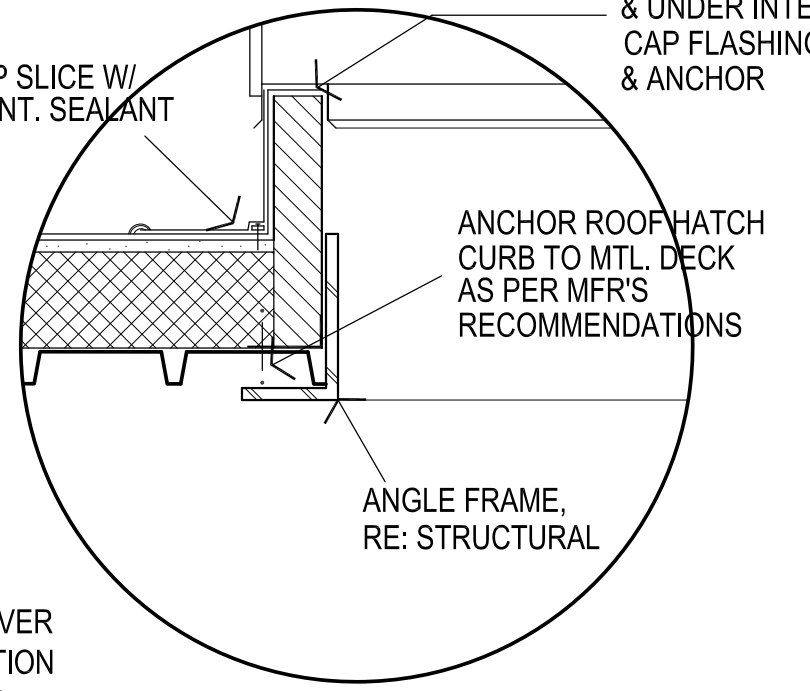
**8** SPLASH PAN  
NO SCALE



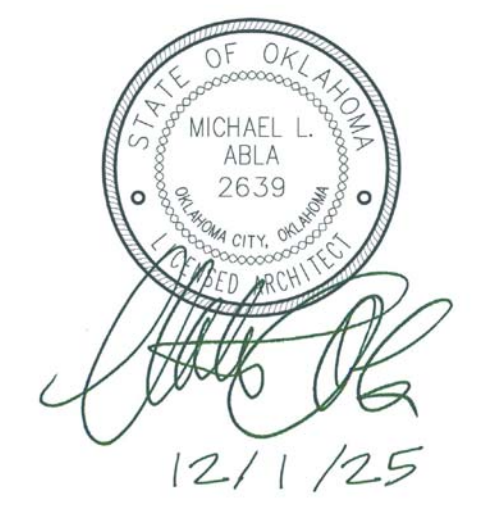
**9** MECH. UNIT SUPPORT  
NO SCALE



**10** MECH. CURB  
NO SCALE



**11** ROOF HATCH



CG	drawn by
MA	checked by
NOVEMBER 2025	date
	revisions