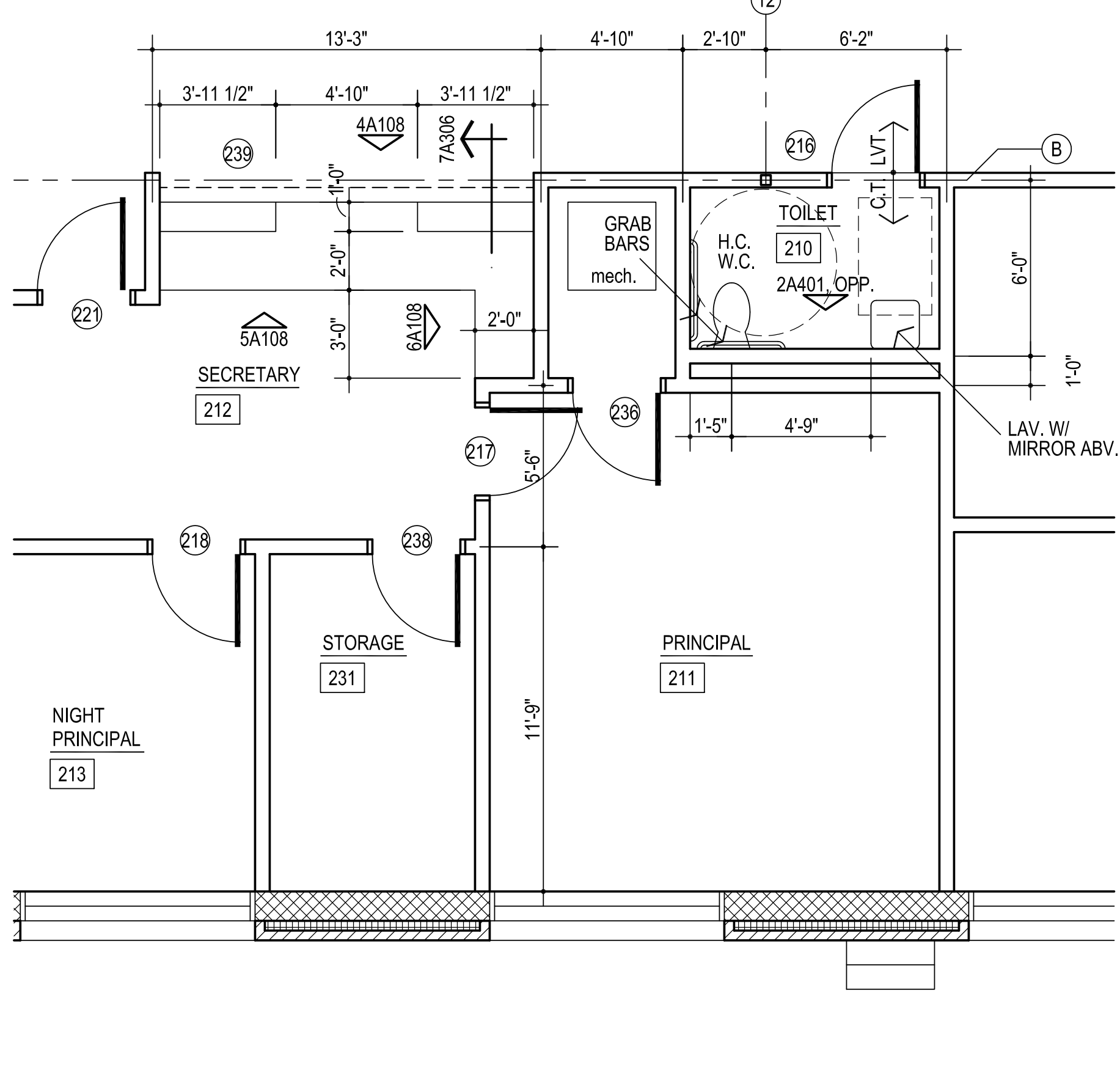
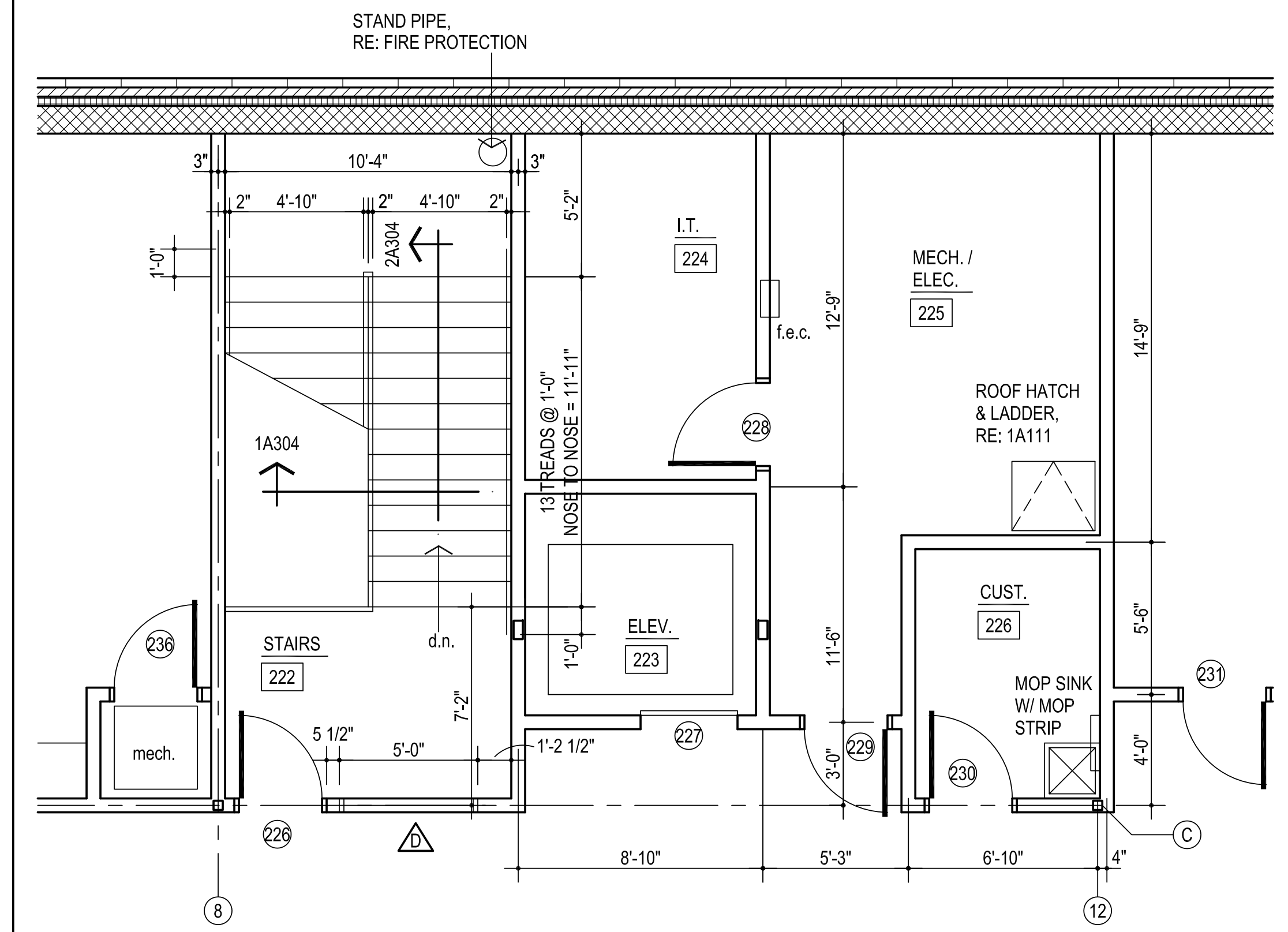


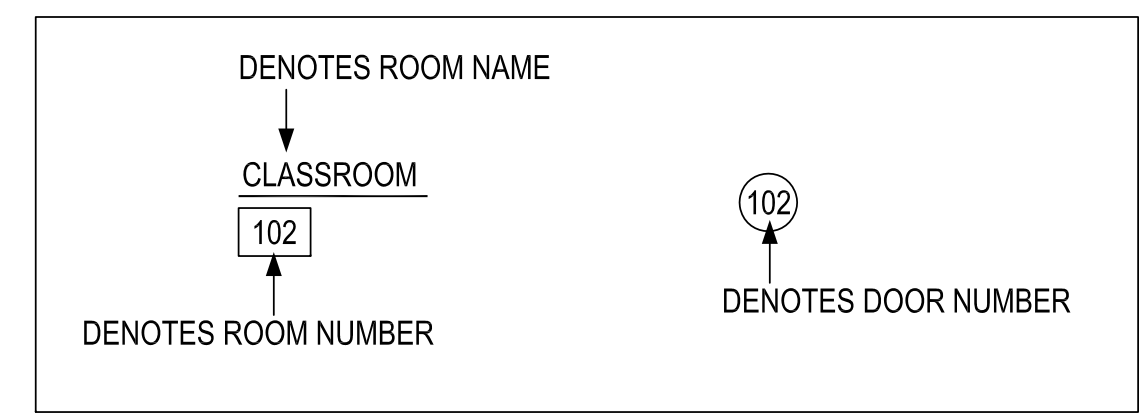
1 ENLARGED FLOOR PLAN
ROOM # 203, 203a, 203b, 204c, 204d, 204e & 204f
1/4" = 1'-0"



2 ENLARGED FLOOR PLAN
ROOM # 210 & 212
1/4" = 1'-0"

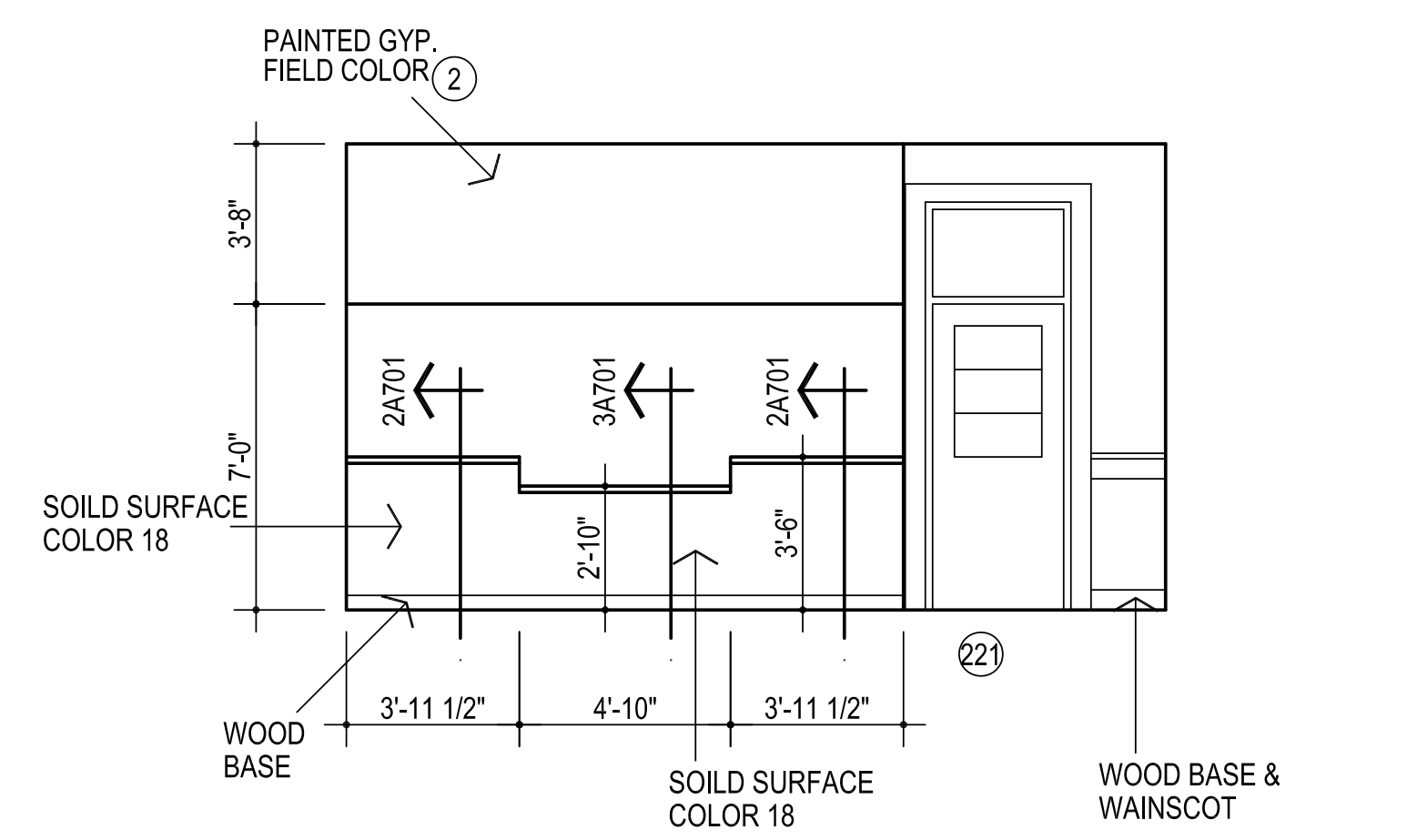


3 ENLARGED FLOOR PLAN
ROOM # 222, 223, 224, 225 & 226
1/4" = 1'-0"

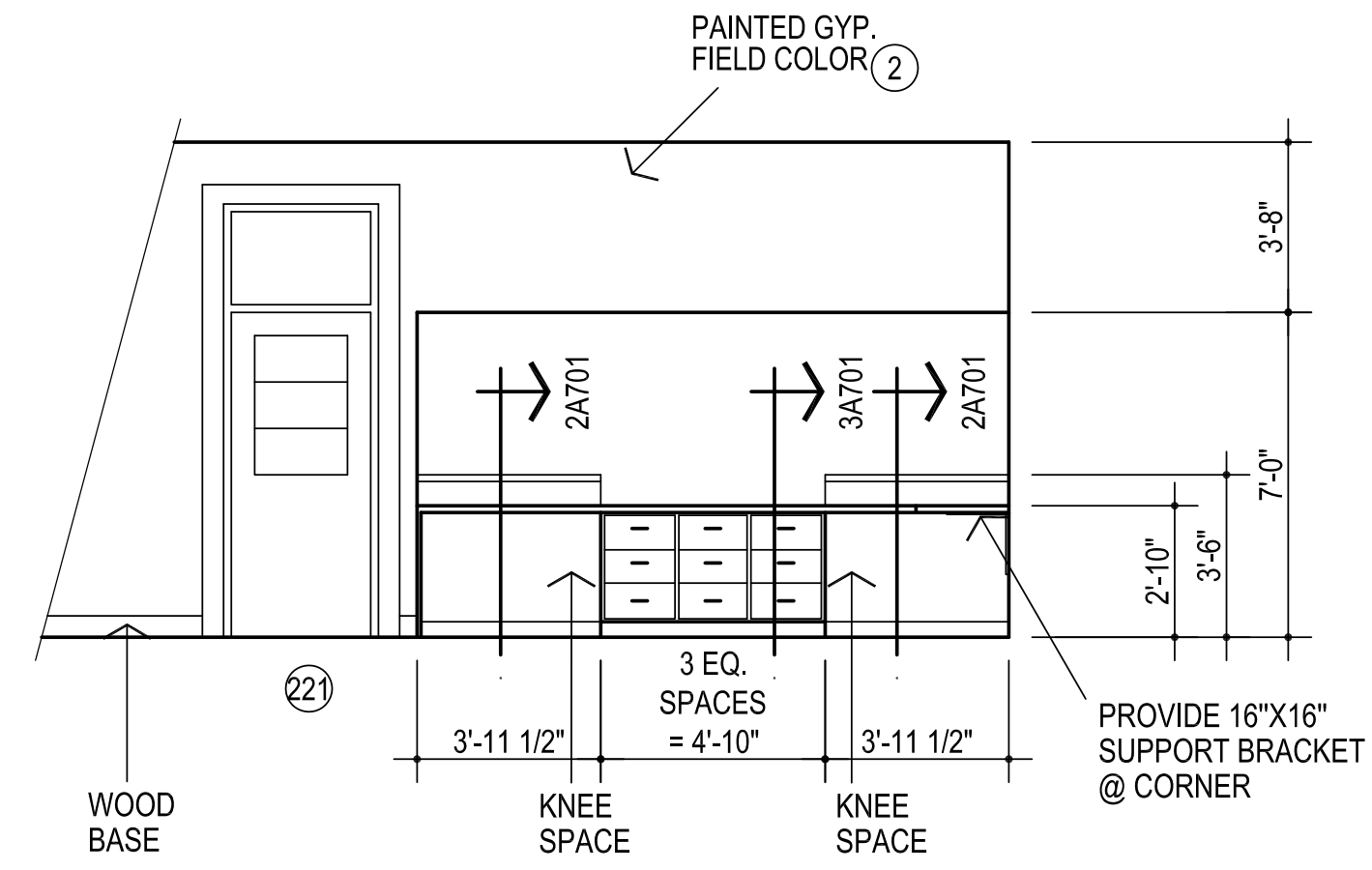


NOTE: CONTRACTOR TO VERIFY THAT THE MOUNTING HEIGHTS OF ALL WALL MOUNTED FIXTURES (I.E. PLUMBING FIXTURES, GRAB BARS, MIRRORS, ETC.) MEET ALL APPLICABLE CODES & STANDARDS PRIOR TO INSTALLATION.

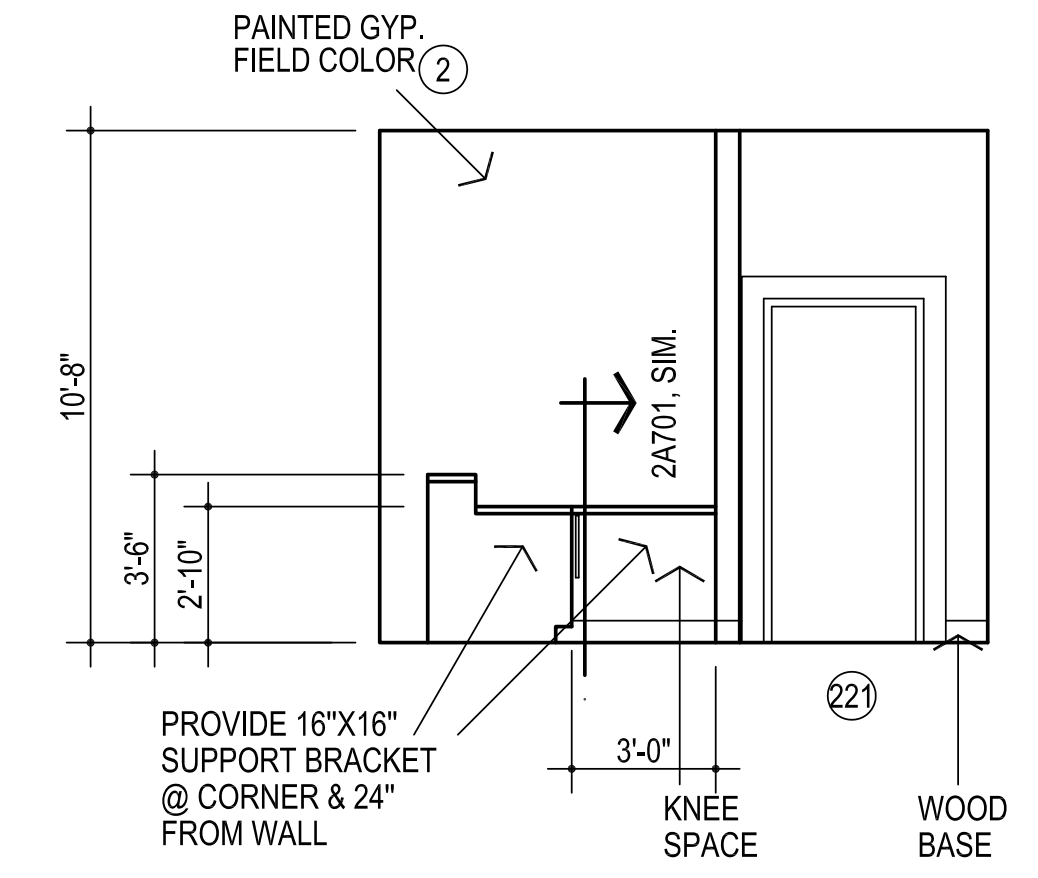
- MISCELLANEOUS NOTES:
1. F.E.C. - FIRE EXTINGUISHER AND CABINET
 2. DO NOT SCALE DRAWINGS TO OBTAIN MATERIAL QUANTITIES. USE DRAWINGS WHICH ARE DIMENSIONED OR COORDINATE W/ EXISTING CONDITIONS &/OR ARCHITECT & ENGINEERS.
 3. INTERIOR PARTITIONS ARE DIMENSIONED TO CENTER LINE



4 E. WALL ROOM #218
1/4" = 1'-0"



5 W. WALL ROOM #212
1/4" = 1'-0"



6 N. WALL ROOM #212
1/4" = 1'-0"



CG	_____
drawn by	_____
MA	_____
checked by	_____
NOVEMBER 2025	_____
date	_____
revisions	_____

