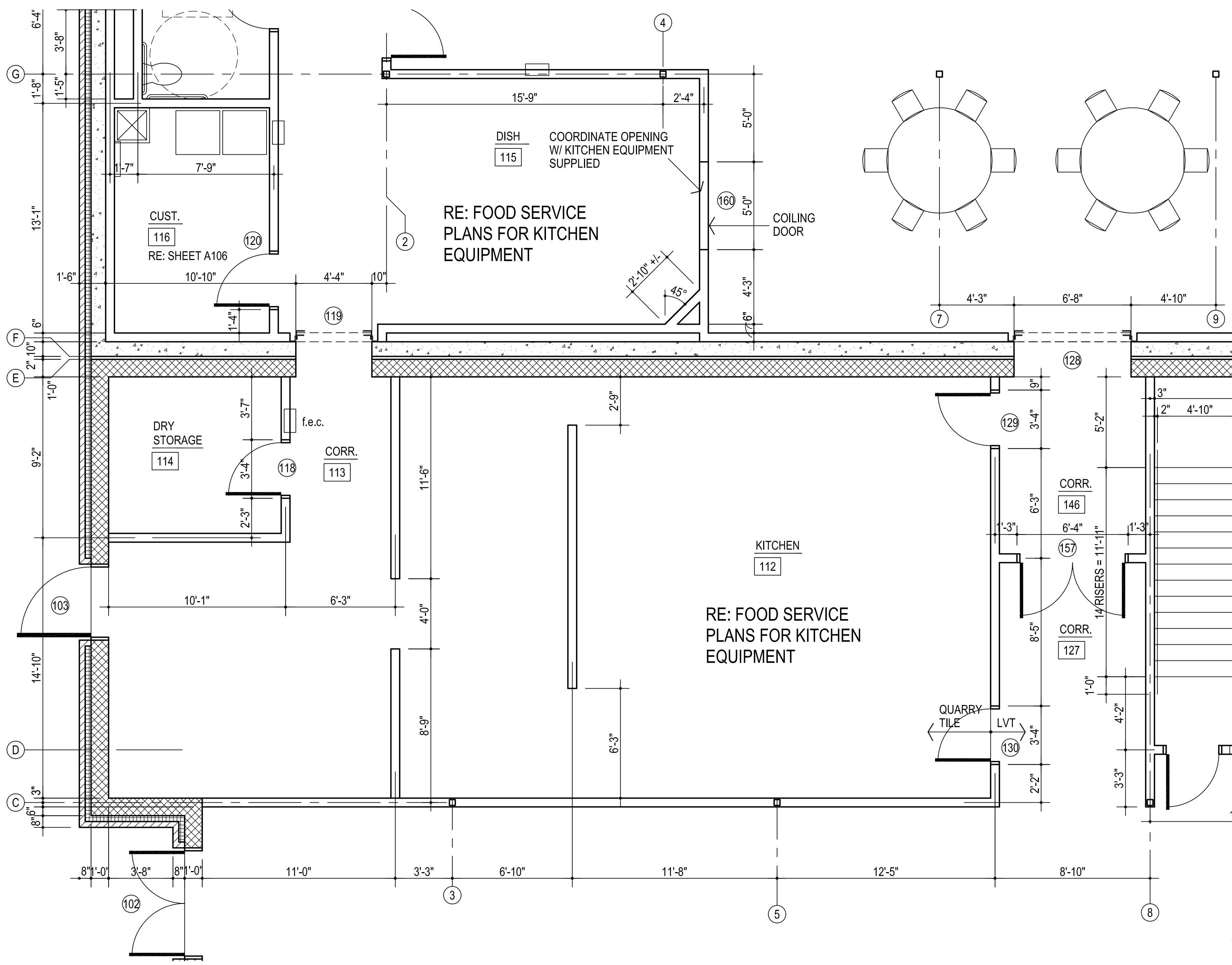




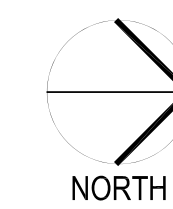
Michael L. Abila
12/1/25



1

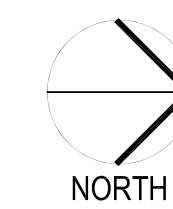
**ENLARGED FLOOR PLAN
ROOM # 112, 113, 114, 115 & 127**
1/4" = 1'-0"

COORDINATE UNDERSLAB, WALLS &
OPENINGS WITH KITCHEN EQUIPMENT DESIGN /
SUPPLIED PRIOR TO ANY INSTALLATION



2

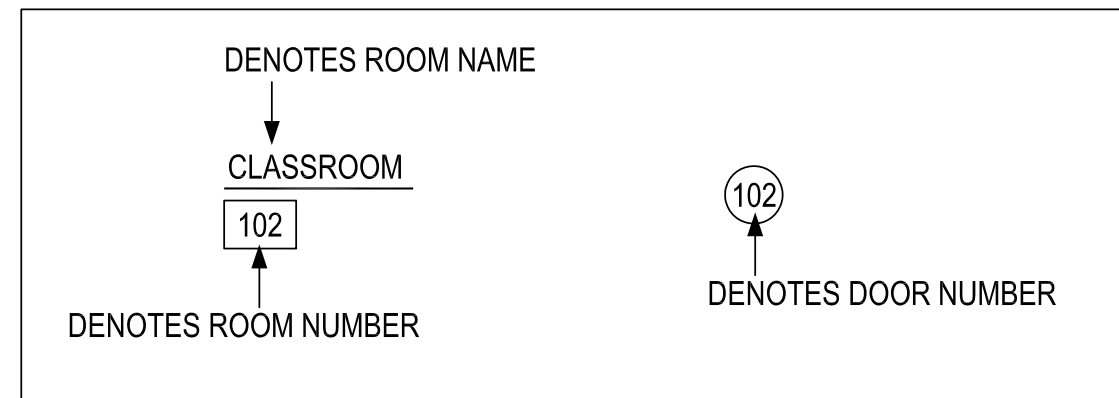
**ENLARGED FLOOR PLAN
ROOM # 101 & 102**
1/4" = 1'-0"



5

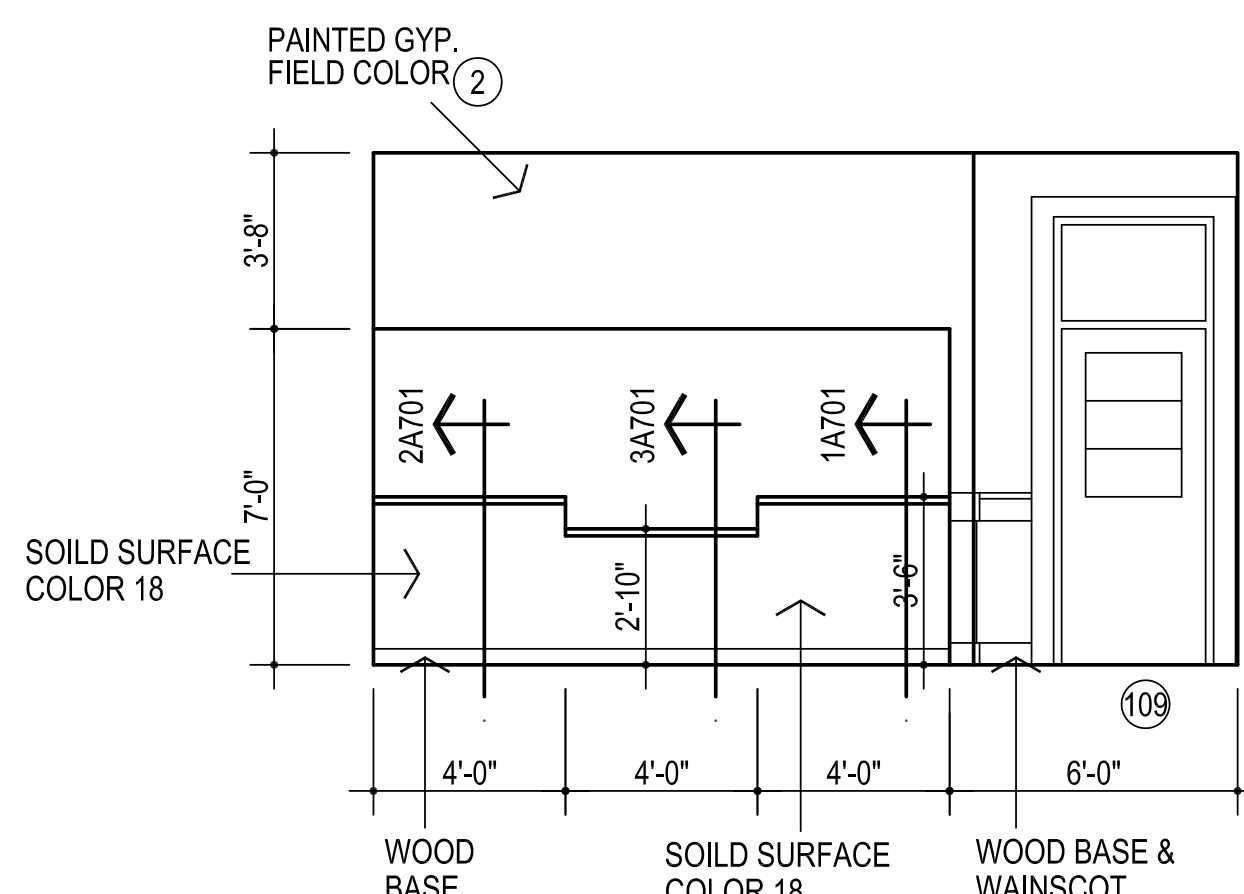
**ENLARGED FLOOR PLAN
CAST STONE DIMENSIONS**
1/4" = 1'-0"

NOTE: CONTRACTOR TO VERIFY THAT THE MOUNTING HEIGHTS OF ALL WALL MOUNTED FIXTURES (I.E. PLUMBING FIXTURES, GRAB BARS, MIRRORS, ETC.) MEET ALL APPLICABLE CODES & STANDARDS PRIOR TO INSTALLATION.



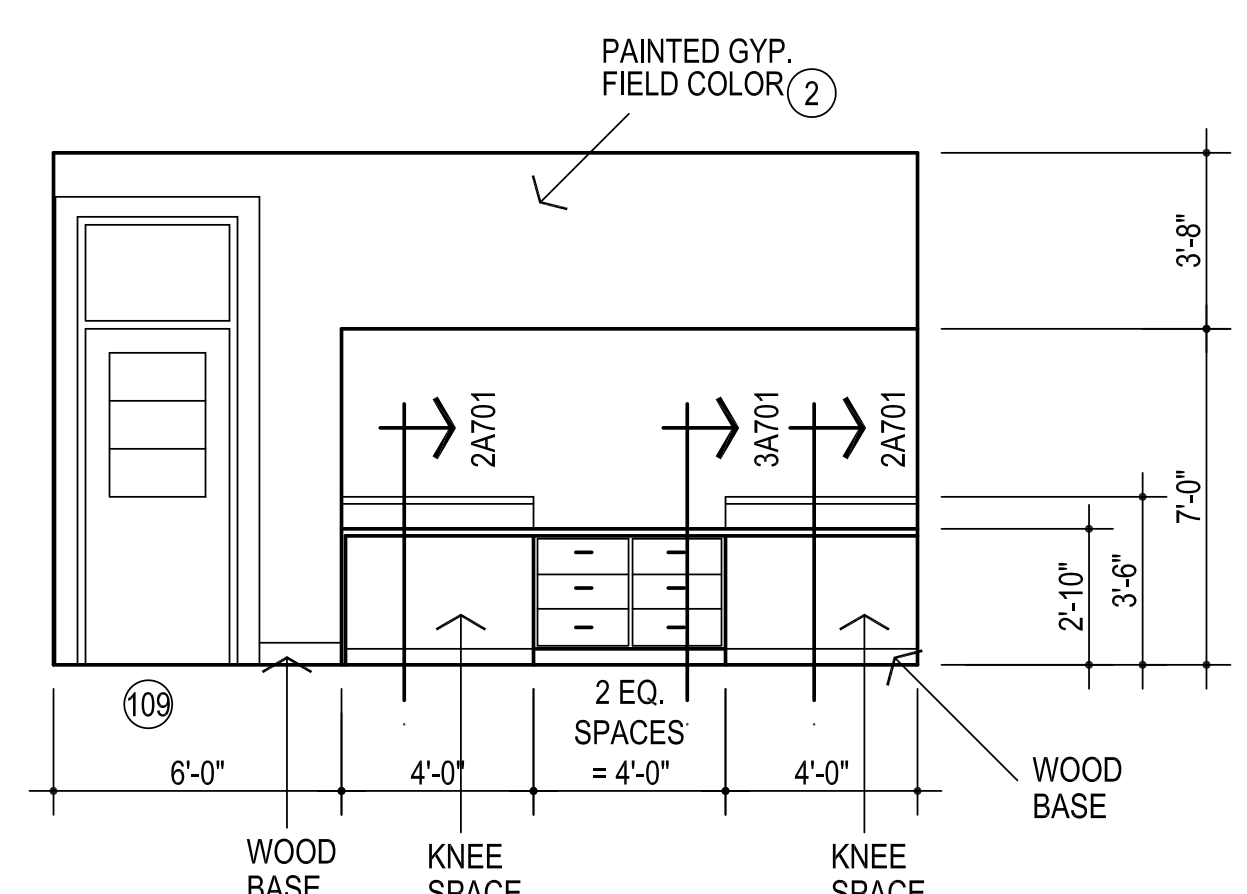
MISCELLANEOUS NOTES:

- F.E.C. - FIRE EXTINGUISHER AND CABINET
- DO NOT SCALE DRAWINGS TO OBTAIN MATERIAL QUANTITIES. USE DRAWINGS WHICH ARE DIMENSIONED OR COORDINATE W/ EXISTING CONDITIONS &/OR ARCHITECT & ENGINEERS.
- INTERIOR PARTITIONS ARE DIMENSIONED TO CENTER LINE



3

S. WALL ROOM #101
1/4" = 1'-0"



4

N. WALL ROOM #102
1/4" = 1'-0"

CG	_____
drawn by	_____
MA	_____
checked by	_____
NOVEMBER 2025	_____
date	_____
revisions	_____



OLD SCHOOL REPLACEMENT

sheet no:

A107

FIRST FLOOR ENLARGED PLANS

OWNERSHIP USE OF DOCUMENTS:
AGP EXPRESSLY RESERVES ITS COPYRIGHT AND OTHER PROPERTY RIGHTS OF ALL PLANS AND DRAWINGS DESIGNED AND/OR PRODUCED. PLANS AND DRAWINGS ARE NOT TO BE REPRODUCED IN ANY FORM OR MANNER WITHOUT THE EXPRESSED WRITTEN CONSENT OF AGP.