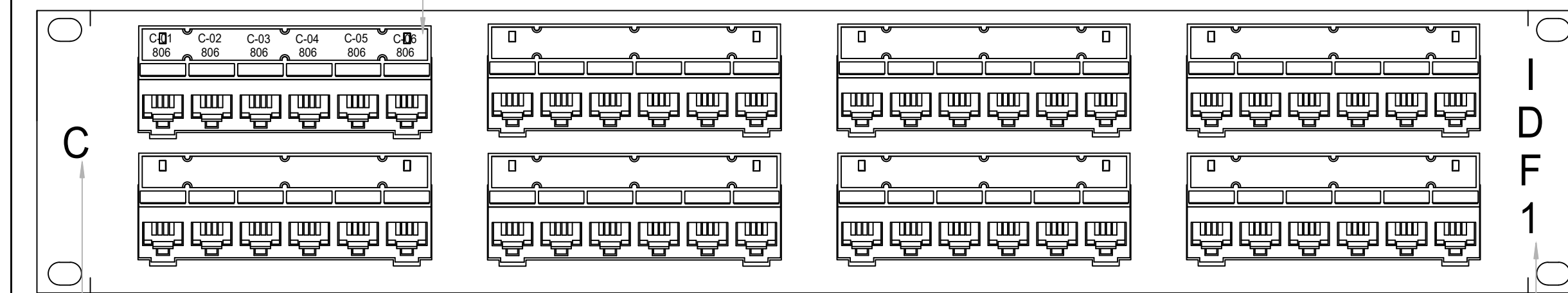


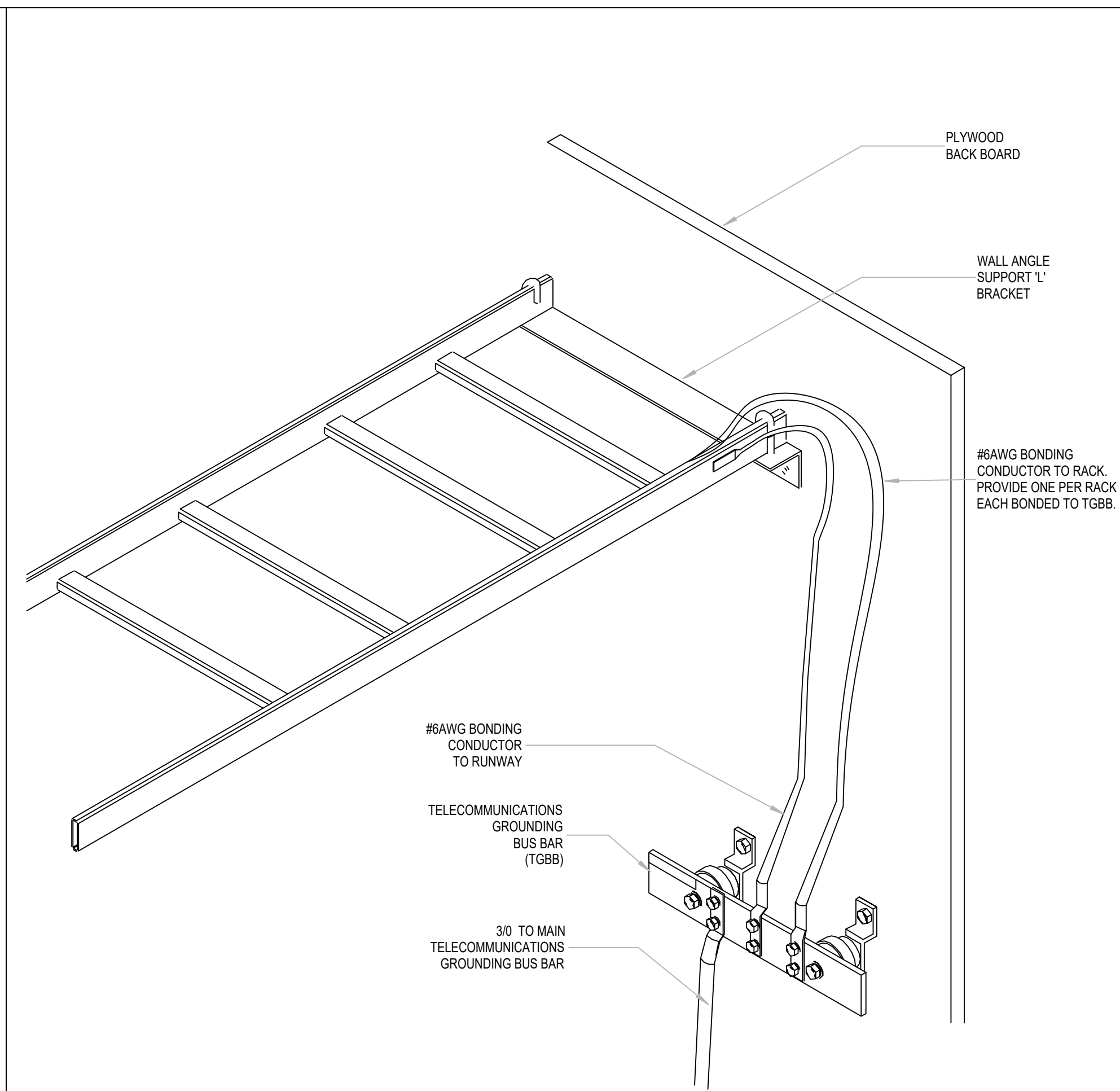
INDIVIDUAL PORT IDENTIFICATION:
EACH PATCH PANEL PORT SHALL BE LABELED WITH THE STATION PORT NUMBER AND THE ROOM NUMBER IT SERVES. (IN THIS CASE, PORTS 1-6 ARE SERVING CABLES 1 THRU 6 IN ROOM #806)
COORDINATE ROOM NUMBERS WITH FINAL GRAPHICS PACKAGE ROOM NUMBERS AND NOT CONSECUTION PLAN ROOM NUMBERS.



PANEL IDENTIFICATION
(PANEL 'C' WOULD INDICATE THE 3RD PATCH PANEL IN THE COMMUNICATION CLOSET)

1. PATCH PANEL PORT LABELING SHALL BE GENERATED AND SHALL NOT BE LESS THEN 1/4" IN HEIGHT.
2. PATCH PANEL AND CLOSET IDENTIFICATION LABEL SHALL BE MACHINE GENERATED AND SHALL NOT BE LESS THEN 1/8" HEIGHT.
3. COORDINATE EXACT LABELING SCHEME WITH OWNER AND ENGINEER.

CLOSET IDENTIFICATION (IN THIS CASE, THE LABEL INDICATES IDF CLOSET #1, THE MDF SHALL BE LABELED 'MDF')

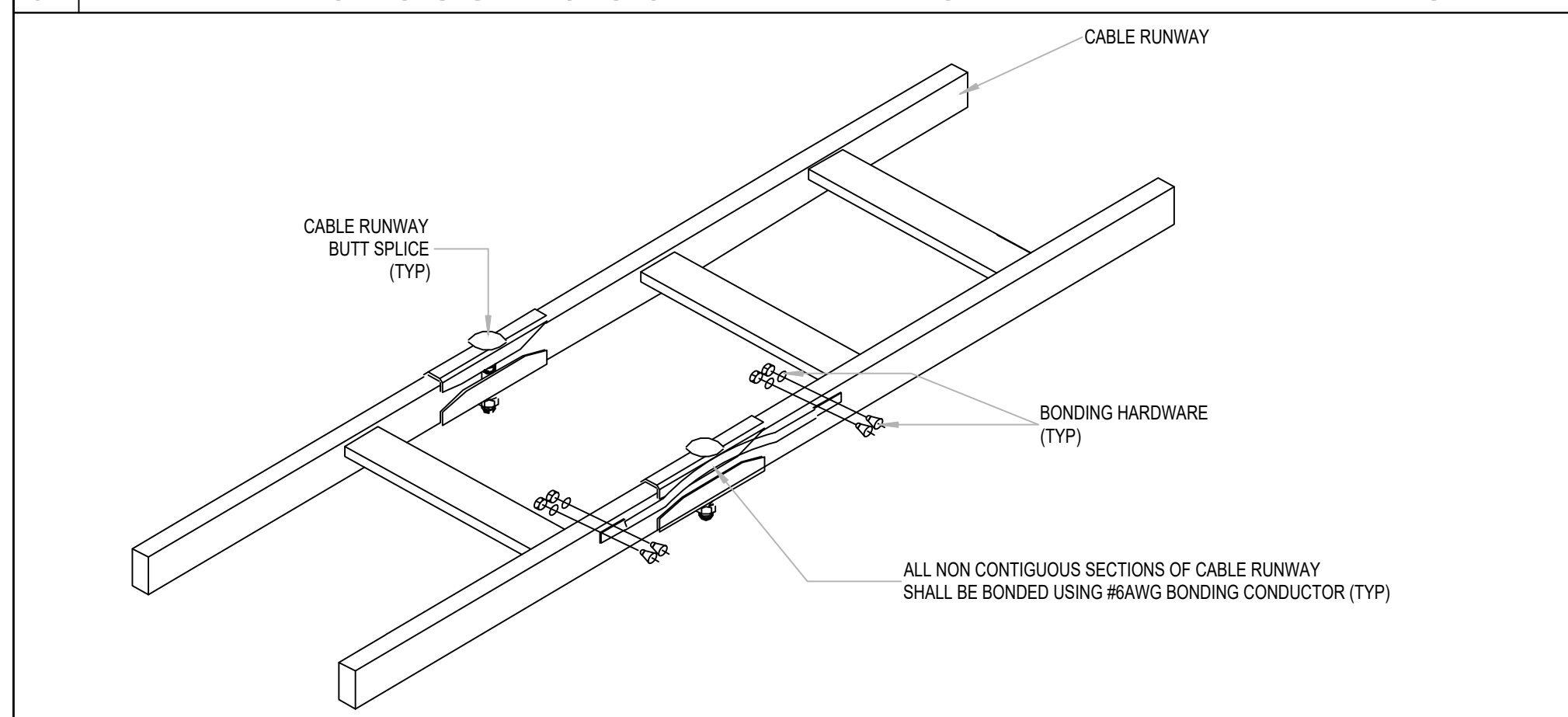


01 FIBER ENCLOSURE/ COPPER PATCH PANEL LABELING DETAIL

NOT TO SCALE

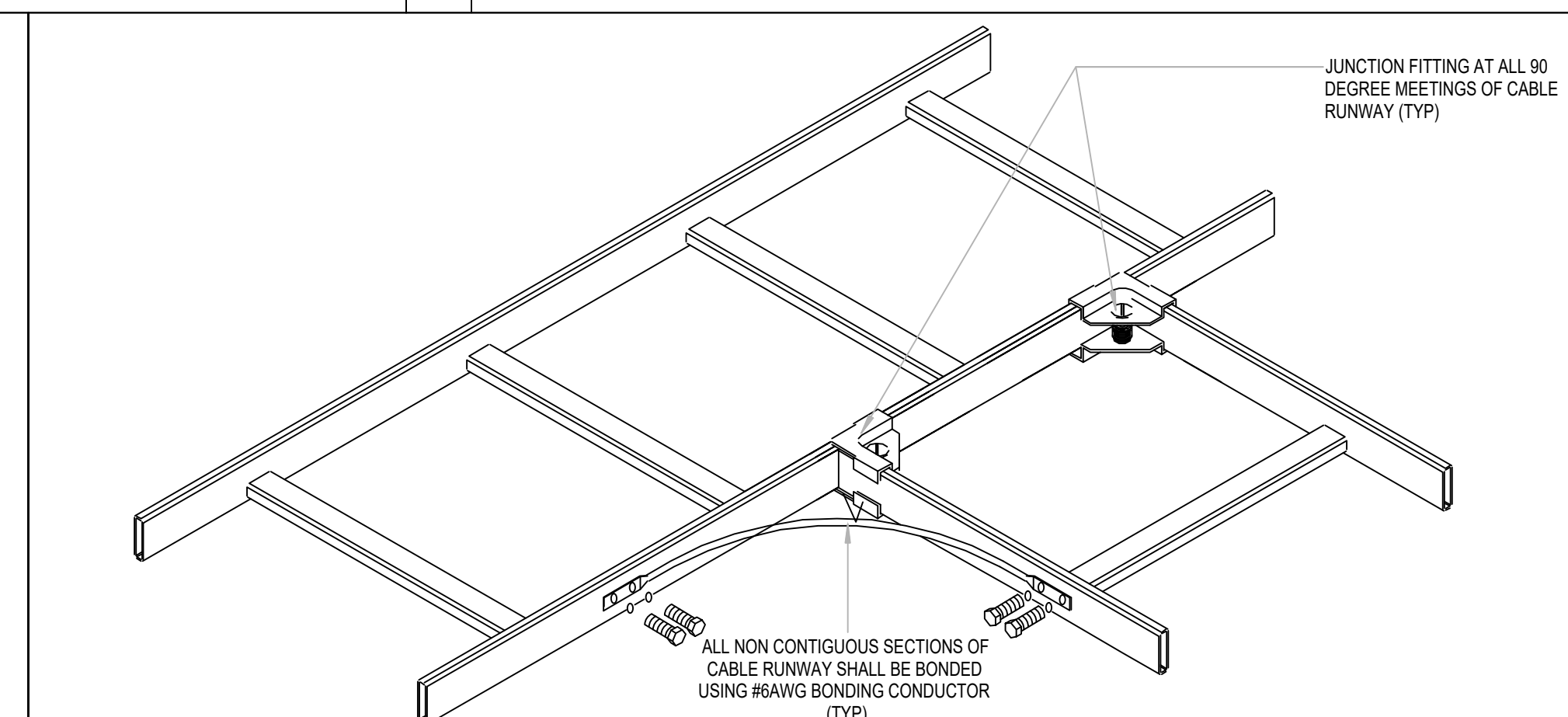
02 CABLE RUNWAY - GROUNDING AND BONDING

NOT TO SCALE



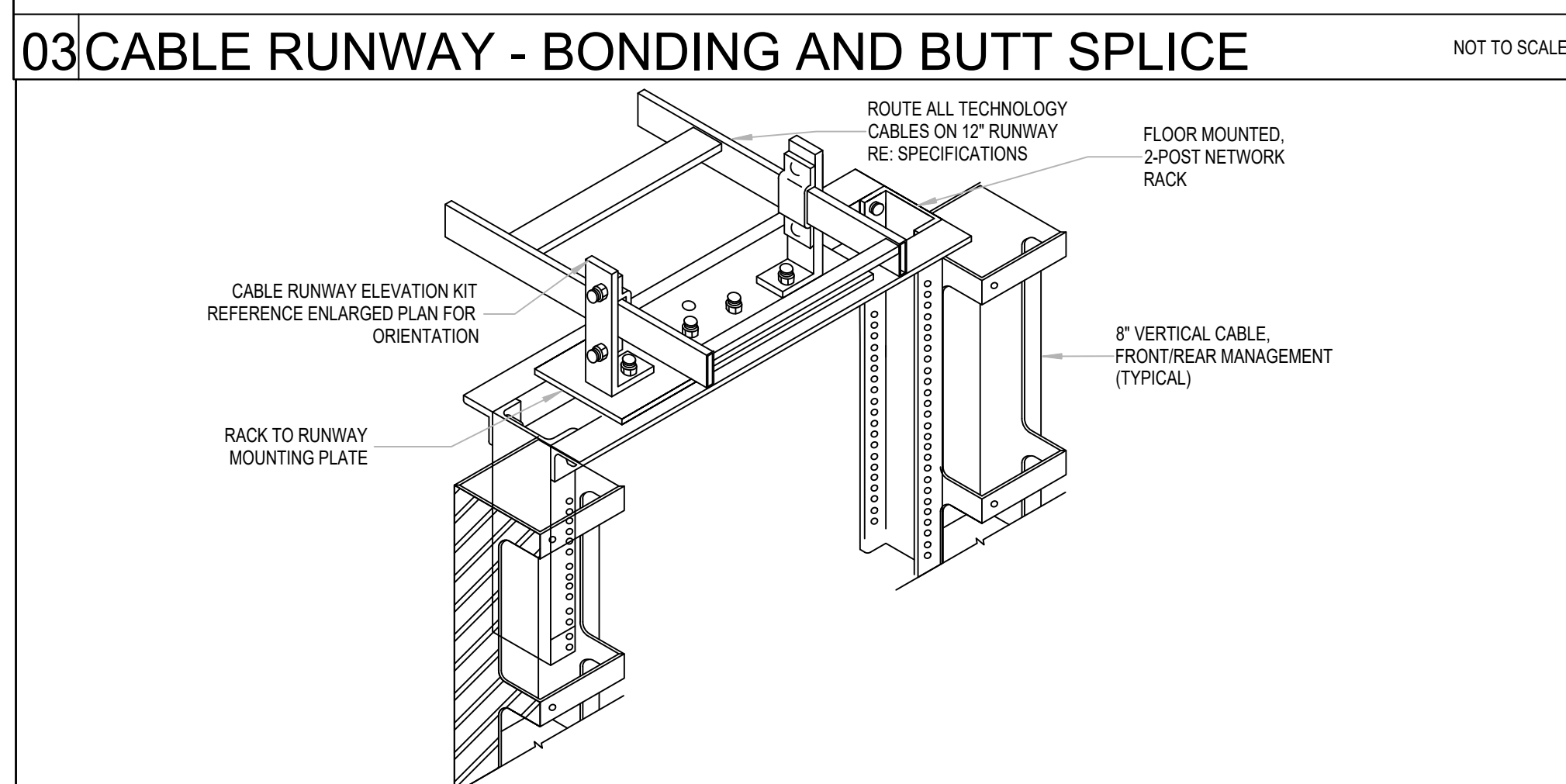
03 CABLE RUNWAY - BONDING AND BUTT SPLICE

NOT TO SCALE



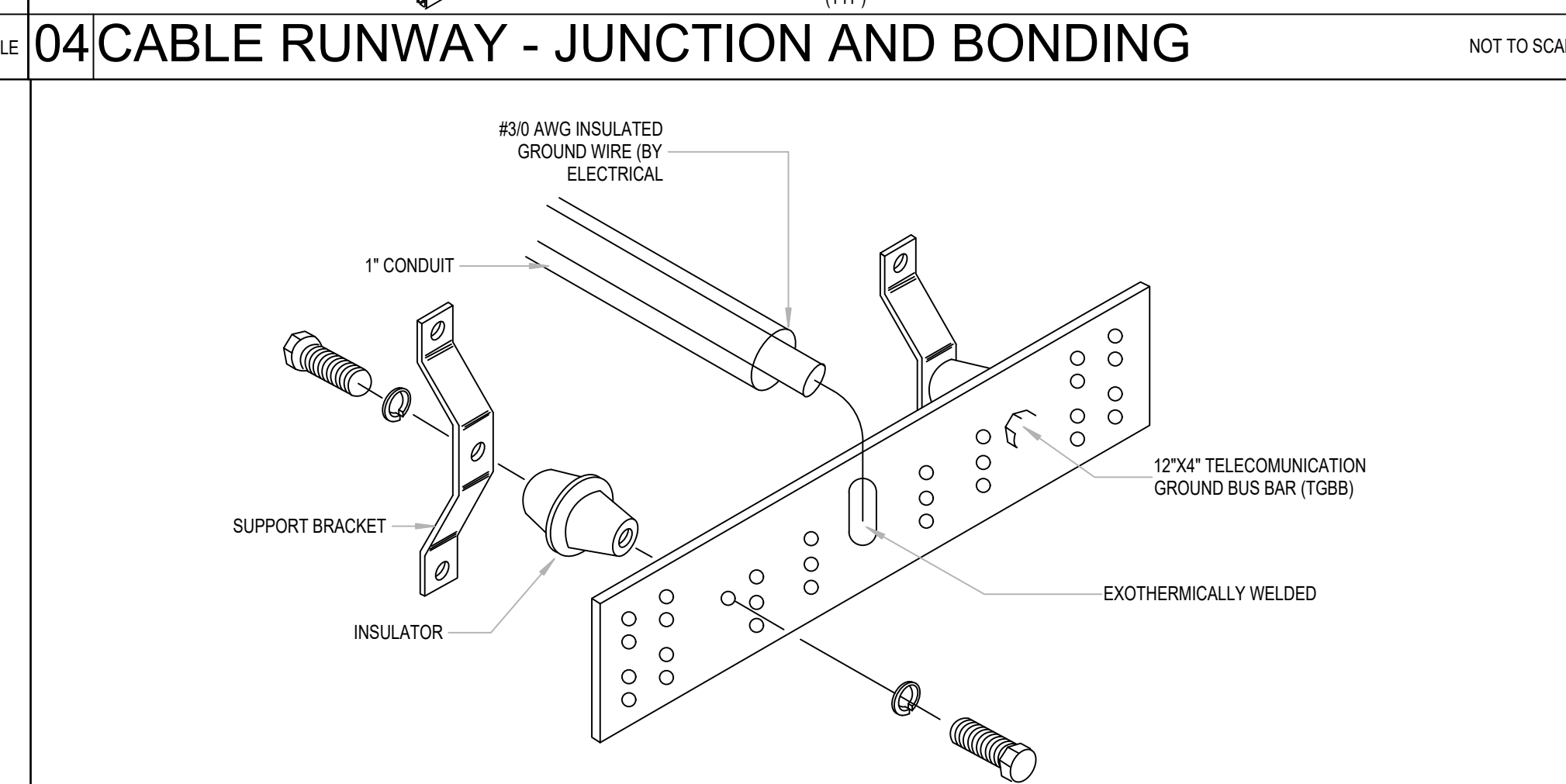
04 CABLE RUNWAY - JUNCTION AND BONDING

NOT TO SCALE



05 RACK TO RUNWAY DETAIL

NOT TO SCALE



06 TELECOMMUNICATION GROUNDING BUS DETAIL

NOT TO SCALE

NY
drawn by
NY
checked by
APRIL 2023
date
revisions

MOORE PUBLIC SCHOOLS
BOARD OF EDUCATION
MOORE, OKLAHOMA



OFFICE
ADDITION -
NORTHMOOR
ELEMENTARY SCHOOL

sheet no:

T402



2600 Van Buren St., Suite 2635
Norman, OK 73072
Salas O'Brien Registration: CA# 7058
Expiration Date: 6/30/2023
Salas O'Brien Project Number: 2023-01177-00

OWNERSHIP USE OF DOCUMENTS:
AGP EXPRESSLY RESERVES ITS
COPYRIGHT AND OTHER PROPERTY
RIGHTS OF ALL PLANS AND DRAWINGS
DESIGNED AND/OR PRODUCED, PLANS
AND DRAWINGS ARE NOT TO BE
REPRODUCED IN ANY FORM OR MANNER
WITHOUT THE EXPRESSED WRITTEN
CONSENT OF AGP.