



CJC

drawn by

BWB

checked by

MARCH 2023

date

revisions

MOORE PUBLIC SCHOOLS
BOARD OF EDUCATION
MOORE, OKLAHOMA



MOORE Public Schools
LEARNING FOR LIFE

OFFICE
ADDITION -
NORTHMOOR
ELEMENTARY SCHOOL

sheet no:

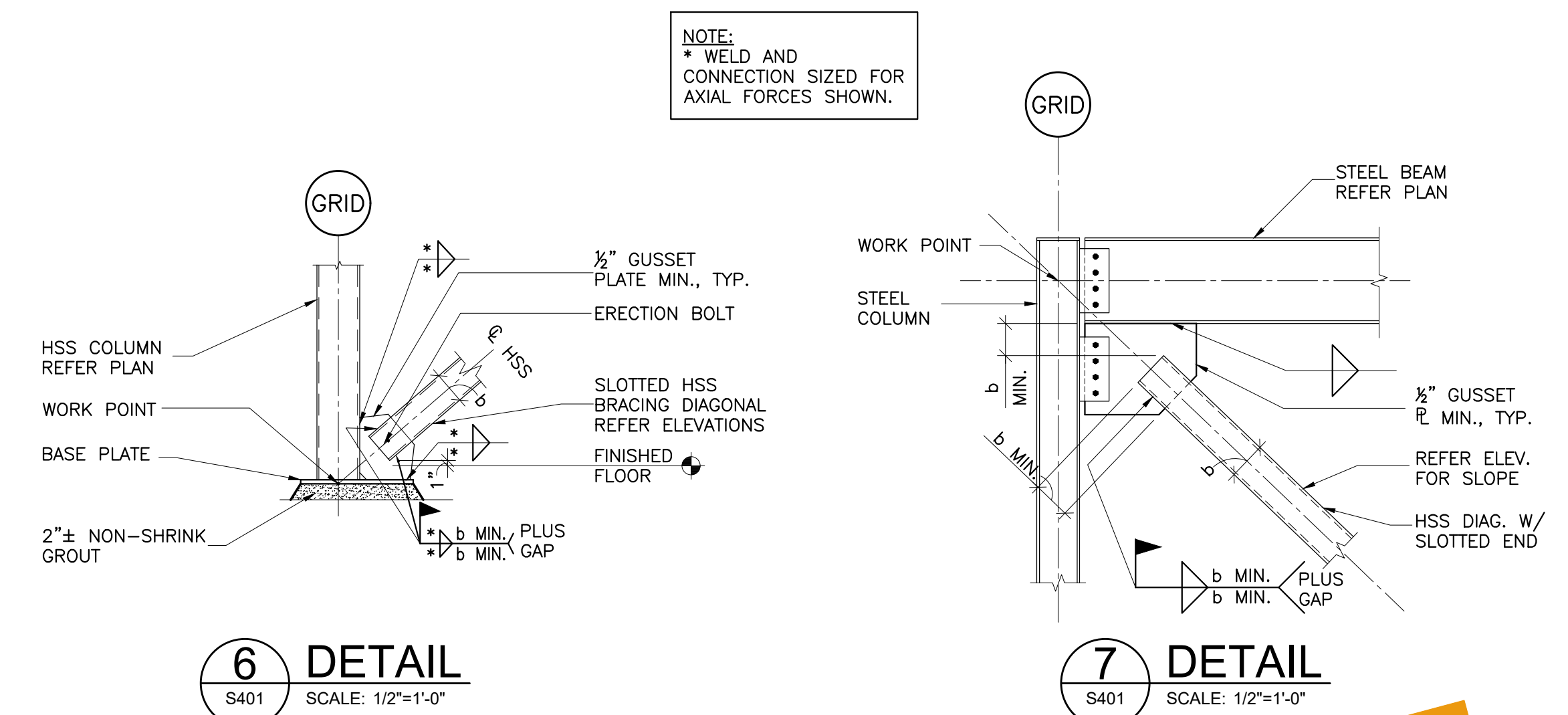
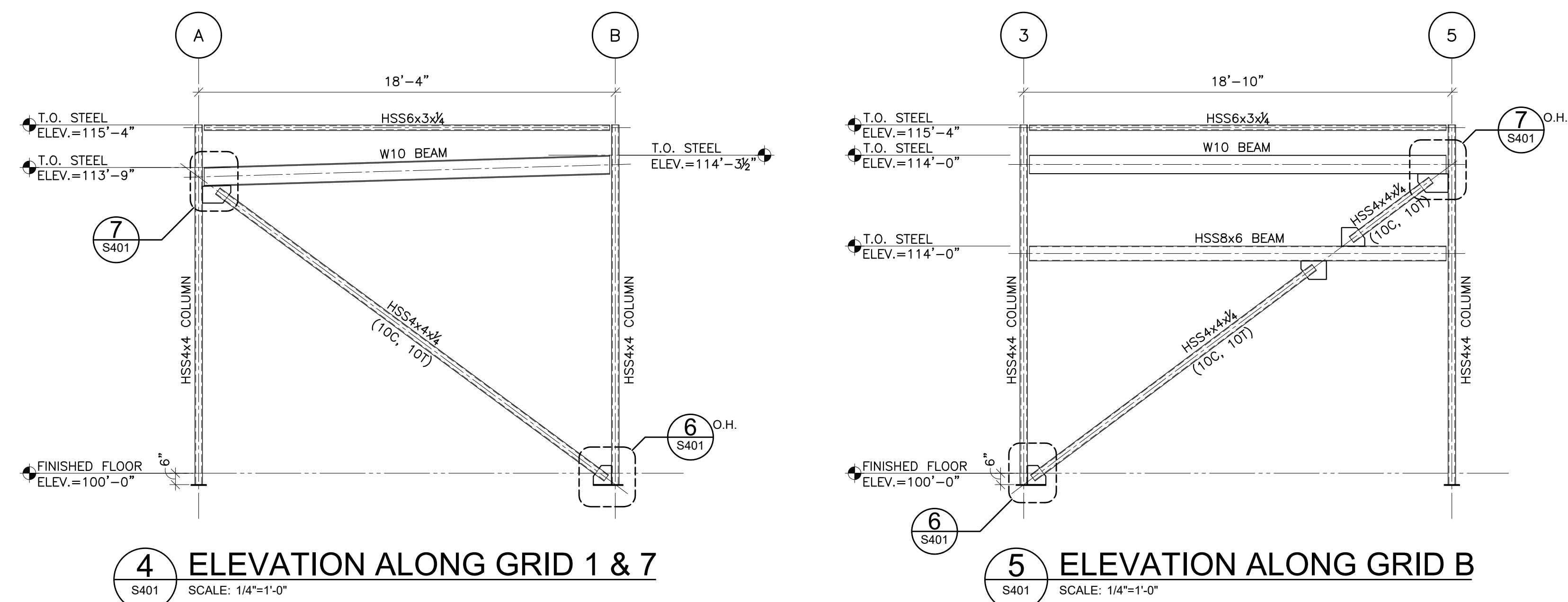
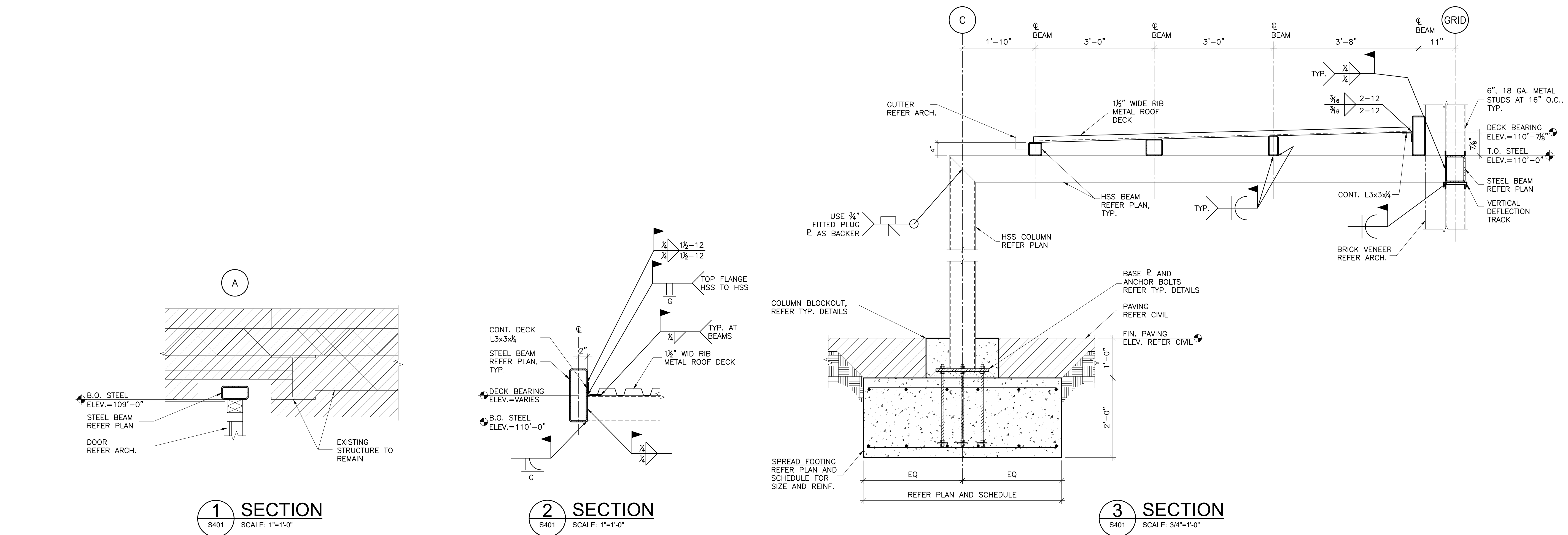
S401

OWNERSHIP USE OF DOCUMENTS:

AGP EXPRESSLY RESERVES ITS
COPYRIGHT AND OTHER PROPERTY
RIGHTS OF ALL PLANS AND DRAWINGS
DESIGNED AND/OR PRODUCED. PLANS
AND DRAWINGS ARE NOT TO BE
REPRODUCED IN ANY FORM OR MANNER
WITHOUT THE EXPRESSED WRITTEN
CONSENT OF AGP.



Kirkpatrick Forest Curtis PC
Structural Engineering
OK, CA #3888, EXP. 06/30/25
525 Central Park Drive, Suite 202
Oklahoma City, OK 73105
405.528.4596 | kfcenr.com



Kirkpatrick Forest Curtis PC
Structural Engineering
OK, CA #3888, EXP. 06/30/25
525 Central Park Drive, Suite 202
Oklahoma City, OK 73105
405.528.4596 | kfcenr.com