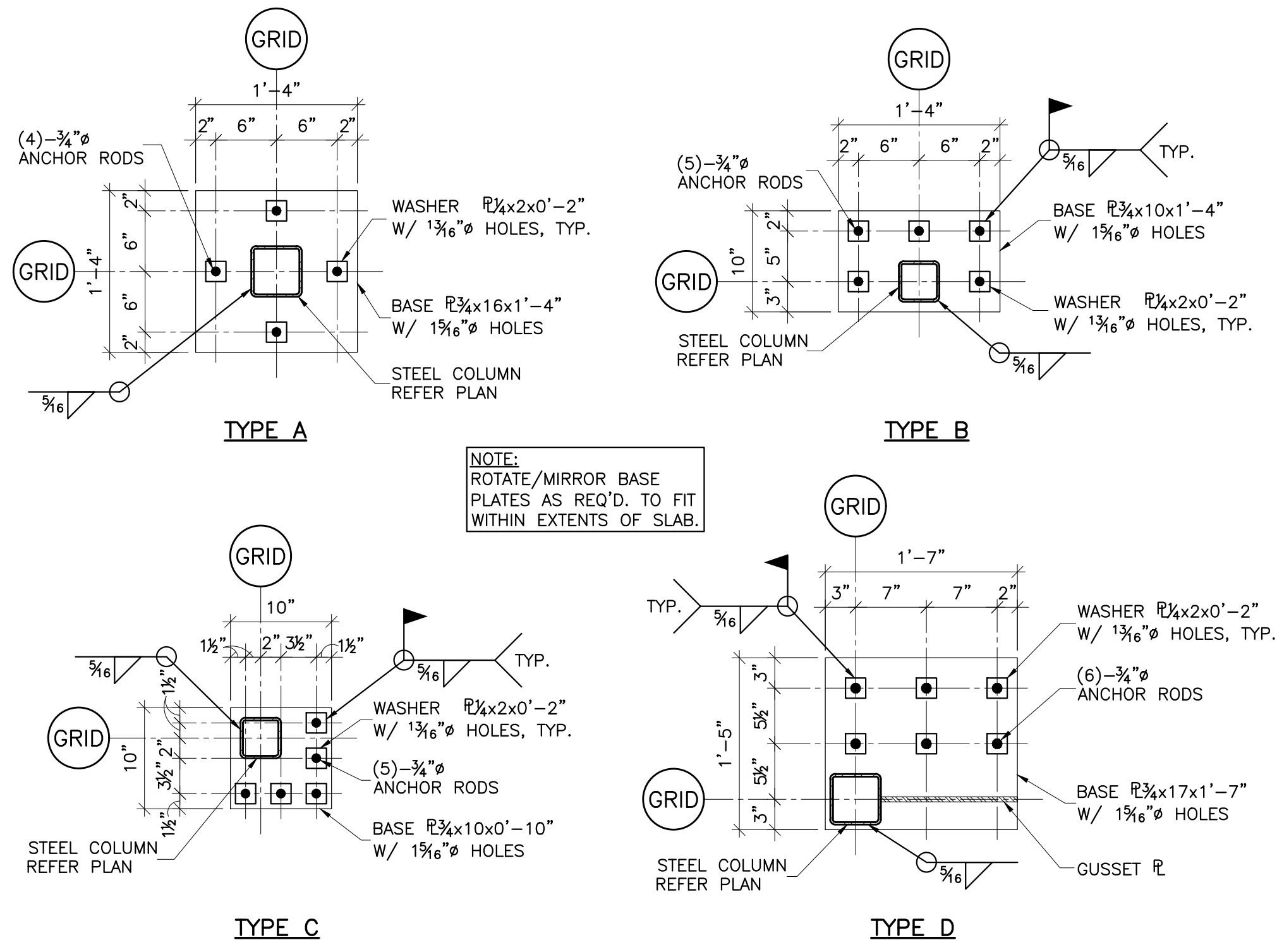


**1 TYP. ISOLATION JOINT DETAILS**  
SCALE: NONE



**2 BASE PLATE DETAILS**  
SCALE: NONE

3/4" A325-N BOLT SCHEDULE FOR SINGLE PLATE SHEAR TAB CONNECTIONS (FACTORED LOADS)

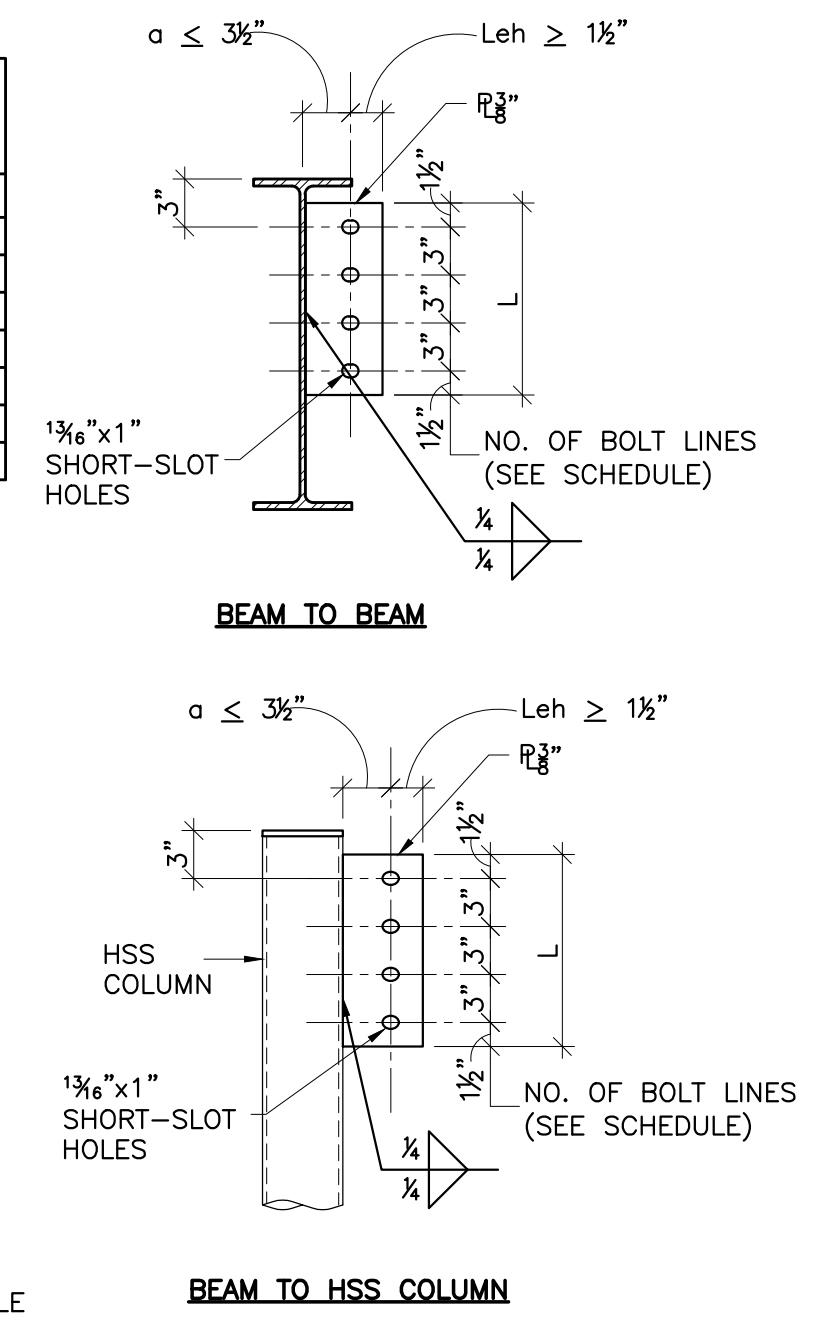
END REACTION	NO. OF BOLTS
0 THRU 24.8 KIPS	2-3/4"
24.9 THRU 43.4 KIPS	3-3/4"
43.5 THRU 62.5 KIPS	4-3/4"
62.6 THRU 81.3 KIPS	5-3/4"
81.4 THRU 100 KIPS	6-3/4"
101 THRU 118 KIPS	7-3/4"
119 THRU 137 KIPS	8-3/4"

NOTES:

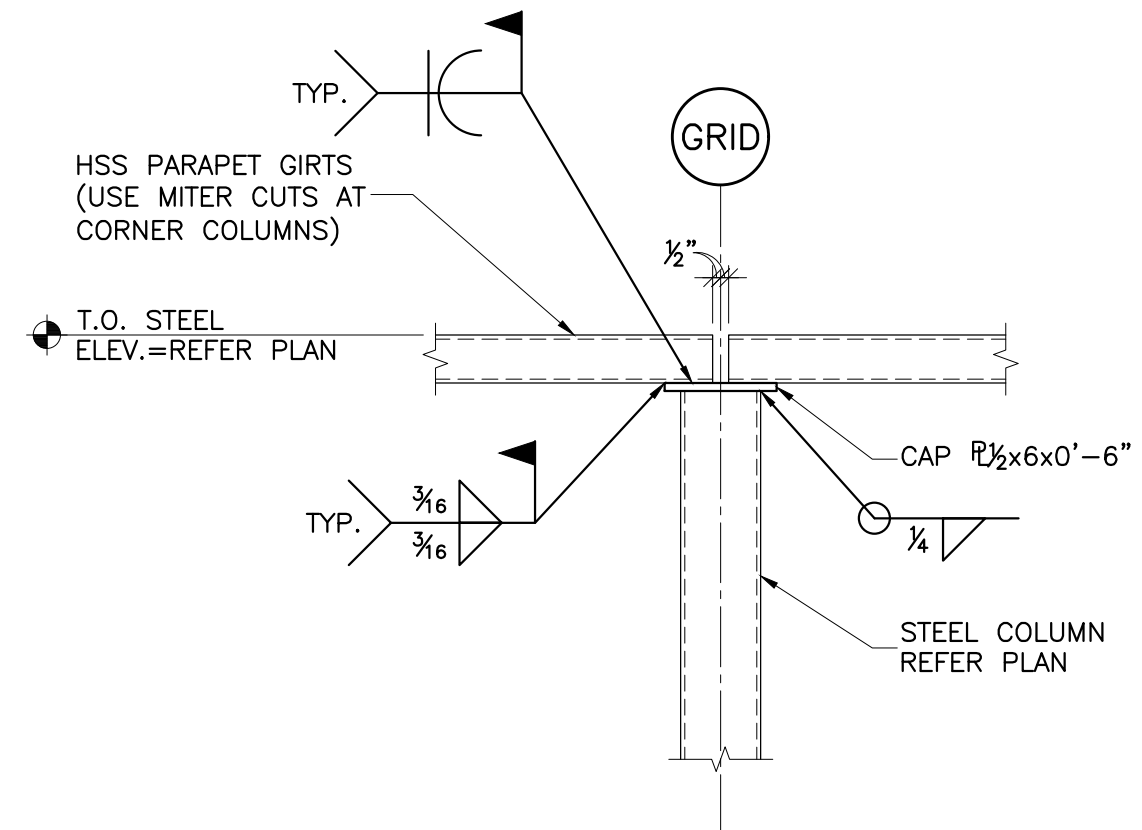
- VALUES SHOWN ARE APPLICABLE FOR SINGLE PLATE SHEAR TAB CONNECTIONS
- SEE PLAN FOR END REACTIONS
- L = PLATE LENGTH ≥ 1/2 OF CONNECTED BEAM.
- AT HSS OR PIPE COLUMNS, A THROUGH-PLATE WITH EQUAL WELD ON THE BACK SIDE OF THE COLUMN IS REQUIRED UNDER EITHER OF THE FOLLOWING CIRCUMSTANCES:
  - A. FOR SQUARE OR RECTANGULAR HSS: WHEN  $\frac{R_u}{0.85F_y} > 35.1$
  - B. FOR ROUND HSS OR PIPE: WHEN  $\frac{R_u}{F_y} > 3.190 \frac{D}{t}$

WHERE:

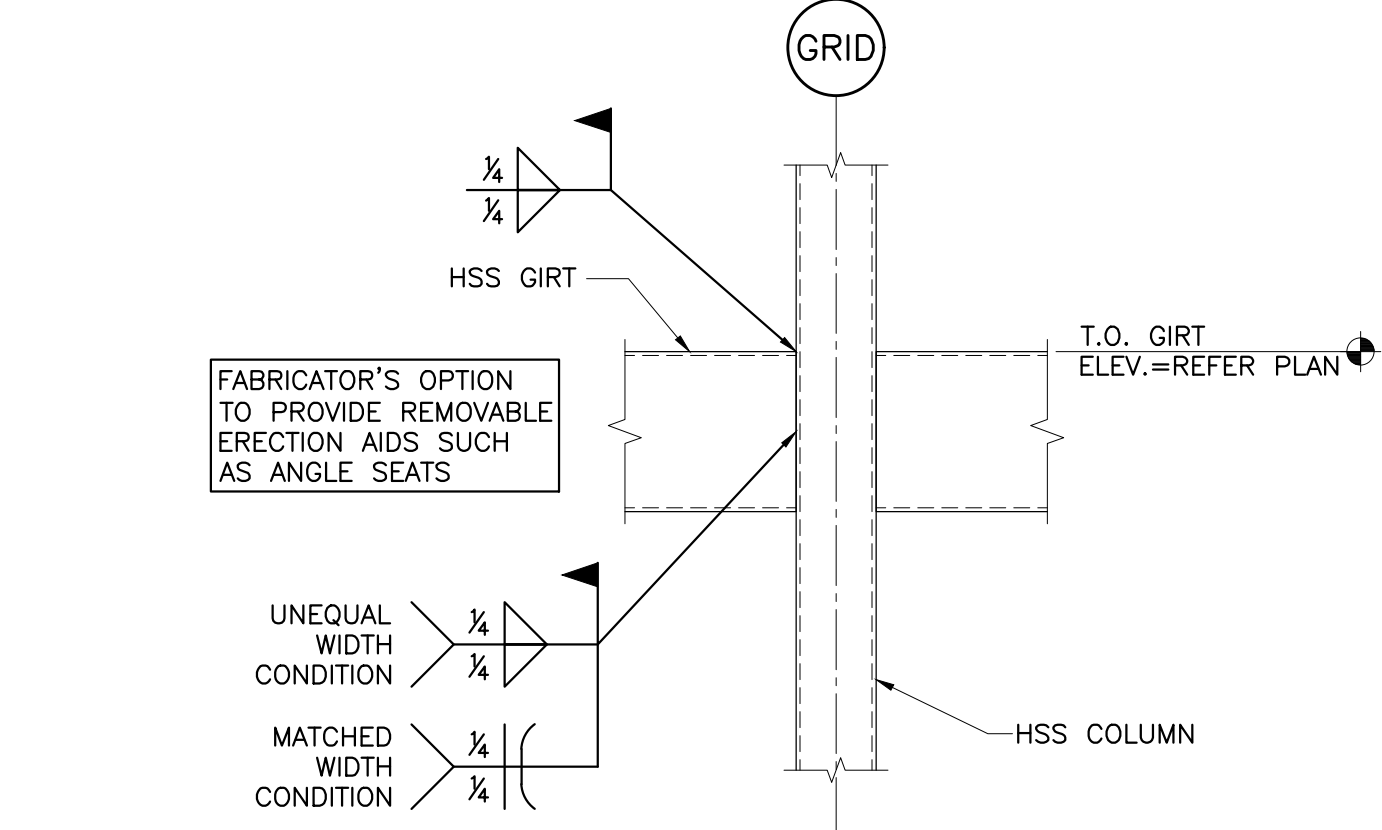
- B = NOMINAL COLUMN WIDTH ACROSS THE COLUMN FACE WITH THE SINGLE PLATE CONNECTION, IN.
- D = OUTSIDE DIAMETER OF ROUND HSS OR PIPE, IN.
- t = NOMINAL THICKNESS OF COLUMN, IN.
- F<sub>y</sub> = YIELD STRENGTH OF COLUMN, KSI



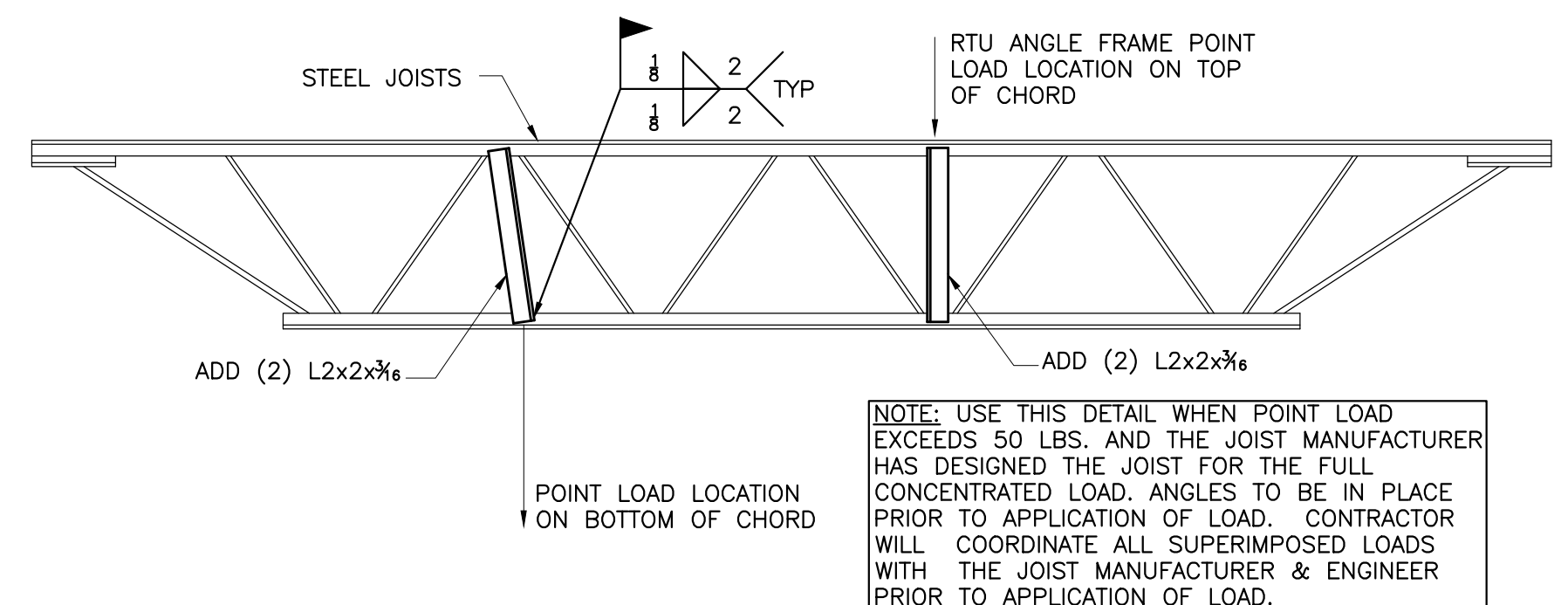
**3 SINGLE PLATE SHEAR TAB CONNECTIONS (LRFD-AISC 14TH EDITION MANUAL)**  
SCALE: NONE



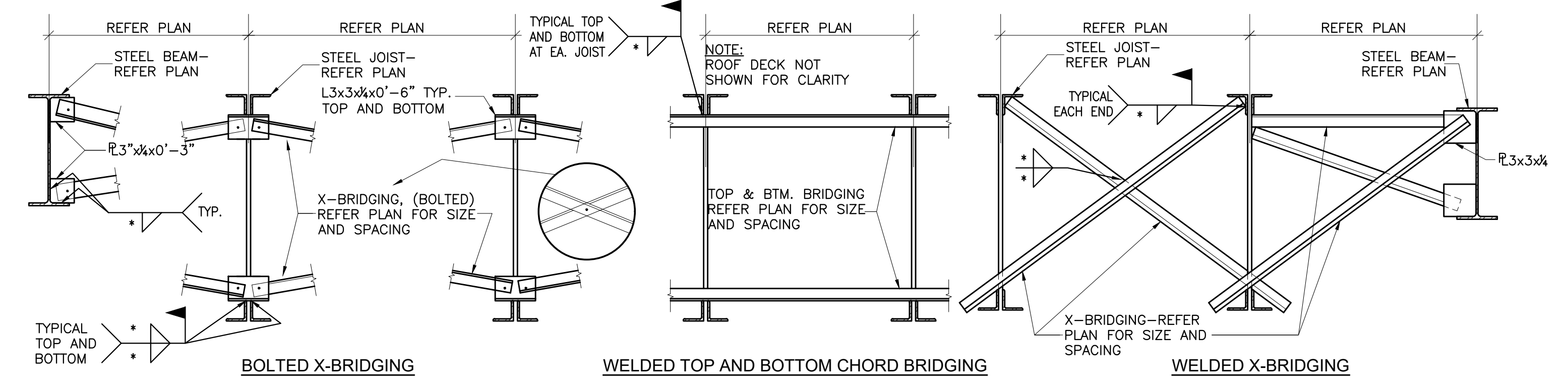
**4 TYP. PARAPET GIRTS TO COLUMN**  
SCALE: NONE



**5 TYP. HSS GIRTS TO HSS COLUMN CONNX.**  
SCALE: NONE



**6 BRACING DETAIL FOR STEEL JOISTS W/ POINT LOADS**  
SCALE: NONE



**7 TYP. BRIDGING DETAILS AT JOISTS**  
SCALE: NONE

\*WELD AS REQUIRED BY JOIST MANUFACTURER

201 N. BROADWAY  
SUITE 210  
MOORE, OK. 73160  
405.735.3477  
AGP@theAGP.net  
www.theAGP.net

KFC ENGINEERING  
STRUCTURAL  
SALAS O'BRIEN  
MECHANICAL / ELECTRICAL



CJC  
drawn by

BWB  
checked by

MARCH 2023  
date

revisions

ADDENDUM No. 2 11/23/2021

MOORE PUBLIC SCHOOLS  
BOARD OF EDUCATION  
MOORE, OKLAHOMA



OFFICE  
ADDITION -  
NORTHMOOR  
ELEMENTARY SCHOOL

sheet no:

**S103**

**KFC engineering**  
Kirkpatrick Forest Curtis PC  
Structural Engineering  
OK, CA #3888, EXP. 06/30/25  
525 Central Park Drive, Suite 202  
Oklahoma City, OK 73165  
405.528.4596 | kfcengr.com

OWNERSHIP USE OF DOCUMENTS:  
AGP EXPRESSLY RESERVES ITS  
COPYRIGHT AND OTHER PROPERTY  
RIGHTS OF ALL PLANS AND DRAWINGS  
DESIGNED AND/OR PRODUCED. PLANS  
AND DRAWINGS ARE NOT TO BE  
REPRODUCED IN ANY FORM OR MANNER  
WITHOUT THE EXPRESSED WRITTEN  
CONSENT OF AGP.