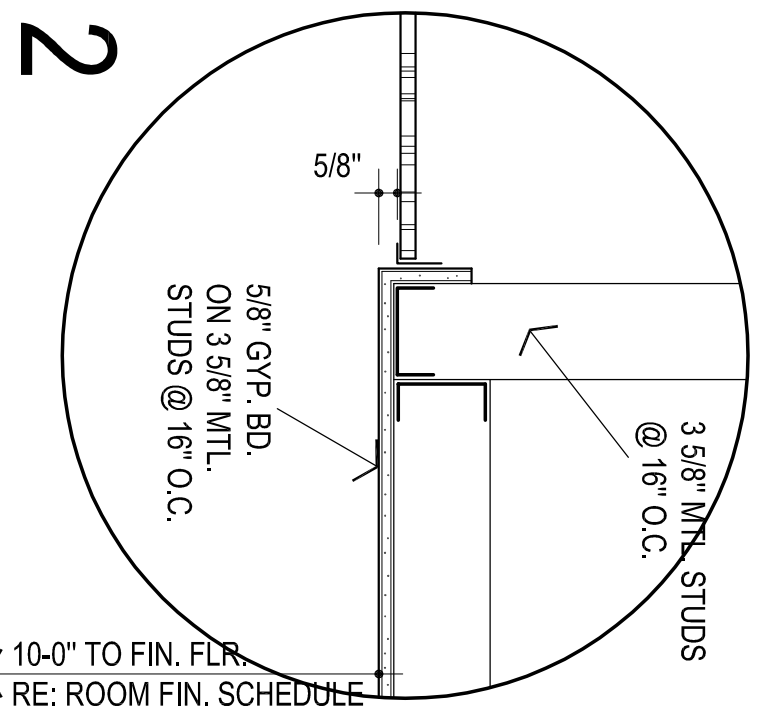
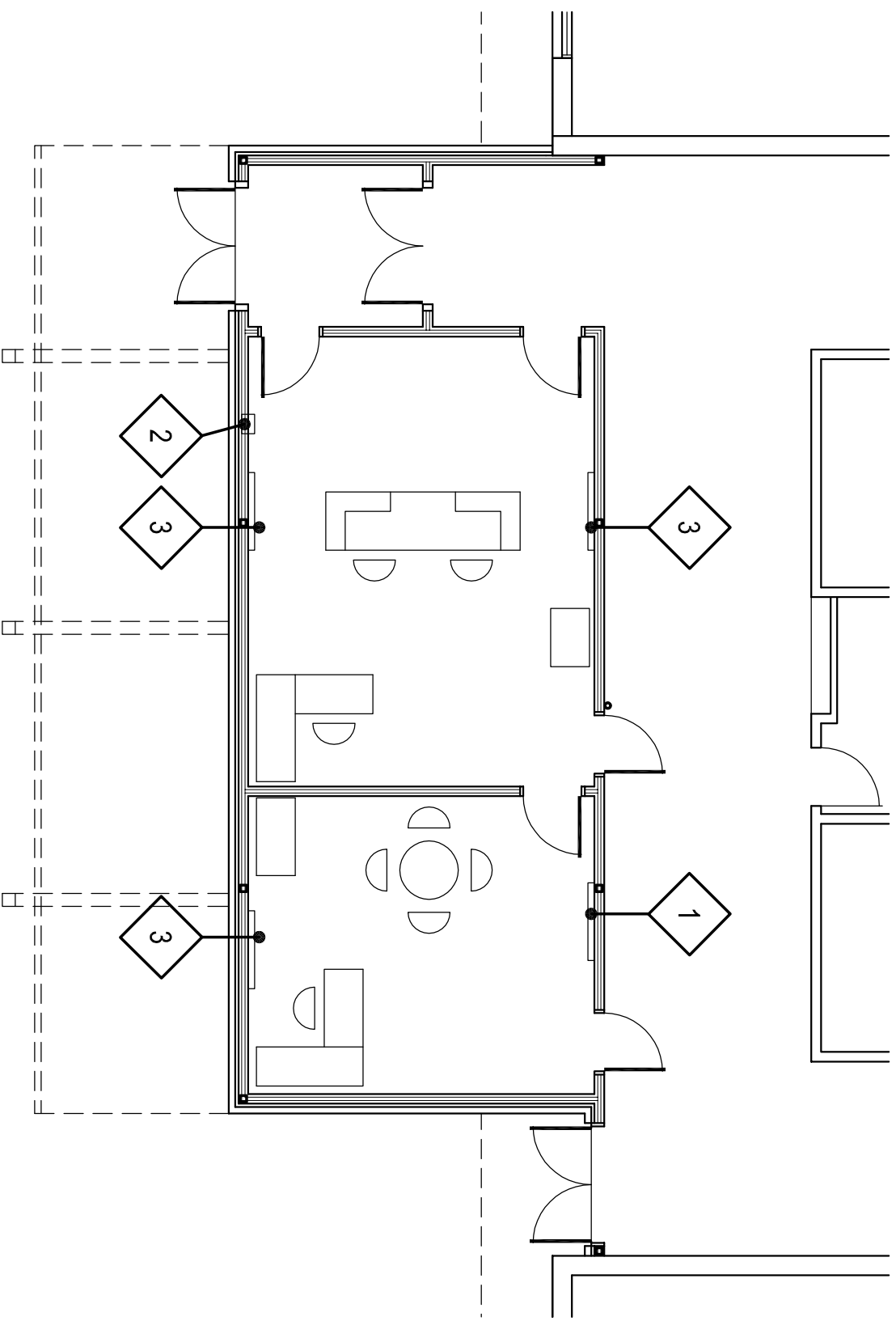
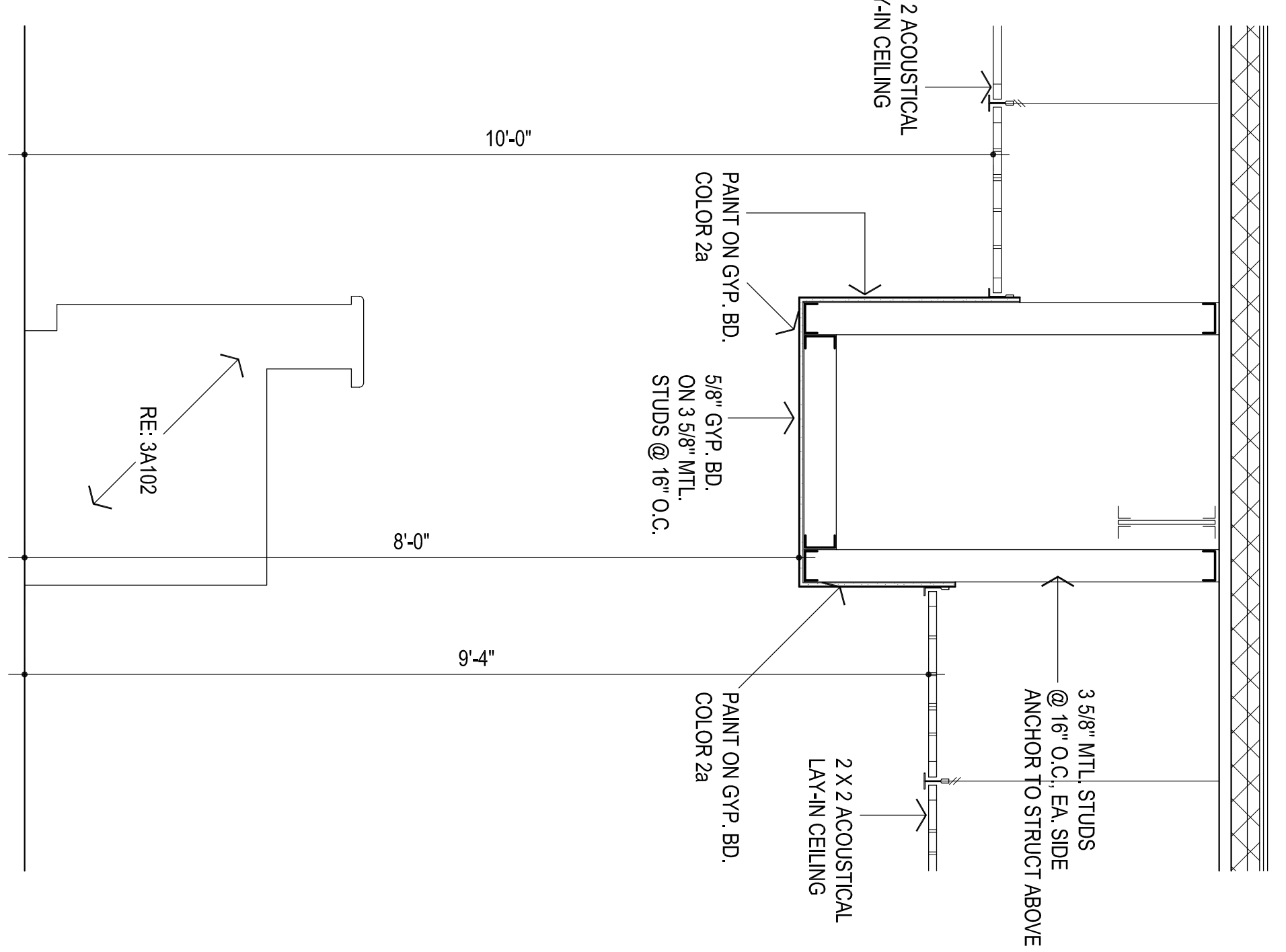


**1**  
REFLECTED CEILING PLAN  
1/8" = 1'-0"

- LEGEND:**
- MECHANICAL OPENINGS
  - ELECTRICAL FIXTURES
  - CEILING MOUNTED SMOKE DETECTOR; RE: ELEC
- NOTES:**
- REFER MECHANICAL & ELECTRICAL FOR ANY ADDITIONAL CEILING MOUNTED FIXTURES
  - REFER TO SHEET A100 FOR LOCATIONS OF FIRE-RATED WALLS
  - EXISTING SOFFIT TO REMAIN PROVIDE NEW SOFFIT MATERIALS, TRIM, ETC FOR COMPLETE INSTALLATION. SALVAGE EXISTING SOFFIT TO BE REMOVED AS PRACTICAL FOR REUSE.



**3**  
SECTION  
3/4" = 1'-0"



**4**  
EQUIPMENT PLAN  
1/8" = 1'-0"

ITEM NO.	QTY	U / C / I	DESCRIPTION	MANUFACTURER NAME	MODEL NO.	REMARKS
1	1	●	MARKERBOARD - 4'-0"	BEST-RITE CHALKBOARD CO.	RE: SPECS	W/ CHALK RAIL
2	1	●	FIRE EXTINGUISHER & CABINET	JL INDUSTRIES	RE: SPECS	
3	1	●	TACKBOARD - 4'-0"	BEST-RITE CHALKBOARD CO.	RE: SPECS	
4	1	●	OFFICE DESK	HON	SINGLE FULL PEDESTAL	RECTANGULAR TOP / SWEEP PULLS
5	1	●	CREDENZA	HON	SINGLE FULL	
6	1	●	TABLE W/ CHAIRS			

**5**  
EQUIPMENT / FURNITURE SCHEDULE  
1/8" = 1'-0"

- LEGEND:**
- CONTRACTOR FURNISHED AND INSTALLED (CFI)
  - OWNER FURNISHED AND INSTALLED (OF / OI)