

**MOORE PUBLIC SCHOOLS -
NORTHMOOR ELEMENTARY SCHOOL –
OFFICE ADDITION**

Moore Public Schools - Moore, Oklahoma
AGP - Moore, Oklahoma

CONSTRUCTION BULLETIN NO. 1

February 27, 2024

1. OMIT DOOR #6 IN ITS ENTIRETY.
2. REVISE DOOR HARDWARE FOR DOORS #5 (4a) AND #8 (5a) AS PER ATTACHED SETS. VERIFY CHANGES WITH OWNER'S HARDWARE COORDINATOR / CONTACT.
3. REVISE DOOR SWING FOR DOOR #8 AS PER ATTACHED DRAWINGS.

END OF CONSTRUCTION BULLETIN NO. 1

DIVISION 8 - DOORS & WINDOWS

SECTION 08700 - FINISH HARDWARE

REVISIONS NOTED IN RED - CONSTRUCTION BULLETIN CB-2

2.02 Hardware Sets:

Hardware Group No. 004: Provide each SGL door(s) with the following:

Quantity	Description	Model Number	Finish	Mfr
3	EA HINGE	5BB1 4.5 X 4.5	652	IVE
1	EA OFFICE LOCK	L9050T 03N	626	SCH
1	EA CLASSIC CORE	30-030	626	SCH
1	EA STOP	WS407CCV OR FS436 AS REQUIRED	628	IVE
3	EA SILENCER	SR64	GRY	IVE
1	EA SURFACE CLOSER	4041 OR P4041 MTG BRKTS, SPCRS & PLATES AS REQ	689	LCN
1	EA KICK PLATE	8400 10" X 1" LDW	630	IVE

REFER TO ELECTRICAL FOR ACCESS, CARD READER, ETC. INFORMATION.

Hardware Group No. 004a: Provide each SGL door(s) with the following:

Quantity	Description	Model Number	Finish	Mfr
3	EA HINGE	5BB1 4.5 X 4.5	652	IVE
1	EA OFFICE LOCK	L9050T 03N	626	SCH
1	EA CLASSIC CORE	30-030	626	SCH
1	EA STOP	WS407CCV OR FS436 AS REQUIRED	628	IVE
3	EA SILENCER	SR64	GRY	IVE
1	EA SURFACE CLOSER	4041 OR P4041 MTG BRKTS, SPCRS & PLATES AS REQ	689	LCN
1	EA KICK PLATE	8400 10" X 1" LDW	630	IVE

REFER TO ELECTRICAL FOR ACCESS, CARD READER, ETC. INFORMATION.

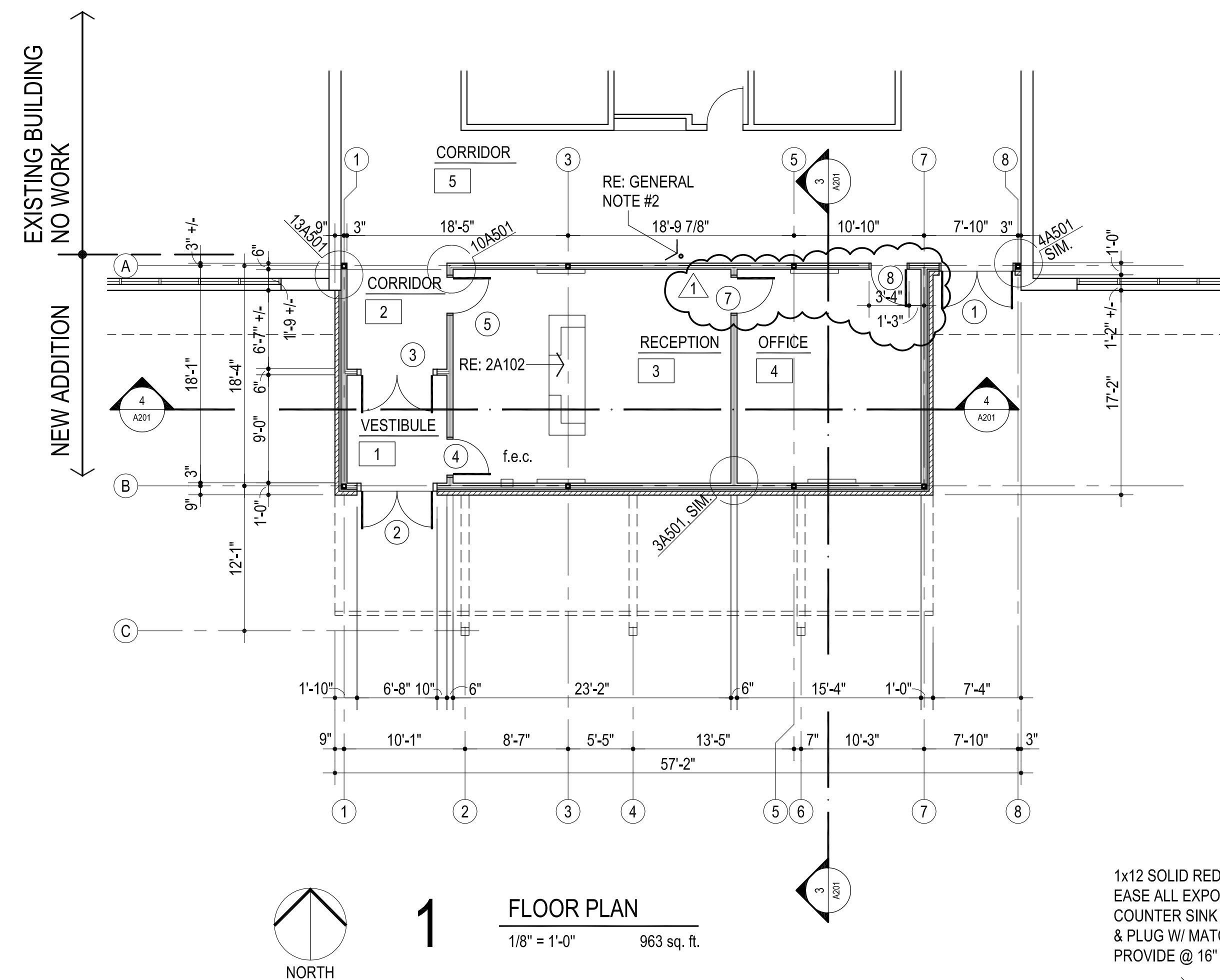
Hardware Group No. 005: Provide each SGL door(s) with the following:

Quantity	Description	Model Number	Finish	Mfr
3	EA HINGE	5BB1 4.5 X 4.5	652	IVE
1	EA OFFICE LOCK	L9050T 03N	626	SCH
1	EA CLASSIC CORE	30-030	626	SCH
1	EA STOP	WS407CCV OR FS436 AS REQUIRED	628	IVE
3	EA SILENCER	SR64	GRY	IVE

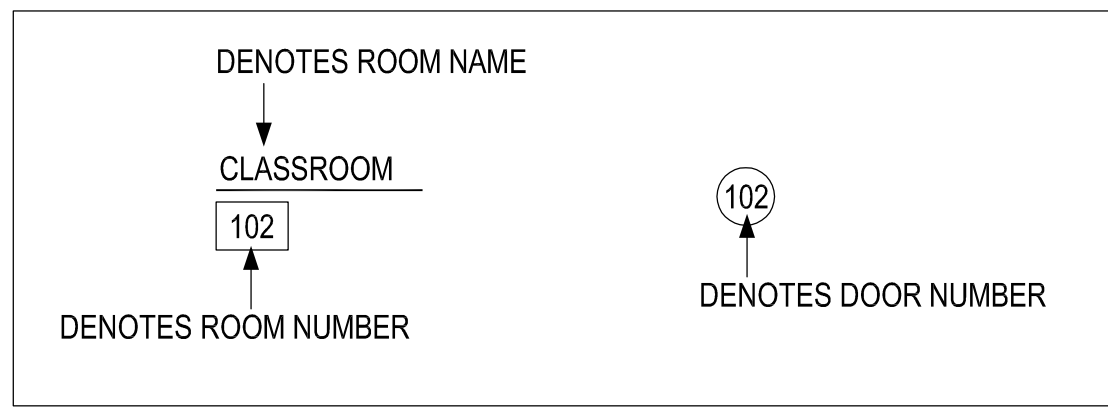
Hardware Group No. 005a: Provide each SGL door(s) with the following:

Quantity	Description	Model Number	Finish	Mfr
3	EA HINGE	5BB1 4.5 X 4.5	652	IVE
1	EA LOCKSET	ND66C RHO 10-025	626	SCH
1	EA CLASSIC CORE	30-030	626	SCH
1	EA STOP	WS407CCV OR FS436 AS REQUIRED	628	IVE
3	EA SILENCER	SR64	GRY	IVE

Please note - CM to provide ALL connections required to the fire alarm, security, and electrical systems necessary for fully functioning devices meeting all applicable codes and standards.

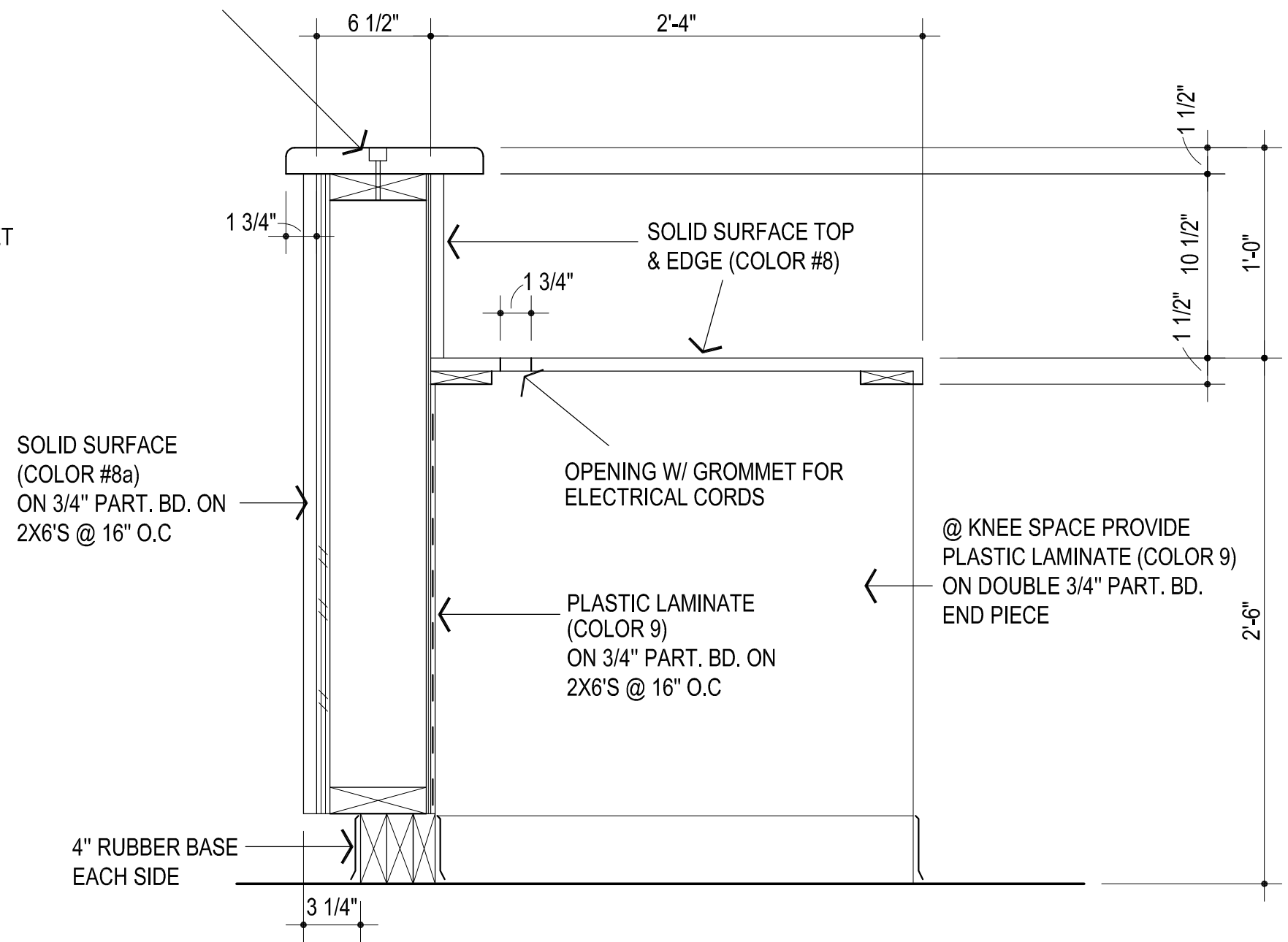


2 MILLWORK ROOM #3
1/4" = 1'-0"

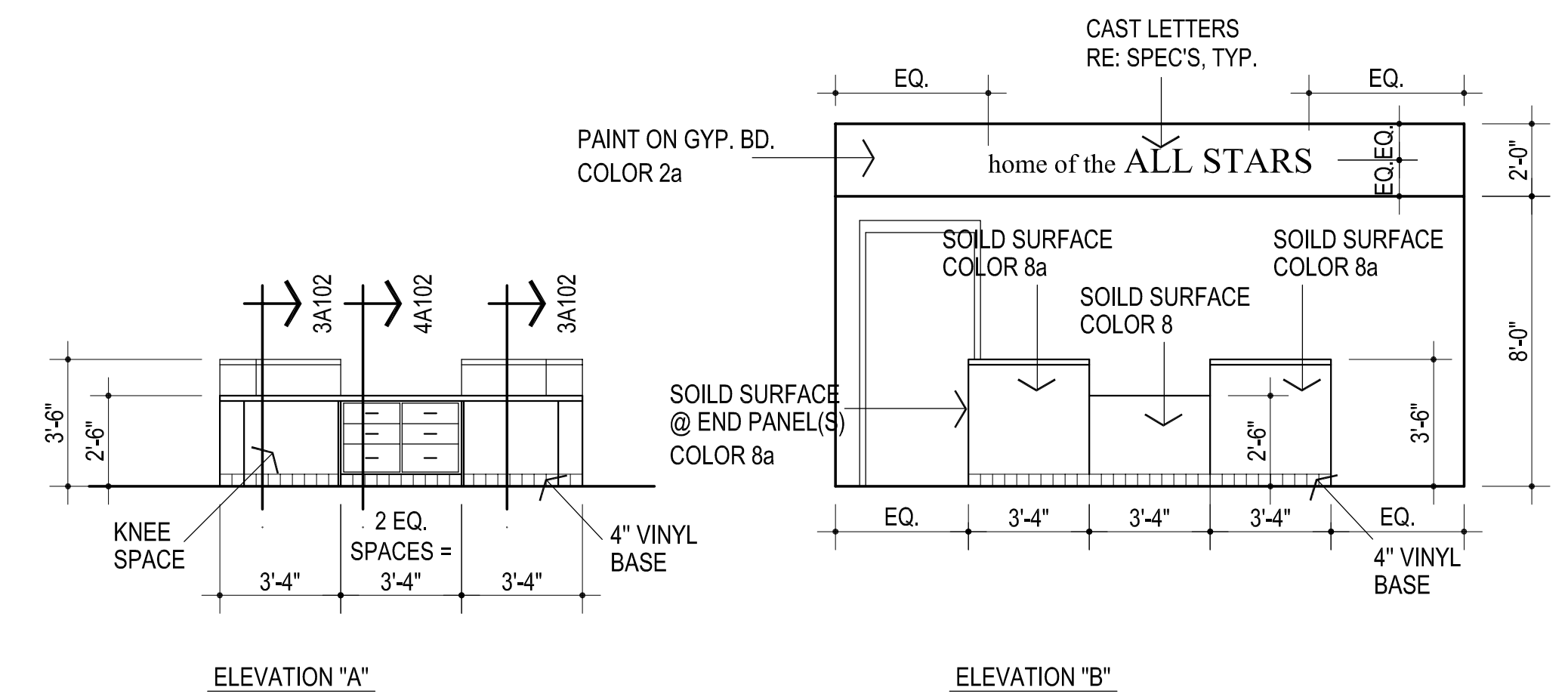


- MISCELLANEOUS NOTES:
- F.E.C. - FIRE EXTINGUISHER AND CABINET
 - EXISTING COLUMNS TO REMAIN PAINT TO MATCH NEW WALLS
 - REVISE DOOR HARDWARE SET - 4a
 - REVISE DOOR HARDWARE SET - 5a

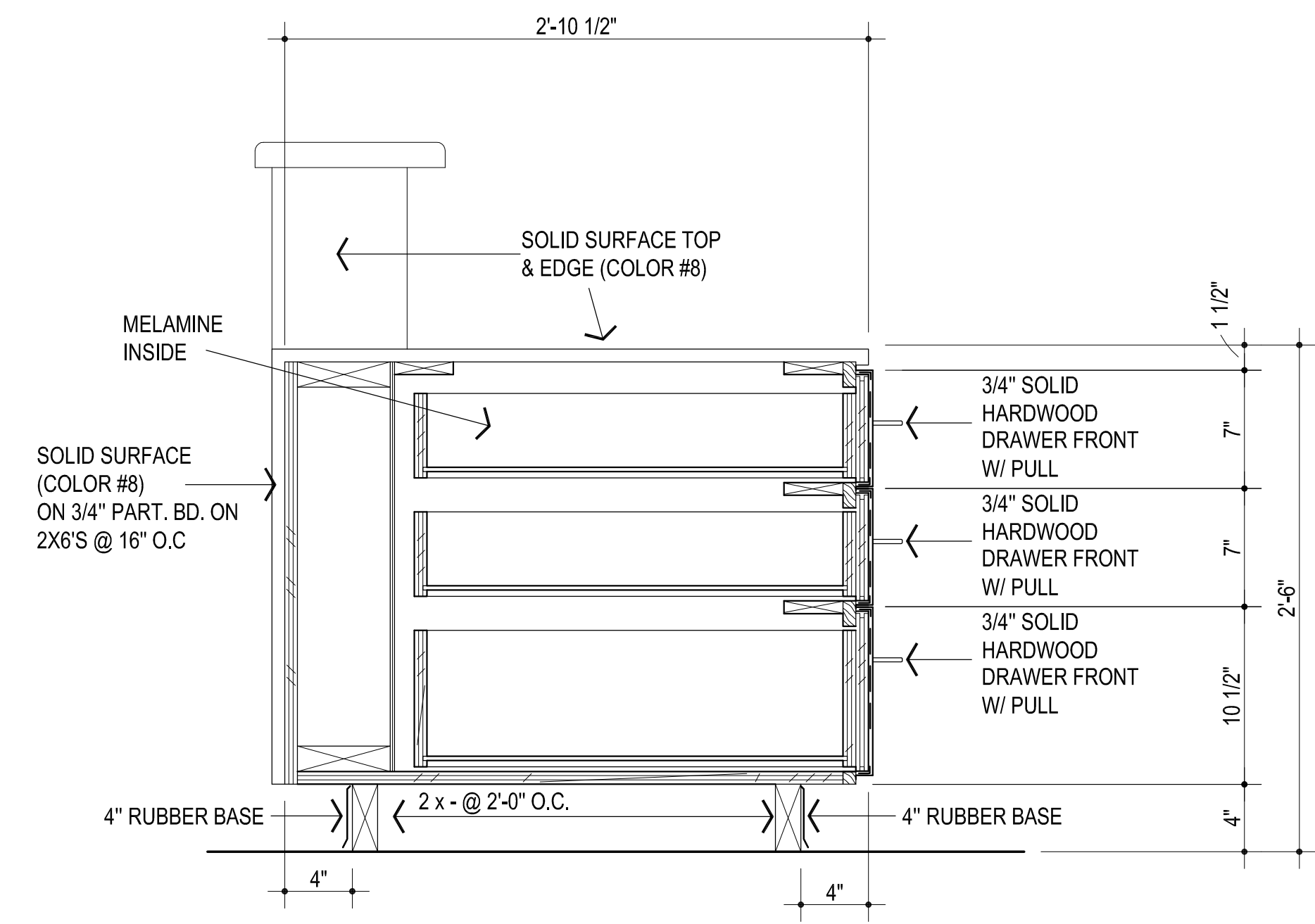
1x12 SOLID RED OAK CAP - EASE ALL EXPOSED CORNERS COUNTER SINK ANCHOR TO SUBFRAMING & PLUG W/ MATCHING MATERIAL PROVIDE @ 16" O.C.



3 SECTION @ COUNTER
1 1/2" = 1'-0"



4 SECTION @ COUNTER
1 1/2" = 1'-0"



201 N. BROADWAY SUITE 210
MOORE, OK. 73160
405.735.3477
AGP@theAGP.net
www.theAGP.net

KFC ENGINEERING
STRUCTURAL
SALAS O'BRIEN
MECHANICAL / ELECTRICAL



CG
drawn by

MA
checked by

MARCH 2023
date

revisions
1 CB-1

MOORE PUBLIC SCHOOLS
BOARD OF EDUCATION
MOORE, OKLAHOMA



OFFICE
ADDITION -
NORTHMOOR
ELEMENTARY SCHOOL

sheet no:
A102

OWNERSHIP USE OF DOCUMENTS:
AGP EXPRESSLY RESERVES ITS COPYRIGHT AND OTHER PROPERTY RIGHTS OF ALL PLANS AND DRAWINGS DESIGNED AND/OR PRODUCED. PLANS AND DRAWINGS ARE NOT TO BE REPRODUCED IN ANY FORM OR MANNER WITHOUT THE EXPRESSED WRITTEN CONSENT OF AGP.

DESCRIPTION	RM. NO.	FLOOR	BASE	CEILING	CLG. HT.	REMARKS	RM. NO.	WALLS	PAINT / COLOR SCHEDULE					
									CLG.	N	E	S	W	REMARKS
VESTIBULE	1				9'-4"		1		(1)	(2a)	(2a)	(2a)	(2a)	(7)(17)
CORRIDOR	2				10'-0"		2		(1)(13)	(2a)	(2a)	(2a)	(2a)	(7)(17)
RECEPTION	3				10'-0" / 9'-4" / 8'-0"		3		(1)(13)	(2)	(2)	(2)	(2)	(6)(7)(8)(9)(10)(11)(16)(2b)(8a)
OFFICE	4				8'-8"		4		(1)(13)	(2)	(2)	(2)	(2)	(6)(7)(15)(16)
CORRIDOR	5				10'-0"		5		(1)(13)	(2a)	(2)	(2)	(2)	(7)(17)

1 ROOM FINISH SCHEDULE

- SCHEDULE ORIENTED SAME AS PLAN
- INDICATES MATERIAL IN A GIVEN AREA
- MATERIAL ON ALL SURFACES
- MATERIAL ON EACH INDIVIDUAL SURFACE
- IF CIRCLE IS BLACKENED - SURFACE TO RECEIVE PAINTER'S FINISH
- IF CIRCLE IS BLANK - SURFACE OR MATERIAL IS PREFINISHED OR NOT PAINTED

- PAINT:**
- (1) GYP. BOARD CEILINGS: SHERWIN-WILLIAMS - SW7006 - EXTRA WHITE
 - (2) WALLS - FIELD: SHERWIN-WILLIAMS - SW7008 - ALABASTER
 - (2a) WALLS - ACCENT: SHERWIN-WILLIAMS - TO BE SELECTED BY ARCHITECT.
 - (2b) WALLS - ACCENT: SHERWIN-WILLIAMS - TO BE SELECTED BY ARCHITECT.
 - (3) H.M. DOORS & FRAMES : SHERWIN-WILLIAMS - SW6992 - INKWELL
 - (4) MISCELLANEOUS METALS / PAINTED EXTERIOR CANOPIES: SHERWIN-WILLIAMS - SW6992 - INKWELL
 - (5) WOOD DOORS & MILLWORK: ARCHITECTURAL WOOD DOORS - CLEAR CL07

- PREFINISHED COLORS:**
- (6) CARPET TILES: INTERFACE AE315 / 105816 GRANITE / AZURE
 - (7) RUBBER WALL BASE: ROPPE - BLACK
 - (8) SOLID SURFACE (COUNTERTOPS) : CORIAN - DEEP CAVIAR
 - (8a) SOLID SURFACE (COUNTERTOPS) : CORIAN - EVENING PRIMA / JUNIPER
 - (9) PLASTIC LAMINATE (FACING AND EDGING) : WILSONART - D315 - PLATINUM
 - (10) VINYL "T" EDGING: - TO BE SELECTED FROM MFR'S STANDARD COLORS
 - (11) MELAMINE: TO BE SELECTED FROM MFR'S STANDARD COLORS
 - (12) NUMBER NOT USED
 - (13) 2 X 2 ACOUSTICAL LAY - IN TILES - TEGULAR EDGE : REFER SPECIFICATIONS
 - (14) INTERIOR SIGNAGE: MOHAWK SIGN SYSTEMS - BLACK BACKGROUND W/ WHITE LETTERS
 - (15) MARKERBOARD: BEST-RITE- WHITE
 - (16) TACKBOARD: BEST-RITE CHALKBOARD CO. -BR-015 - ANTIQUE WHITE
 - (17) VINYL FLOOR TILE - KARNDUAN - COLOR "A" MONTANA LT203 / COLOR "B" INDIANA LLT202
- EXTERIOR COLORS:**
- (18) PREFINISHED METAL COPING: - TO BE VERIFIED WITH ARCHITECT PRIOR TO CONSTRUCTION - MATCH EXISTING
 - (19) MASONRY BRICK VENEER- ACME BRICK : - TO BE VERIFIED WITH ARCHITECT PRIOR TO CONSTRUCTION - MATCH EXISTING

2 COLOR SCHEDULE

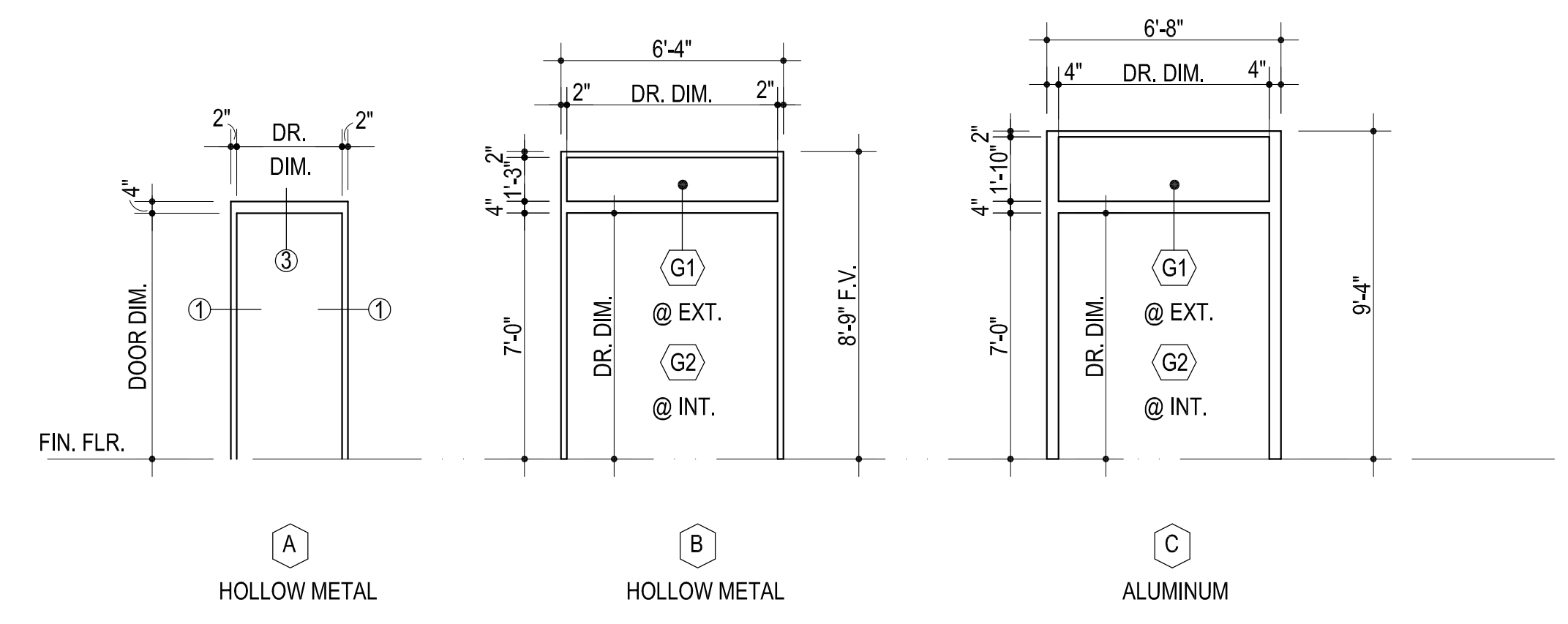
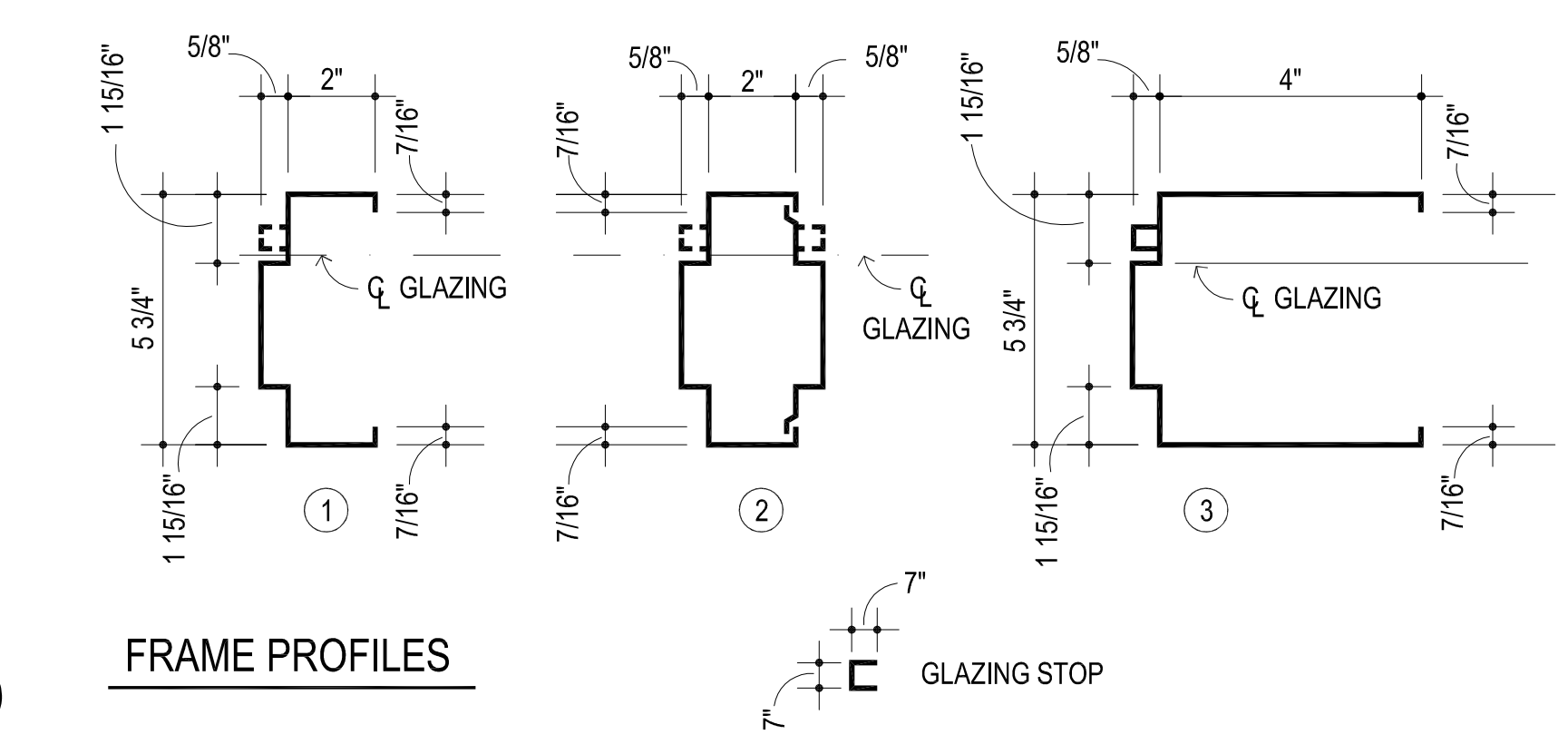
DOOR NO.	LOCATION		DOOR ELEV.	DOOR MATL.	DOOR SIZE			FRAME ELEV.	DOOR DETAILS				REMARKS	HDMR. SET NO.
	FROM	TO			WIDTH	HEIGHT	TH K		HEAD	SILL	JAMB	JAMB		
1	5	EXT.	A	H.M.	PR. 3'-0"	7'-0"	1 3/4"	B	1A501, SIM	15A501	3A501	4A501		1
2	1	EXT.	B	ALUM.	PR. 3'-0"	7'-0"	1 3/4"	C	1A501	15A501	8A501	8A501		2
3	2	1	B	ALUM.	PR. 3'-0"	7'-0"	1 3/4"	C	1A501, SIM	16A501	9A501	9A501		3
4	1	3	A	WD	3'-0"	7'-0"	1 3/4"	A	2A501	16A501	9A501	9A501	20 MIN DOOR & FRAME	4
5	2	3	A	WD	3'-0"	7'-0"	1 3/4"	A	2A501	16A501	9A501	9A501	20 MIN DOOR & FRAME	4a
6	NUMBER NOT USED													
7	3	4	C	WD	3'-0"	7'-0"	1 3/4"	A	2A501	16A501	9A501	9A501		5
8	5	4	C	WD	3'-0"	7'-0"	1 3/4"	A	2A501	16A501	9A501	9A501	20 MIN DOOR & FRAME	5a

3 DOOR SCHEDULE

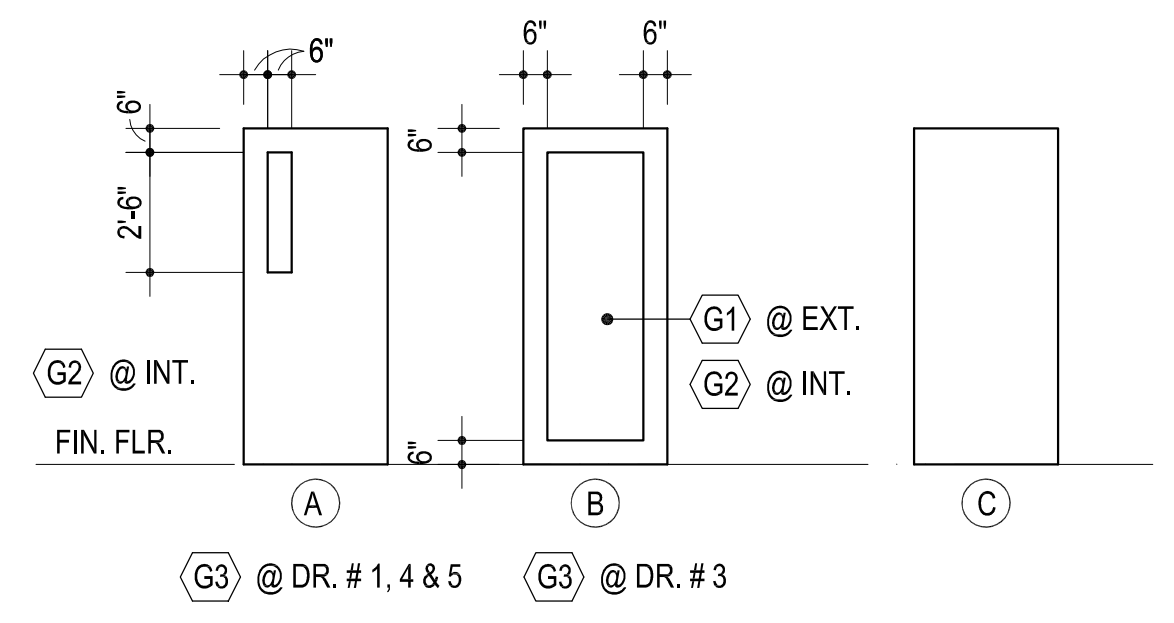
- (G1) 7/8" NOM. TEMPERED INSULATING GLASS
- (G2) 1/4" CLEAR TEMPERED GLASS
- (G3) 1/4" IMPACT RESISTANT GLASS

4 GLAZING SCHEDULE

5 FRAME PROFILES



6 FRAME ELEVATIONS



7 DOOR ELEVATIONS

AGP
the Abla Griffin Partnership L.L.C.
201 N. BROADWAY SUITE 210
MOORE, OK. 73160
405.735.3477
AGP@theAGP.net
www.theAGP.net

KFC ENGINEERING
STRUCTURAL
SALAS O'BRIEN
MECHANICAL / ELECTRICAL



CG
drawn by
MA
checked by
MARCH 2023
date
revisions
CB-1

MOORE PUBLIC SCHOOLS
BOARD OF EDUCATION
MOORE, OKLAHOMA



OFFICE
ADDITION -
NORTHMOOR
ELEMENTARY SCHOOL

sheet no:
A601

OWNERSHIP USE OF DOCUMENTS:
AGP EXPRESSLY RESERVES ITS COPYRIGHT AND OTHER PROPERTY RIGHTS OF ALL PLANS AND DRAWINGS DESIGNED AND/OR PRODUCED. PLANS AND DRAWINGS ARE NOT TO BE REPRODUCED IN ANY FORM OR MANNER WITHOUT THE EXPRESSED WRITTEN CONSENT OF AGP.