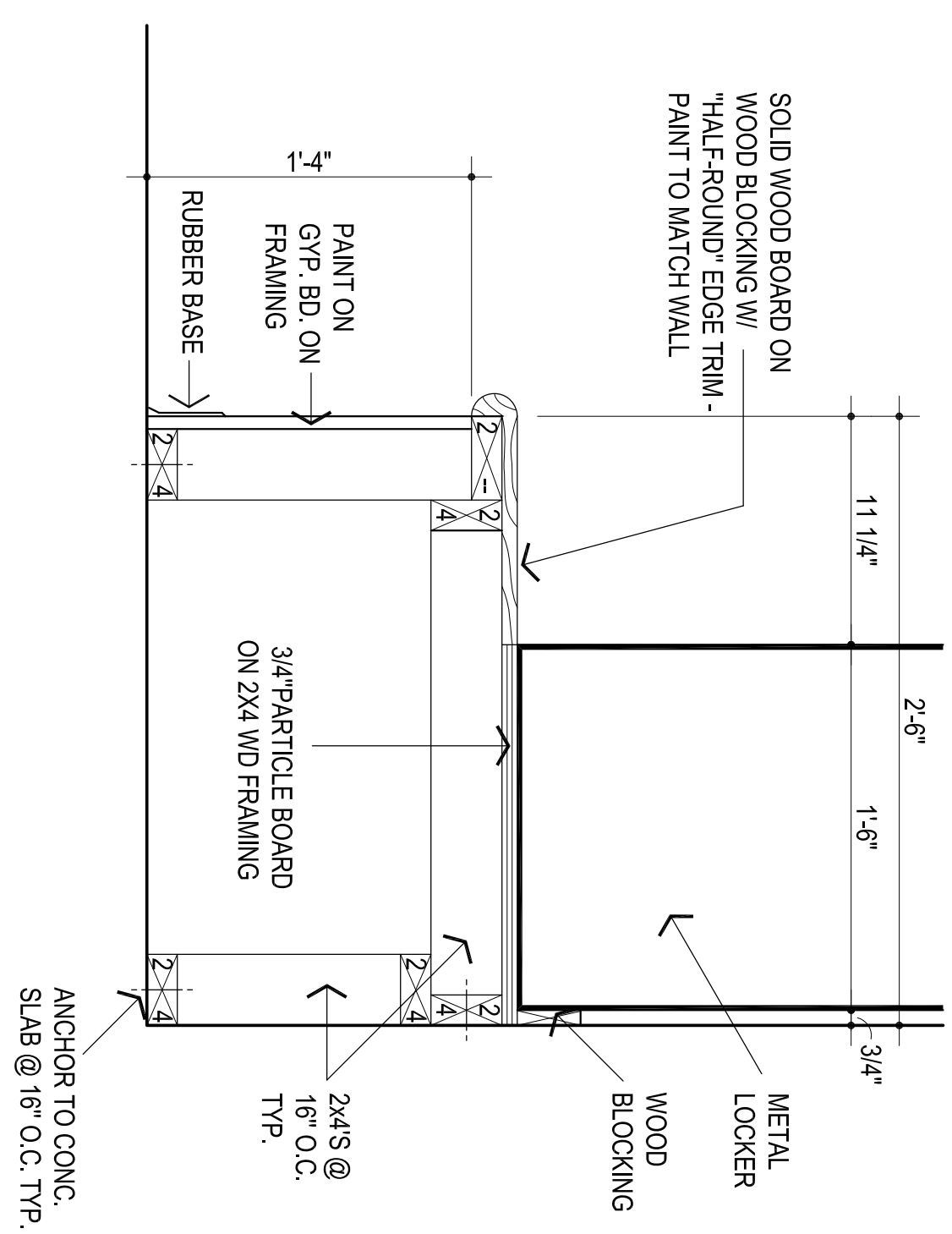


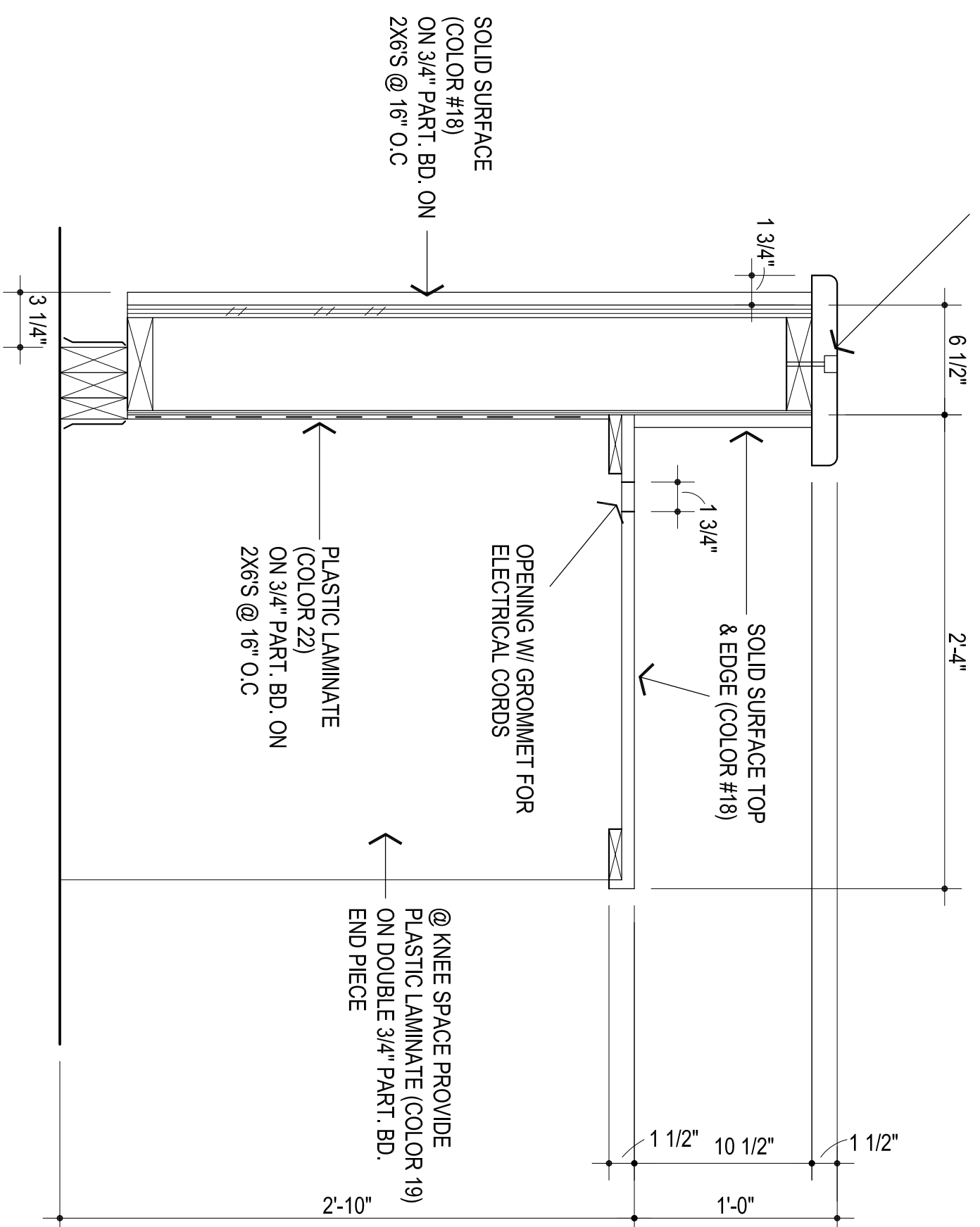


**FRAMELESS
CABINET / EUROPEAN
CONSTRUCTION IS
ACCEPTABLE**

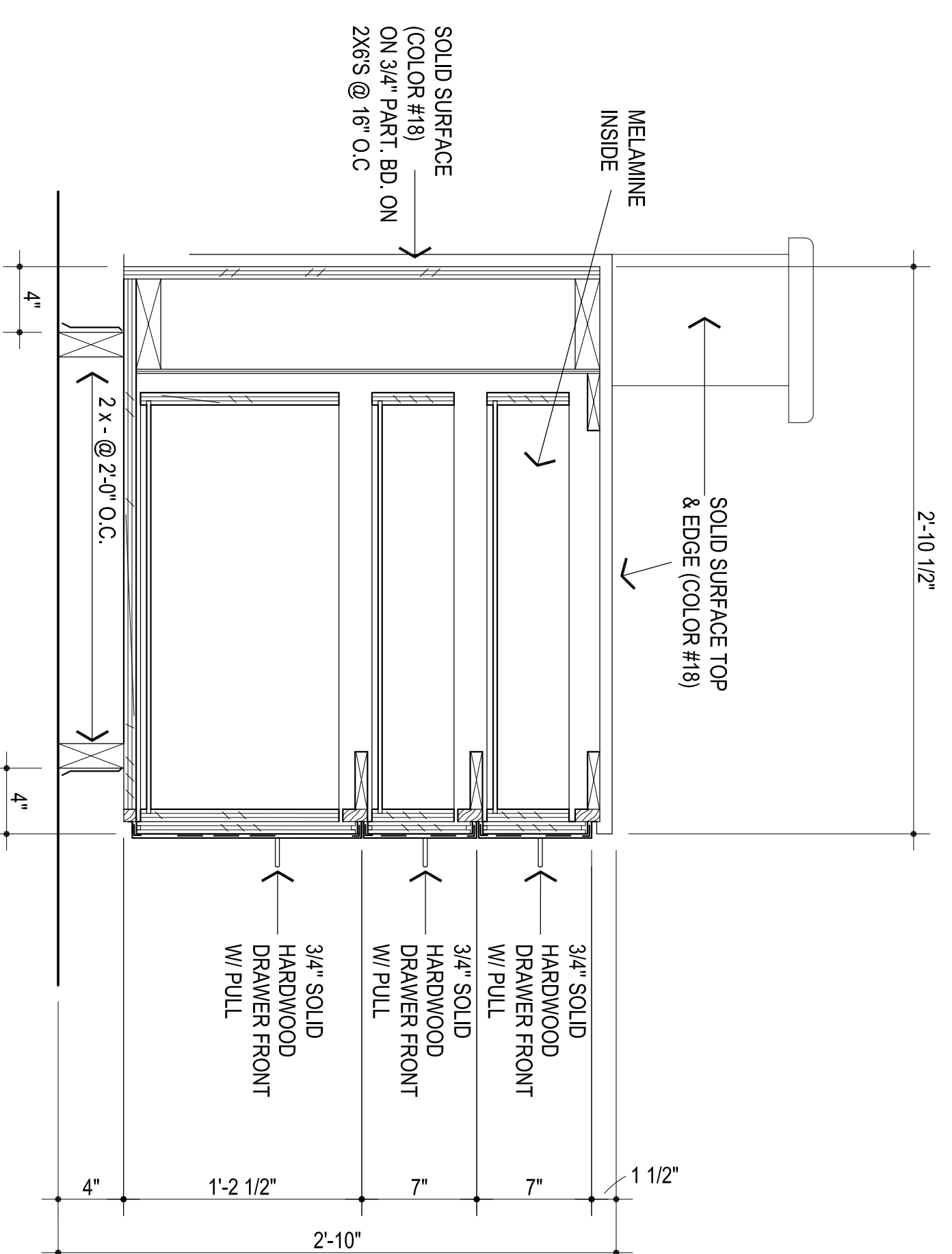
4 LOCKER SUPPORT / SEAT
1-1/2" = 1'-0"



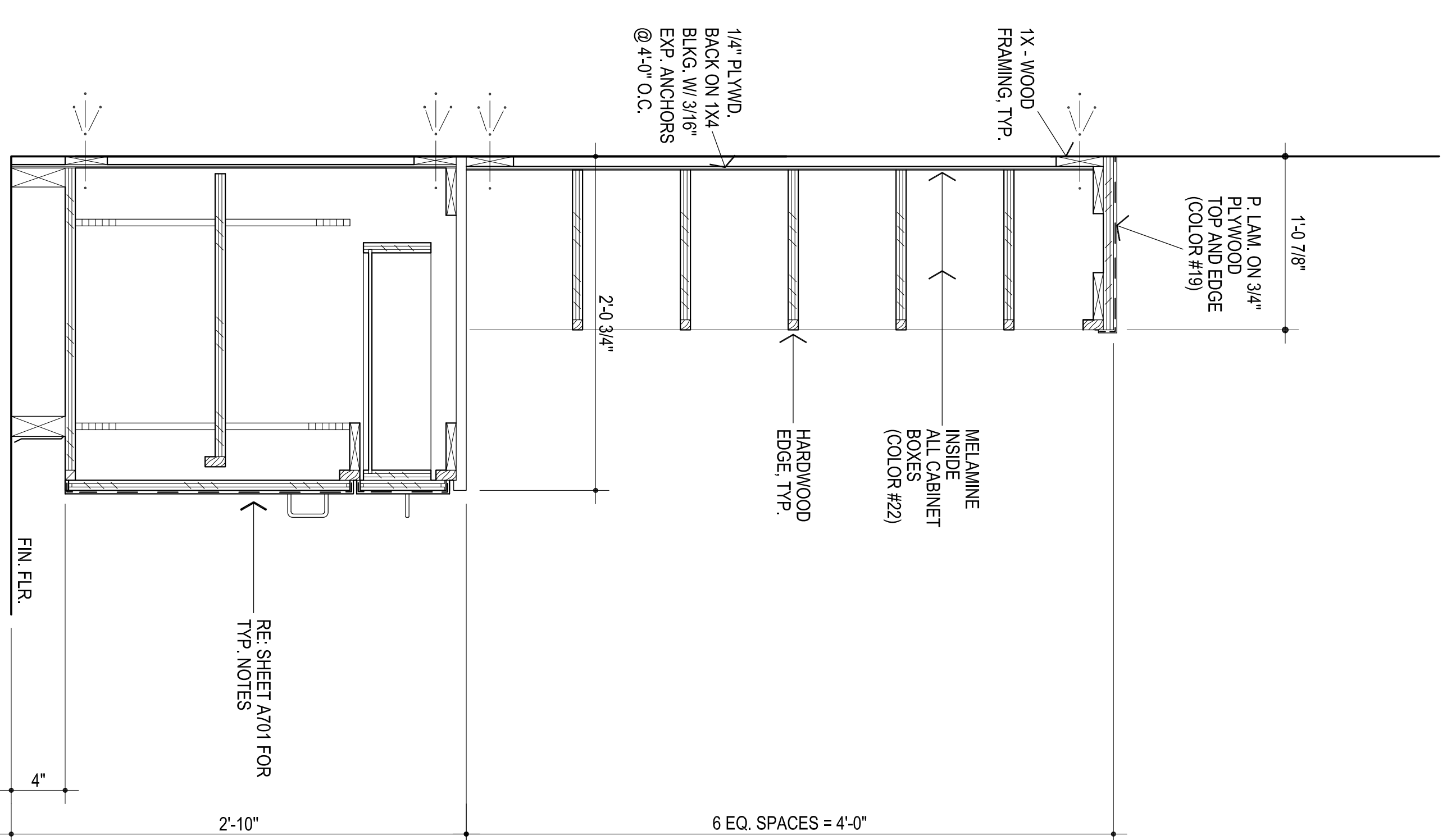
1x12 SOLID RED OAK CAP -
EASE ALL EXPOSED CORNERS
COUNTER SINK ANCHOR TO SUBFRAMING
& PLUG W/ MATCHING MATERIAL.
PROVIDE @ 16\"/>



1 SECTION COUNTER
1-1/2" = 1'-0"



2 SECTION @ COUNTER
1-1/2" = 1'-0"



3 SECTION COUNTER
1-1/2" = 1'-0"