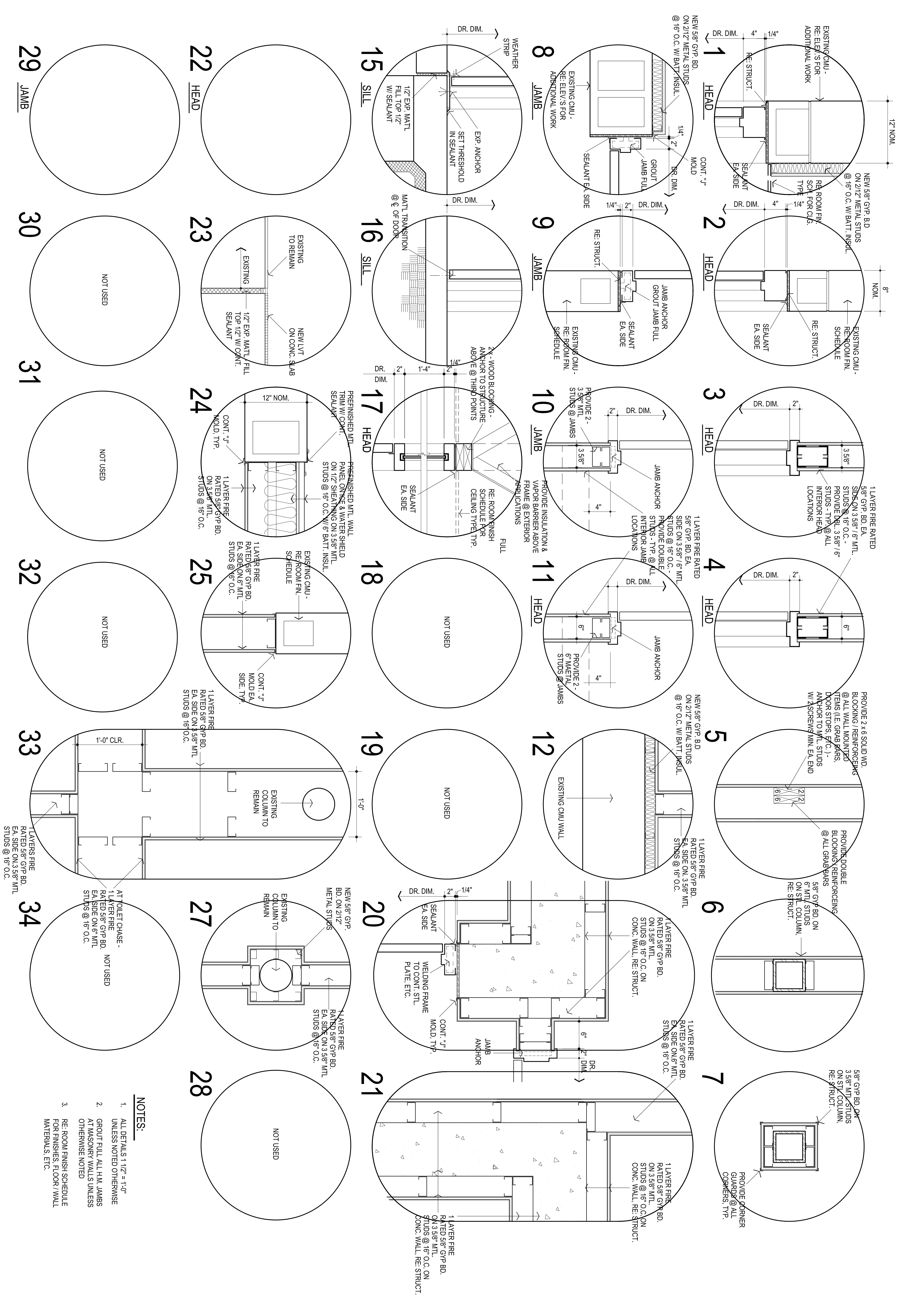


CG	
drawn by	
MA	
checked by	
date	OCTOBER 2024
revisions	



- NOTES:**
1. ALL DETAILS 1 1/2" = 1'-0" UNLESS NOTED OTHERWISE
 2. GROUT FULL ALL H.M. JAMBS AT MASONRY WALLS UNLESS OTHERWISE NOTED
 3. RE: ROOM FINISH SCHEDULE FOR FINISHES, FLOOR / WALL MATERIALS, ETC.