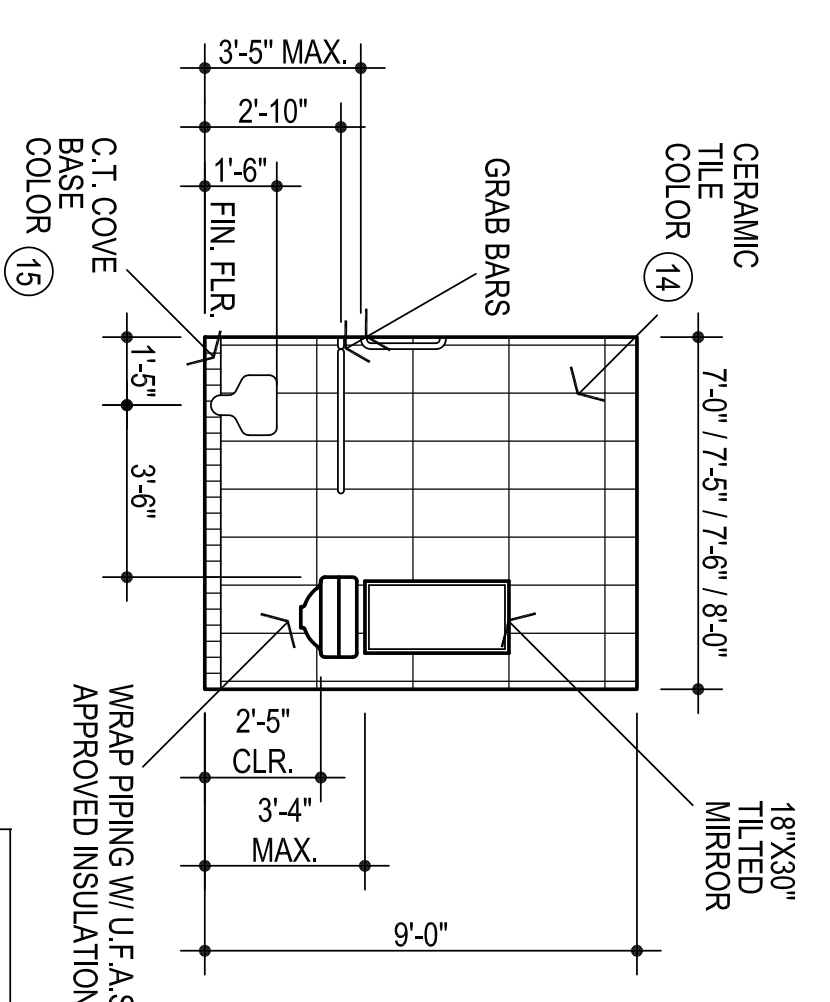
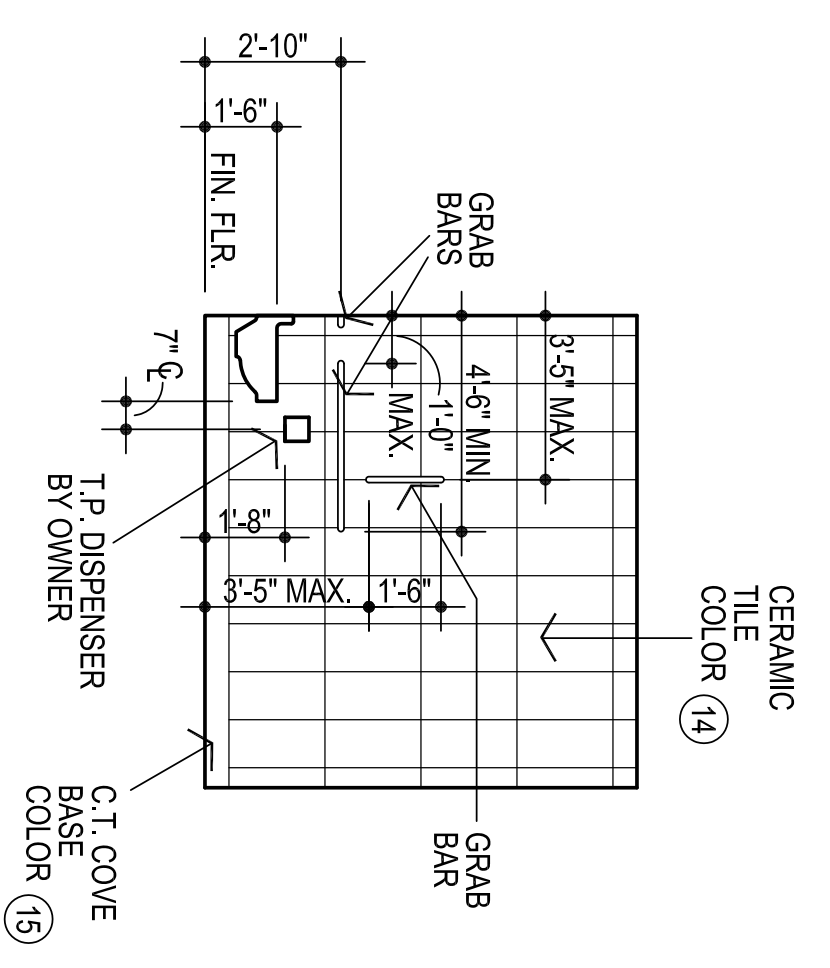


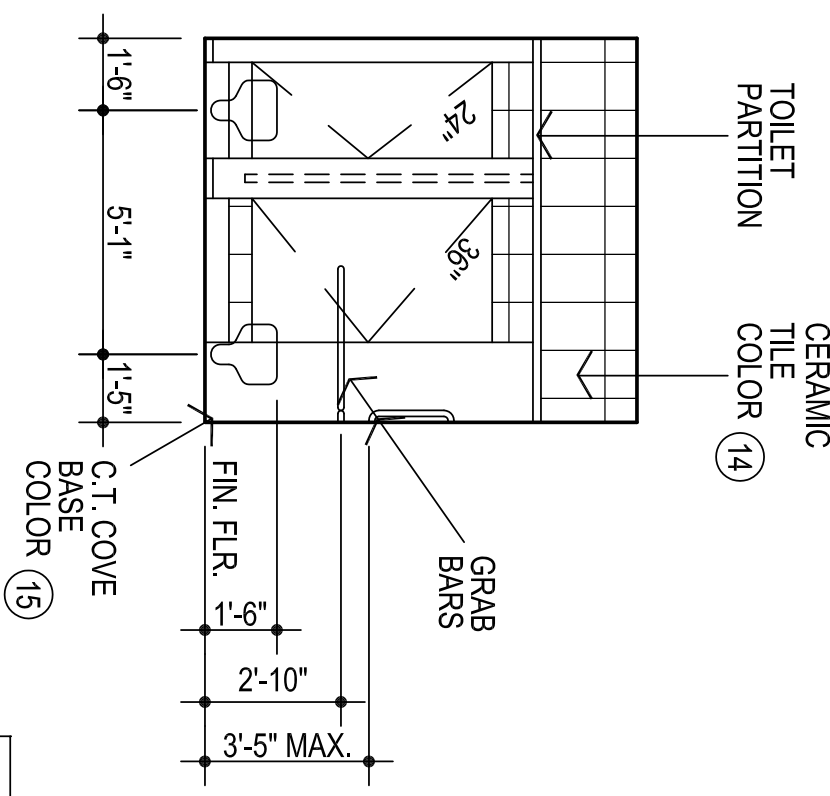
NOTE: CONTRACTOR TO VERIFY THAT THE MOUNTING HEIGHTS & MINIMUM CLEARANCES OF ALL WALL MOUNTED FIXTURES (IE PLUMBING FIXTURES, GRAB BARS, MIRRORS, ETC.) MEET ALL APPLICABLE CODES & STANDARDS PRIOR TO INSTALLATION.



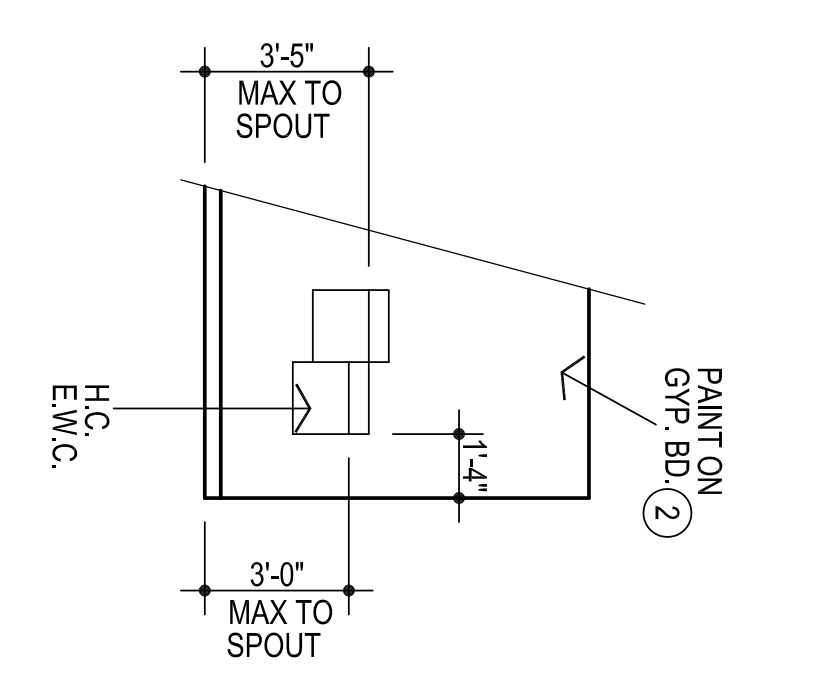
**1**  
TYPICAL SINGLE TOILET  
1/4" = 1'-0"



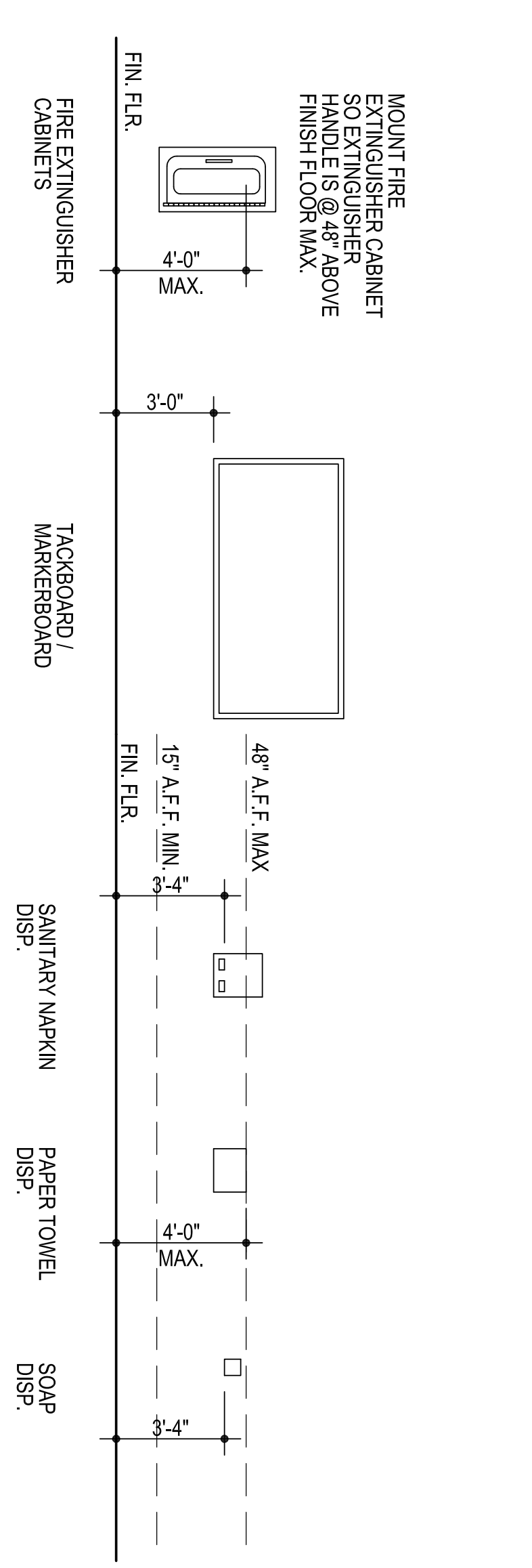
**2**  
HANDICAP ACCESSIBLE W.C.  
1/4" = 1'-0"



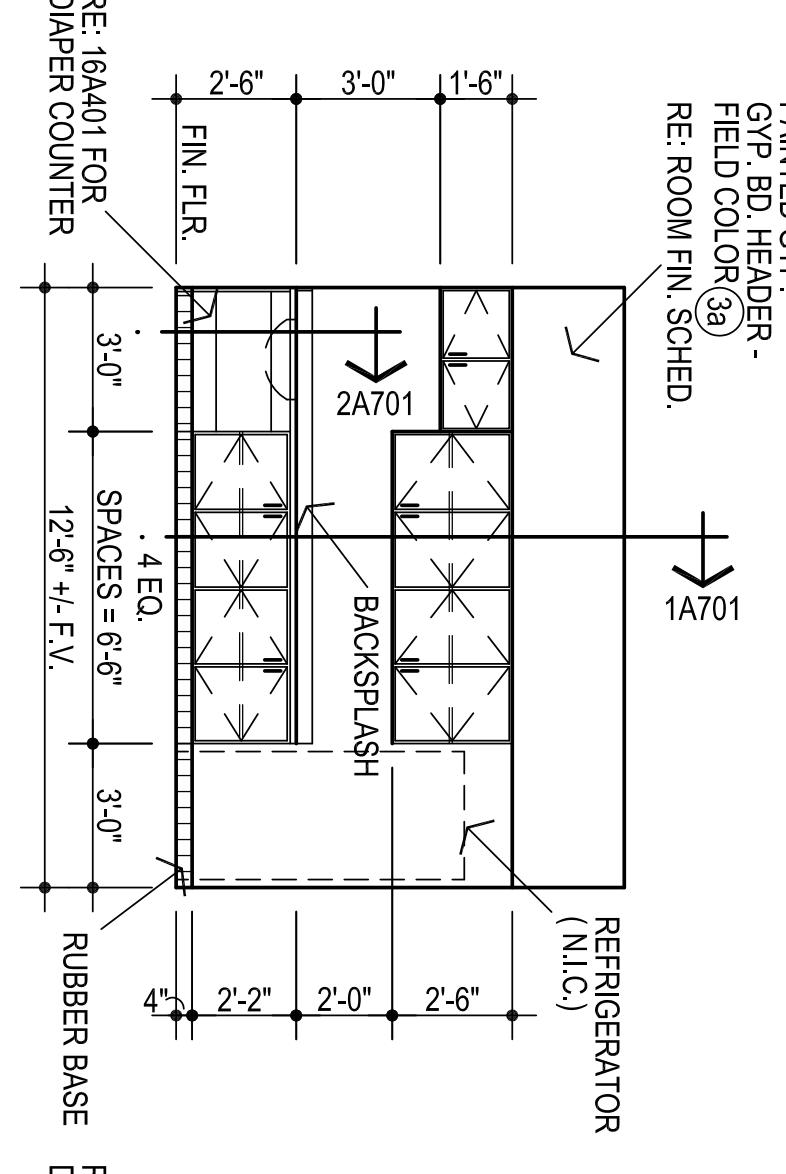
**3**  
TYPICAL DOUBLE TOILET  
1/4" = 1'-0"



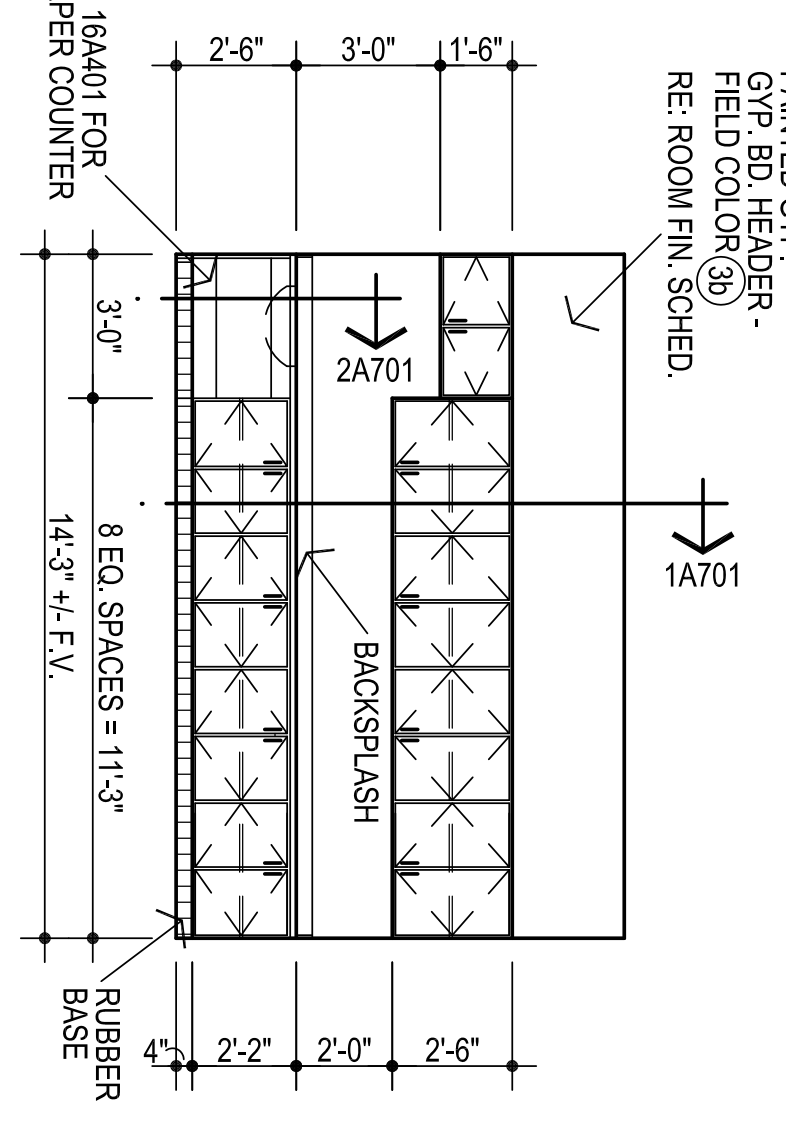
**4**  
TYP. DOUBLE E.W.C.  
1/4" = 1'-0"



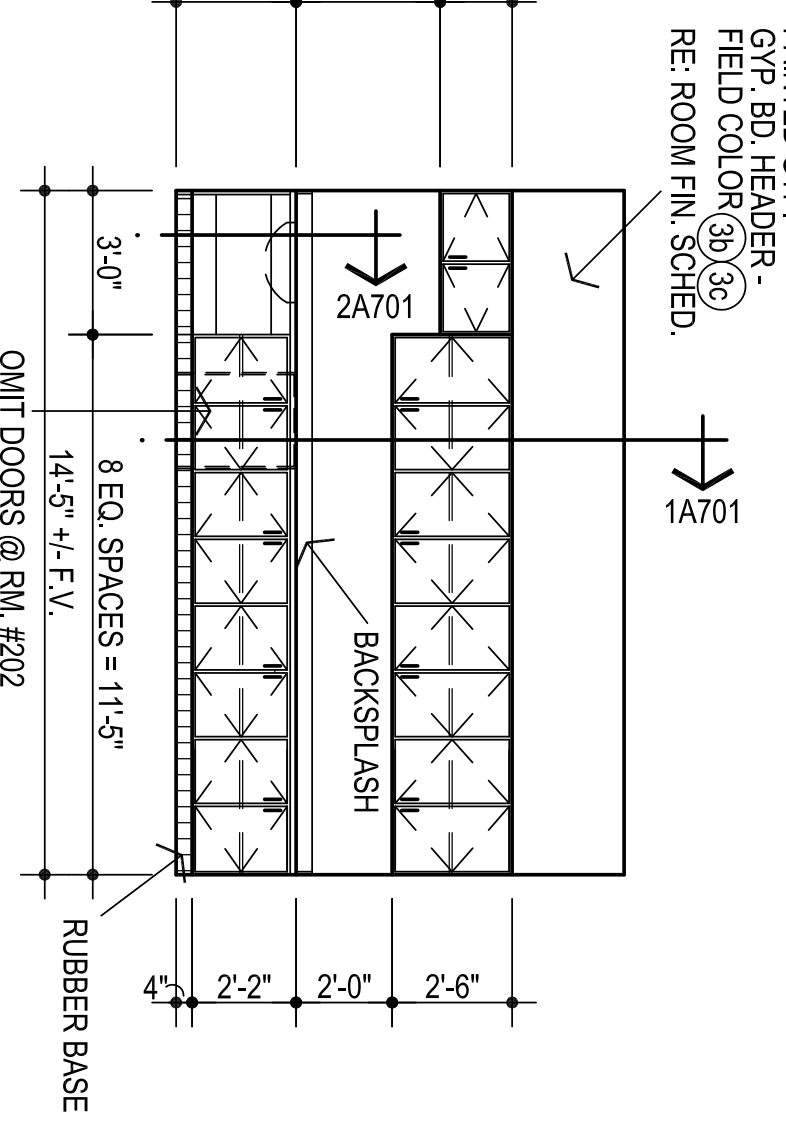
**5**  
TYPICAL MOUNTING HEIGHTS  
1/4" = 1'-0"



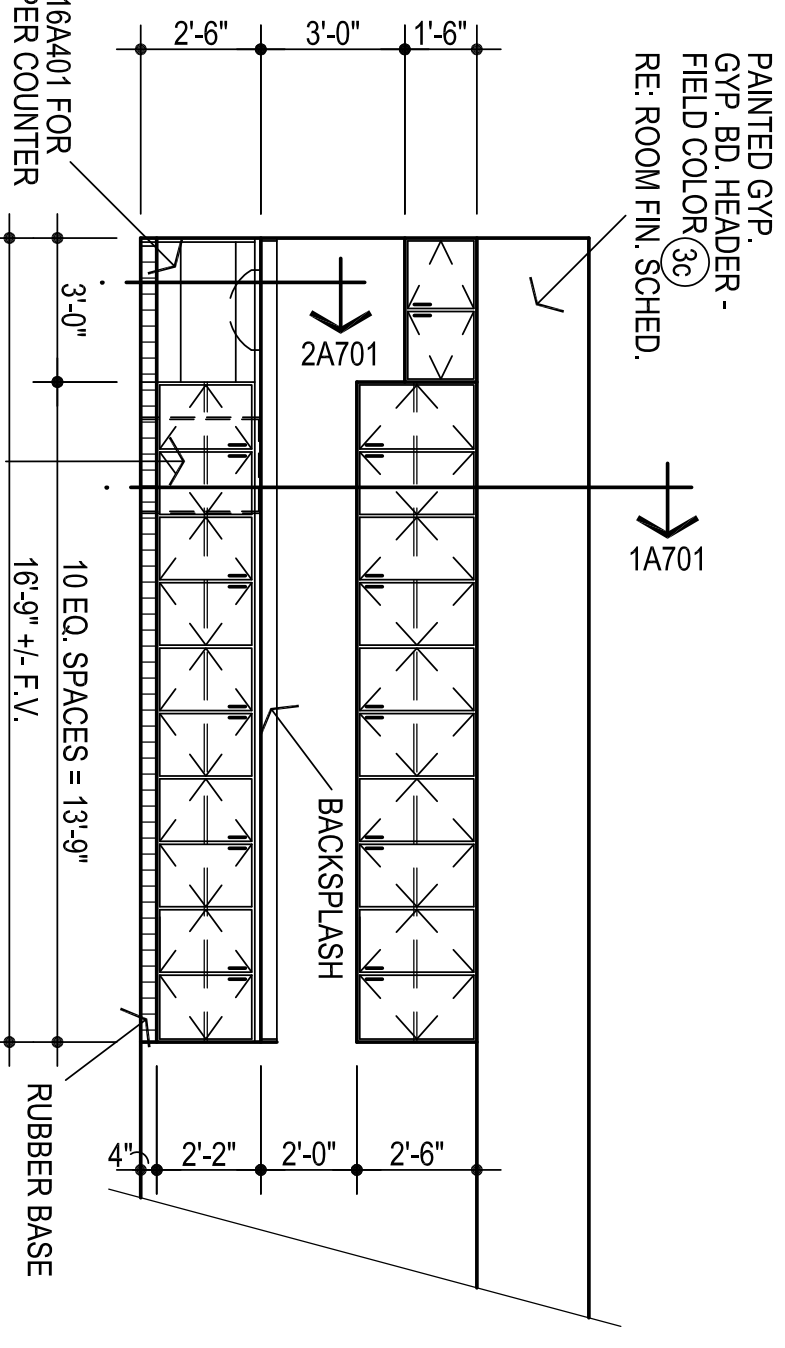
**6**  
TYP. CLASSROOM ELEVATION  
ROOM # 001, 002, 003, 004, & 005  
1/4" = 1'-0"



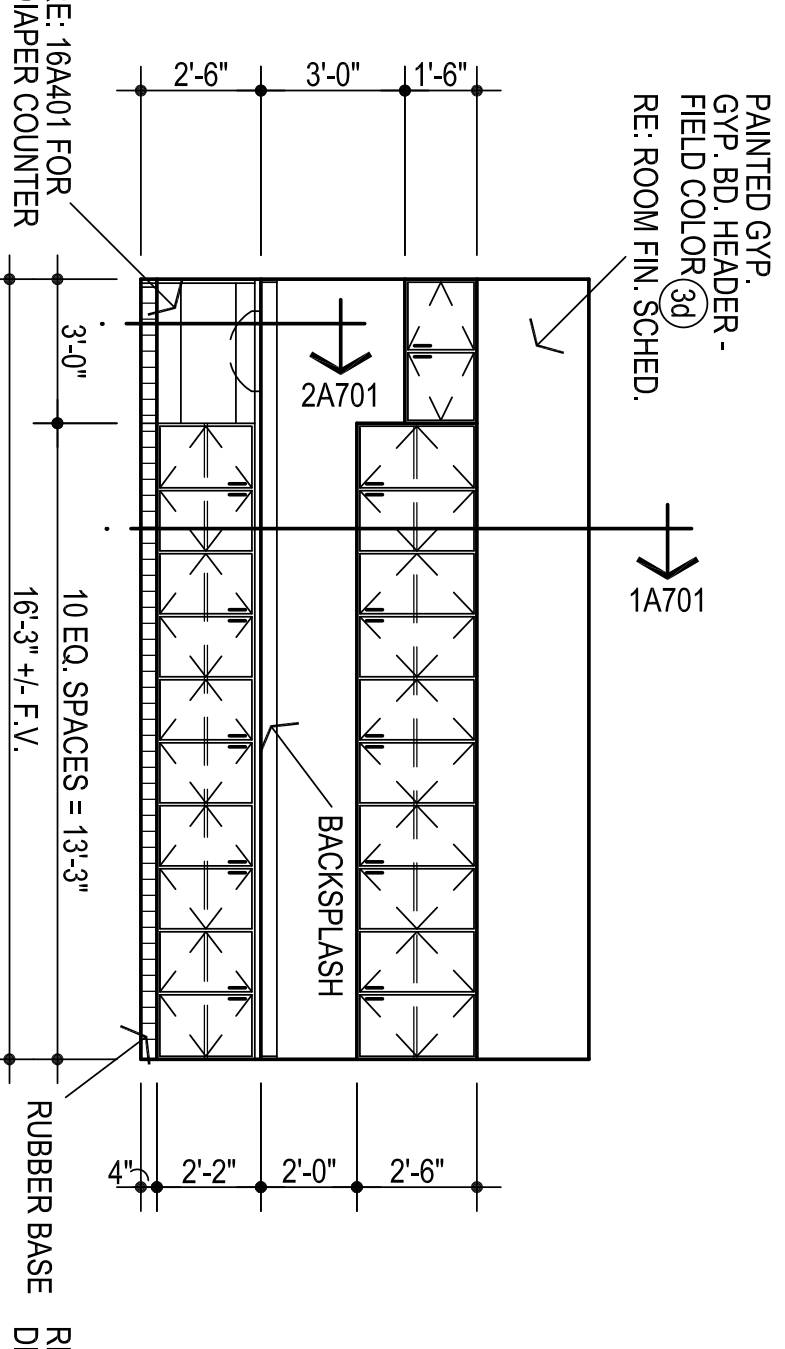
**7**  
TYP. CLASSROOM ELEVATION  
ROOM # 101, 102, & 103  
1/4" = 1'-0"



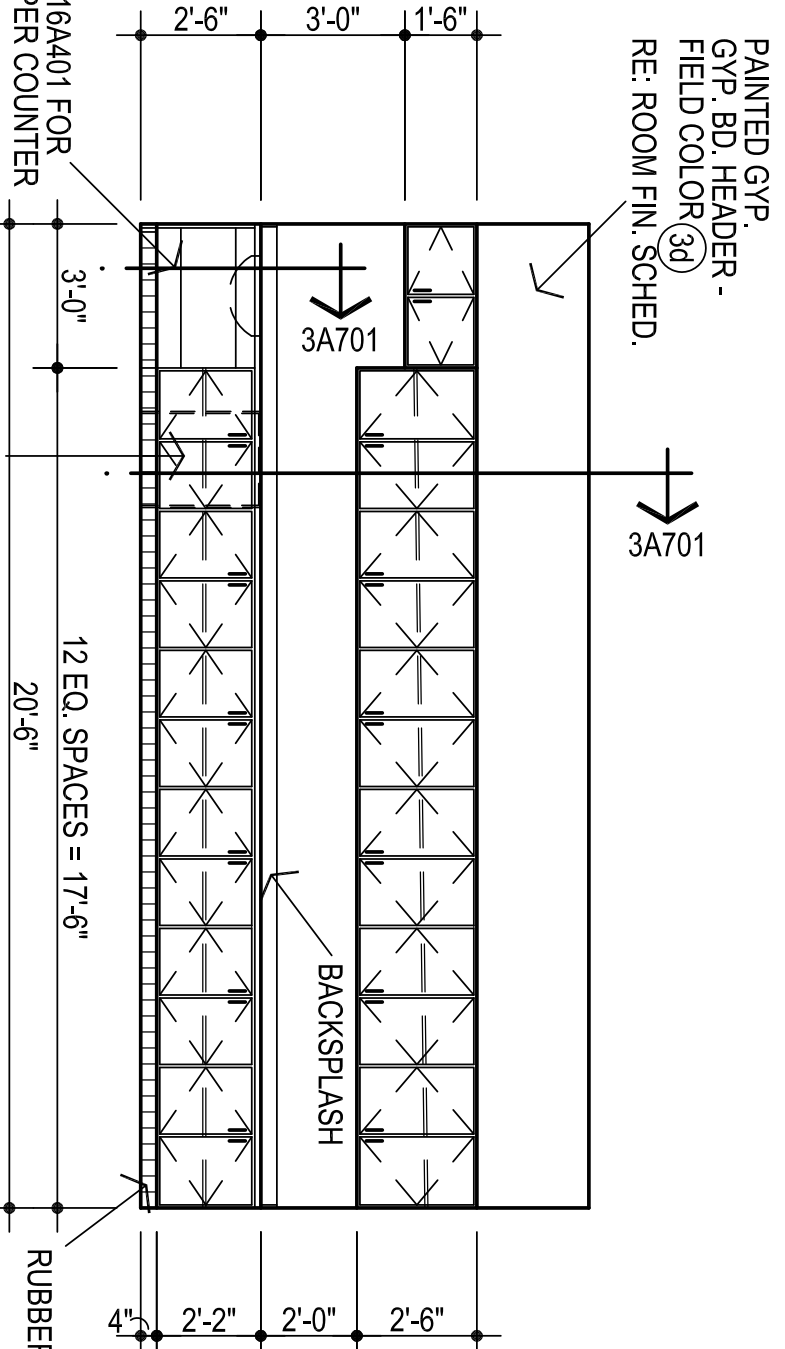
**8**  
TYP. CLASSROOM ELEVATION  
ROOM # 104, 105, 202 & 203  
1/4" = 1'-0"



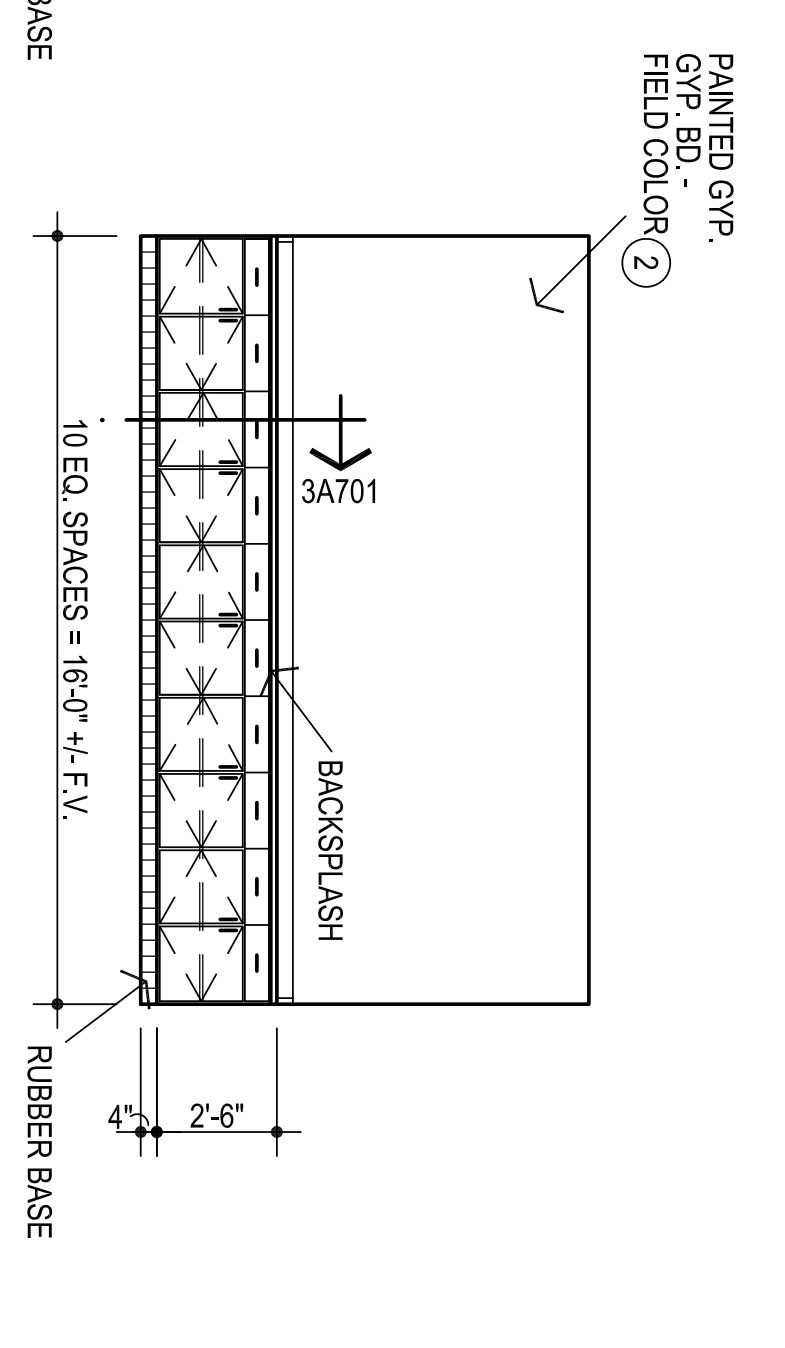
**9**  
TYP. CLASSROOM ELEVATION  
ROOM # 201, 204 & 205  
1/4" = 1'-0"



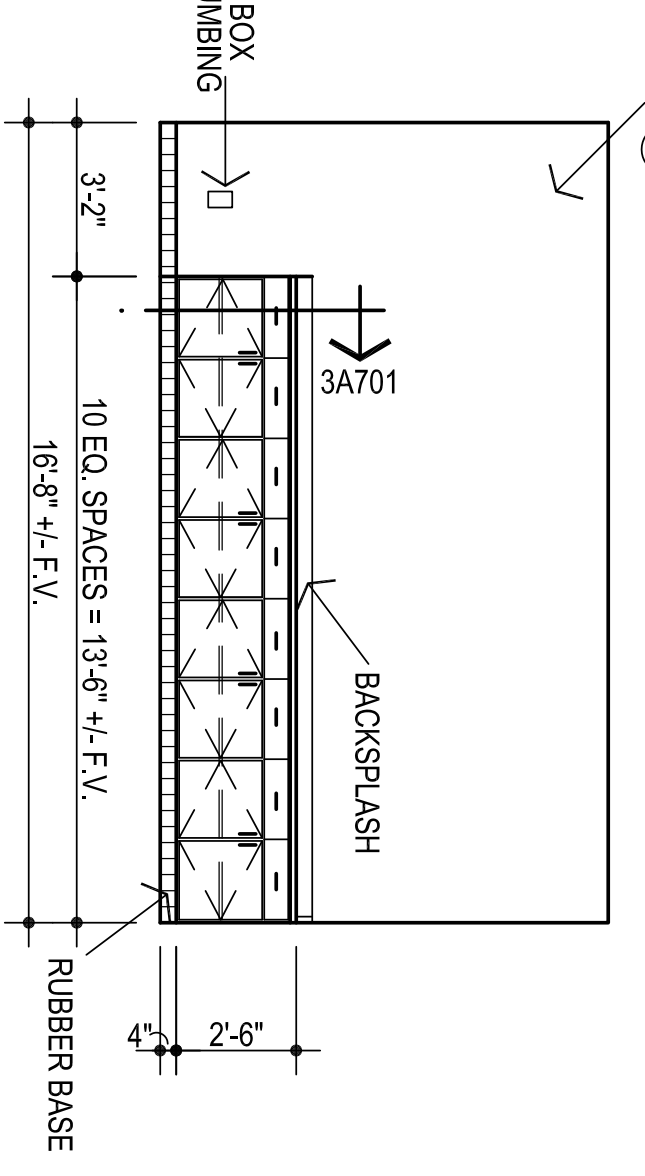
**10**  
TYP. CLASSROOM ELEVATION  
ROOM # 301, 302, 303 & 304  
1/4" = 1'-0"



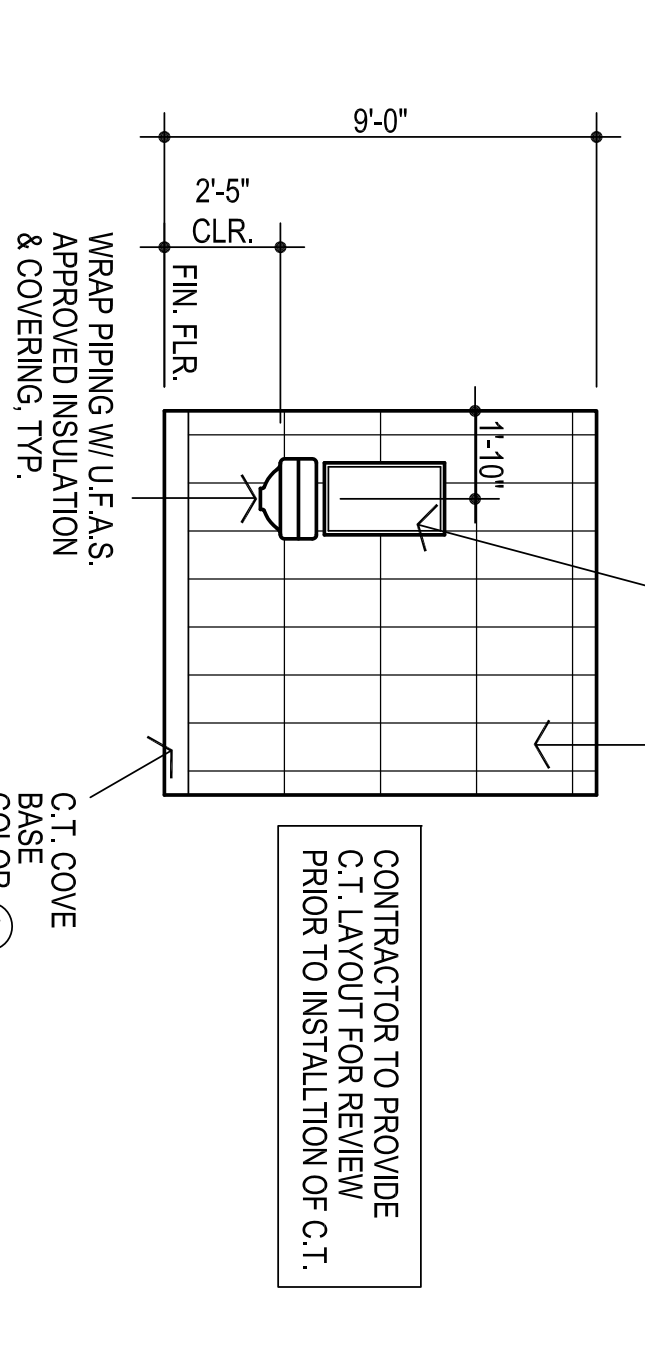
**11**  
TYP. CLASSROOM ELEVATION  
ROOM # 305  
1/4" = 1'-0"



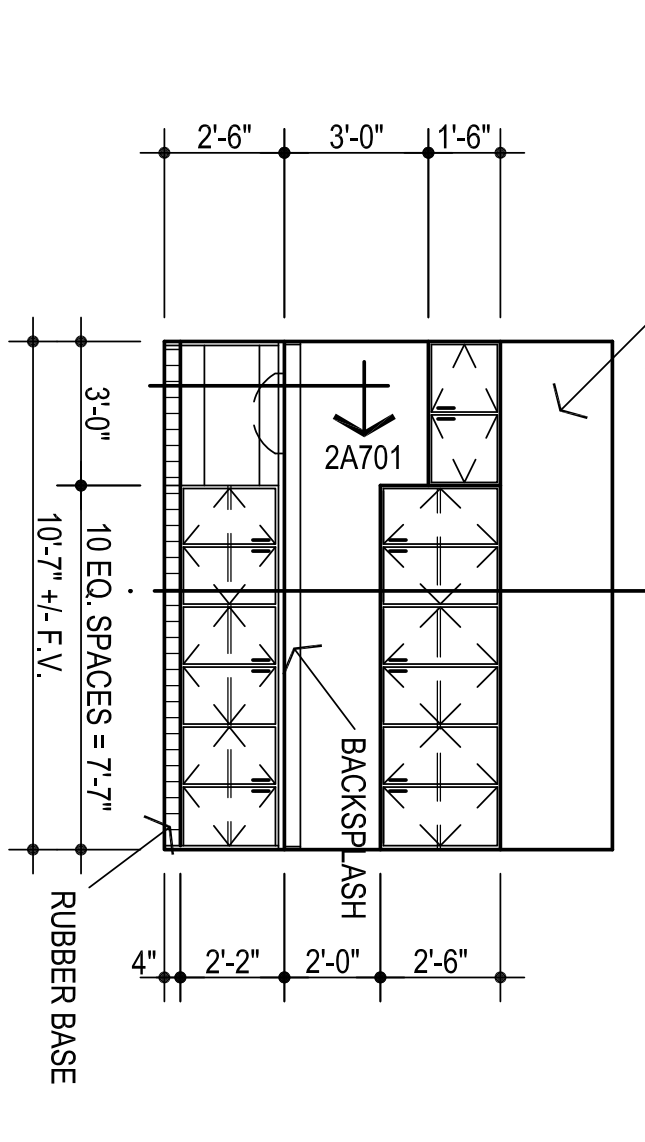
**12**  
E. WALL ROOM # 409  
1/4" = 1'-0"



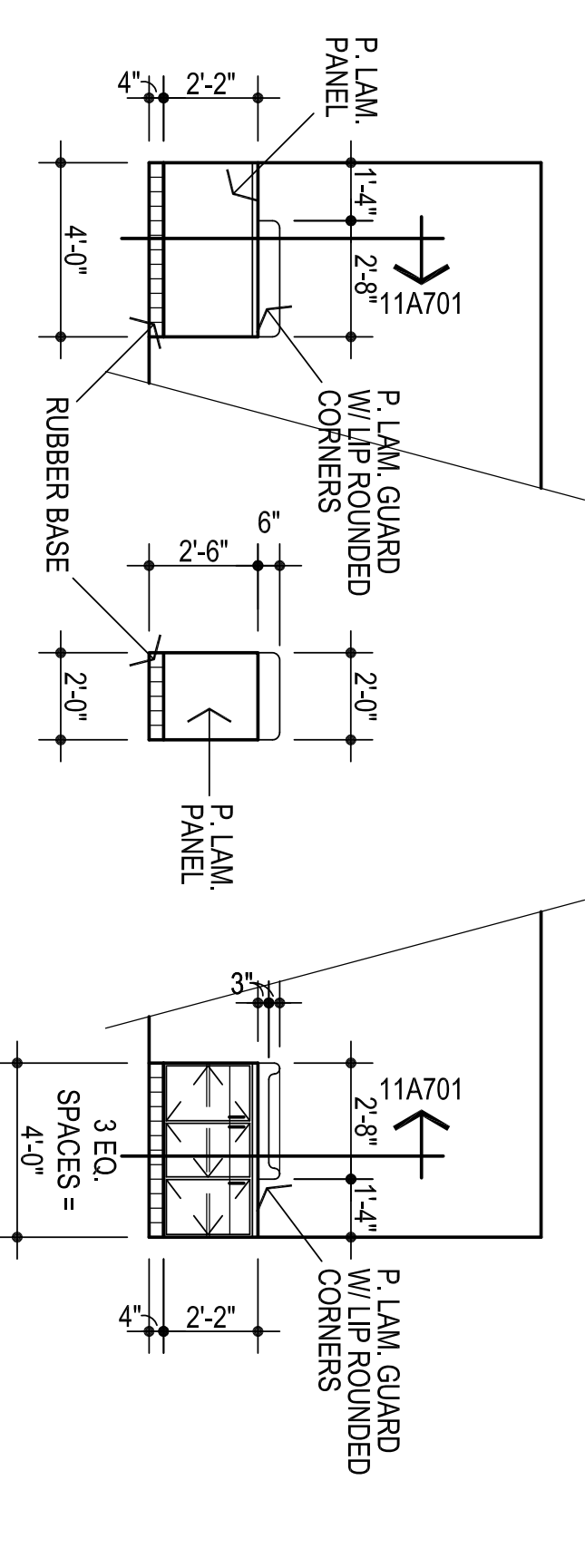
**13**  
E. WALL ROOM # 410  
1/4" = 1'-0"



**14**  
TYPICAL DOUBLE TOILET  
1/4" = 1'-0"



**15**  
N. WALL ROOM # 436  
1/4" = 1'-0"



**16**  
TYP. DIAPER COUNTER  
1/4" = 1'-0"