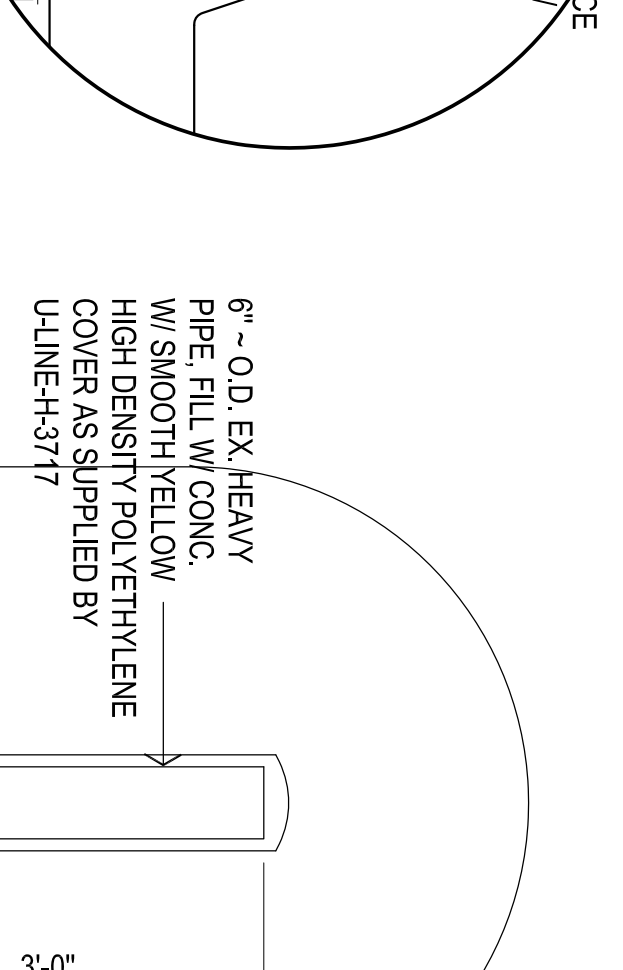
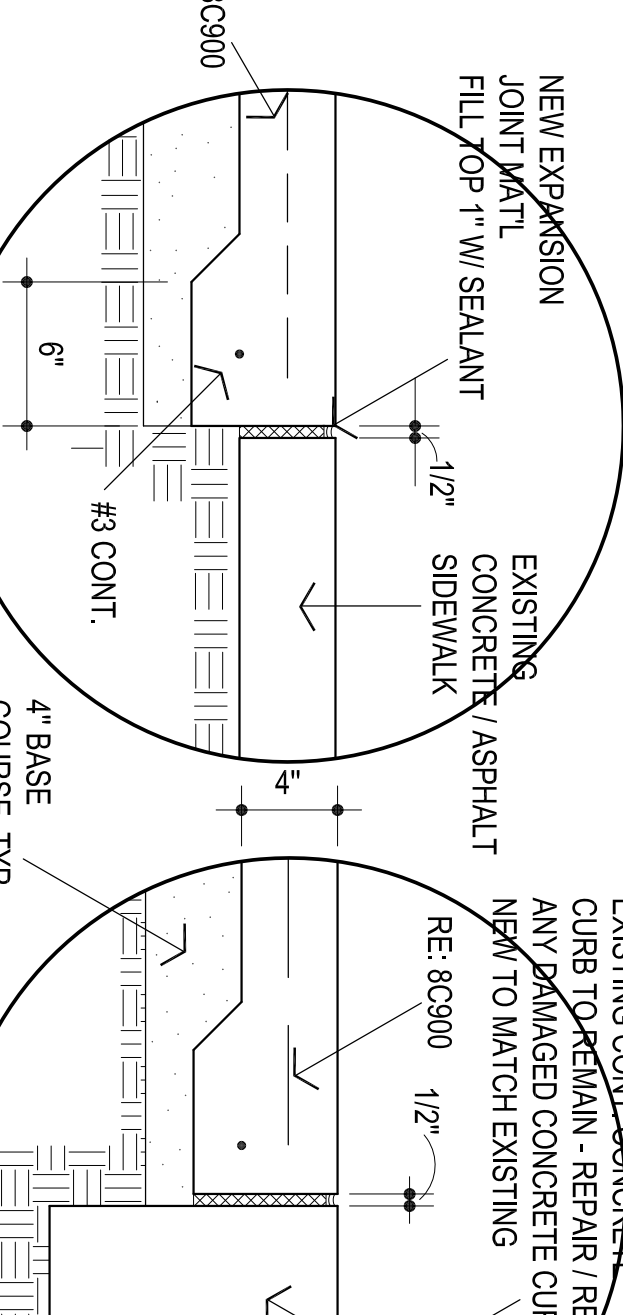
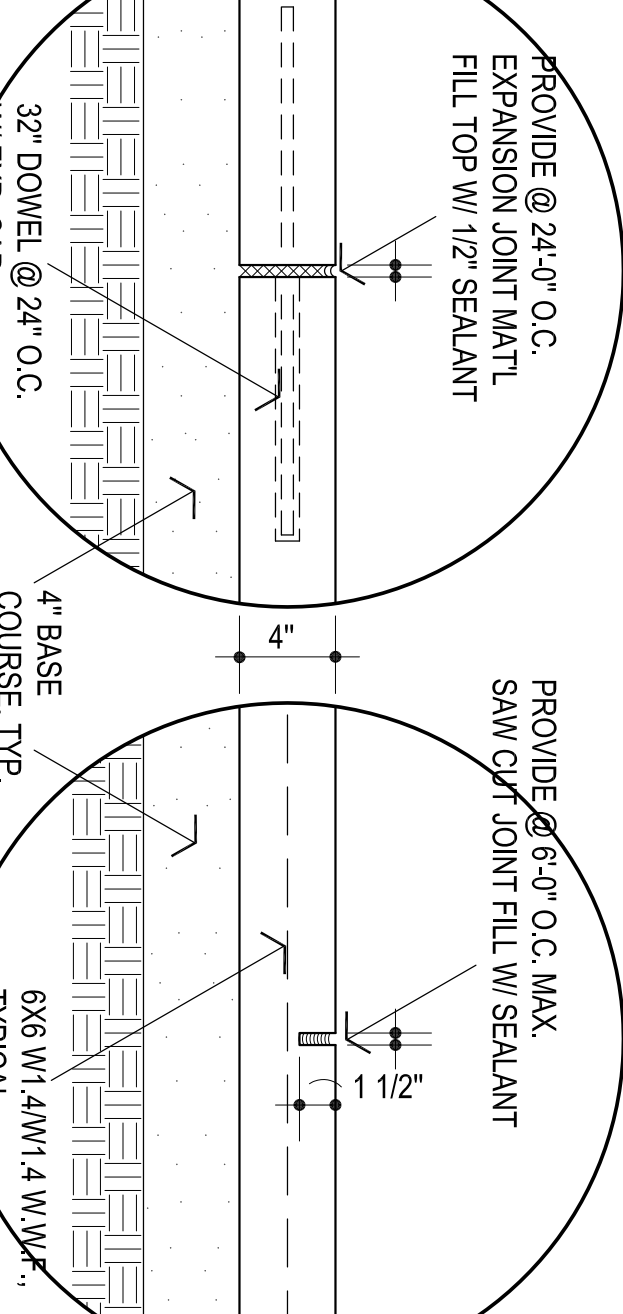
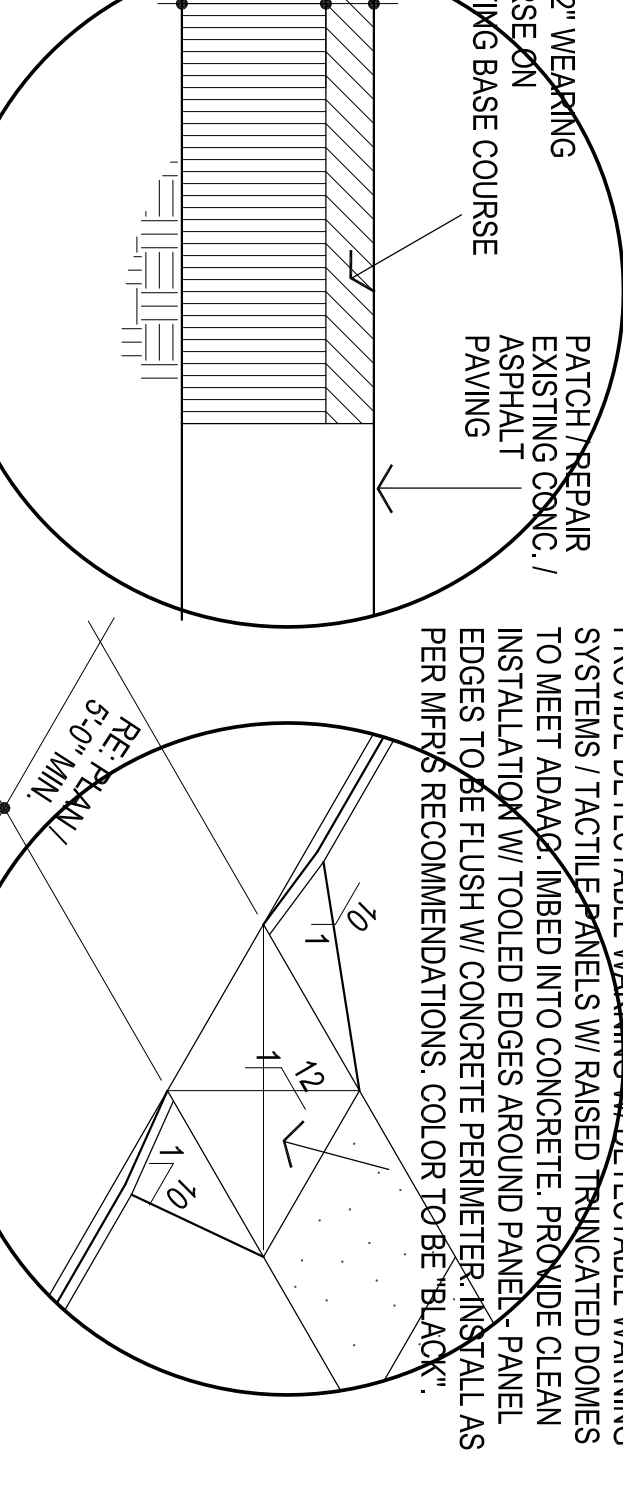
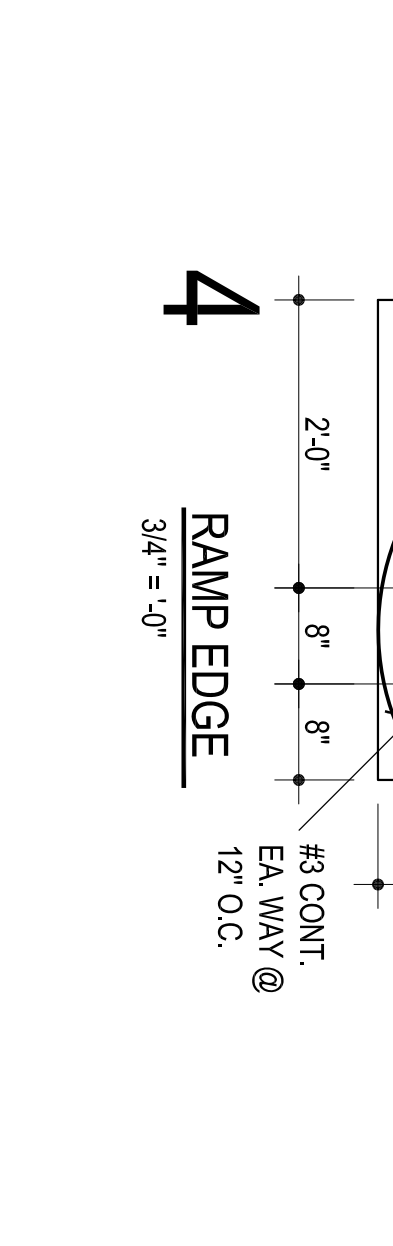
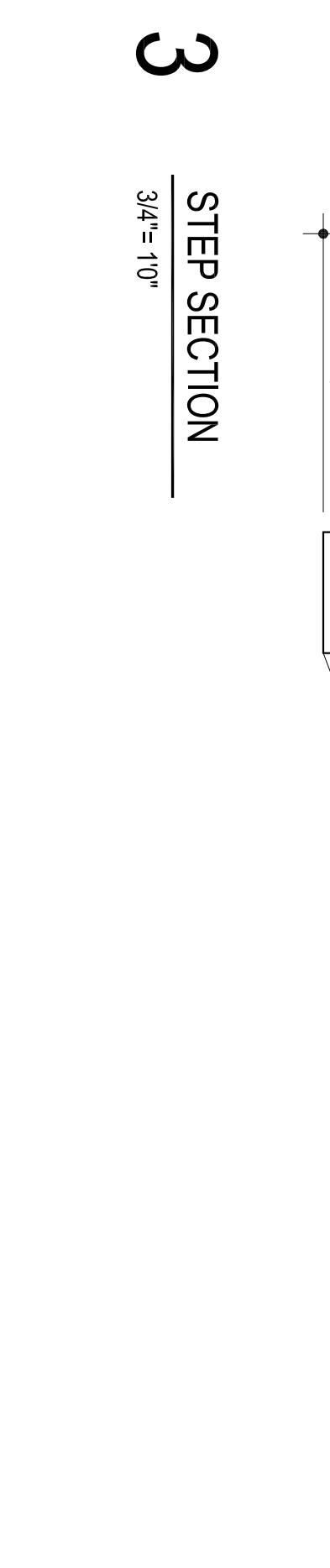
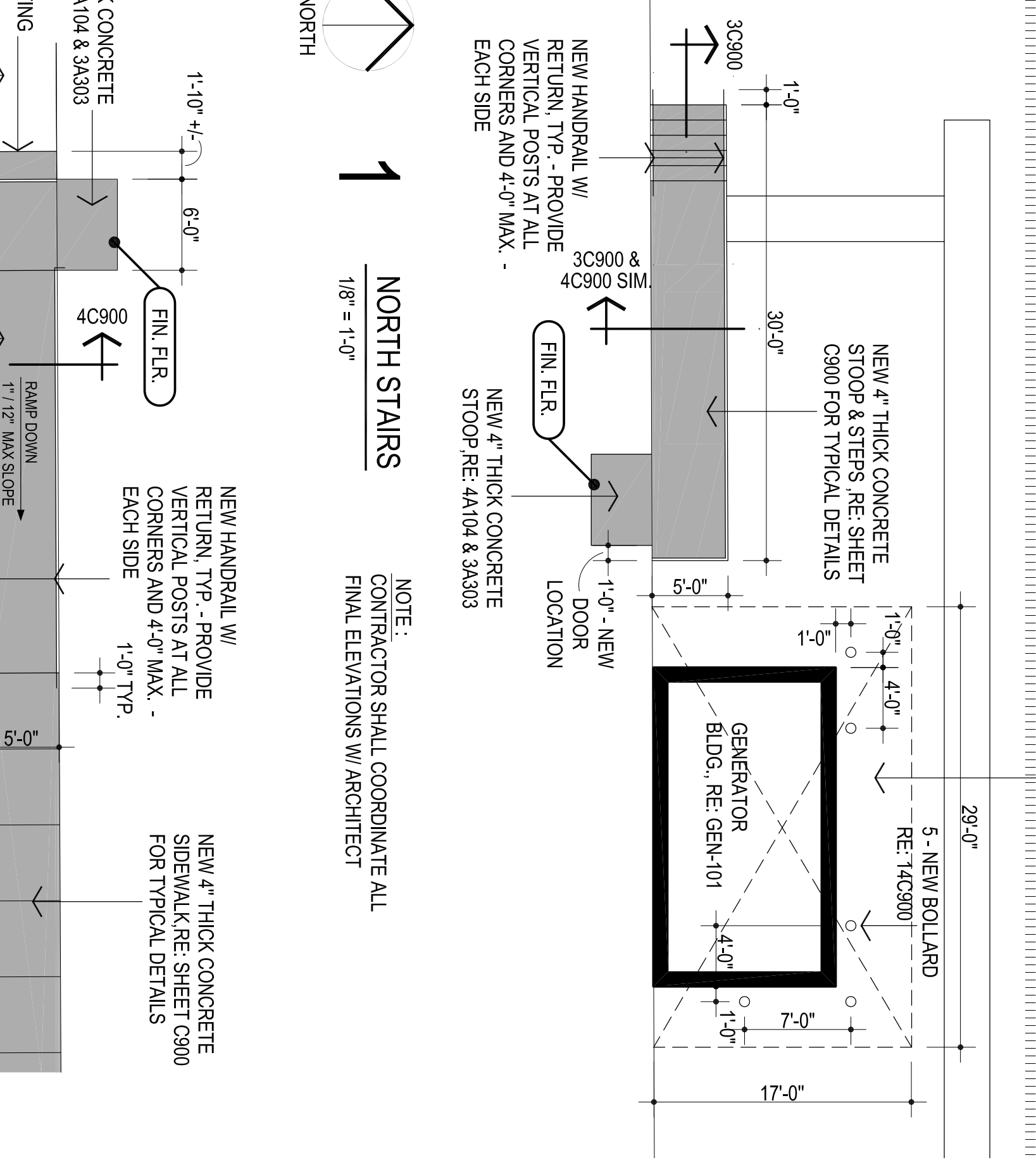
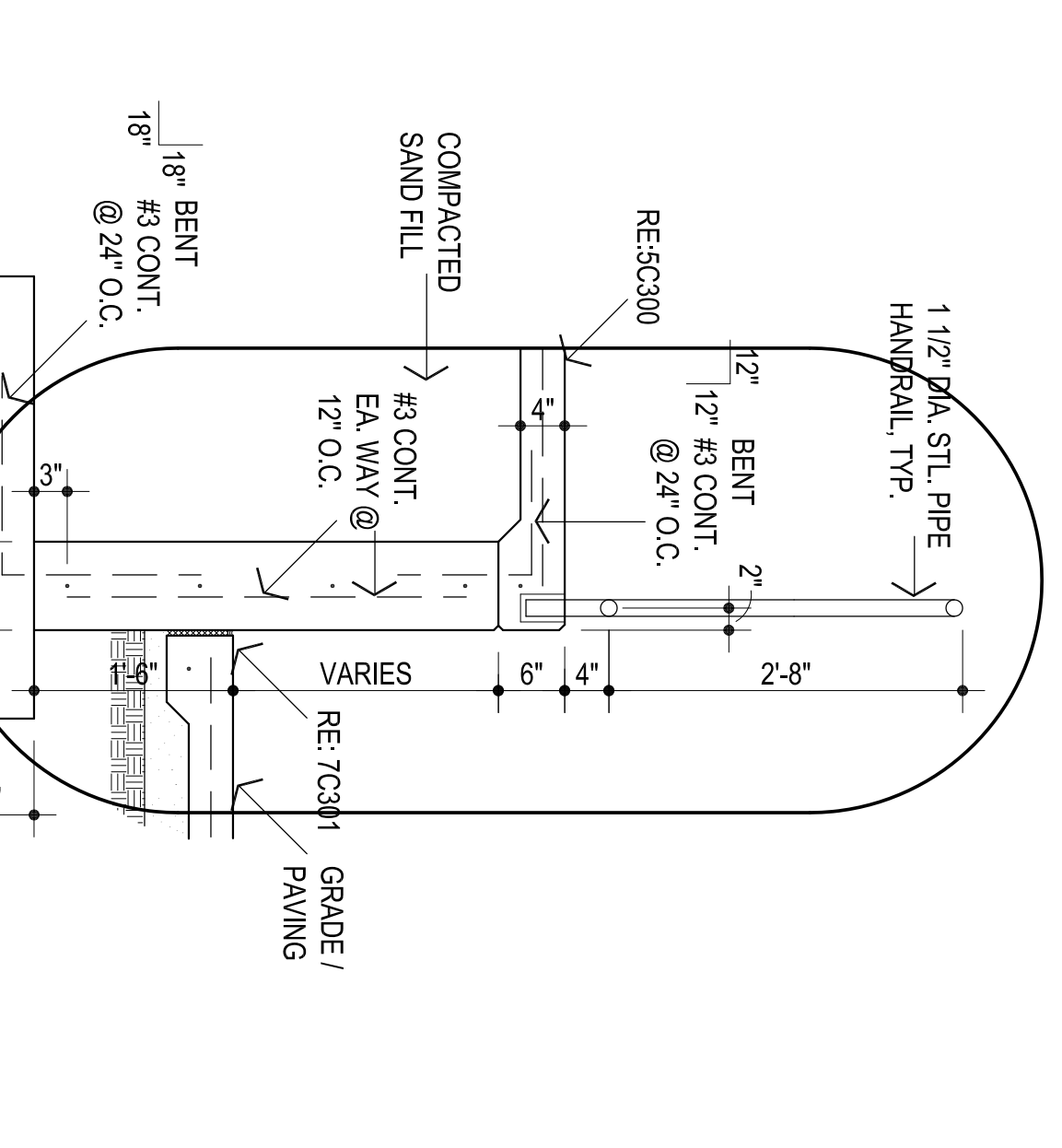
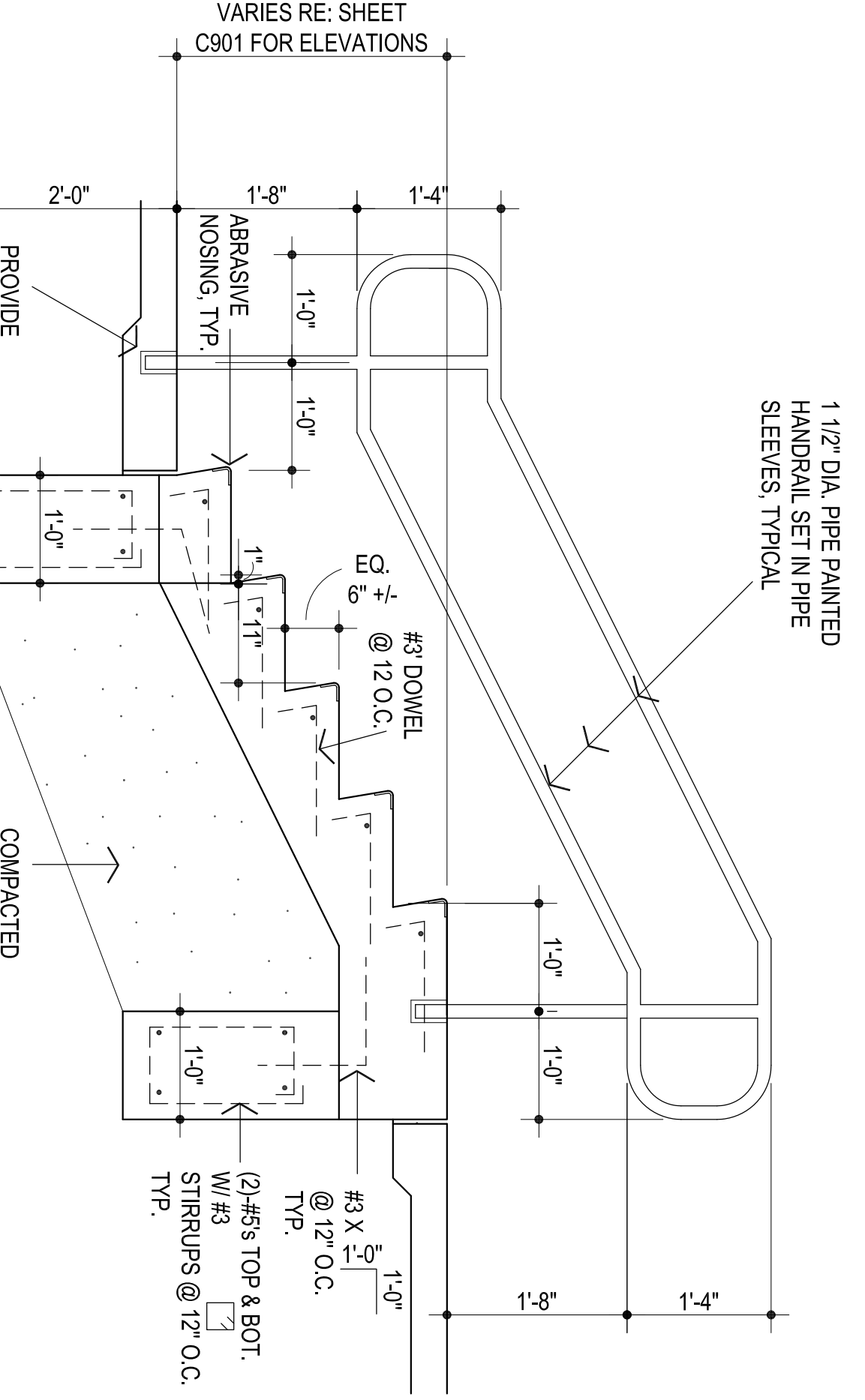
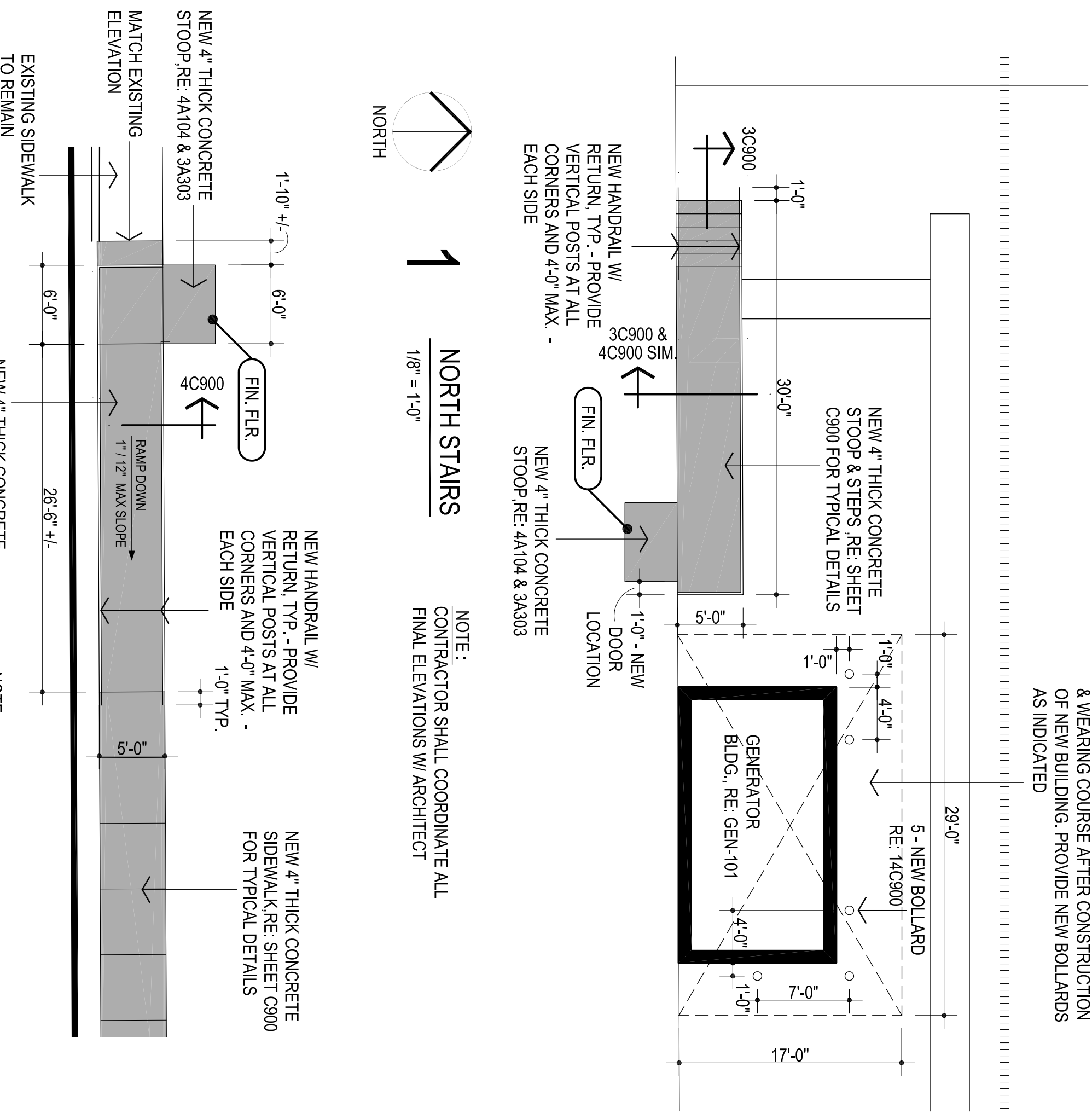


FILL IN AREA W/ NEW COMPACTED
SUBGRADE NEW ASPHALT BASE COURSE
& WEARING COURSE AFTER CONSTRUCTION
OF NEW BUILDING. PROVIDE NEW BOLLARDS
AS INDICATED



1. CONTRACTOR SHALL COORDINATE ALL FINAL ELEVATIONS W/ ARCHITECT

2. SIDEWALK SHALL NOT EXCEED 2% CROSS SLOPE

1/8" = 1'-0"

1/8" = 1'-0"

CONTRACTOR SHALL COORDINATE ALL FINAL ELEVATIONS W/ ARCHITECT

1/8" = 1'-0"

CONTRACTOR SHALL COORDINATE ALL FINAL ELEVATIONS W/ ARCHITECT

1/8" = 1'-0"

11 SIDEWALK @ VERT. SURF.

12 SIDEWALK @ CURB

13 CONG. CURB / ASPHALT PAVING

5 PAVING EDGE
NOT TO SCALE

6 H.C. RAMP @ CURB
NOT TO SCALE

7 SIDEWALK EXP. JOINT

8 SIDEWALK CONTROL JT.

9 EXISTING / NEW CONCRETE SIDEWALK

10 SIDEWALK / CONG. CURB

14 BOLLARD

ENTIRE SHEET