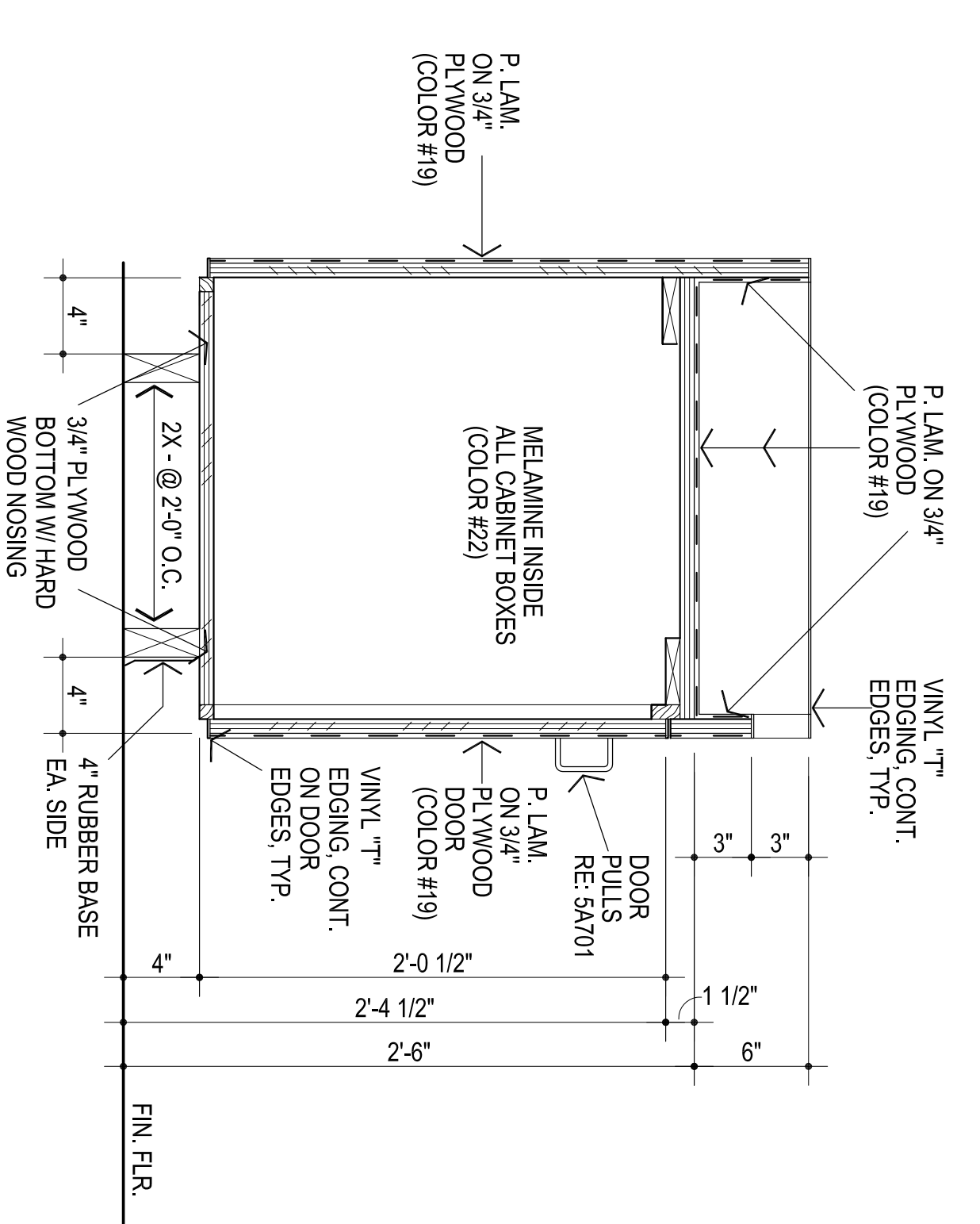
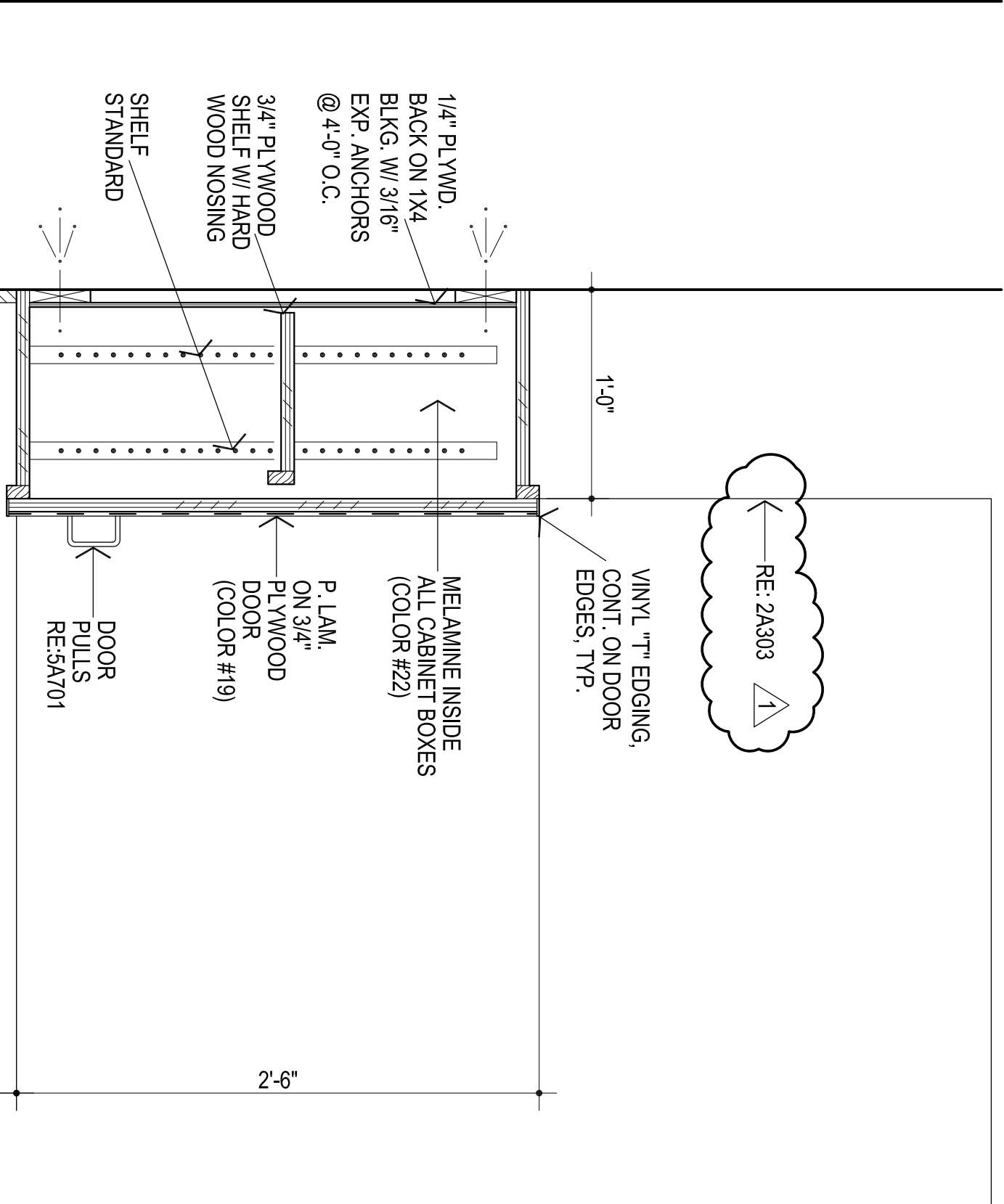


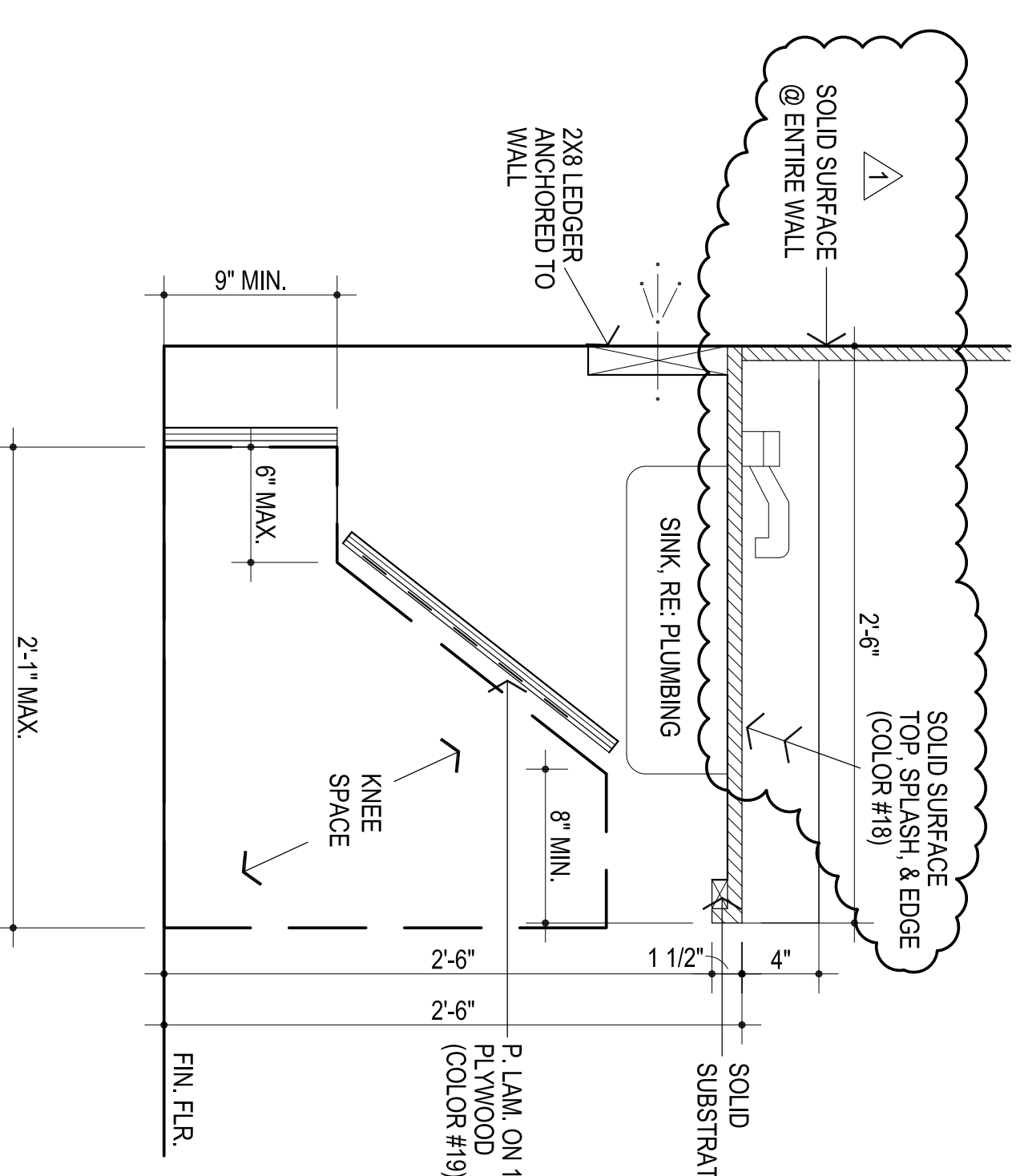
3 BASE CABINET
1 1/2" = 1'-0"



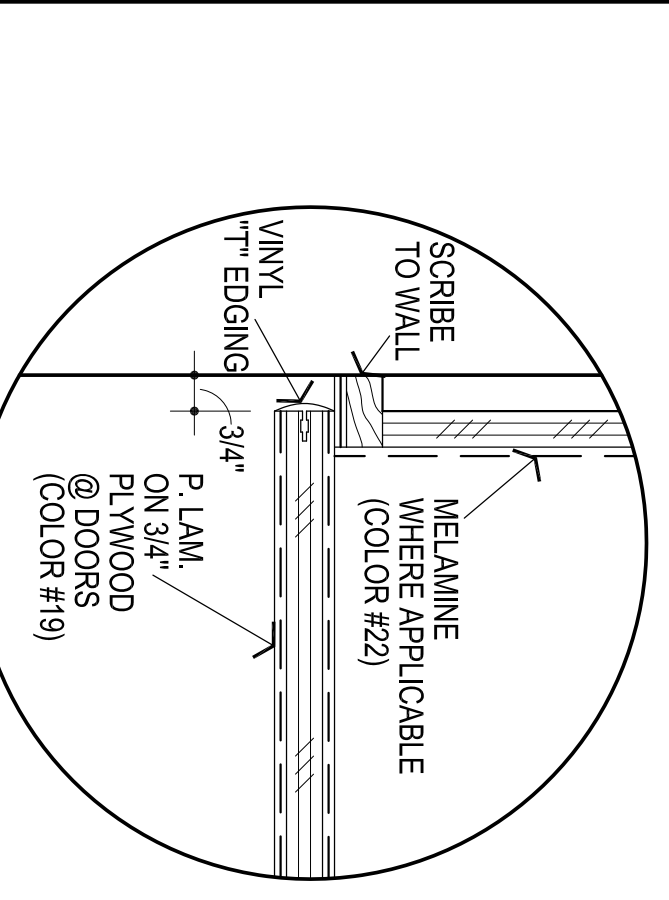
11 DIAPER CABINET
1 1/2" = 1'-0"



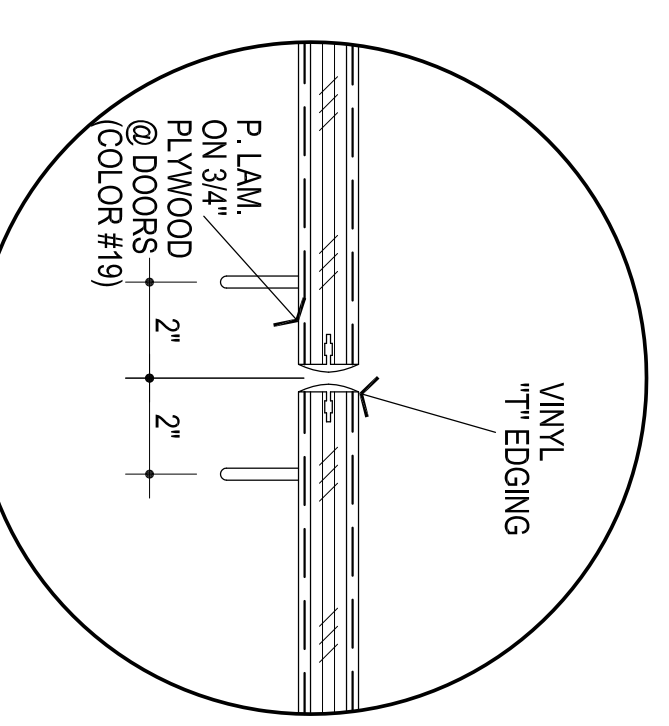
1 BASE & WALL CABINET
1 1/2" = 1'-0"



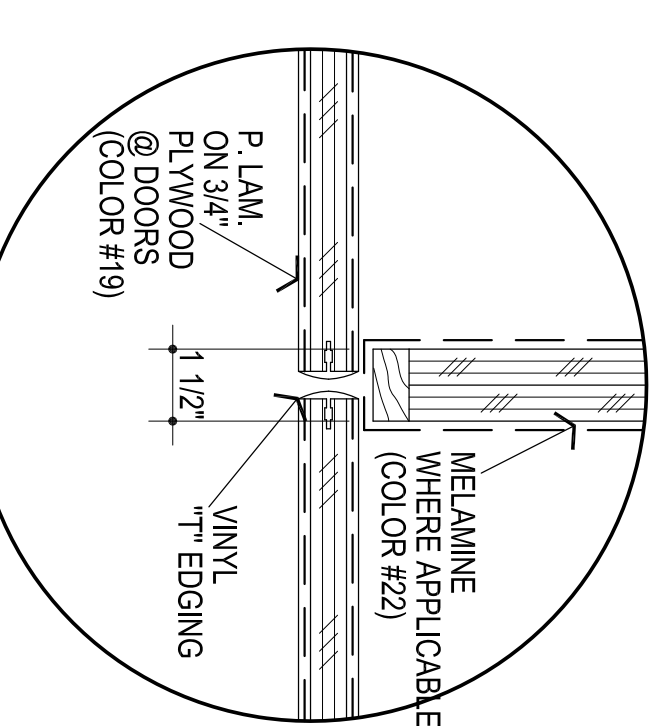
2 SINK SECTION
1 1/2" = 1'-0"



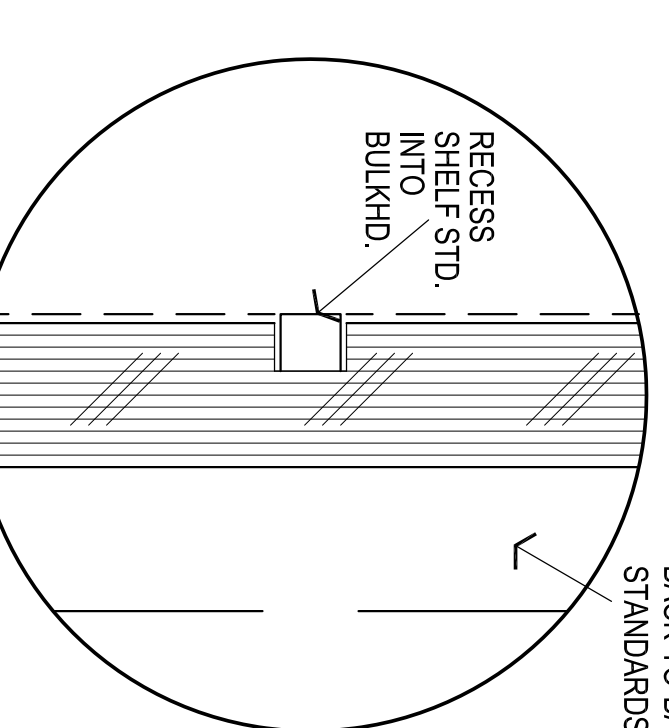
4 DOOR @ WALL



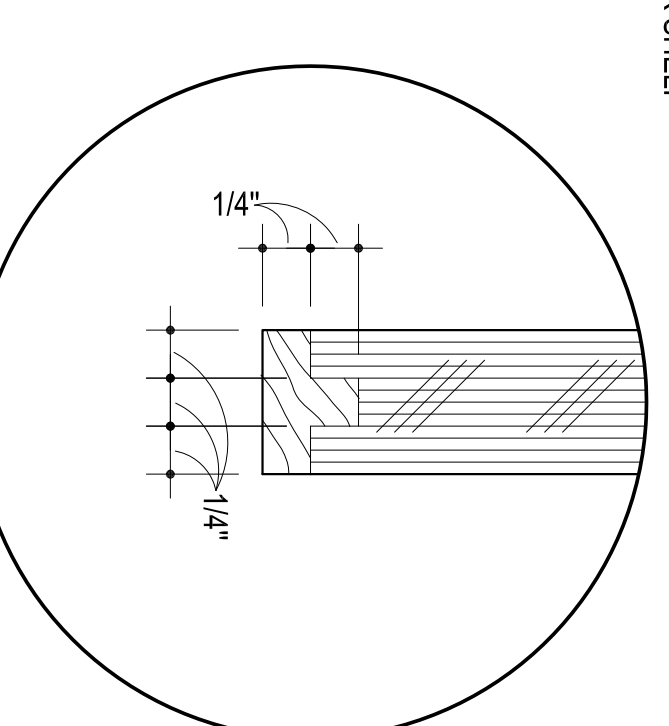
5 PULLS



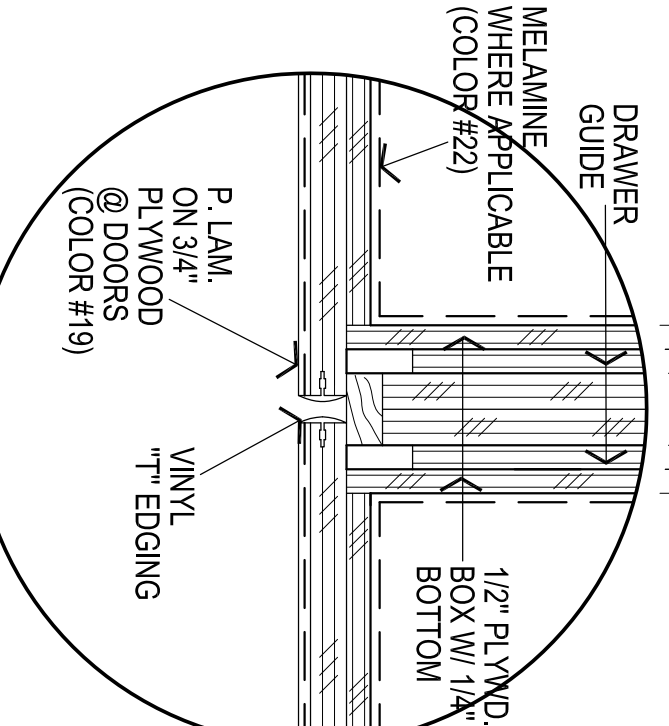
6 DOORS @ STILE



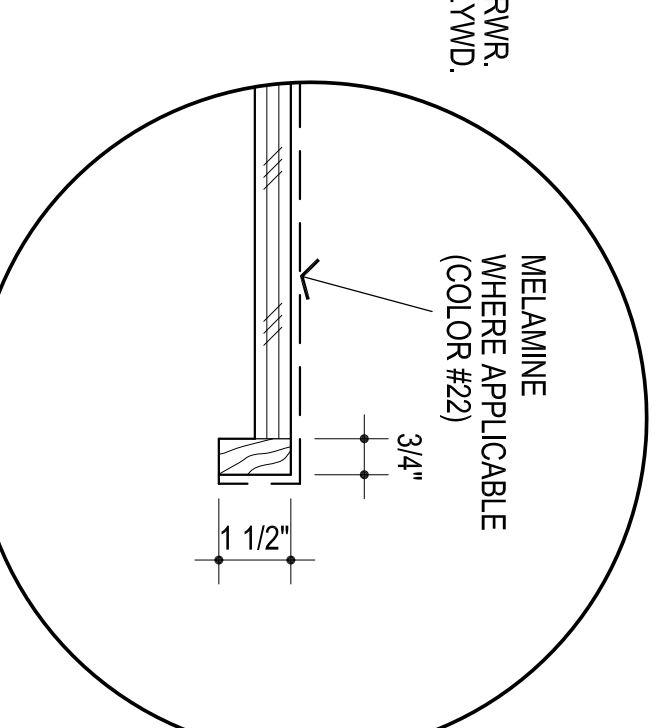
7 RECESSED STANDARDS



8 HARDWOOD EDGE



9 DRWR. TO DRWR.



10 SHELF EDGE

DOUBLE BULKHEAD @
BACK-TO-BACK SHELF
STANDARDS

1/2" PLYWD DRWR
BOX W/ 1/4" PLYWD.
GUIDE