



CG  
checked by  
OCTOBER 2024  
date

MA  
checked by  
OCTOBER 2024  
date



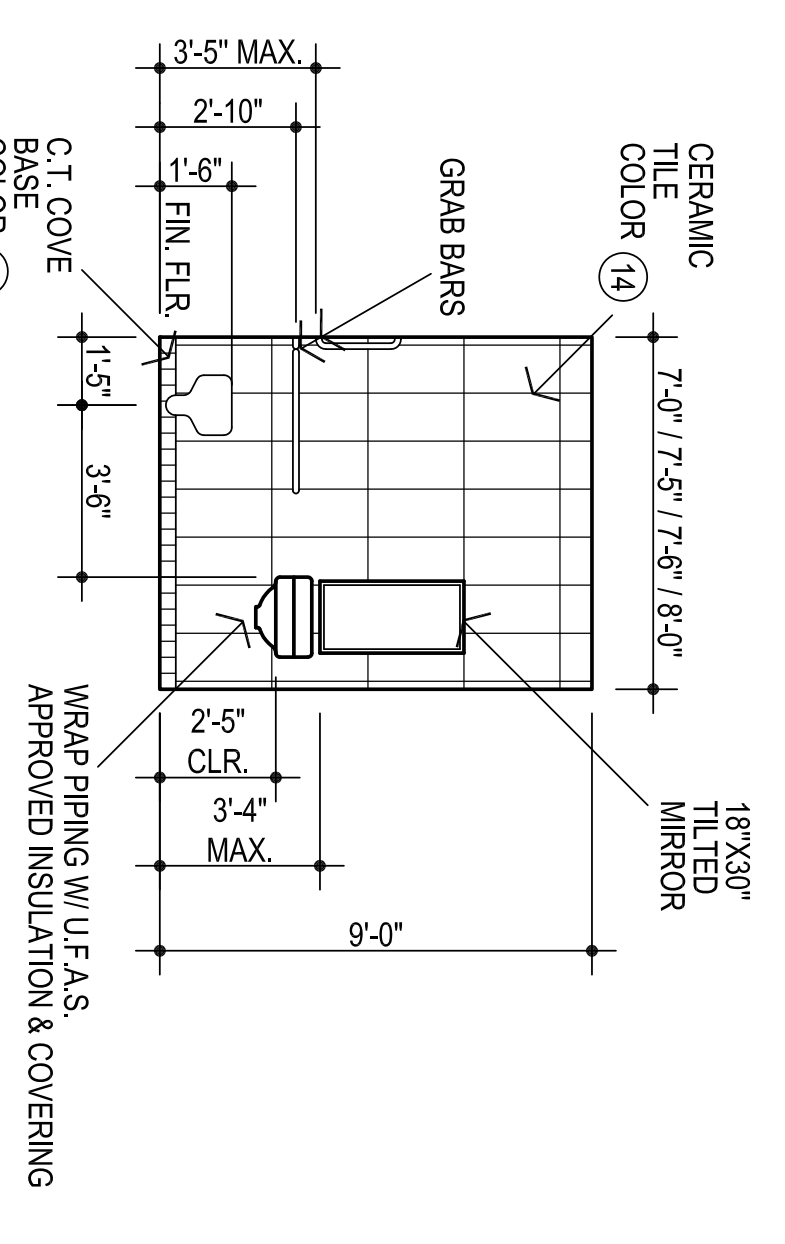
**MOORE**  
PUBLIC SCHOOLS

CHILD CARE FACILITY  
201 N. EASTERN AVE.

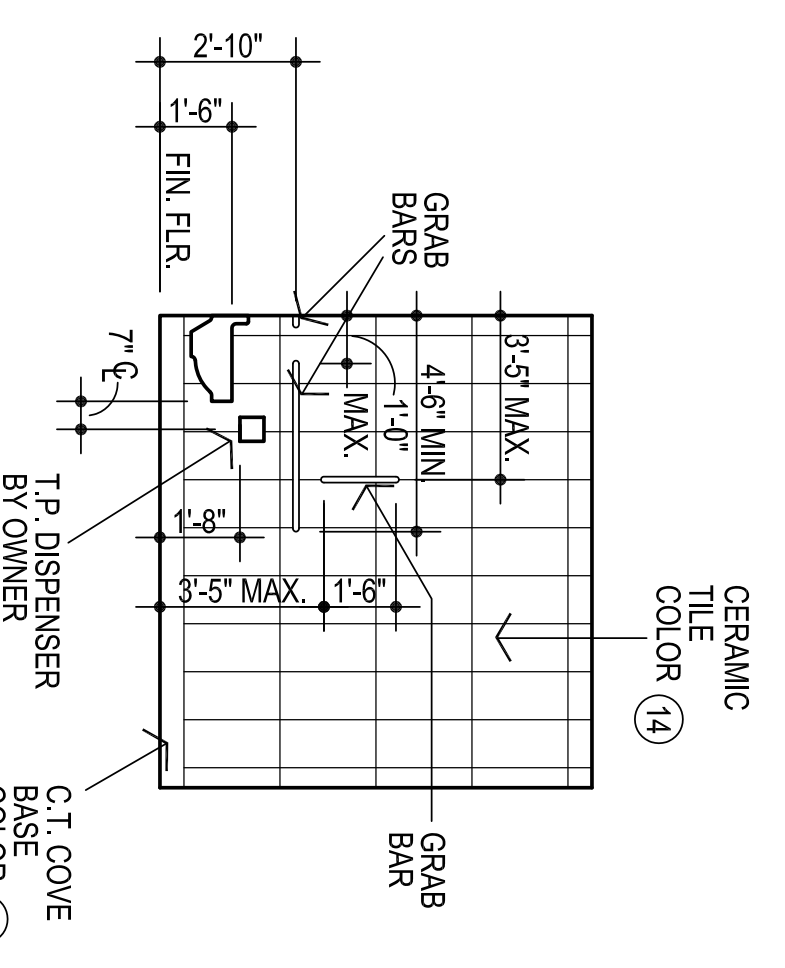
Sheet No: **A401**

OWNERSHIP USE OF DOCUMENTS:  
AGP EXPRESSLY RESERVES ITS  
COPYRIGHT AND OTHER PROPERTY  
RIGHTS OF ALL PLANS AND DRAWINGS  
DESIGNED AND/OR PRODUCED. PLANS  
AND DRAWINGS ARE NOT TO BE  
REPRODUCED IN ANY FORM OR MANNER  
WITHOUT THE EXPRESS WRITTEN  
CONSENT OF AGP.

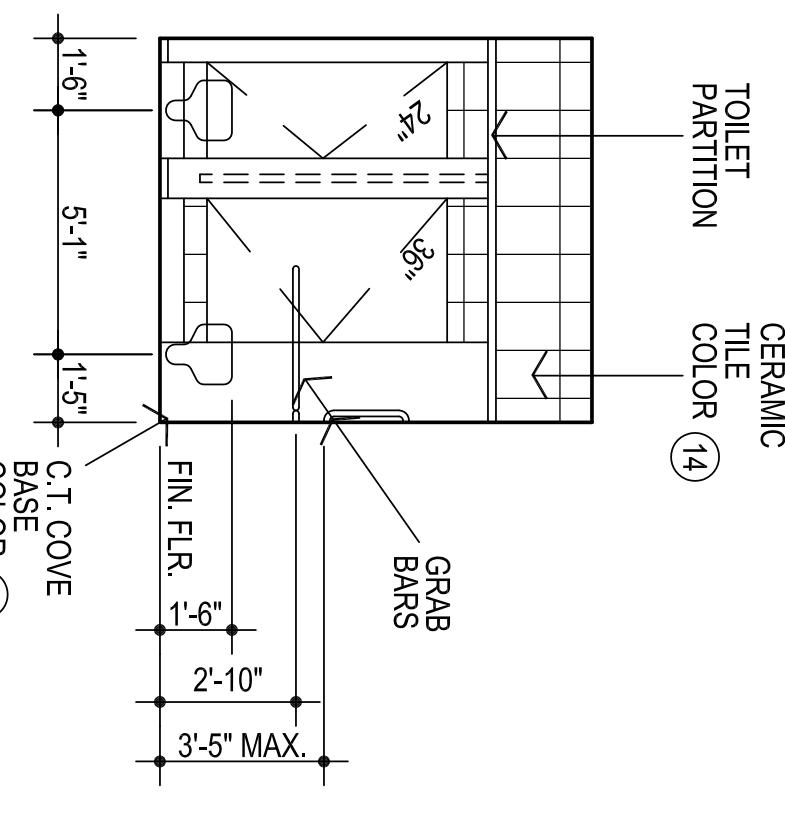
NOTE: CONTRACTOR TO VERIFY THAT THE  
MOUNTING HEIGHTS & MINIMUM CLEARANCES OF  
ALL WALL MOUNTED FIXTURES (IE PLUMBING  
FIXTURES, GRAB BARS, MIRRORS, ETC.) MEET  
ALL APPLICABLE CODES & STANDARDS PRIOR  
TO INSTALLATION.



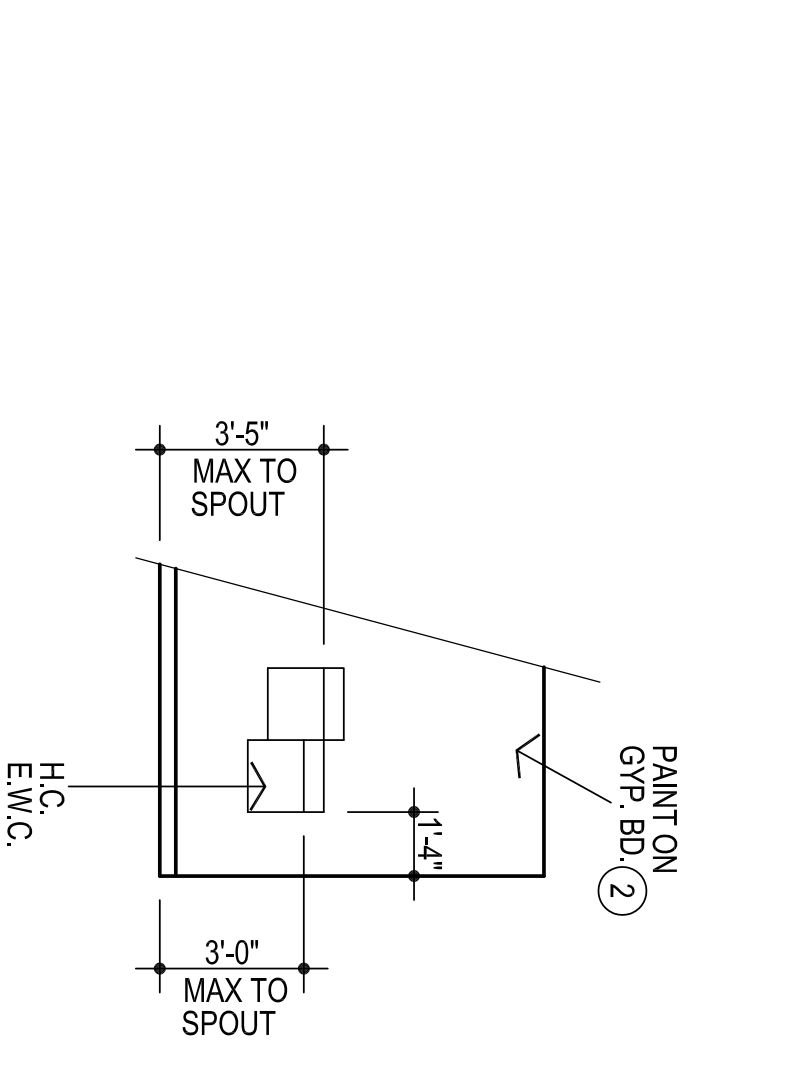
**1**  
TYPICAL SINGLE TOILET  
1/4" = 1'-0"



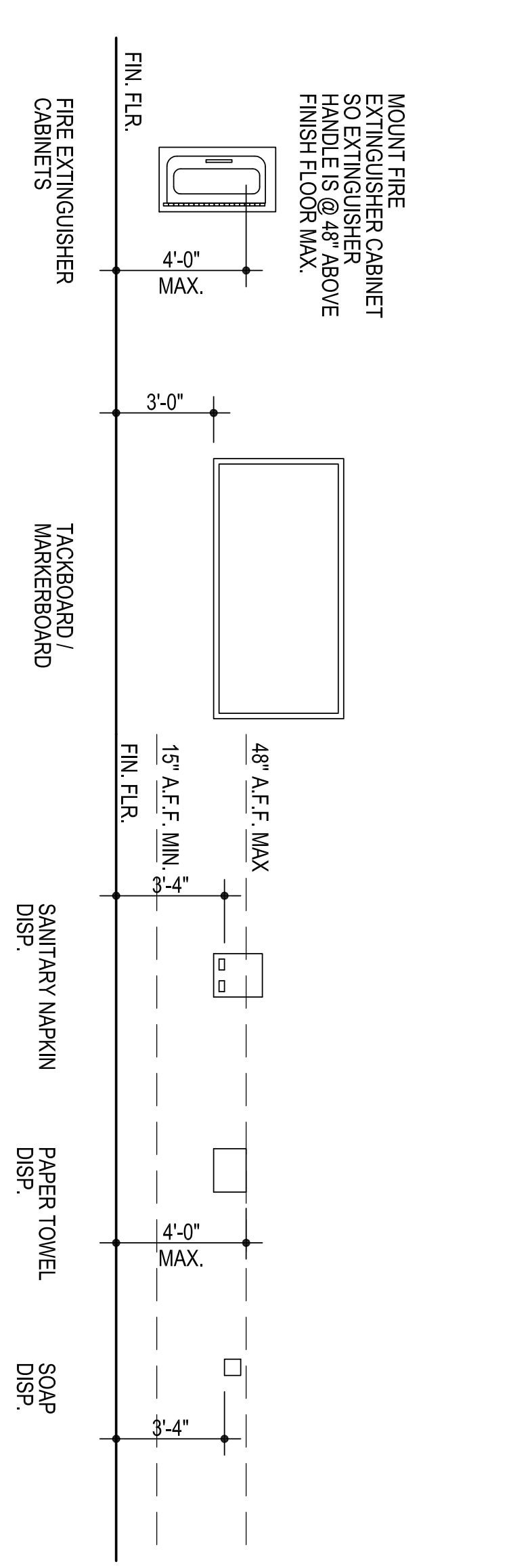
**2**  
HANDICAP  
ACCESSIBLE W.C.  
1/4" = 1'-0"



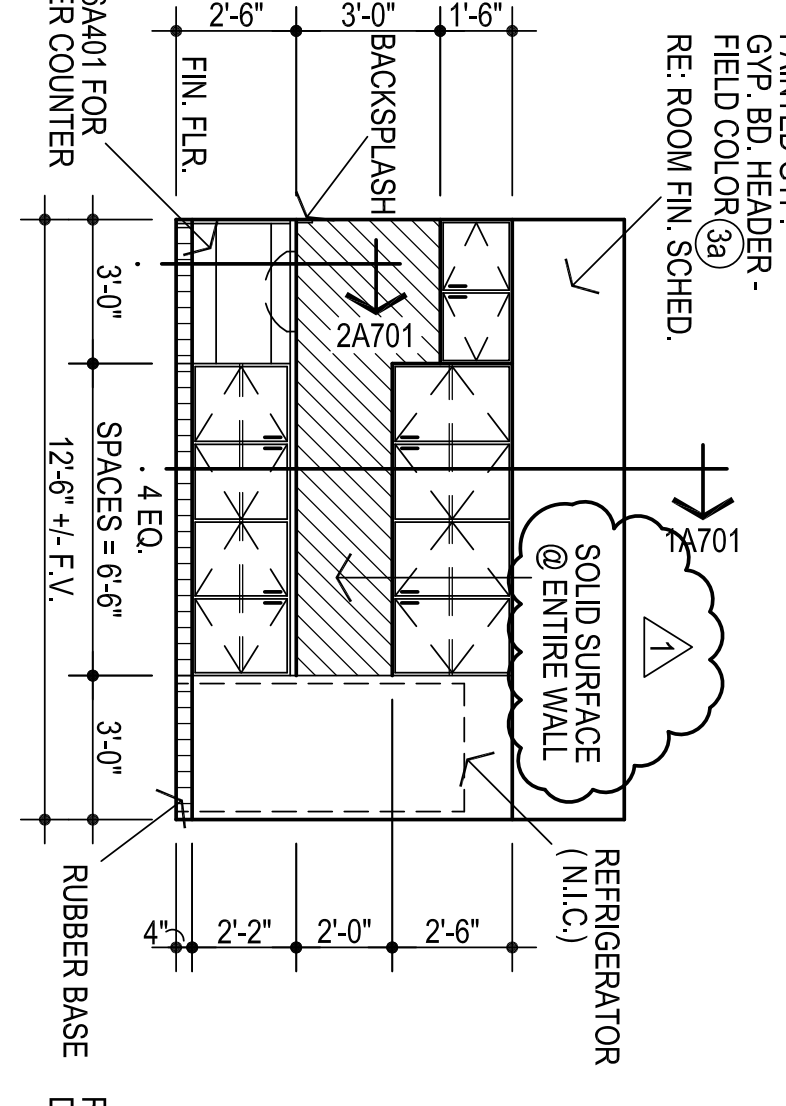
**3**  
TYPICAL DOUBLE TOILET  
1/4" = 1'-0"



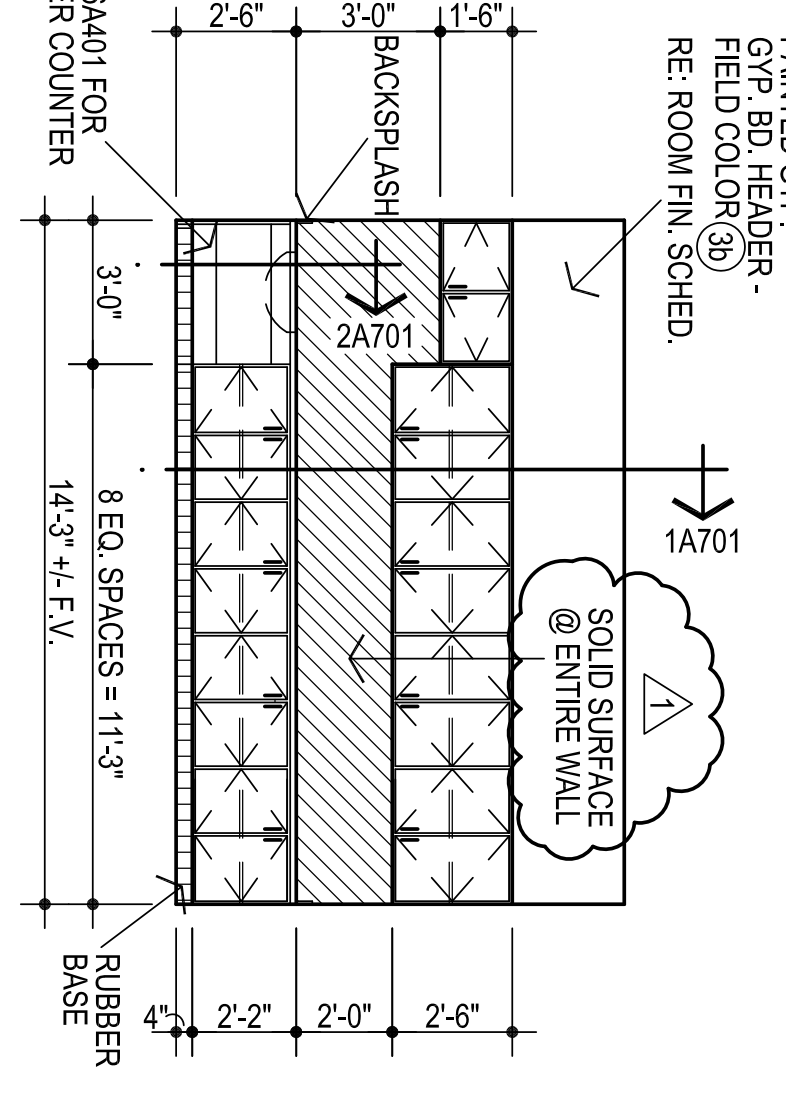
**4**  
TYP. DOUBLE E.W.C.  
1/4" = 1'-0"



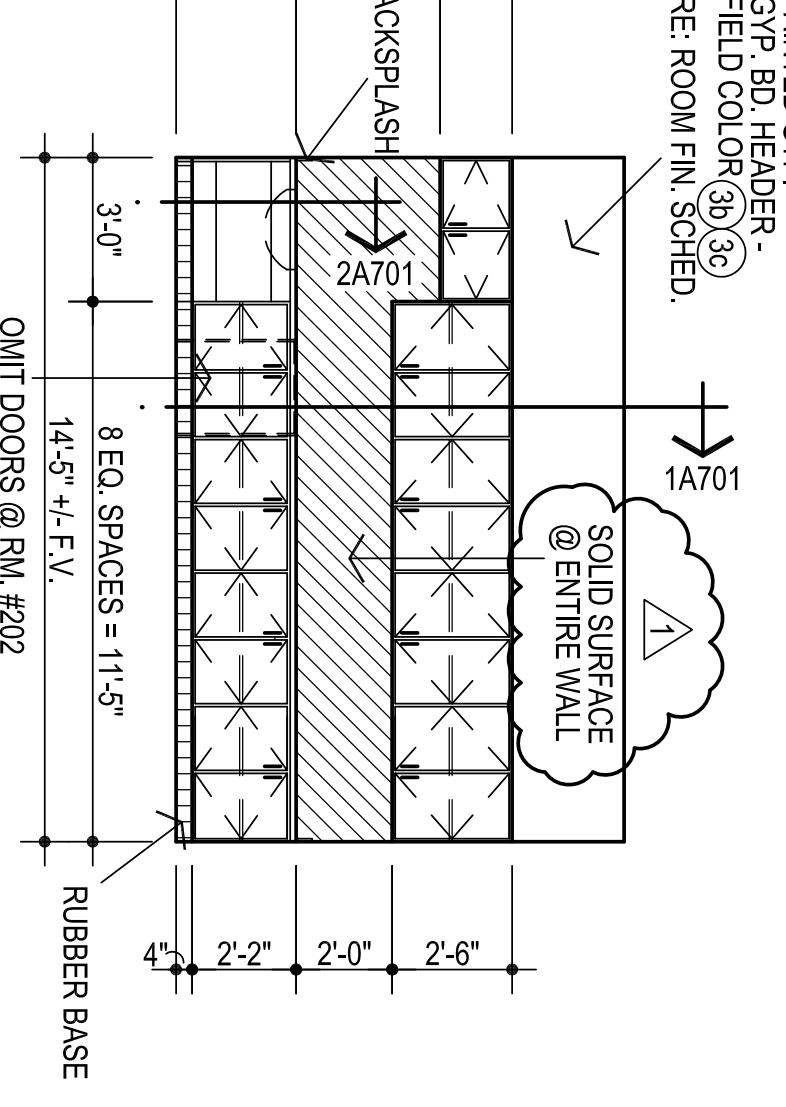
**5**  
TYPICAL MOUNTING HEIGHTS  
1/4" = 1'-0"



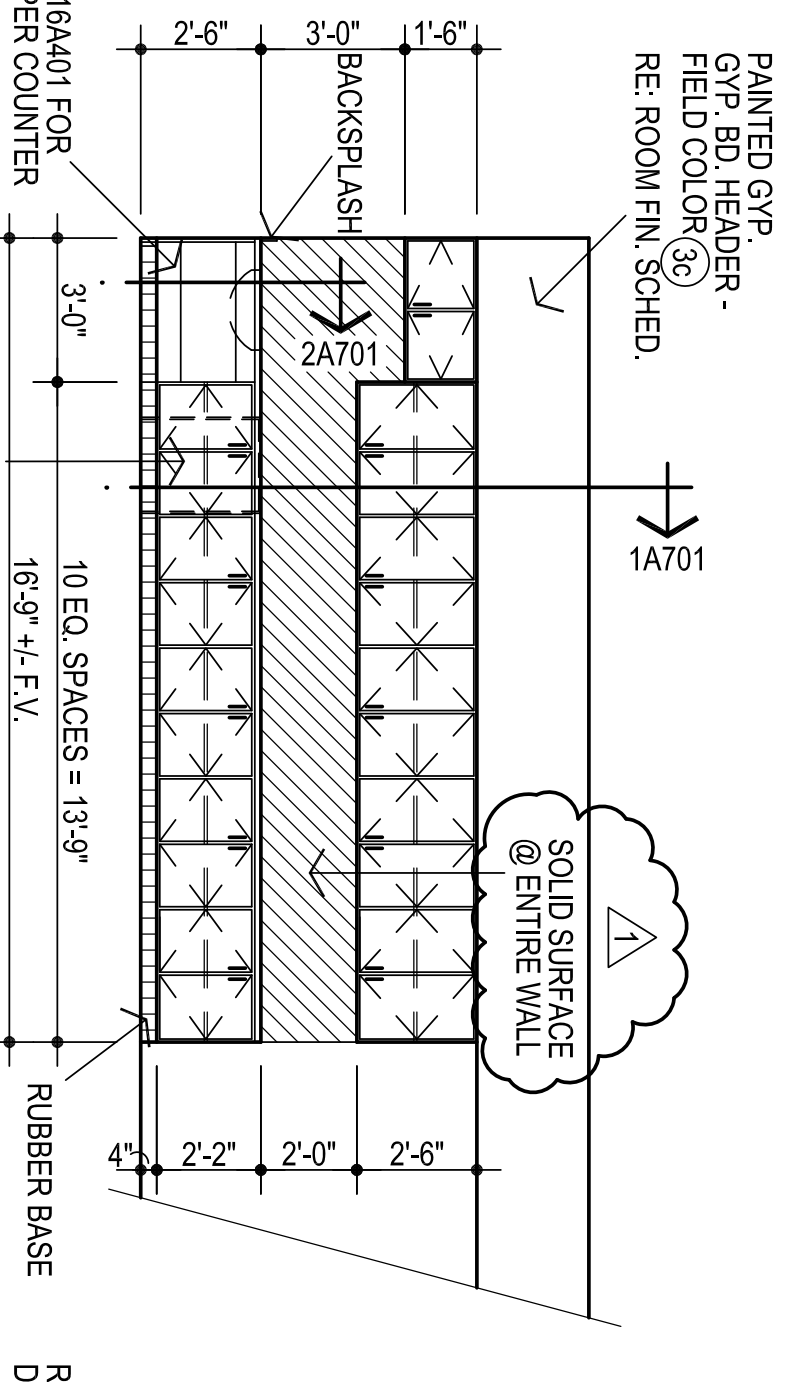
**6**  
TYP. CLASSROOM ELEVATION  
ROOM # 001, 002, 003, 004, & 005  
1/4" = 1'-0"



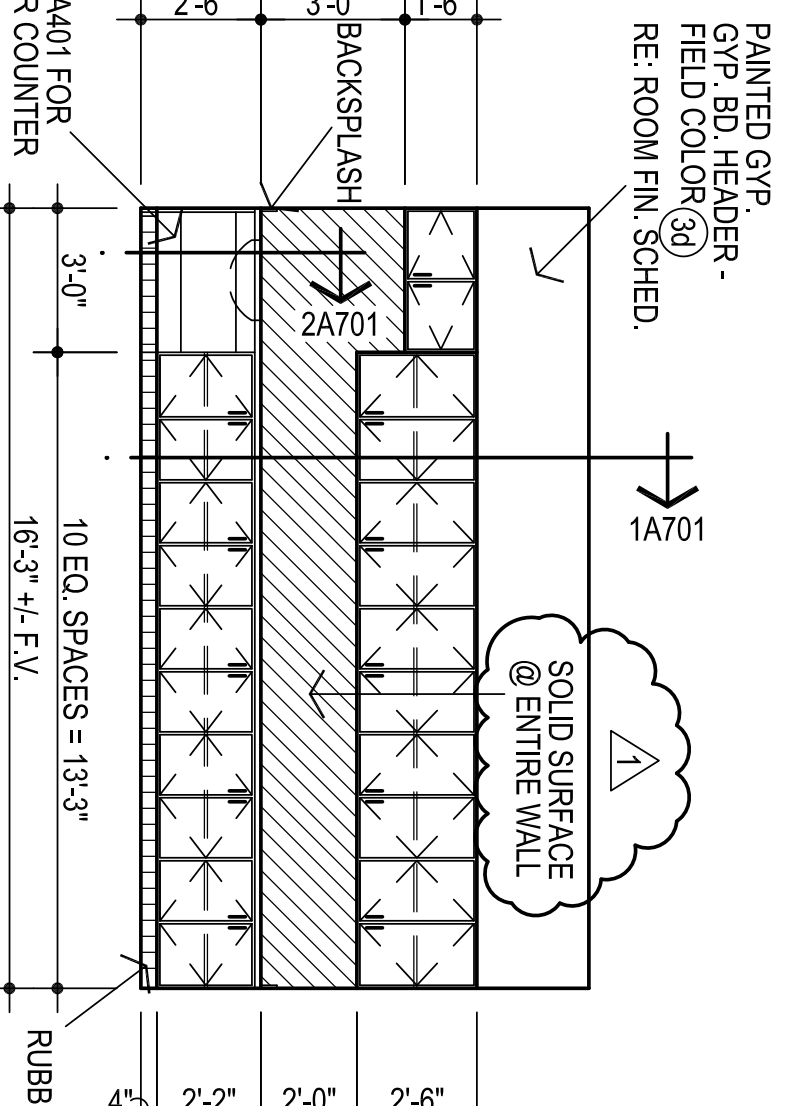
**7**  
TYP. CLASSROOM ELEVATION  
ROOM # 101, 102, & 103  
1/4" = 1'-0"



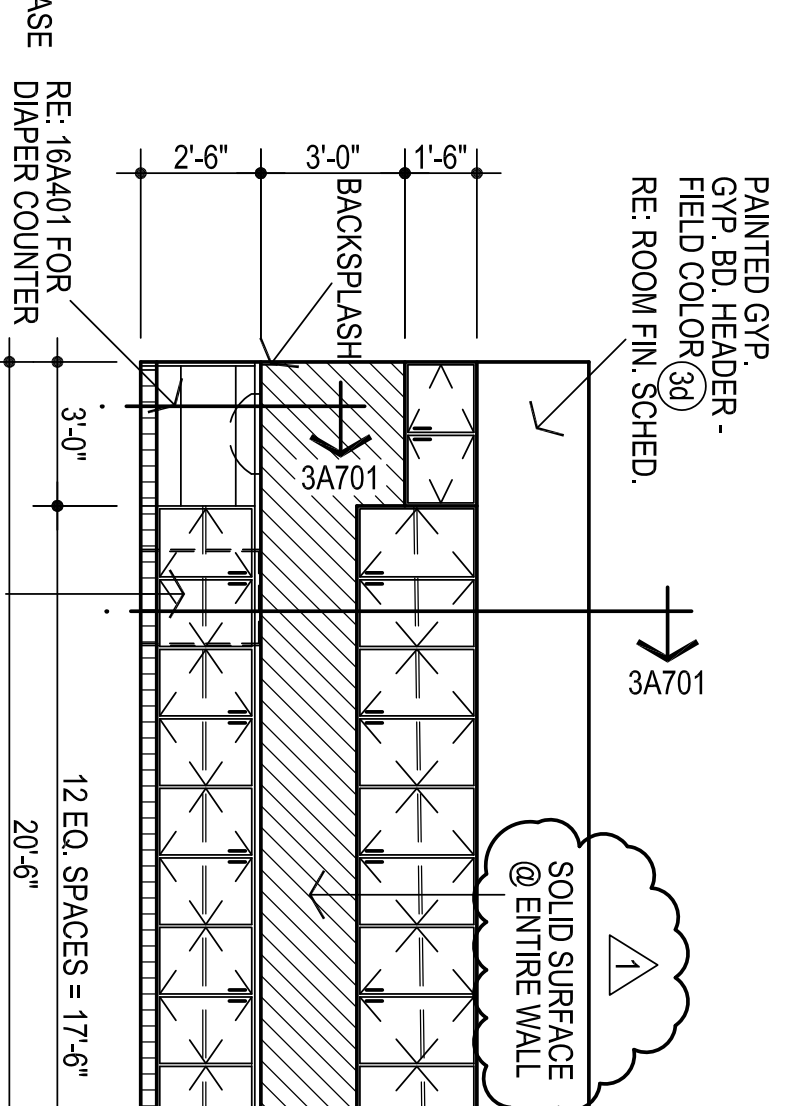
**8**  
TYP. CLASSROOM ELEVATION  
ROOM # 104, 105, 202 & 203  
1/4" = 1'-0"



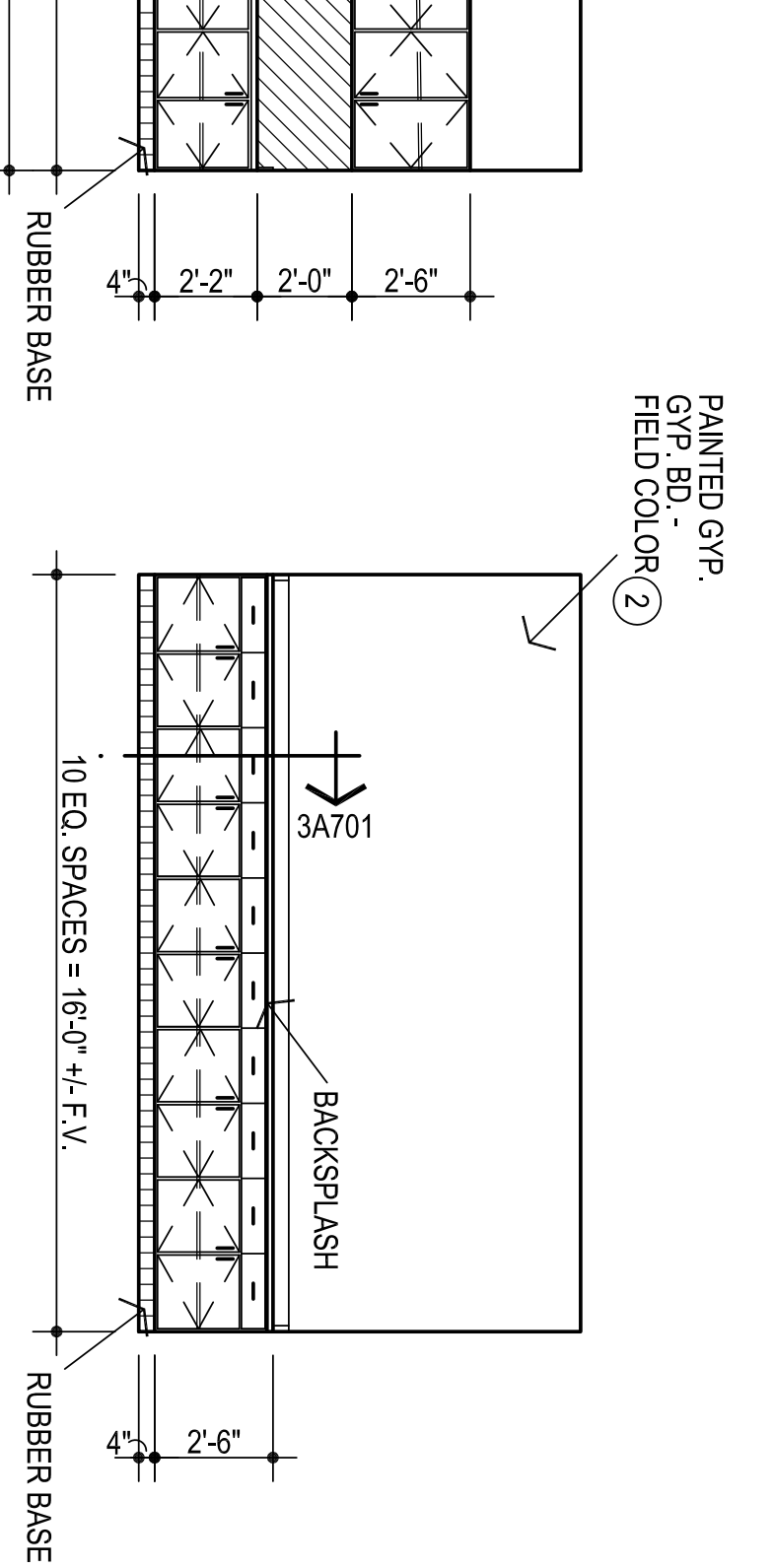
**9**  
TYP. CLASSROOM ELEVATION  
ROOM # 201, 204 & 205  
1/4" = 1'-0"



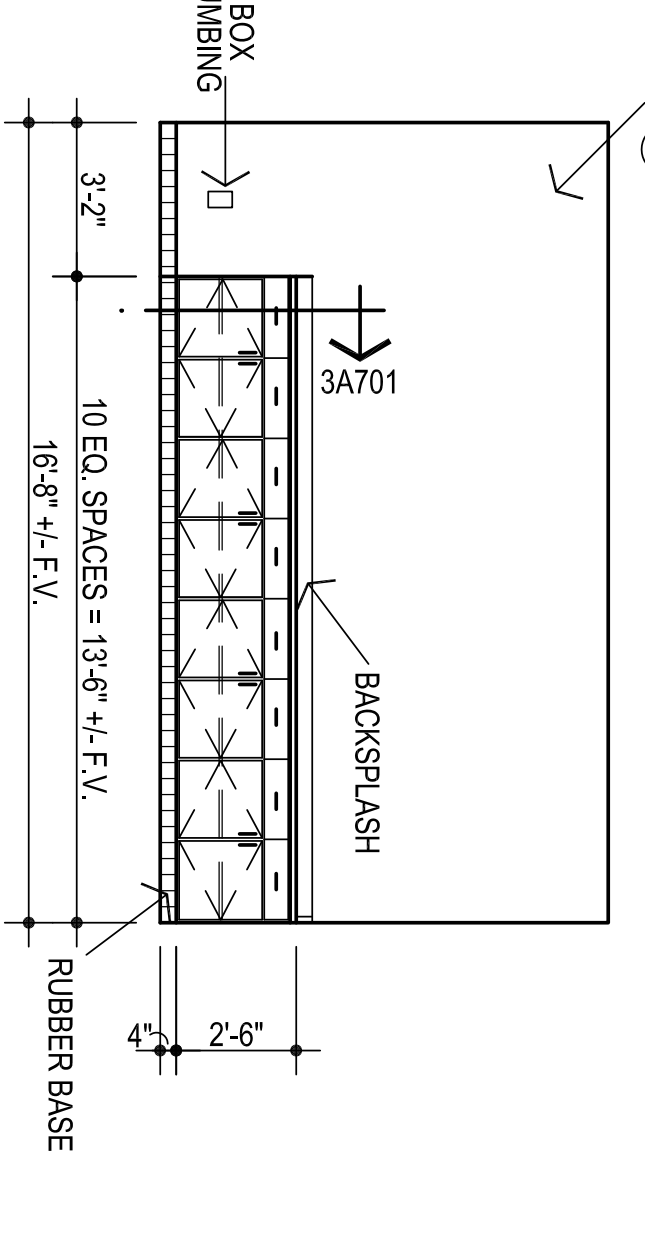
**10**  
TYP. CLASSROOM ELEVATION  
ROOM # 301, 302, 303 & 304  
1/4" = 1'-0"



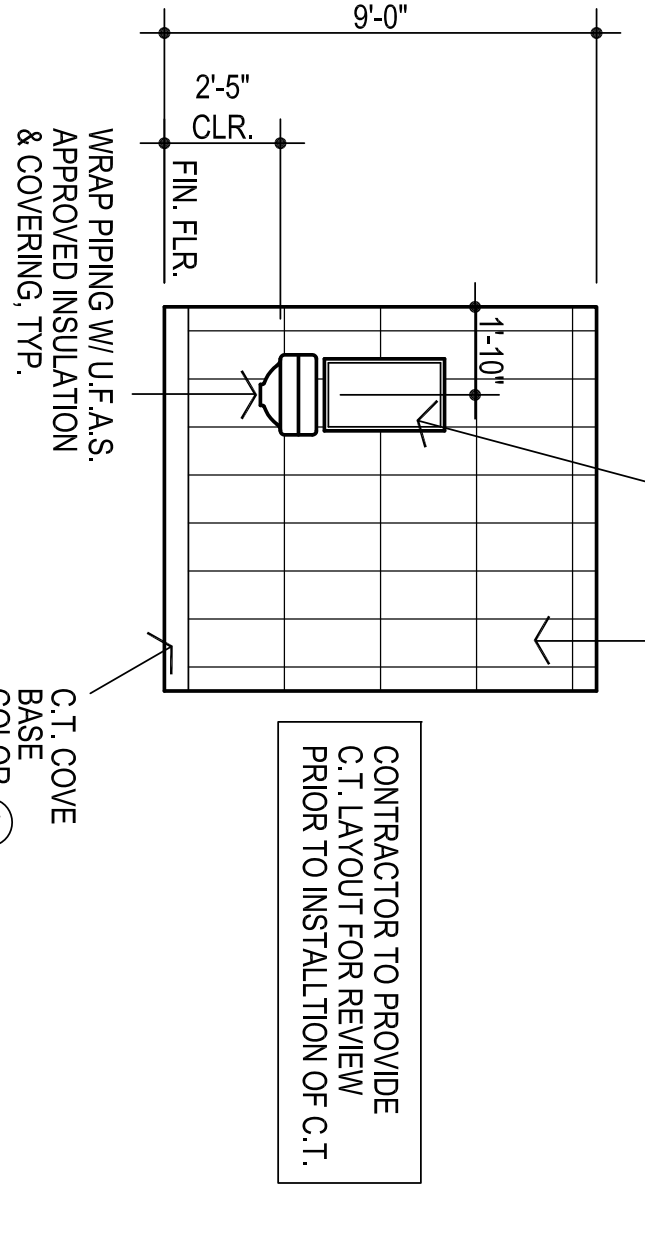
**11**  
TYP. CLASSROOM ELEVATION  
ROOM # 305  
1/4" = 1'-0"



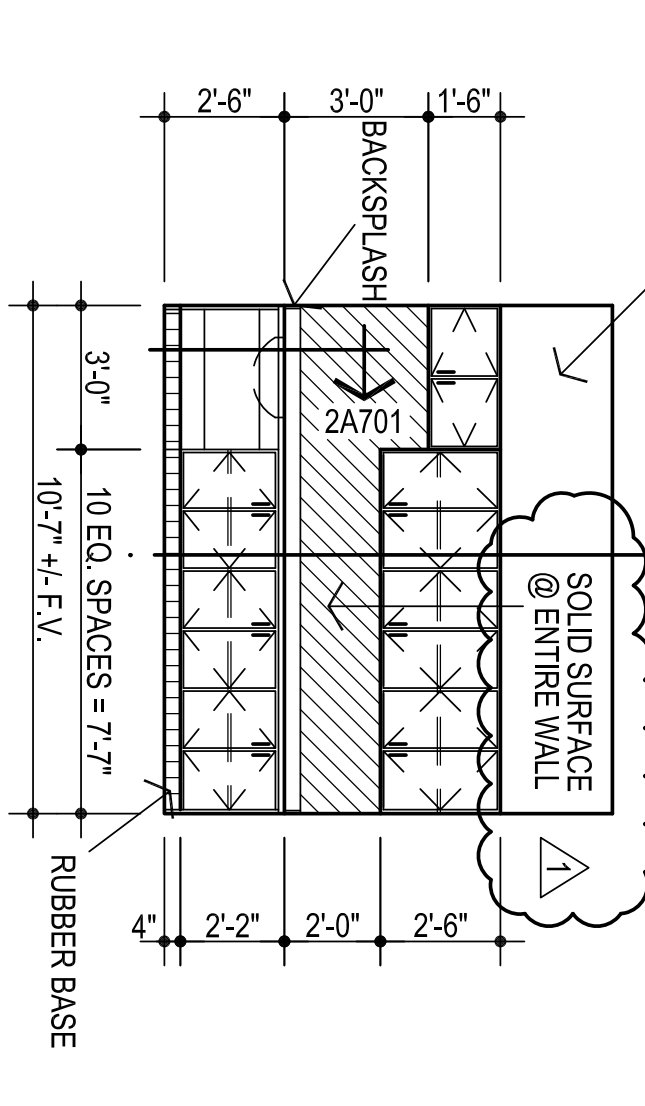
**12**  
E. WALL ROOM # 409  
1/4" = 1'-0"



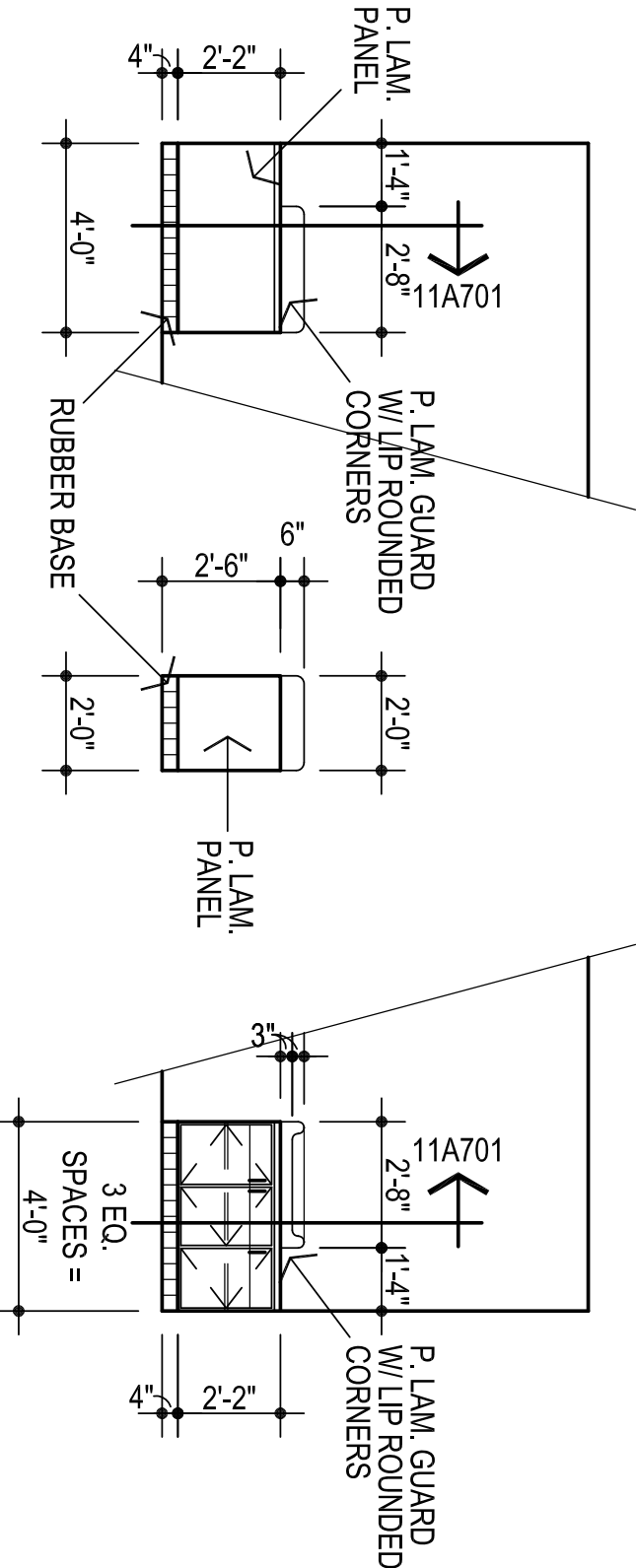
**13**  
E. WALL ROOM # 410  
1/4" = 1'-0"



**14**  
TYPICAL DOUBLE TOILET  
1/4" = 1'-0"



**15**  
N. WALL ROOM # 436  
1/4" = 1'-0"



**16**  
TYP. DIAPER COUNTER  
1/4" = 1'-0"