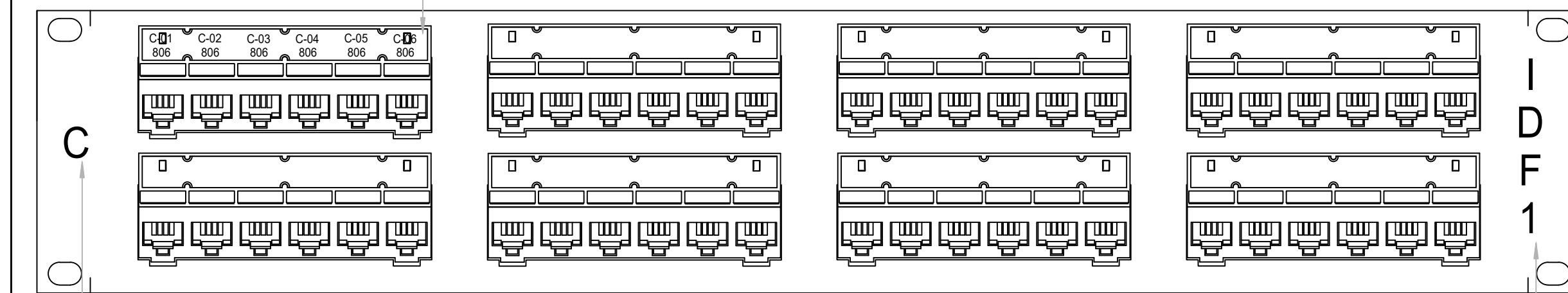


INDIVIDUAL PORT IDENTIFICATION:
EACH PATCH PANEL PORT SHALL BE LABELED WITH THE STATION PORT NUMBER AND THE ROOM
NUMBER IT SERVES. (IN THIS CASE, PORTS 1-6 ARE SERVING CABLES 1 THRU 6 IN ROOM #806)
COORDINATE ROOM NUMBERS WITH FINAL GRAPHICS PACKAGE ROOM NUMBERS AND NOT CONSECUTION
PLAN ROOM NUMBERS.



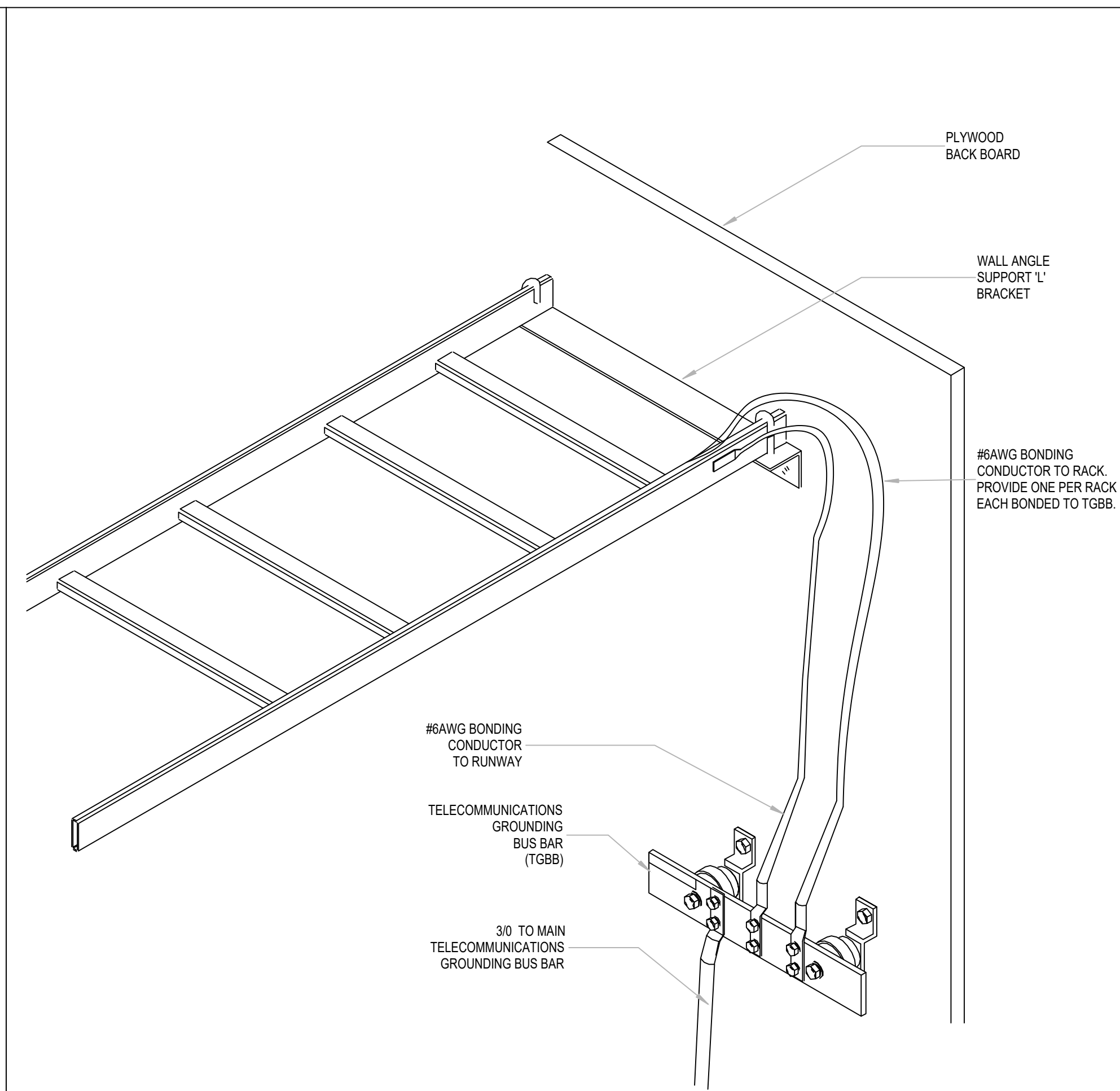
PANEL IDENTIFICATION
(PANEL 'C' WOULD
INDICATE THE 3RD PATCH
PANEL IN THE
COMMUNICATION CLOSET)

1. PATCH PANEL PORT LABELING SHALL BE
GENERATED AND SHALL NOT BE LESS THEN 1/4" IN
HEIGHT.

2. PATCH PANEL AND CLOSET IDENTIFICATION LABEL
SHALL BE MACHINE GENERATED AND SHALL NOT BE
LESS THEN 1/8" HEIGHT.

3. COORDINATE EXACT LABELING SCHEME WITH OWNER
AND ENGINEER.

CLOSET IDENTIFICATION (IN
THIS CASE, THE LABEL
INDICATES IDF CLOSET #1,
THE MDF SHALL BE LABELED 'MDF')

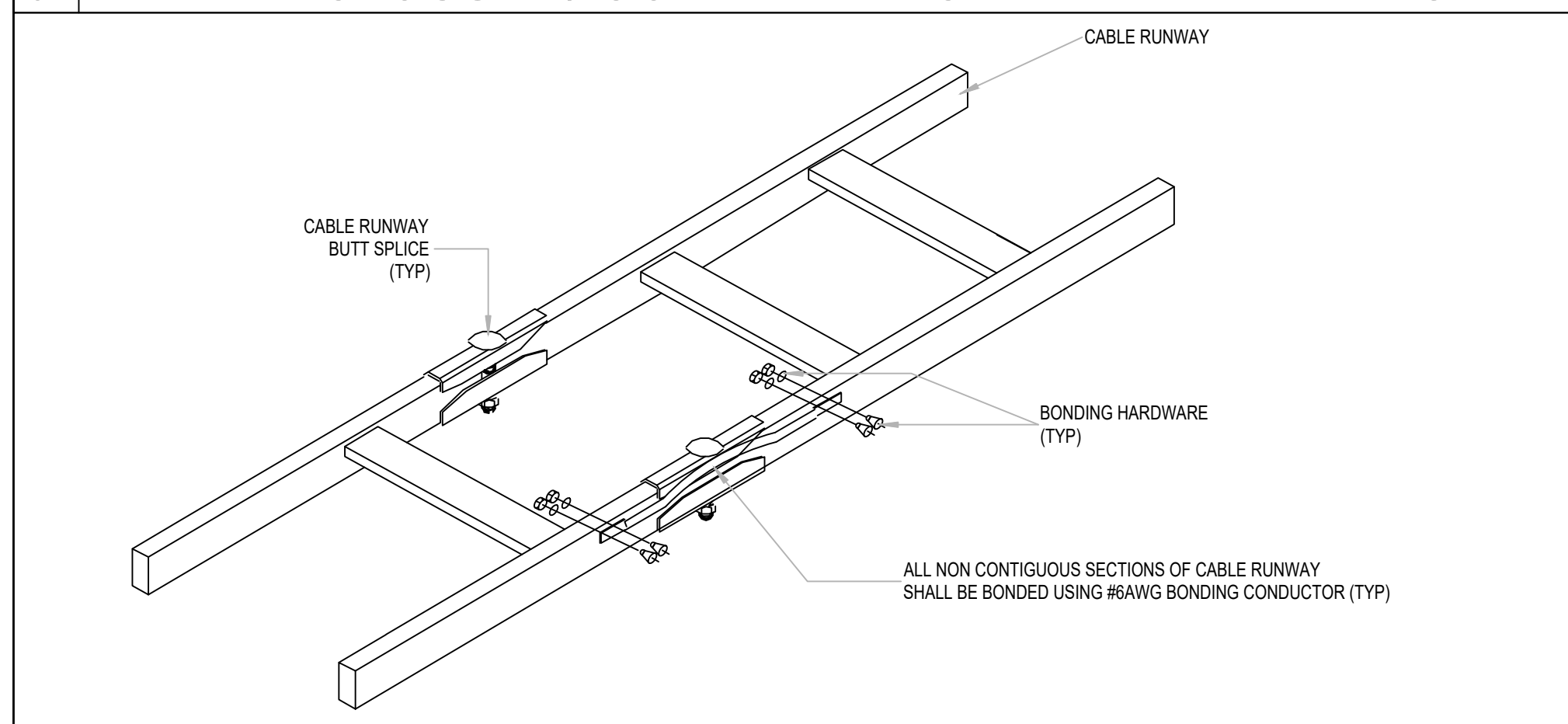


01 FIBER ENCLOSURE/ COPPER PATCH PANEL LABELING DETAIL

NOT TO SCALE

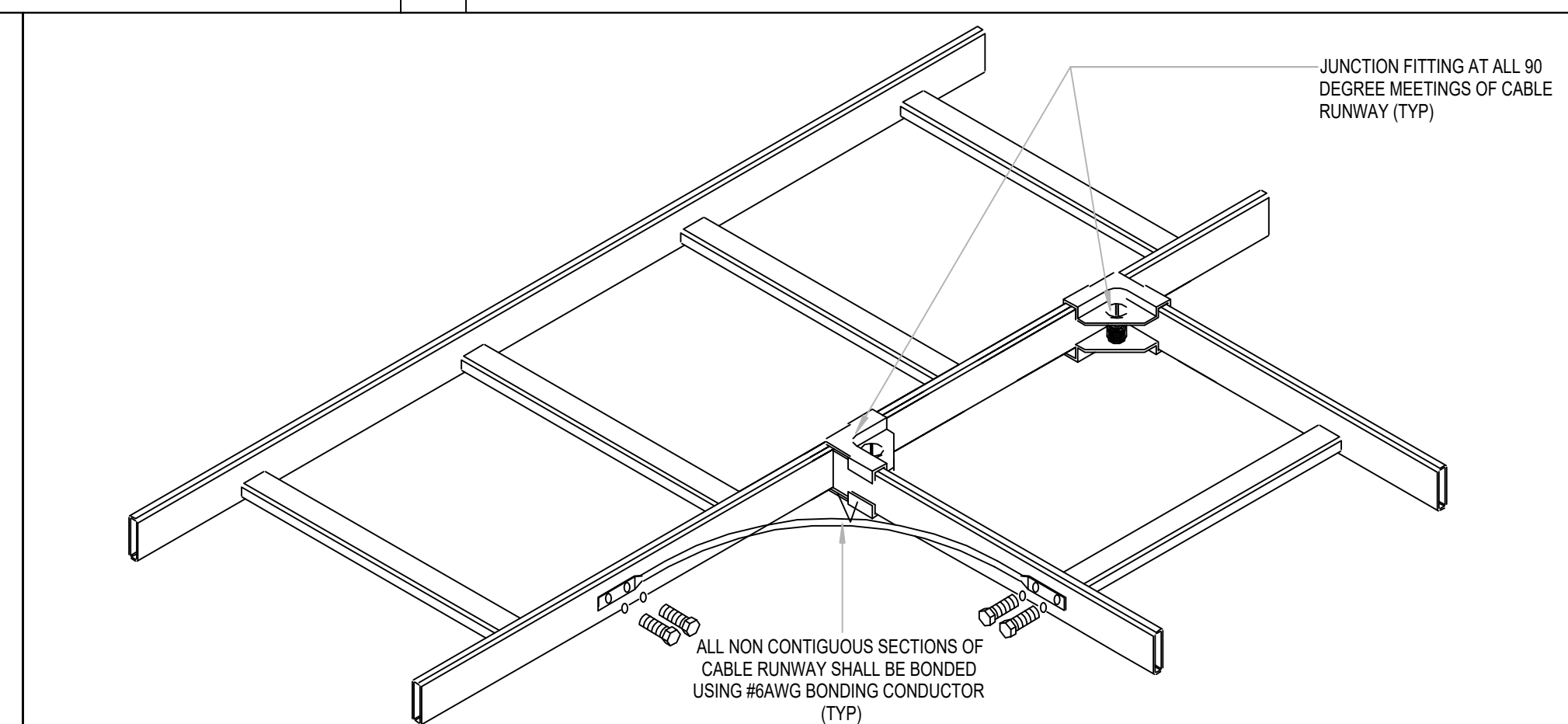
02 CABLE RUNWAY - GROUNDING AND BONDING

NOT TO SCALE



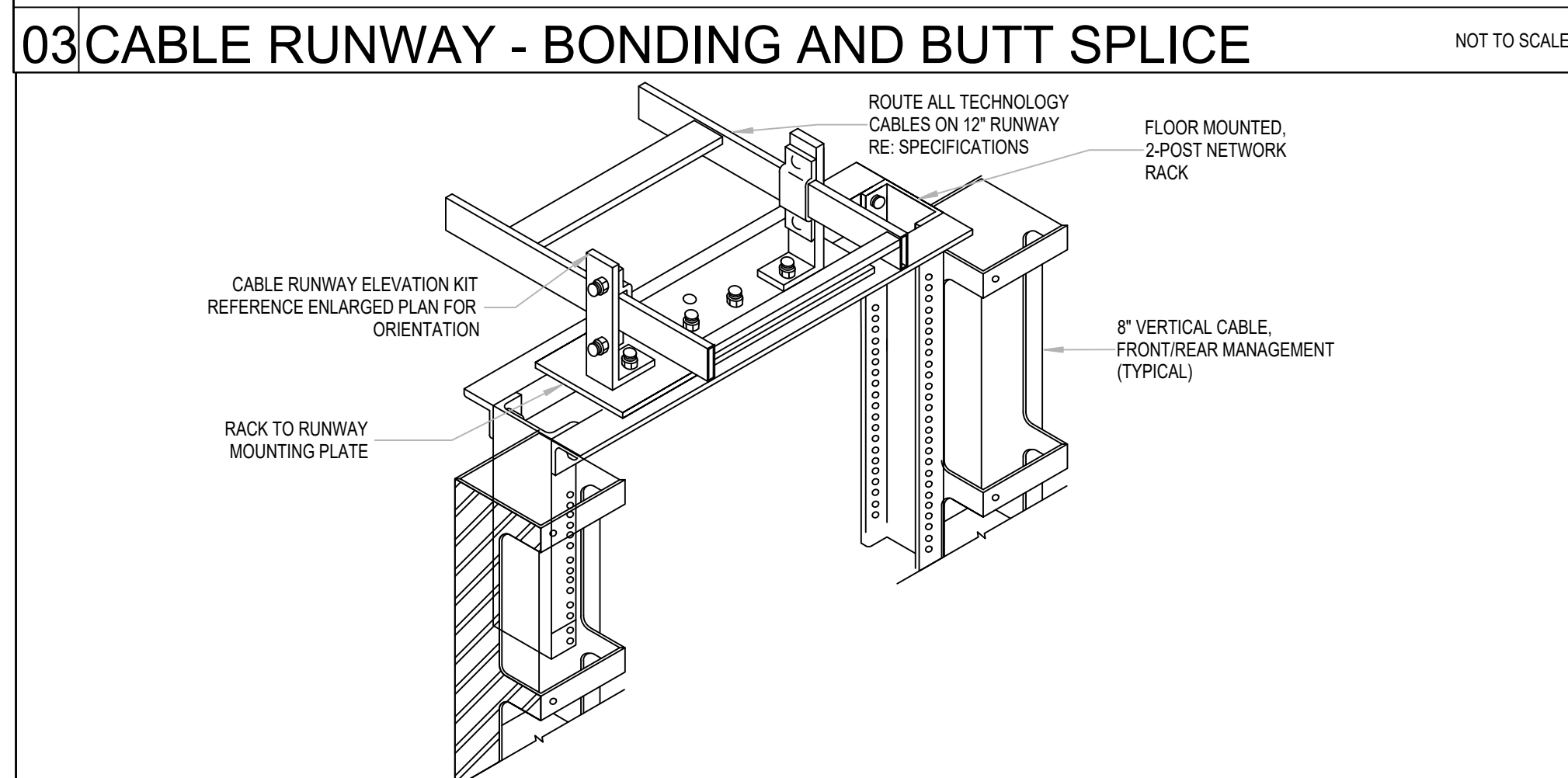
03 CABLE RUNWAY - BONDING AND BUTT SPLICE

NOT TO SCALE



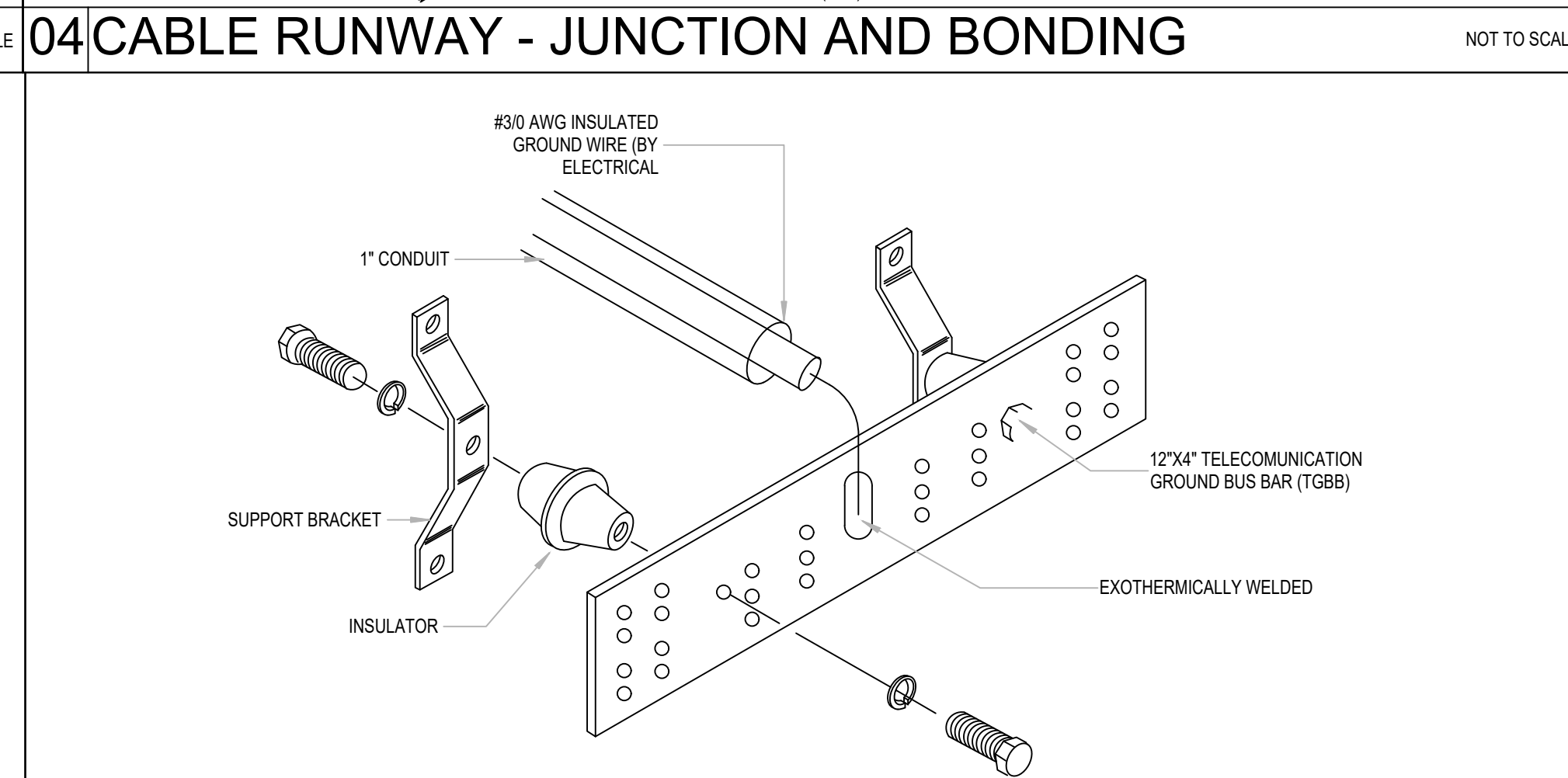
04 CABLE RUNWAY - JUNCTION AND BONDING

NOT TO SCALE



05 RACK TO RUNWAY DETAIL

NOT TO SCALE



06 TELECOMMUNICATION GROUNDING BUS DETAIL

NOT TO SCALE