

KC

drawn by

KP

checked by

MAY 2023

date

revisions

MOORE PUBLIC SCHOOLS  
BOARD OF EDUCATION  
MOORE, OKLAHOMA



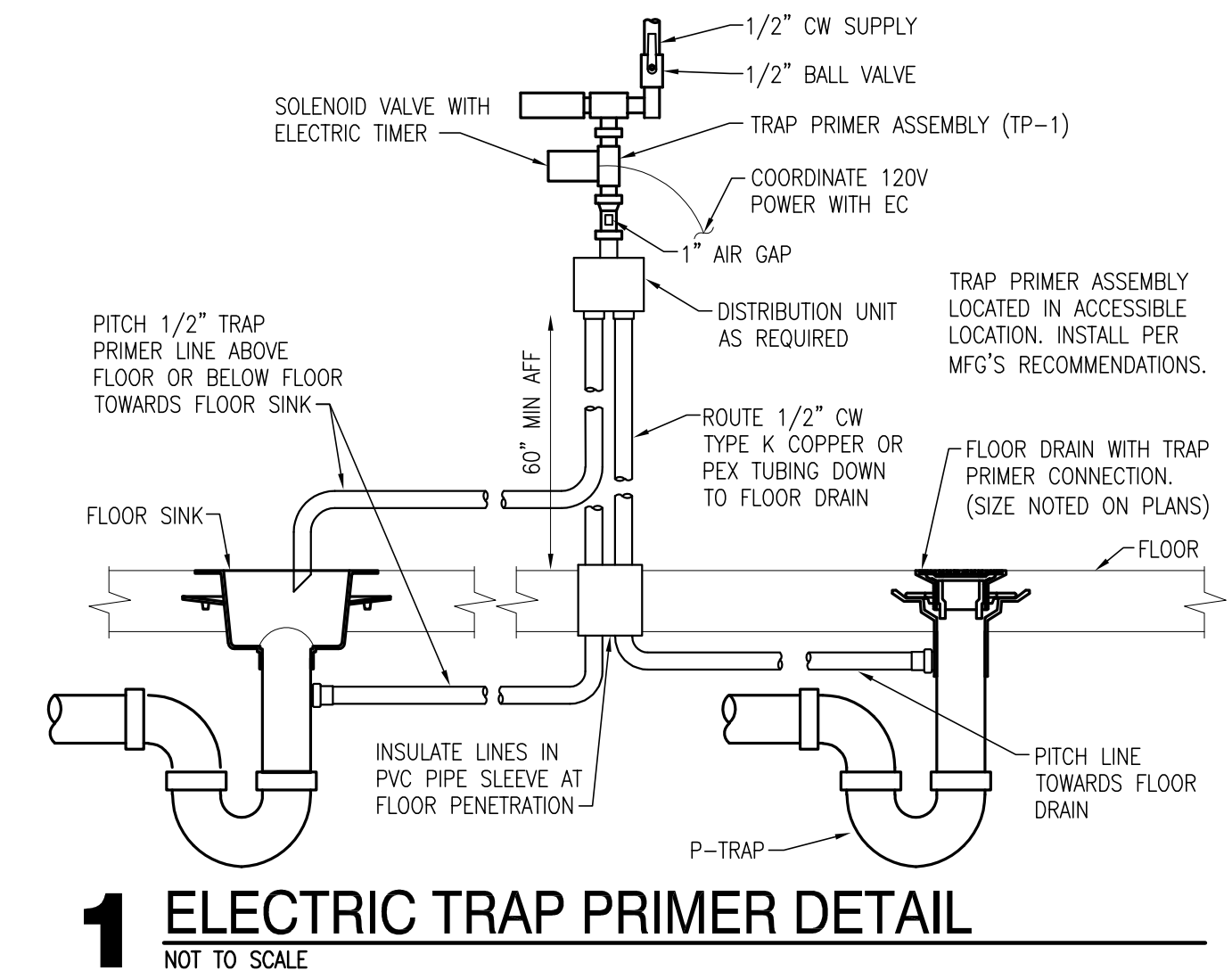
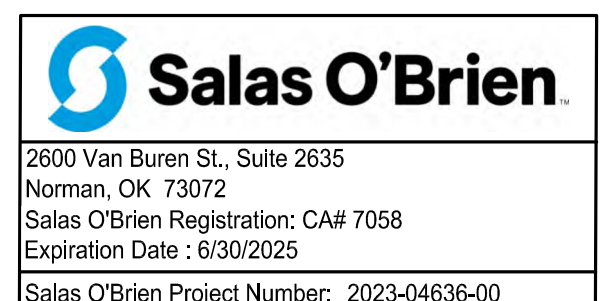
LOCKER ROOM  
ADDITION  
MOORE WEST  
JUNIOR HIGH SCHOOL

sheet no:

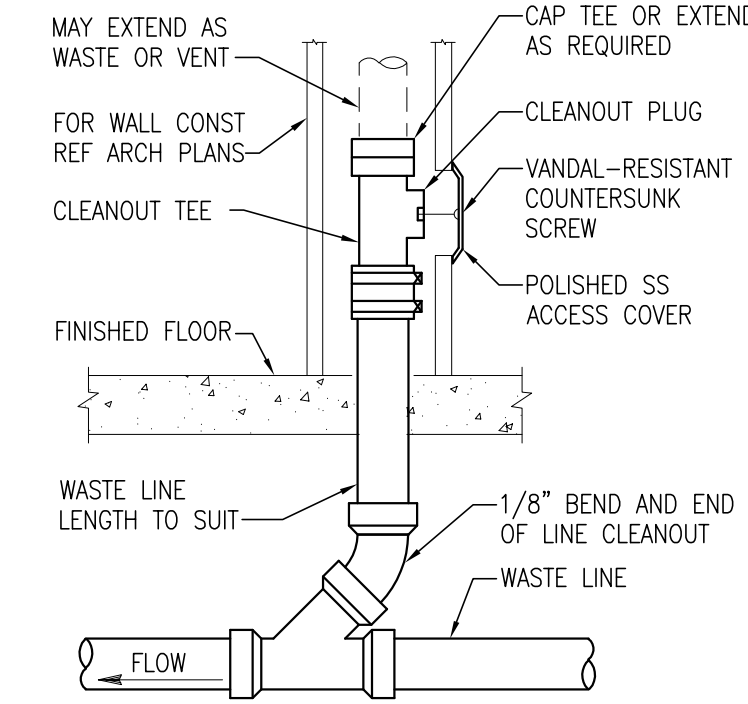
P501

OWNERSHIP USE OF DOCUMENTS:

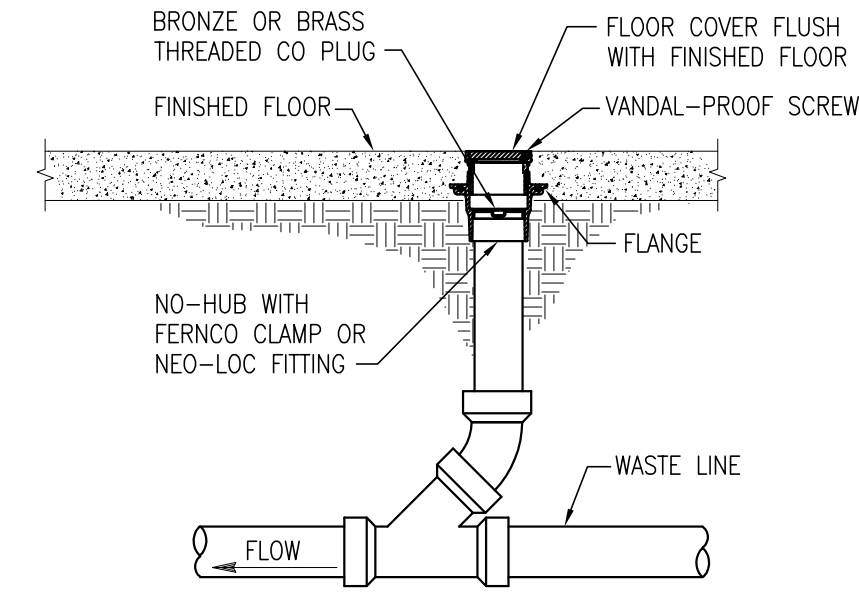
AGP EXPRESSLY RESERVES ITS  
COPYRIGHT AND OTHER PROPERTY  
RIGHTS OF ALL PLANS AND DRAWINGS  
DESIGNED AND/OR PRODUCED. PLANS  
AND DRAWINGS ARE NOT TO BE  
REPRODUCED IN ANY FORM OR MANNER  
WITHOUT THE EXPRESSED WRITTEN  
CONSENT OF AGP.



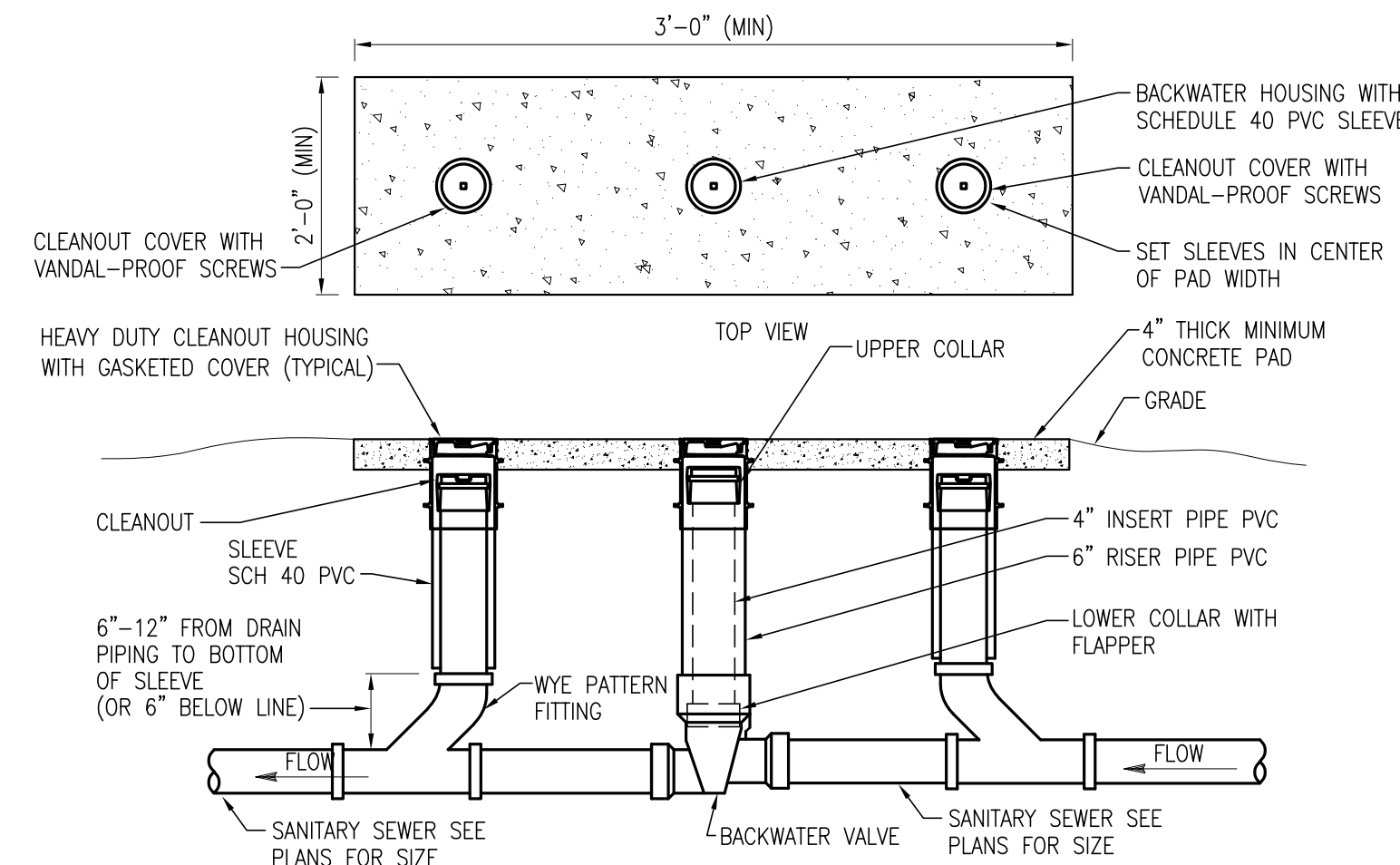
**1** ELECTRIC TRAP PRIMER DETAIL  
NOT TO SCALE



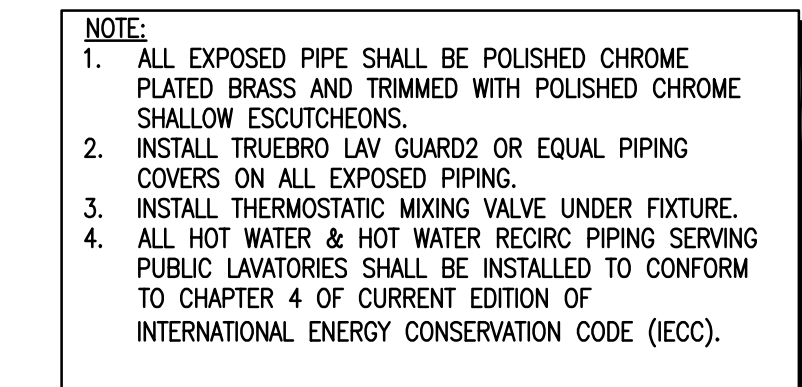
**2** WALL CLEANOUT DETAIL  
NOT TO SCALE



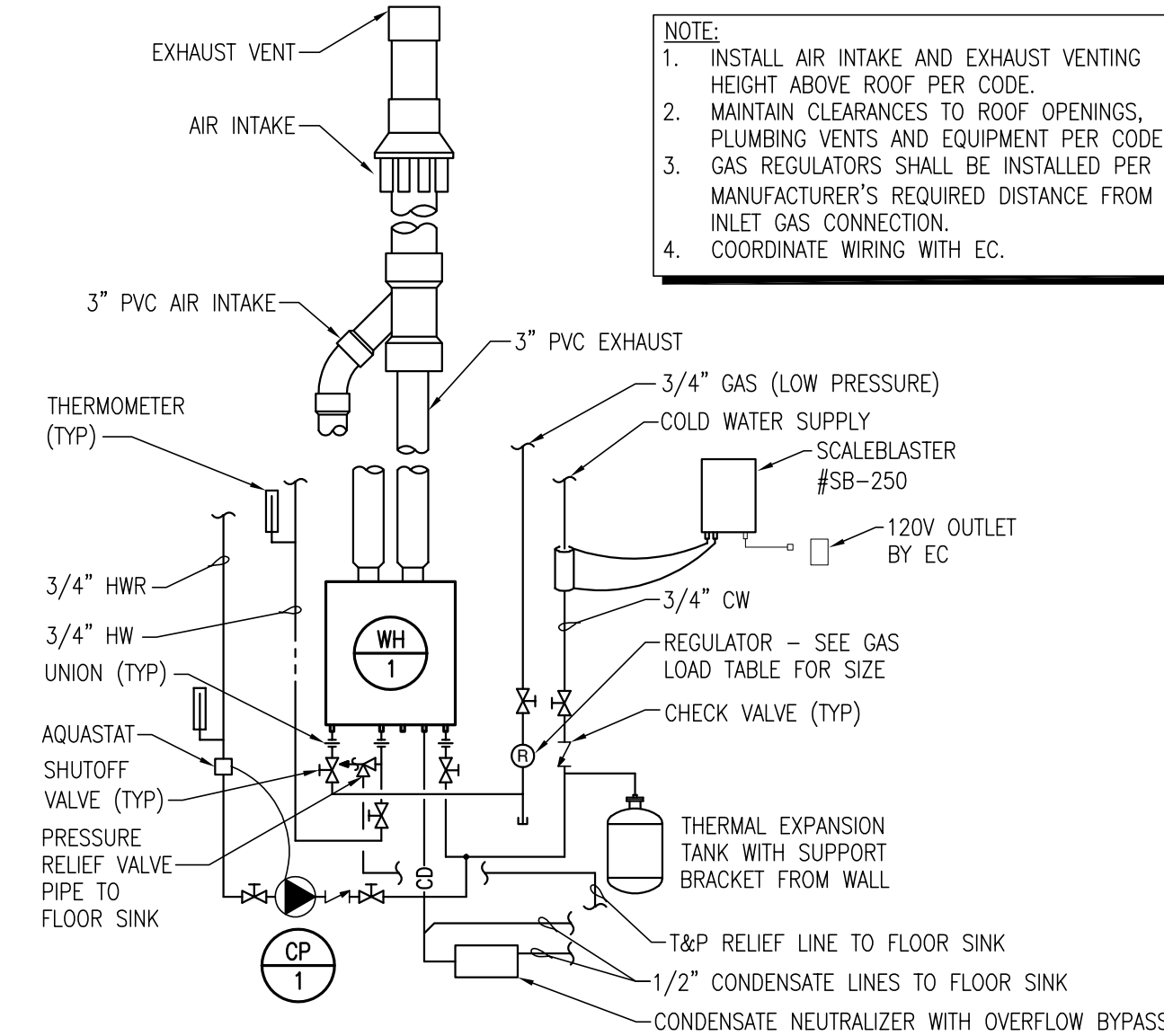
**3** INTERIOR CLEANOUT DETAIL  
NOT TO SCALE



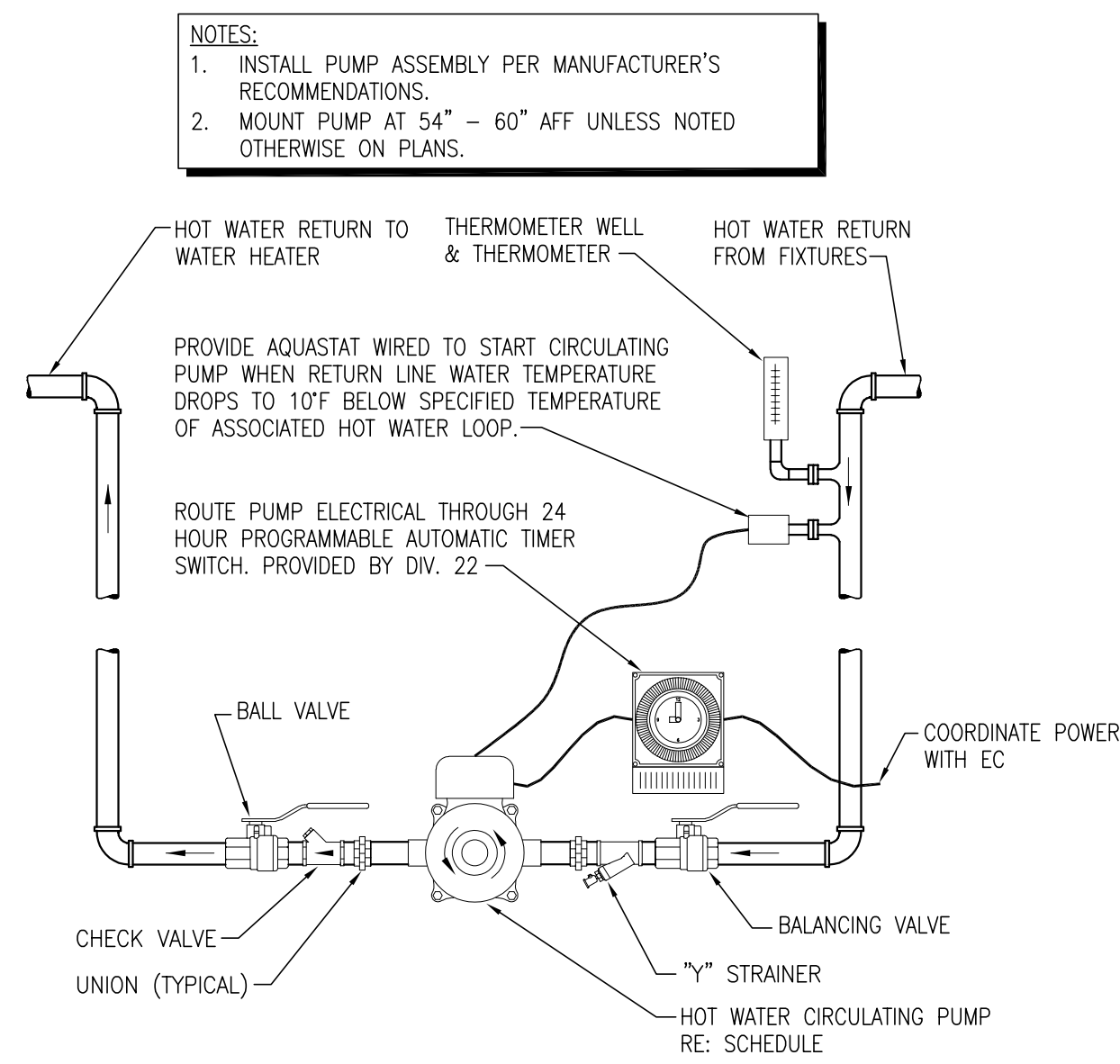
**4** BACKWATER VALVE & EXTERIOR CLEANOUT DETAIL  
NOT TO SCALE



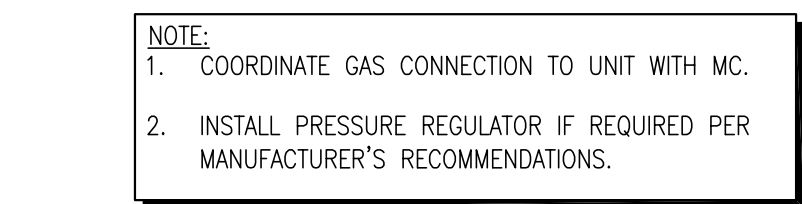
**5** PUBLIC LAVATORY PIPE HW RECIRC DETAIL  
NOT TO SCALE



**6** TANKLESS GAS WATER HEATER DETAIL  
NOT TO SCALE



**7** HW RECIRCULATION PUMP DETAIL  
NOT TO SCALE



**8** UNIT HEATER GAS CONNECTION DETAIL  
NOT TO SCALE

