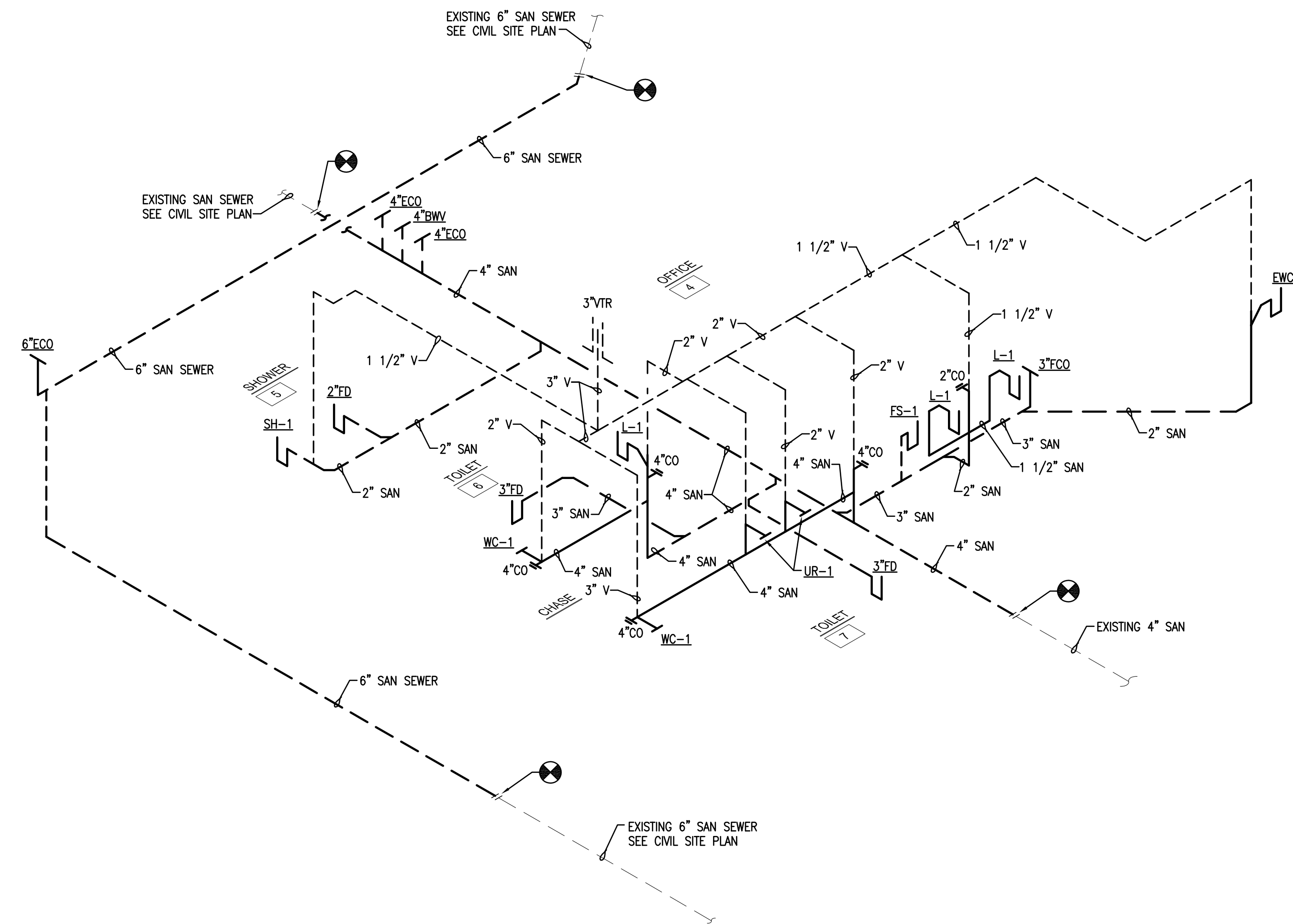


2 PLUMBING ISOMETRIC - WATER SUPPLY
SCALE: NO SCALE



1 PLUMBING ISOMETRIC - WASTE & VENT
SCALE: NO SCALE

KC	drawn by
KP	checked by
MAY 2023	date
	revisions

MOORE PUBLIC SCHOOLS
BOARD OF EDUCATION
MOORE, OKLAHOMA



LOCKER ROOM
ADDITION
MOORE WEST
JUNIOR HIGH SCHOOL

sheet no:

P401

Salas O'Brien
2600 Van Buren St., Suite 2635
Norman, OK 73072
Salas O'Brien Registration: CA# 7058
Expiration Date: 8/30/2025
Salas O'Brien Project Number: 2023-04636-00

OWNERSHIP USE OF DOCUMENTS:
AGP EXPRESSLY RESERVES ITS
COPYRIGHT AND OTHER PROPERTY
RIGHTS OF ALL PLANS AND DRAWINGS
DESIGNED AND/OR PRODUCED. PLANS
AND DRAWINGS ARE NOT TO BE
REPRODUCED IN ANY FORM OR MANNER
WITHOUT THE EXPRESSED WRITTEN
CONSENT OF AGP.