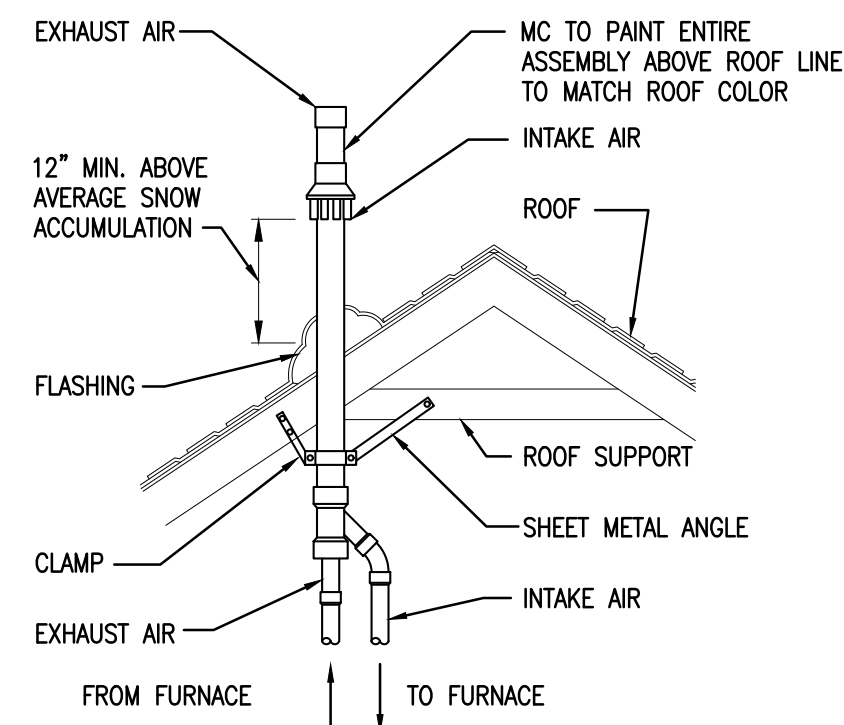
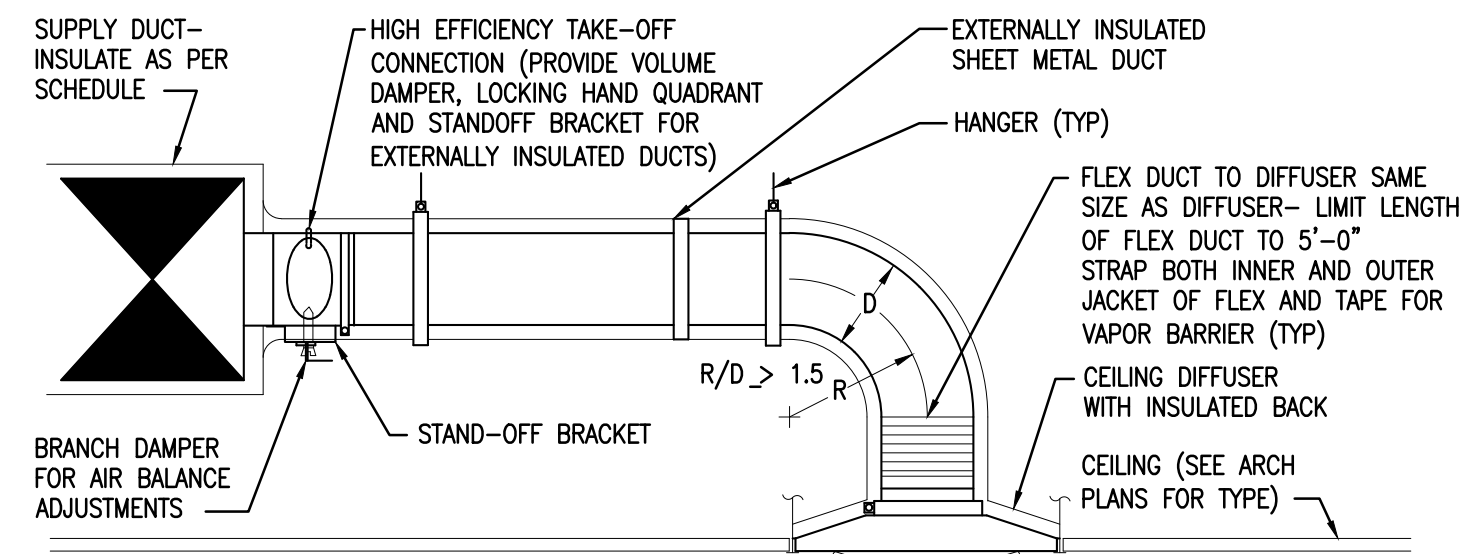


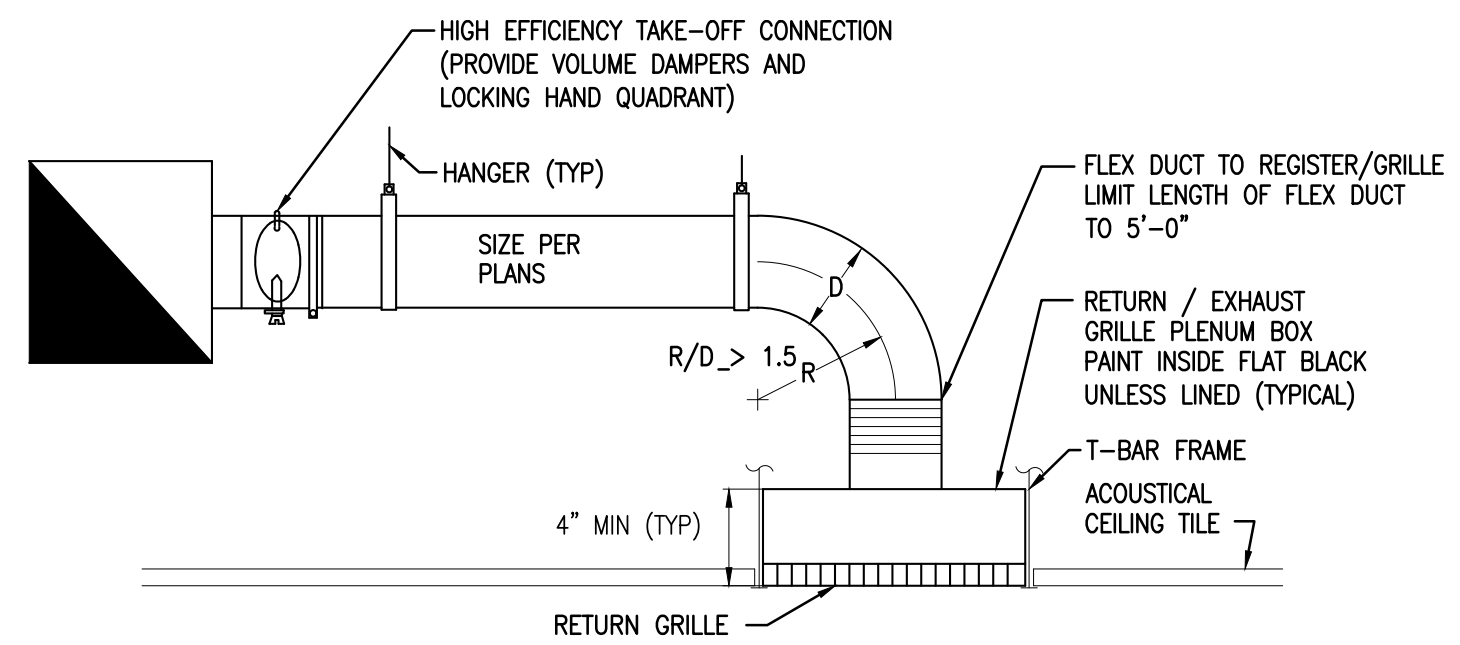
4 POWER ROOF VENTILATOR DETAIL
NOT TO SCALE



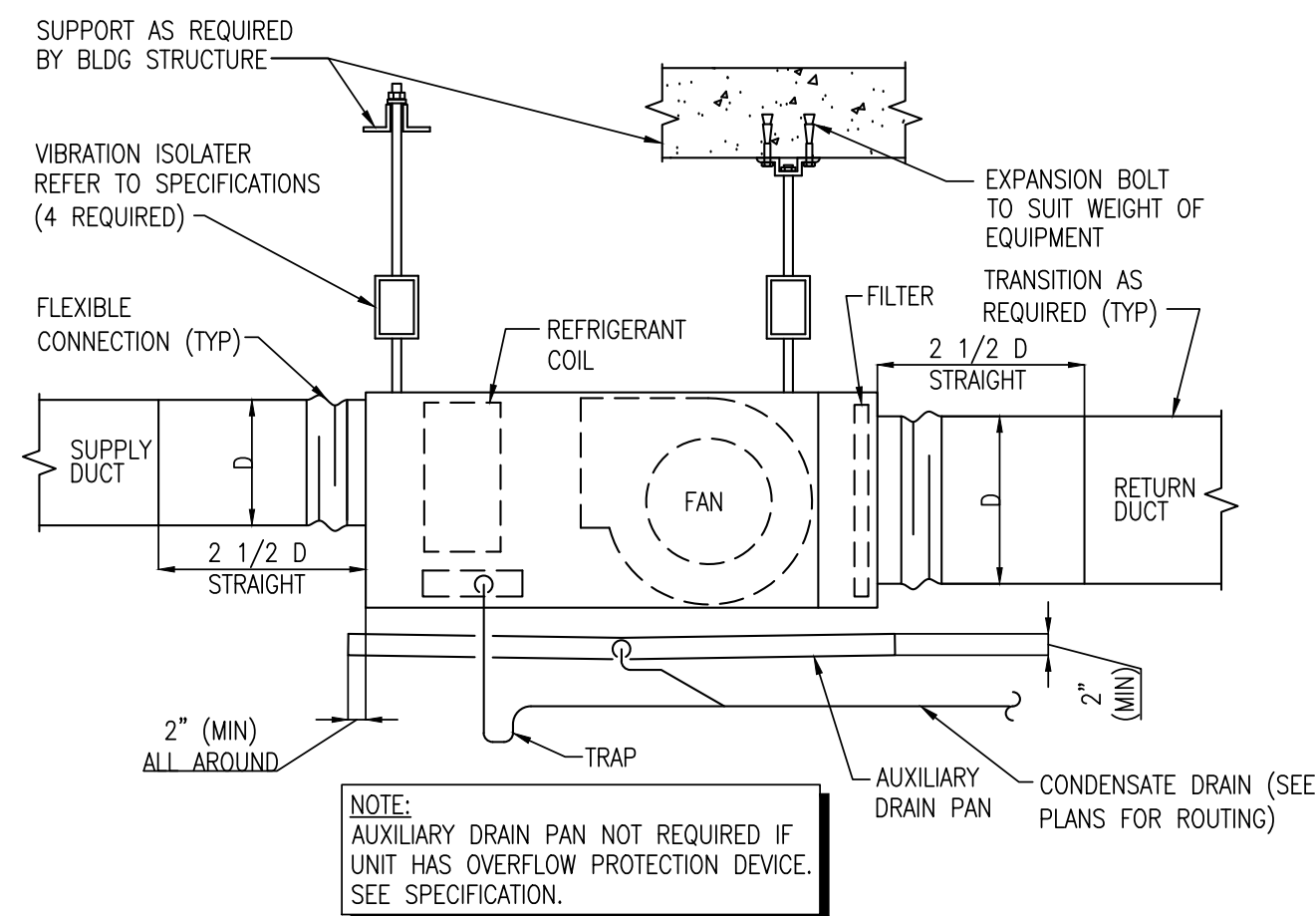
7 VENT TERMINATION DETAIL
NOT TO SCALE



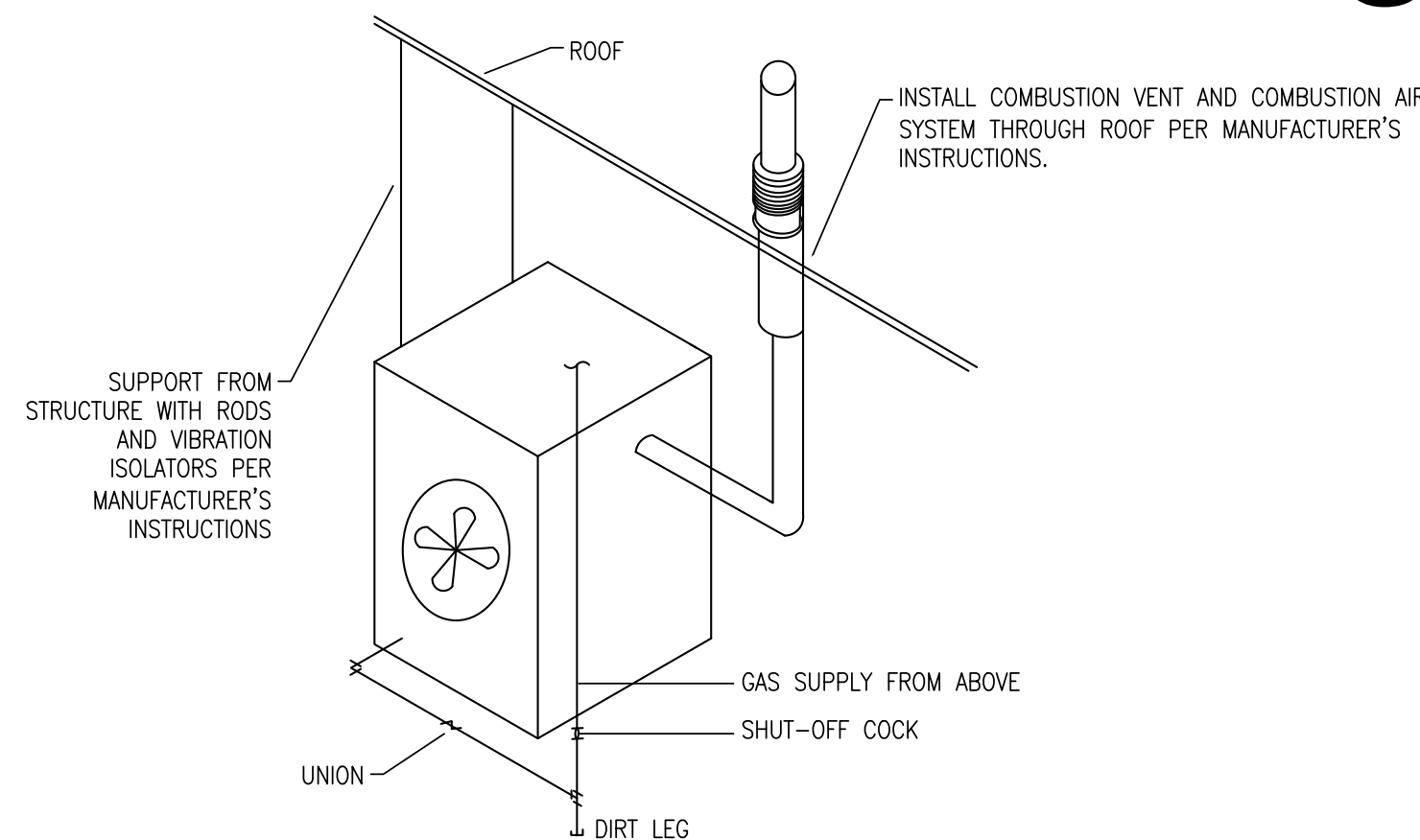
2 CEILING DIFFUSER DETAIL
NOT TO SCALE



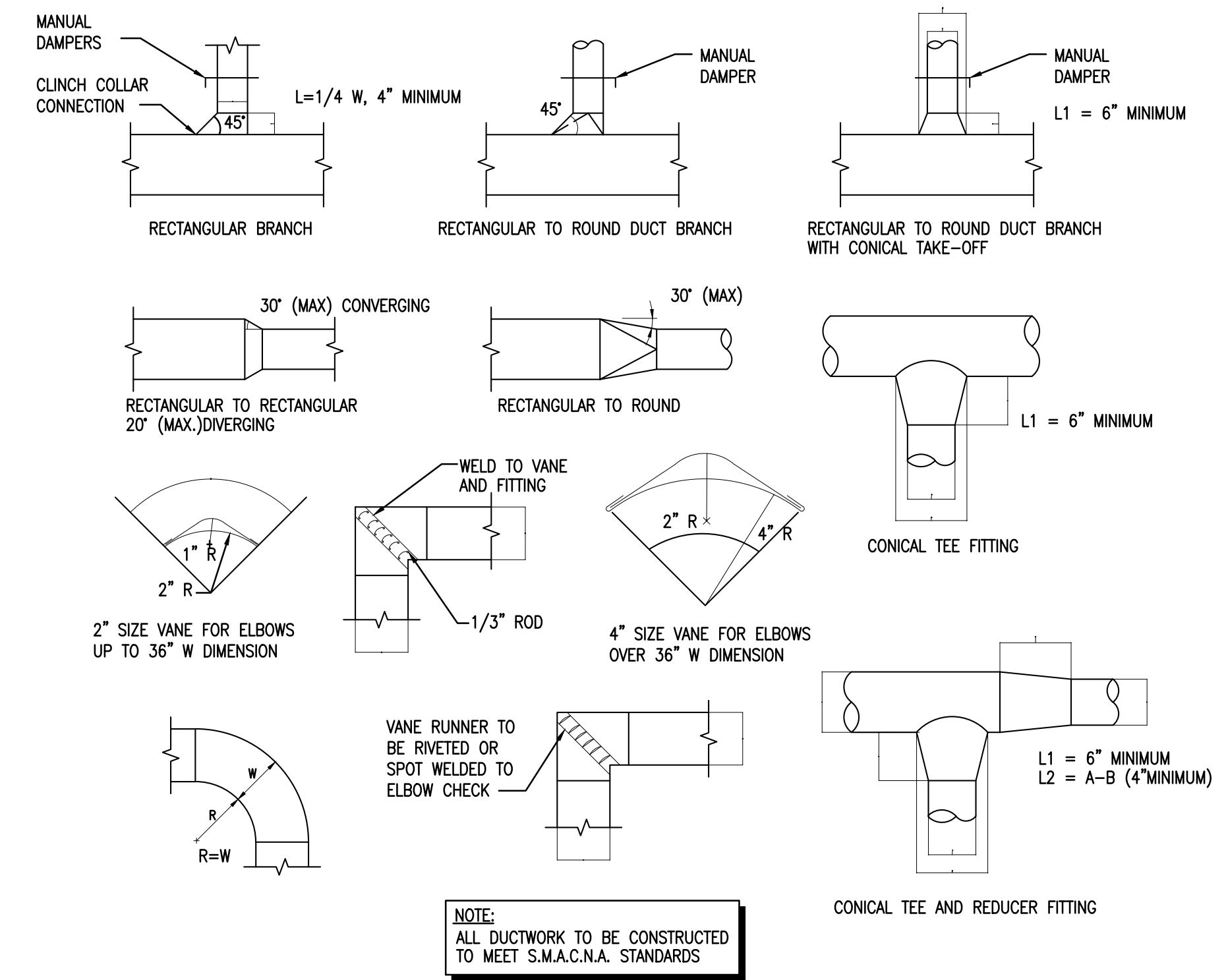
3 RETURN / EXHAUST AIR GRILLE PLENUM BOX
NOT TO SCALE



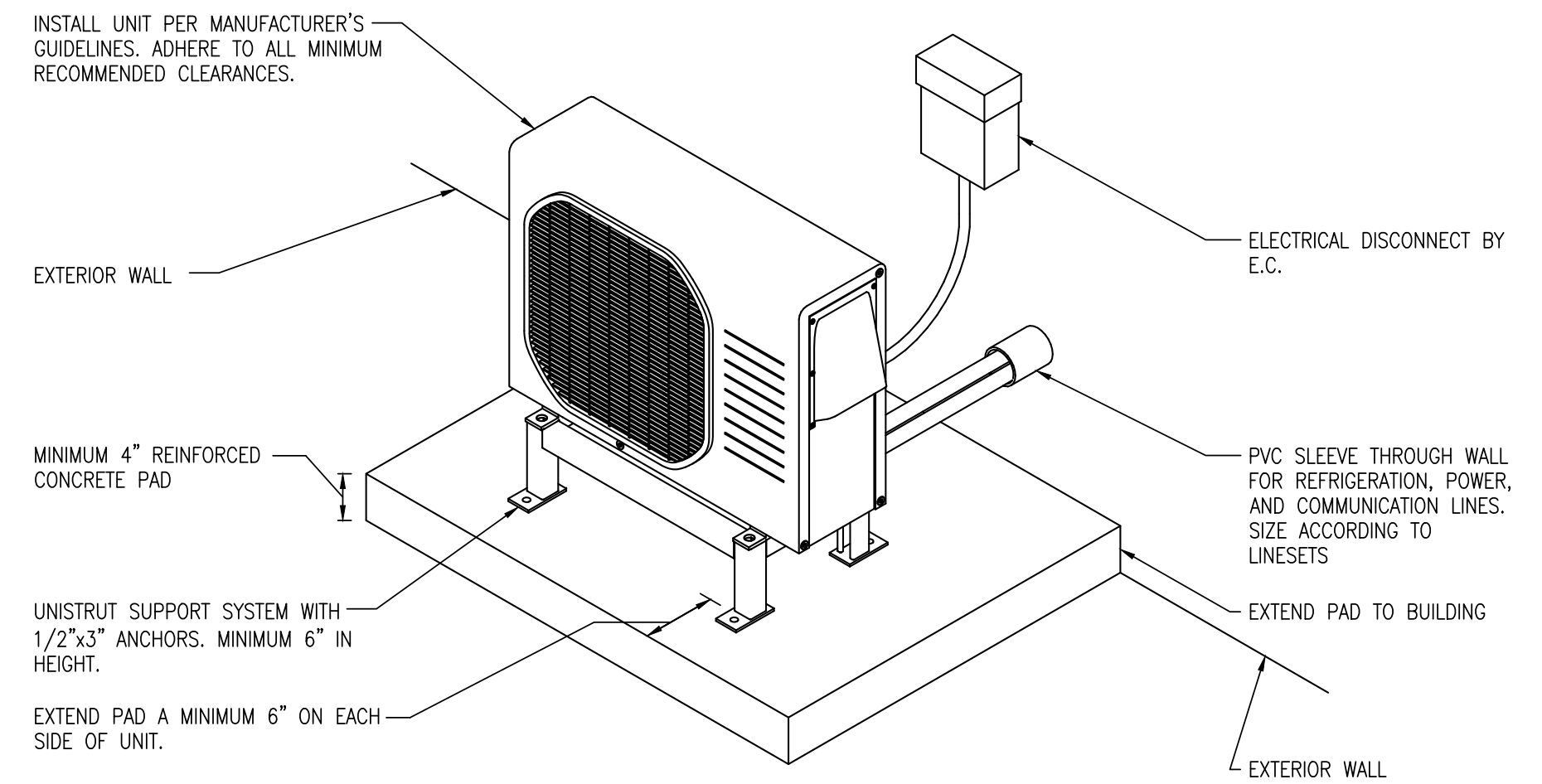
6 FAN COIL UNIT MOUNTING DETAIL
NOT TO SCALE



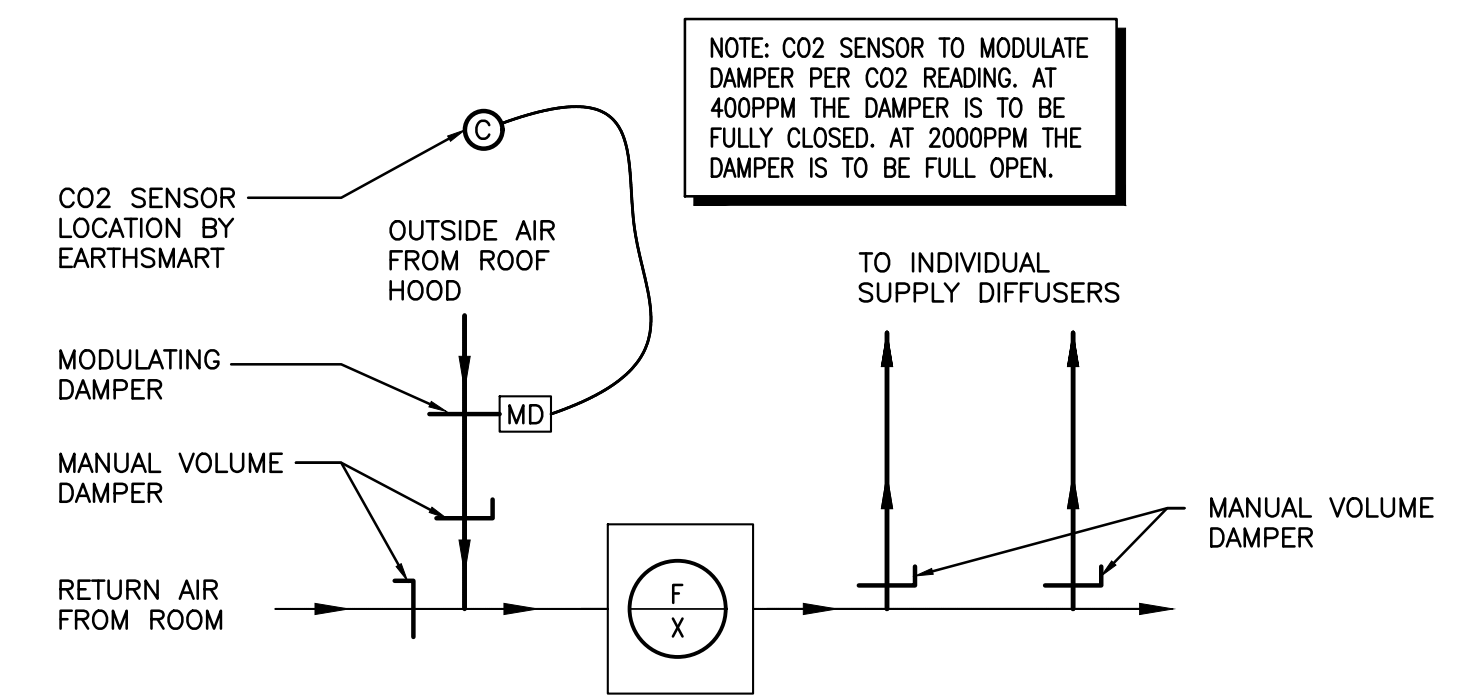
9 UNIT HEATER DETAIL
NOT SCALE



1 TYPICAL DUCTWORK DETAILS
NOT TO SCALE



5 MINI-SPLIT CONDENSING UNIT DIAGRAM
NOT TO SCALE



8 TYPICAL FURNACE AIR BALANCING SCHEMATIC
NOT TO SCALE



KF
drawn by
DMG
checked by
MAY 2023
date
revisions

MOORE PUBLIC SCHOOLS
BOARD OF EDUCATION
MOORE, OKLAHOMA



LOCKER ROOM
ADDITION
MOORE WEST
JUNIOR HIGH SCHOOL

sheet no:

M501