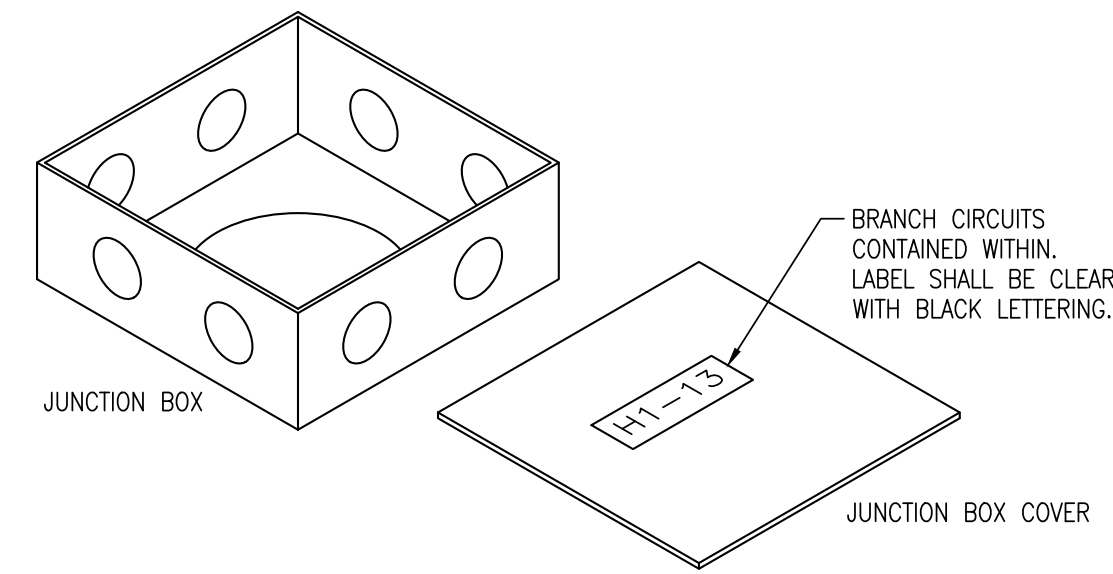
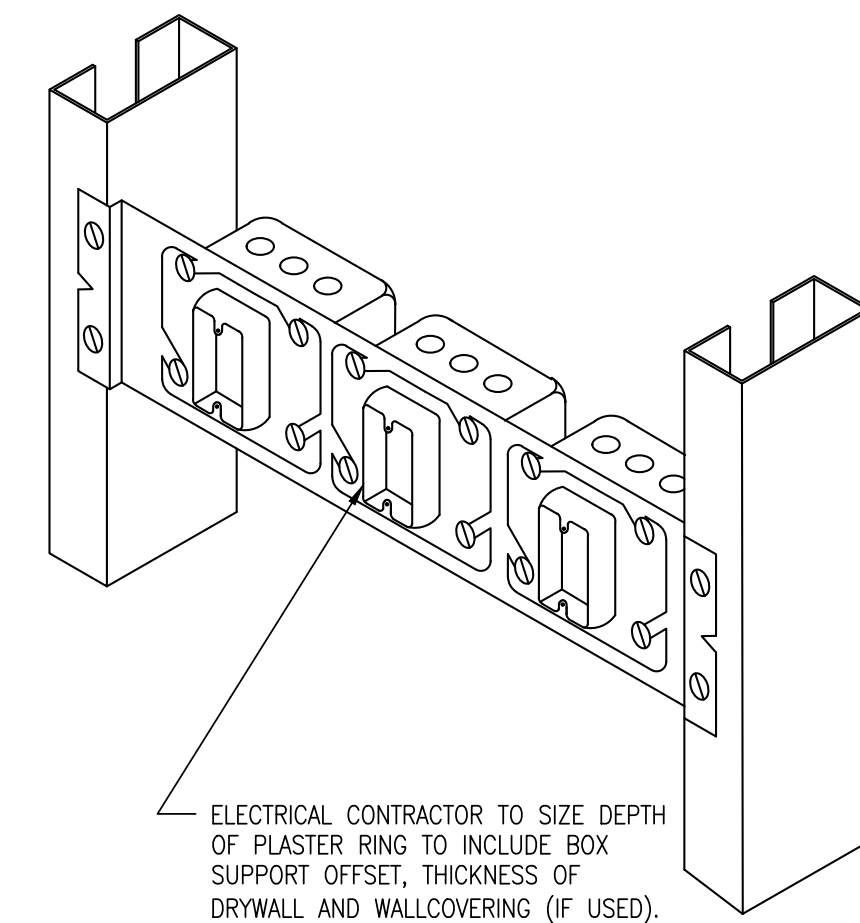


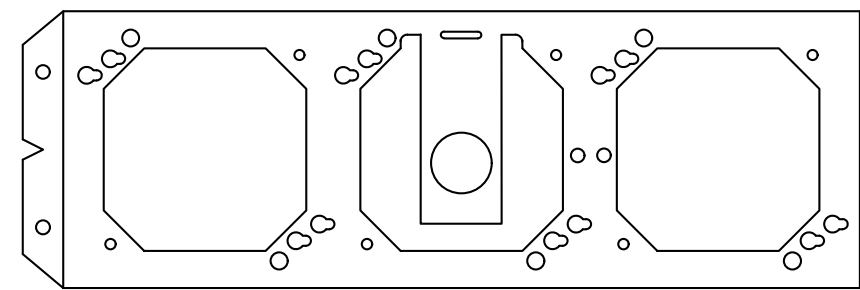
**4 TYP OUTLET MOUNTING DETAIL**  
NO SCALE



**3 JUNCTION BOX LABELING DETAIL**  
NO SCALE

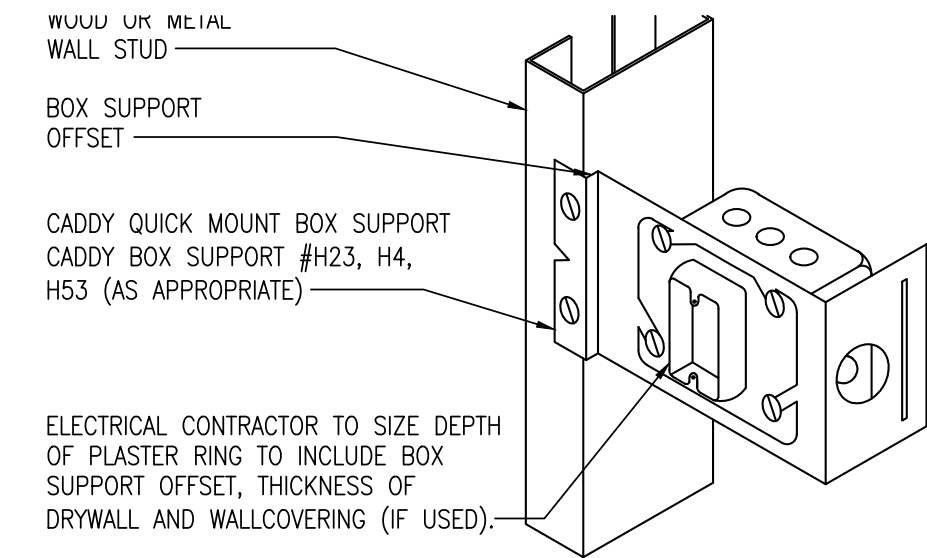


SOME EXAMPLES:  
- 3/4" PLASTER RING FOR SINGLE LAYER 5/8" GYPSUM BOARD WALL FINISH  
- 1" PLASTER RING FOR TWO LAYER WALL FINISH 1/2" OVER 1/4"

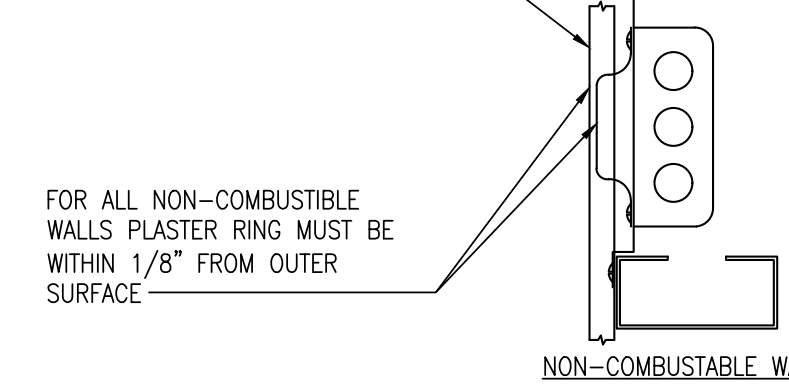
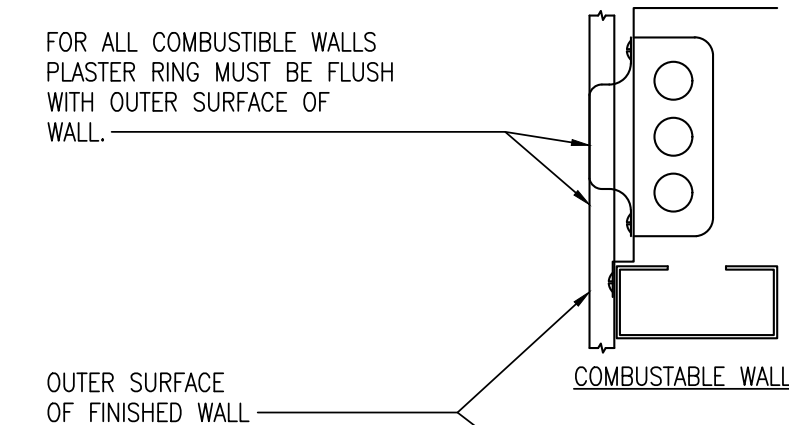


CADDY BOX SUPPORT #RBS16 - FOR STUDS 16" ON CENTER.  
CADDY BOX SUPPORT #RBS24 - FOR STUDS 24" ON CENTER.

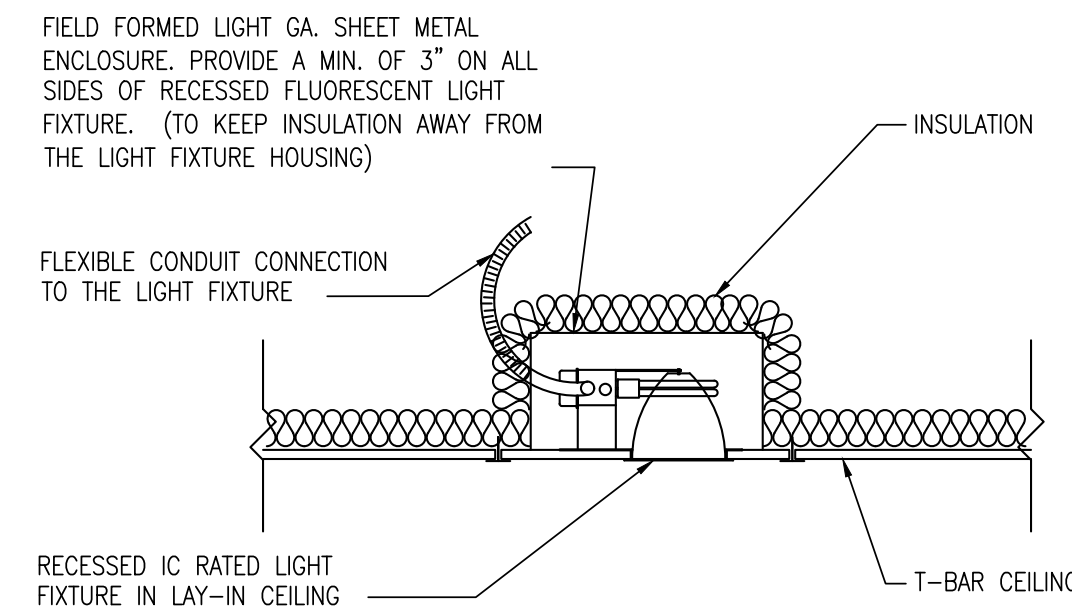
**2 MULTIPLE BOX SUPPORT DETAIL**  
NO SCALE



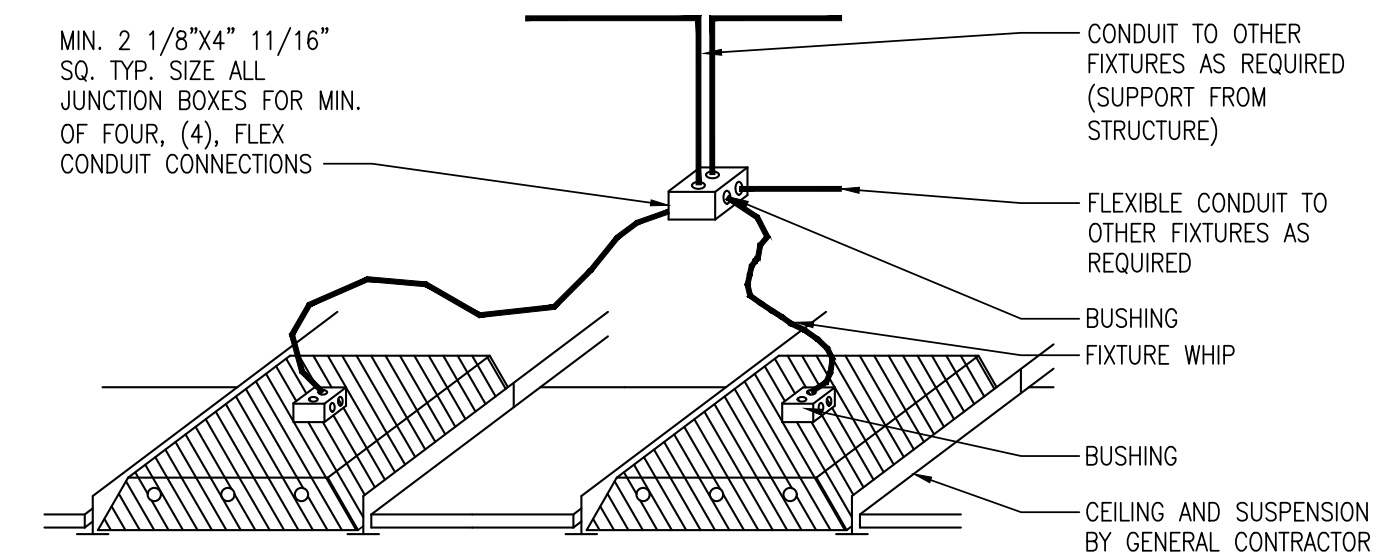
SOME EXAMPLES:  
- 3/4" PLASTER RING FOR SINGLE LAYER 5/8" GYPSUM BOARD WALL FINISH  
- 1" PLASTER RING FOR TWO LAYER WALL FINISH 1/2" OVER 1/4"



**1 BOX SUPPORT DETAIL**  
NO SCALE



**6 IC LIGHT FIXTURE DETAIL**  
NO SCALE



**5 TYP. TROFFER POWER DETAIL**  
NO SCALE



GT	drawn by
DW	checked by
MAY 2023	date
	revisions