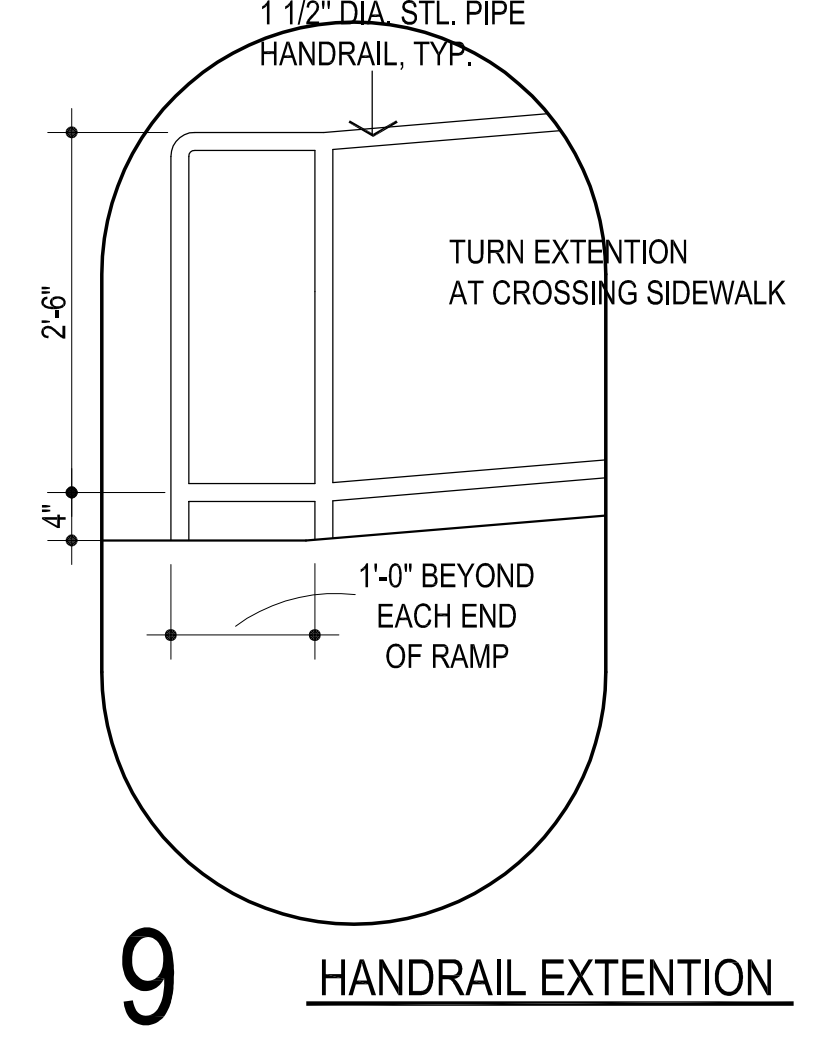
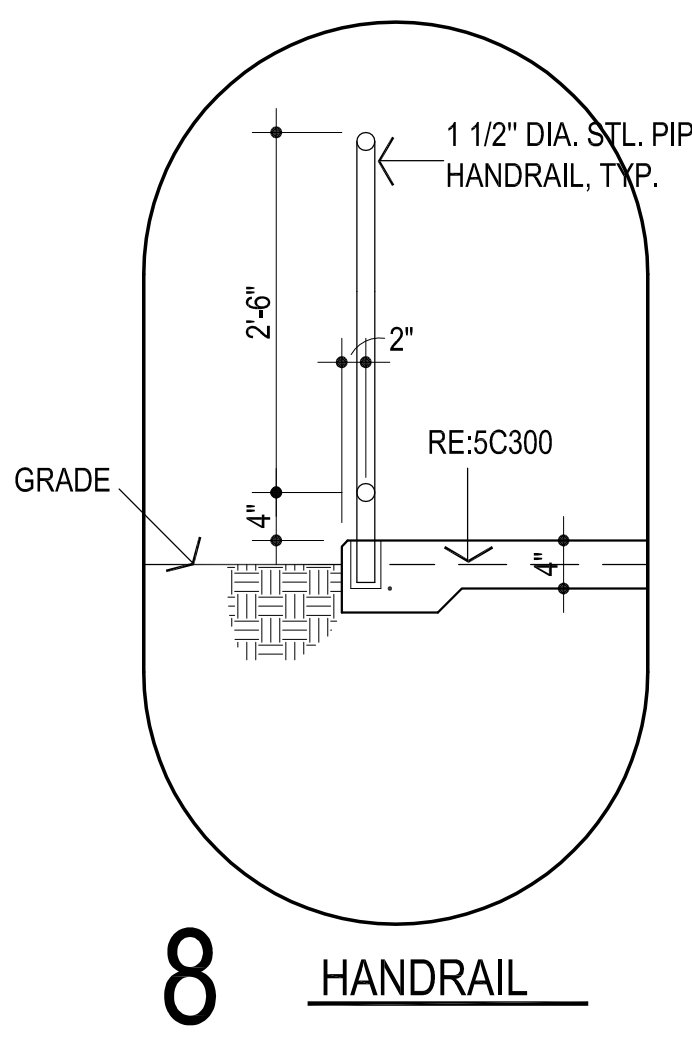
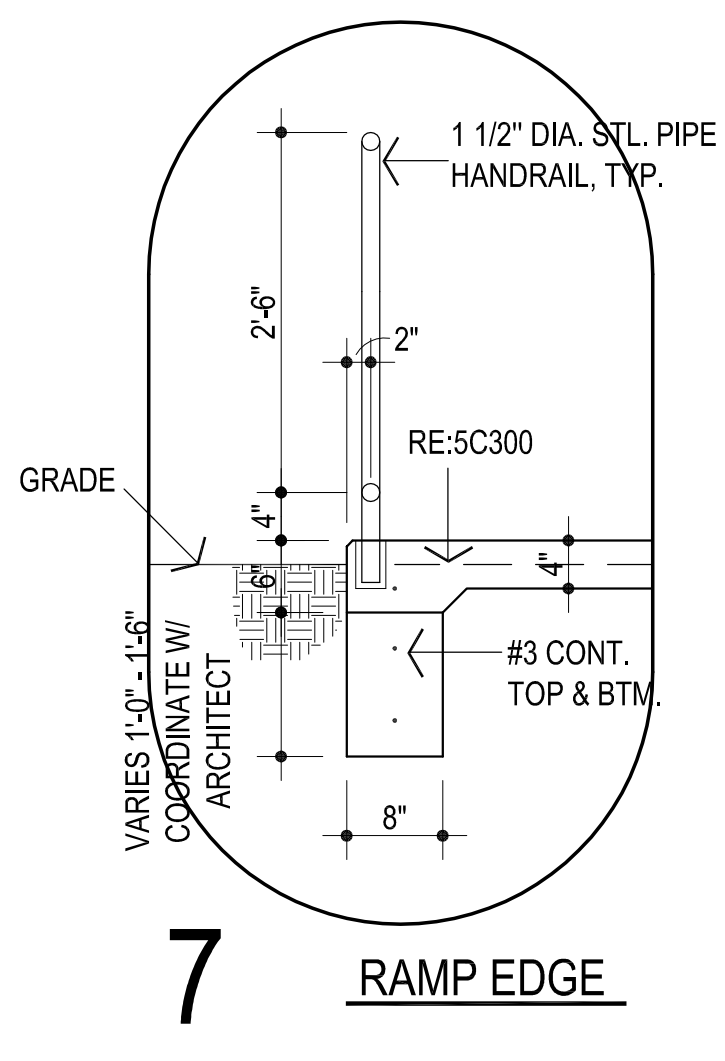
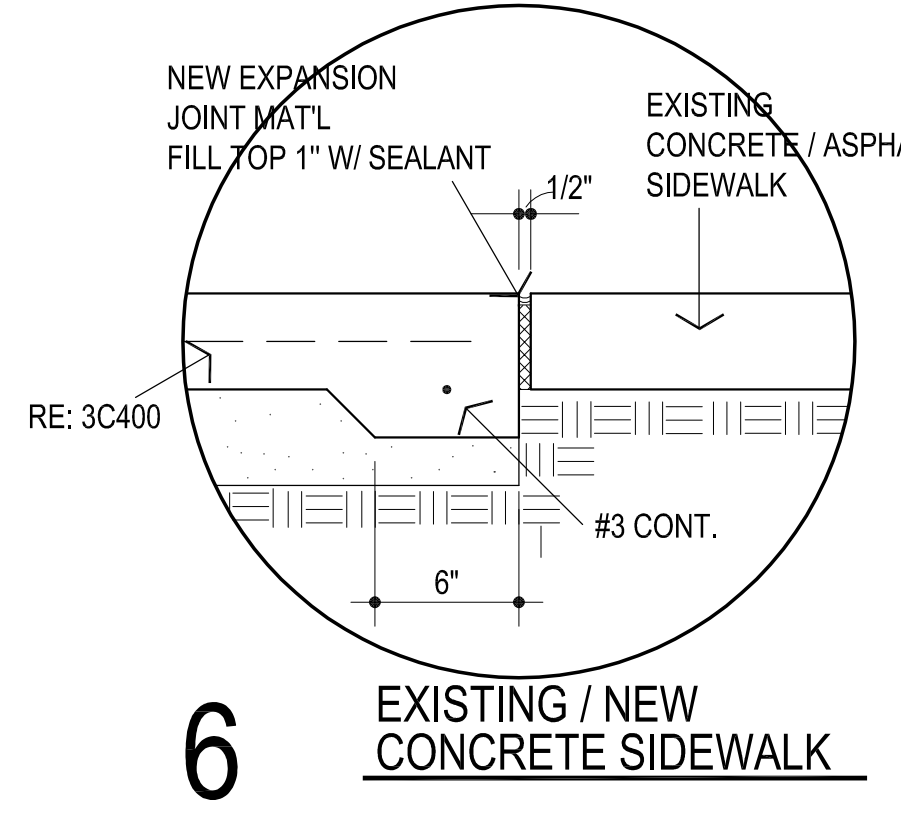
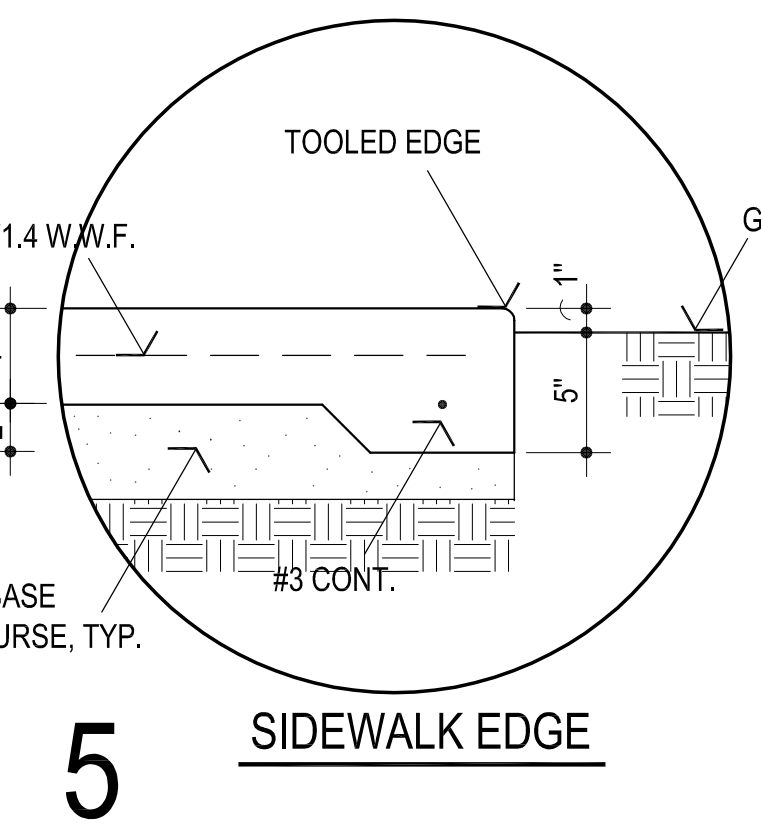
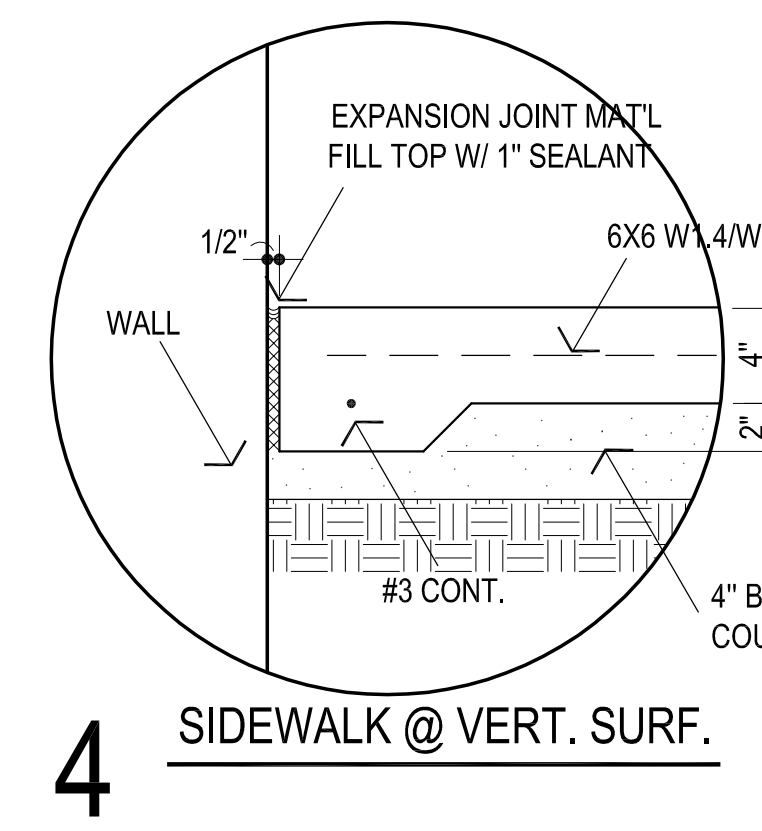
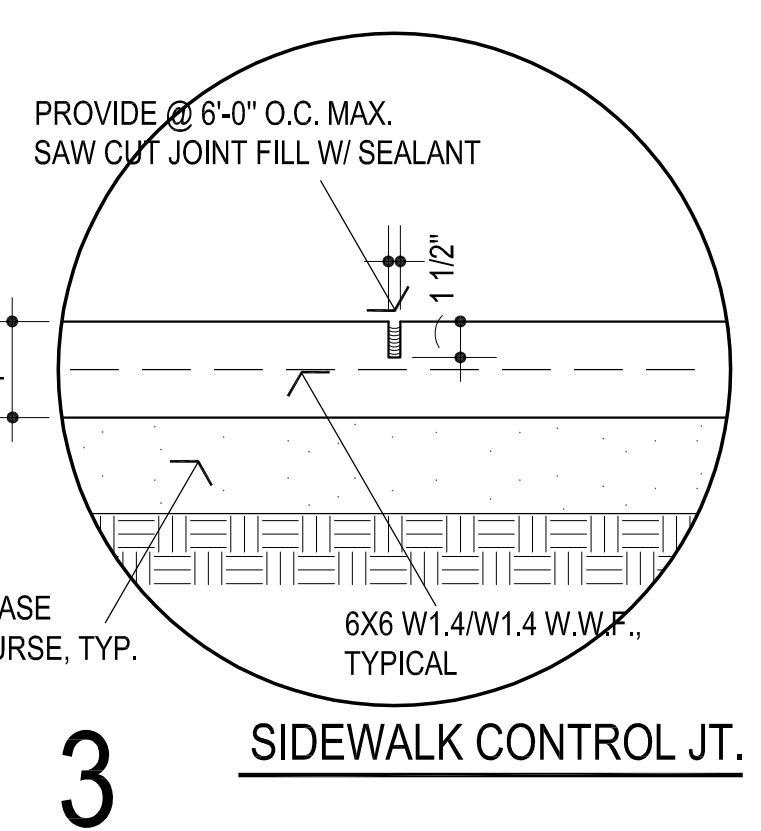
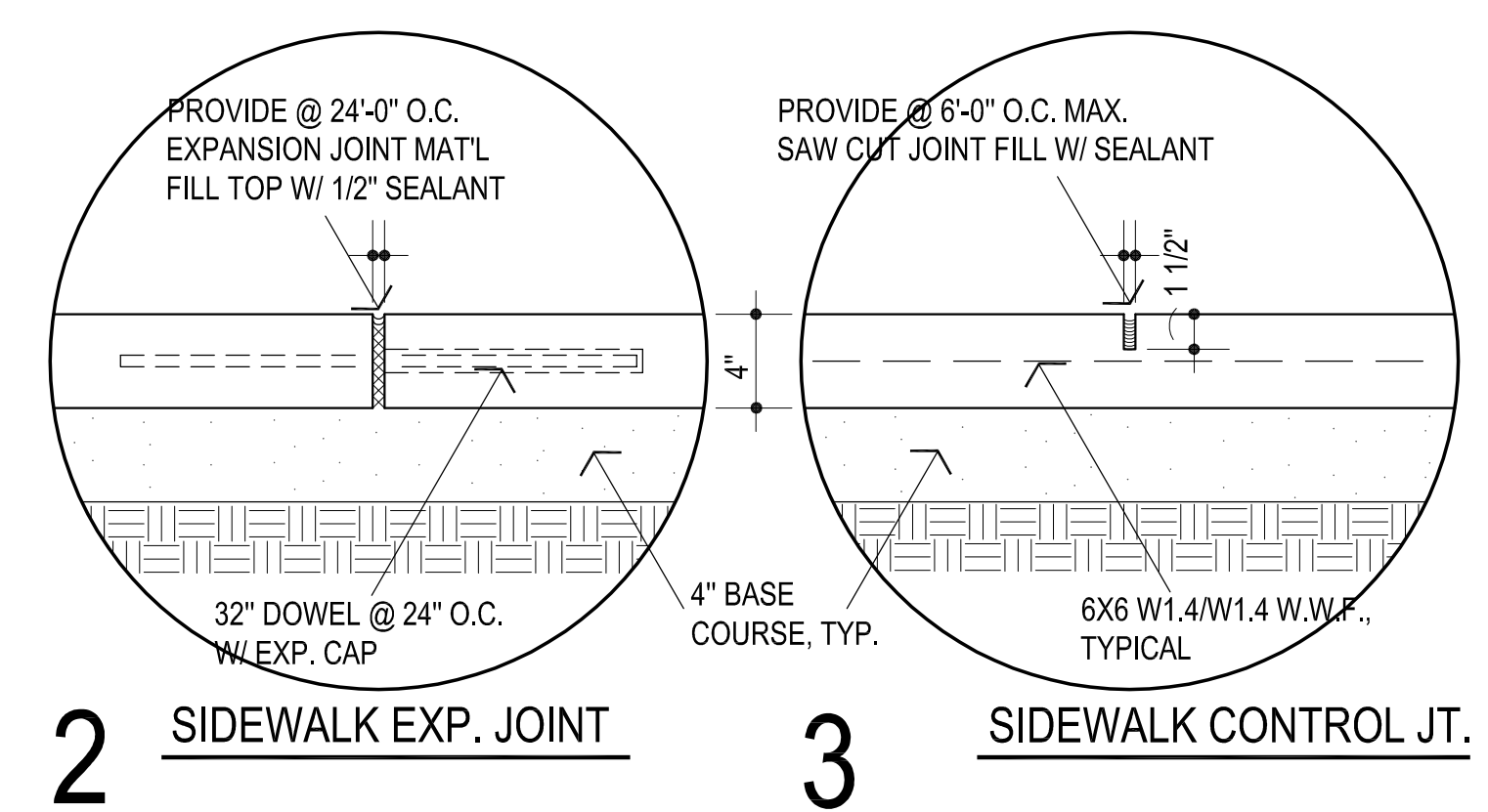


**1** PAVING SITE PLAN  
1" = 20'-0"



|            |       |
|------------|-------|
| CG         | _____ |
| drawn by   | _____ |
| MA         | _____ |
| checked by | _____ |
| MAY 2023   | _____ |
| date       | _____ |
| revisions  | _____ |

