

WDB ENGINEERING

CIVIL

SALAS O'BRIEN

MECHANICAL / ELECTRICAL



CG  
drawn by  
CG  
MA  
checked by  
MAY 2023  
date  
revisions

MOORE PUBLIC SCHOOLS  
BOARD OF EDUCATION  
MOORE, OKLAHOMA



LOCKER ROOM  
ADDITION  
MOORE WEST  
JUNIOR HIGH SCHOOL

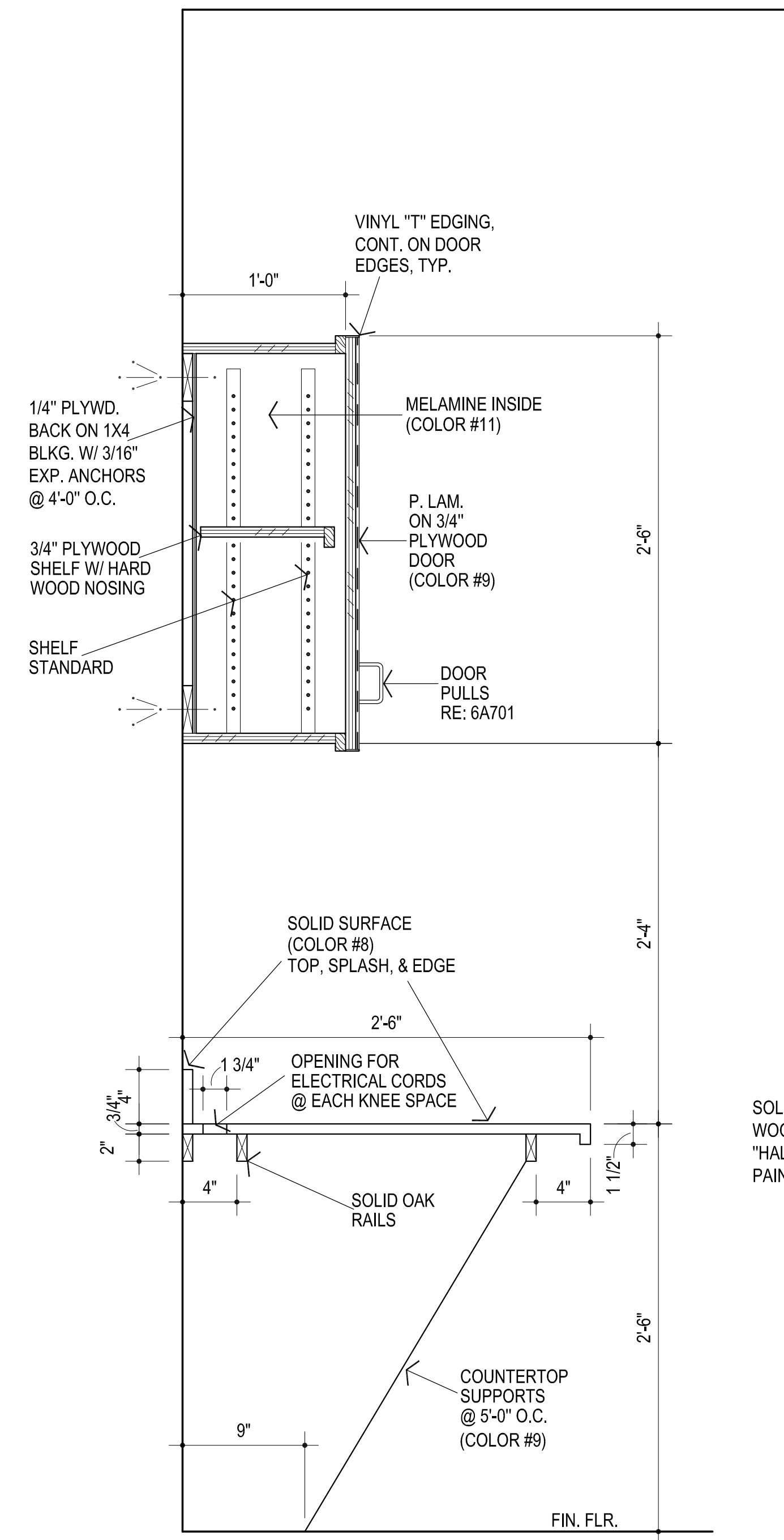
sheet no:

**A701**

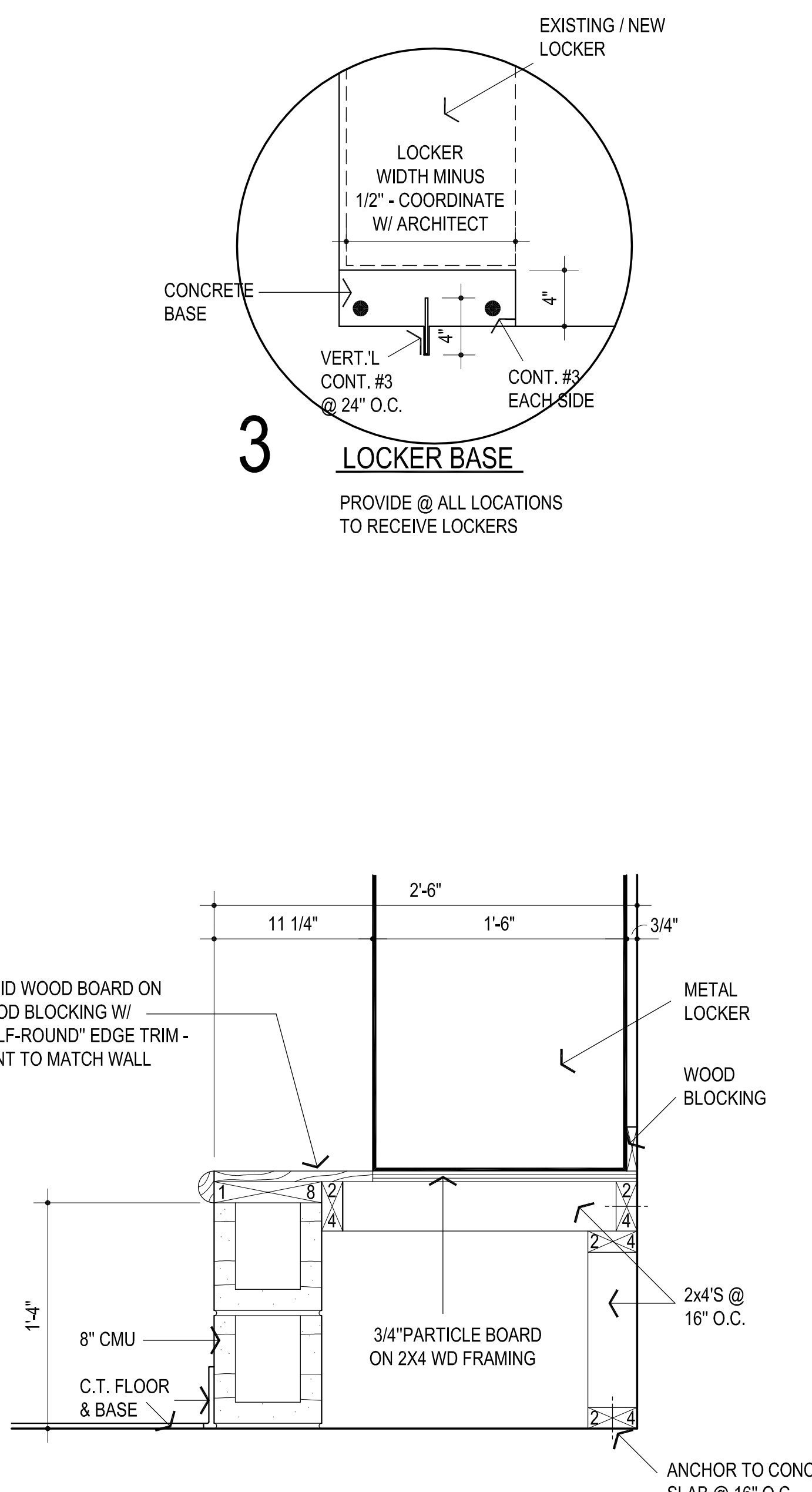
OWNERSHIP USE OF DOCUMENTS:

AGP EXPRESSLY RESERVES ITS  
COPYRIGHT AND OTHER PROPERTY  
RIGHTS OF ALL PLANS AND DRAWINGS  
DESIGNED AND/OR PRODUCED. PLANS  
AND DRAWINGS ARE NOT TO BE  
REPRODUCED IN ANY FORM OR MANNER  
WITHOUT THE EXPRESSED WRITTEN  
CONSENT OF AGP.

FRAMELESS CABINET / EUROPEAN  
CONSTRUCTION IS ACCEPTABLE

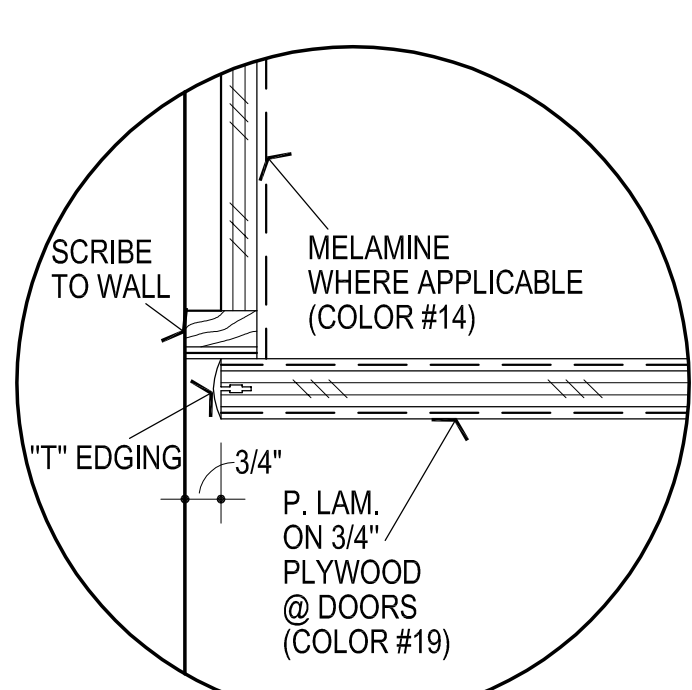


**1** COUNTER W/ WALL CABINET  
1 1/2" = 1'-0"

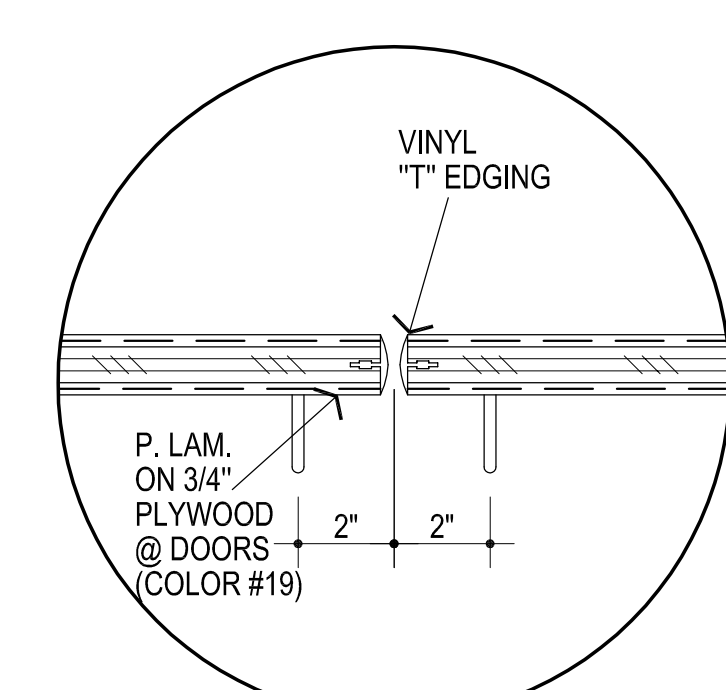


**2** LOCKER SUPPORT / SEAT  
1 1/2" = 1'-0"

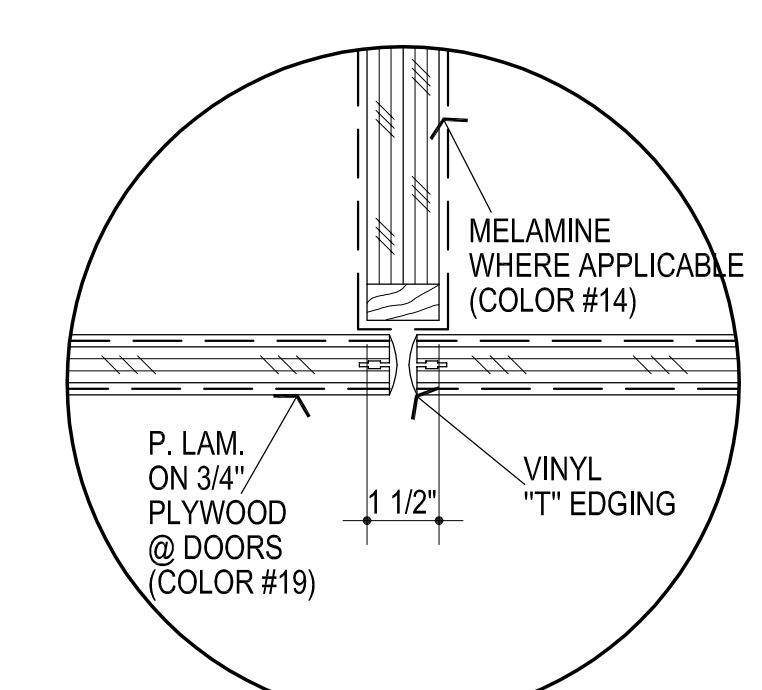
**4** NUMBER NOT USED



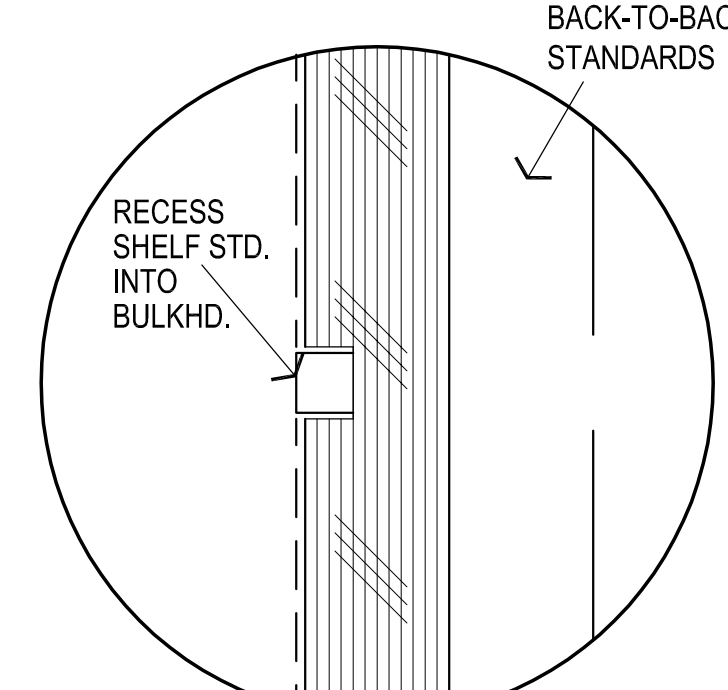
**5** DOOR @ WALL



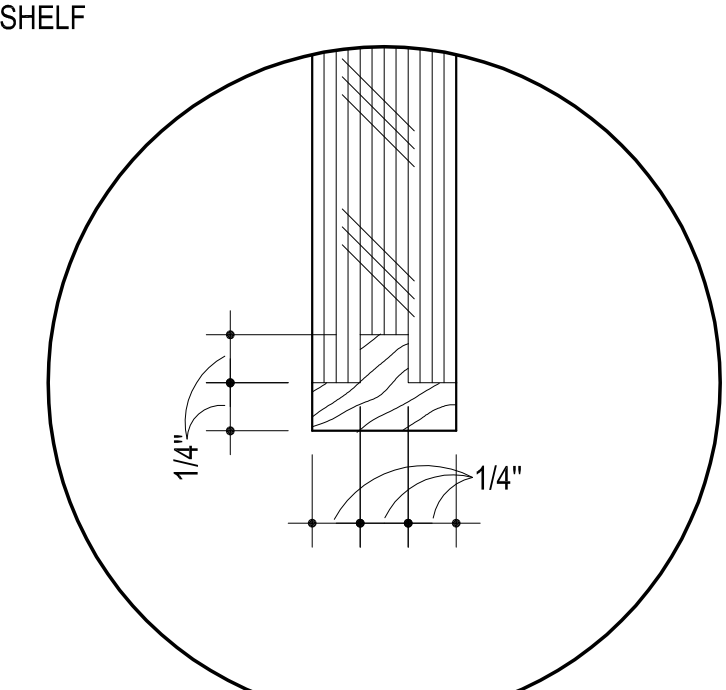
**6** PULLS



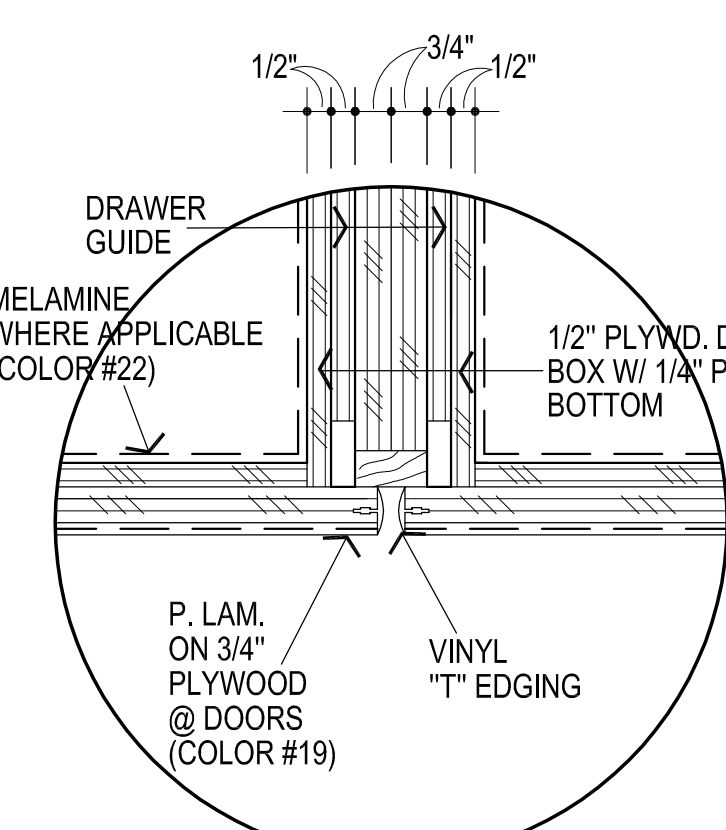
**7** DOORS @ STILE



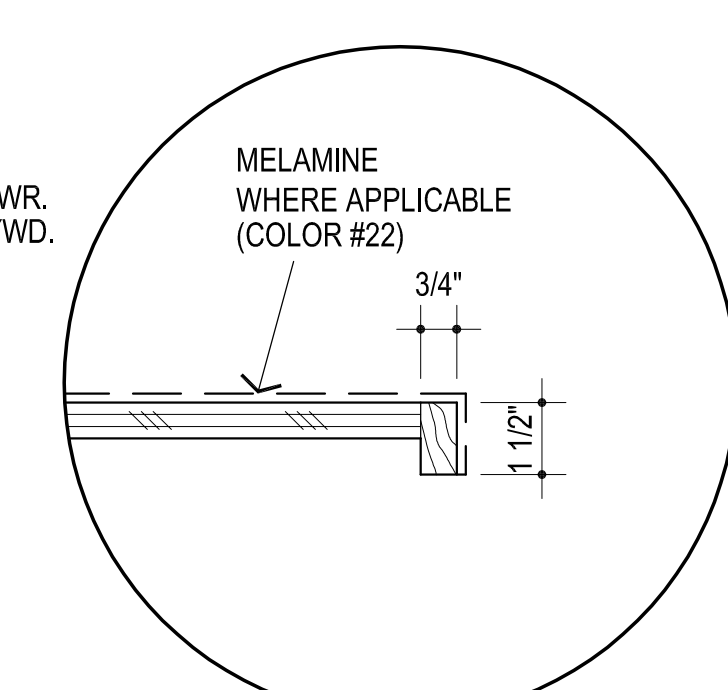
**8** RECESSED STANDARDS



**9** HARDWOOD EDGE



**10** DRWR. TO DRWR.



**11** SHELF EDGE

- NOTES:
- ALL DETAILS 3" = 1'-0" UNLESS NOTED OTHERWISE.
  - RE: ROOM FINISH SCHEDULE FOR FINISHES, FLOOR / WALL MATERIALS, ETC.