

DESCRIPTION	RM. NO.	FLOOR	BASE	CEILING	CLG. HT.	REMARKS	RM. NO.	WALLS	PAINT / COLOR SCHEDULE						
									CLG.	N	E	S	W	REMARKS	
VESTIBULE	1						1		(1)	(2)	(2)	(2)	(2)	(7)	
LOCKER ROOM	2					EPOXY PAINT	2		(1)	(2)	(2)	(2)	(2)	(7)(16)(13)	EPOXY PAINT
VESTIBULE	3						3		(1)	(2)	(2)	(2)	(2)	(7)	
OFFICE	4				8'-8"		4		(14)	(2)	(2)	(2)	(2)	(6)(7)(8)(9)(16)(17)	
SHOWER	5				8'-8"	EPOXY PAINT	5		(1)	(2)	(2)	(2)	(2)	(12)(2a)(13)	EPOXY PAINT
TOILET	6				8'-8"	EPOXY PAINT	6		(1)	(2)	(2)	(2)	(2)	(12)	EPOXY PAINT
TOILET	7				8'-8"	EPOXY PAINT	7		(1)	(2)	(2)	(2)	(2)	(7)	EPOXY PAINT

DOOR NO.	LOCATION		DOOR ELEV.	DOOR MATL.	DOOR SIZE			FRAME ELEV.	DOOR DETAILS				REMARKS	HWYR. SET NO.
	FROM	TO			WIDTH	HEIGHT	TH K		HEAD	SILL	JAMB	JAMB		
1	1	EXT.	A	H.M.	3'-0"	7'-0"	1 3/4"	A	1A501	15A501	8A501	8A501		3
2	4	EXT.	A	H.M.	↑	↑	↑	↑	1A501	15A501	8A501	8A501		3
3	4	5	B	H.M.	↑	↑	↑	↑	2A501	16A501	9A501	9A501		4
4	4	6	B	H.M.	↓	↓	↓	↓	2A501	16A501	9A501	9A501		4
5	2	4	A	H.M.	↓	↓	↓	↓	2A501	16A501	9A501	9A501	20 MIN DOOR & FRAME	1
6	CHS	2	B	H.M.	3'-0"	7'-0"	1 3/4"	A	2A501	16A501	9A501	9A501	20 MIN DOOR & FRAME	2

1 ROOM FINISH SCHEDULE

- ☒ SCHEDULE ORIENTED SAME AS PLAN
- ☒ MATERIAL ON ALL SURFACES
- IF CIRCLE IS BLACKENED - SURFACE TO RECEIVE PAINTER'S FINISH
- INDICATES MATERIAL IN A GIVEN AREA
- ☒ MATERIAL ON EACH INDIVIDUAL SURFACE
- IF CIRCLE IS BLANK - SURFACE OR MATERIAL IS PREFINISHED OR NOT PAINTED

PAINT:

- ① GYP. BOARD CEILINGS: SHERWIN-WILLIAMS - SW7006 - EXTRA WHITE
- ② WALLS - FIELD: SHERWIN-WILLIAMS - SW7008 - ALABASTER
- ③ H.M. DOORS & FRAMES : SHERWIN-WILLIAMS - SW6992 - INKWELL
- ④ MISCELLANEOUS METALS: SHERWIN-WILLIAMS - SW6992 - INKWELL
- ⑤ NUMBER NOT USED

PREFINISHED COLORS:

- ⑥ CARPET TILES: INTERFACE AE315 / 105813 IRON / BERRY
- ⑦ RUBBER WALL BASE: ROPPE - BLACK
- ⑧ SOLID SURFACE (COUNTERTOPS) : CORIAN - DEEP CAVIAR
- ⑨ PLASTIC LAMINATE (FACING AND EDGING) : WILSONART - D315 - PLATINUM
- ⑩ VINYL "T" EDGING: - TO BE SELECTED FROM MFR'S STANDARD COLORS
- ⑪ MELAMINE: TO BE SELECTED FROM MFR'S STANDARD COLORS
- ⑫ CERAMIC TILE FLOORS & BASE: DAL TILE - SYNCHRONIC - GREY SY33 MATTE
- ⑫a SHOWER CERAMIC TILE WALL: DAL-TILE - UNITY AVORIO P400 POLISHED
- ⑬ METAL LOCKER: REPUBLIC - BLACK - TO BE SELECTED FROM MFR'S STANDARD COLORS
- ⑭ 2 X 2 ACOUSTICAL LAY - IN TILES - SQUARE EDGE : REFER SPECIFICATIONS
- ⑮ INTERIOR SIGNAGE: MOHAWK SIGN SYSTEMS - TO BE SELECTED BY ARCHITECT
- ⑯ MARKERBOARD: BEST-RITE- WHITE
- ⑰ TACKBOARD: BEST-RITE CHALKBOARD CO. -BR-015 - ANTIQUE WHITE

EXTERIOR COLORS:

- ⑱ PREFINISHED METAL ROOF PANELS: COLOR TO BE SELECTED FROM MFR. STANDARD COLORS
- ⑲ PREFINISHED METAL WALL PANELS / TRIM: COLOR TO BE SELECTED FROM MFR. STANDARD COLORS

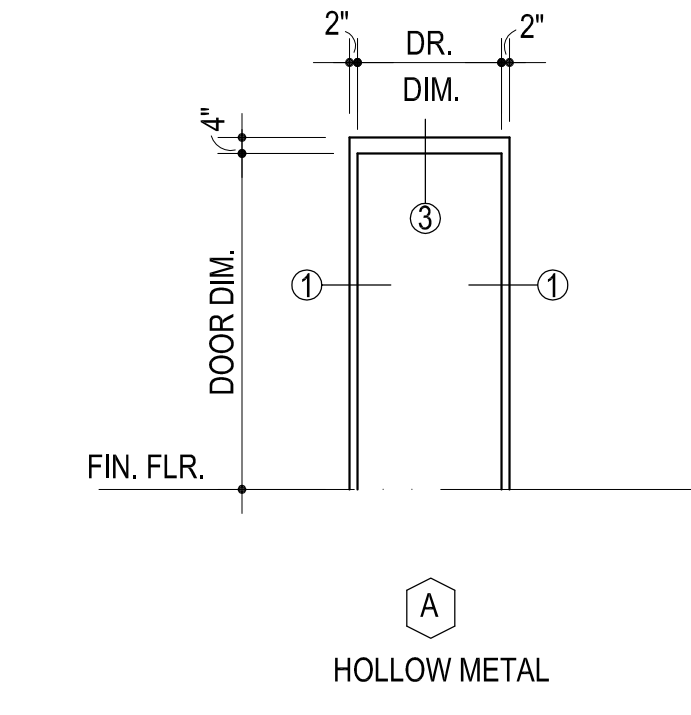
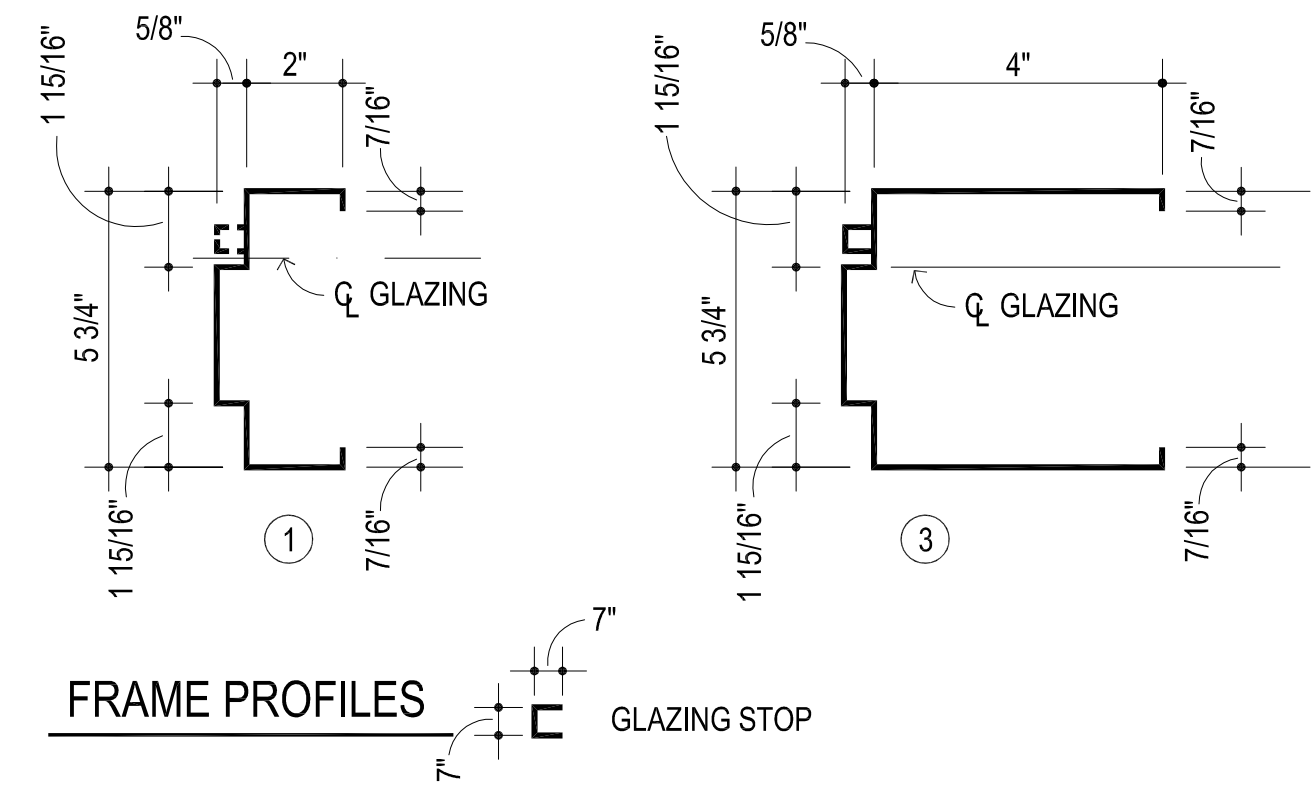
2 COLOR SCHEDULE

3 DOOR SCHEDULE

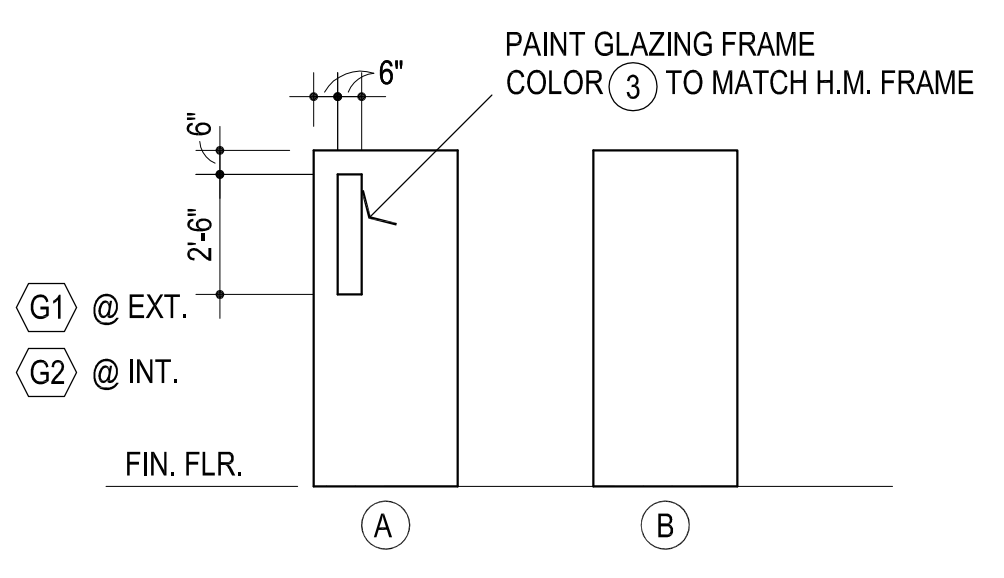
- G1 7/8" NOM. TEMPERED INSULATING GLASS
- G2 1/4" CLEAR TEMPERED GLASS

4 GLAZING SCHEDULE

5 FRAME PROFILES



6 FRAME ELEVATIONS



7 DOOR ELEVATIONS



CG	drawn by
MA	checked by
MAY 2023	date
	revisions

