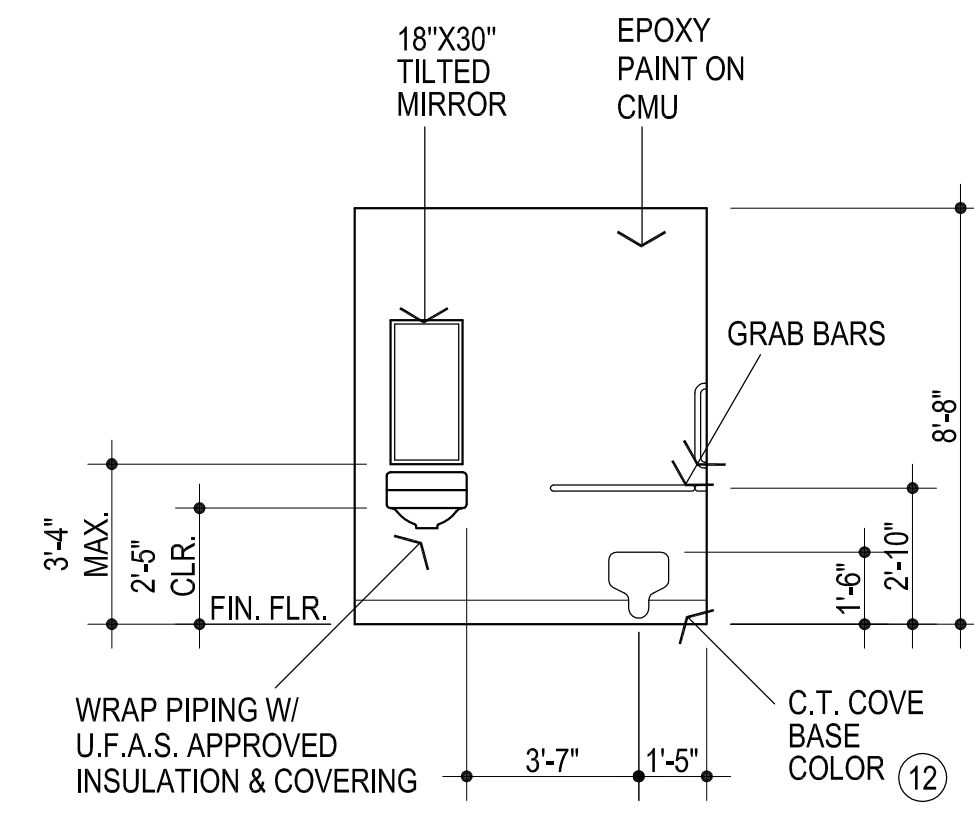
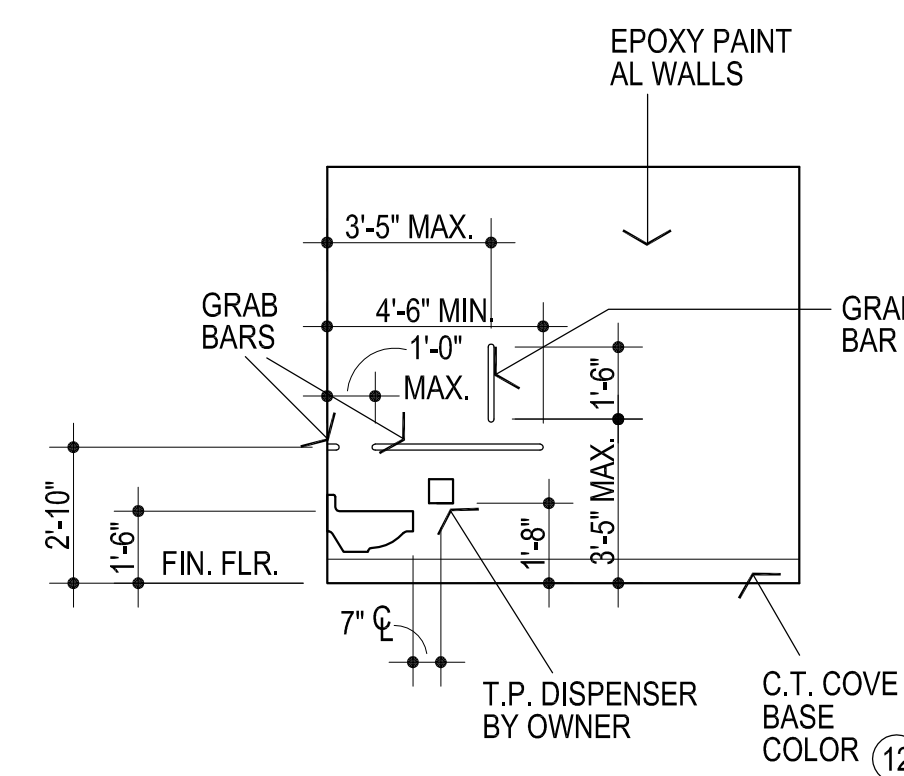


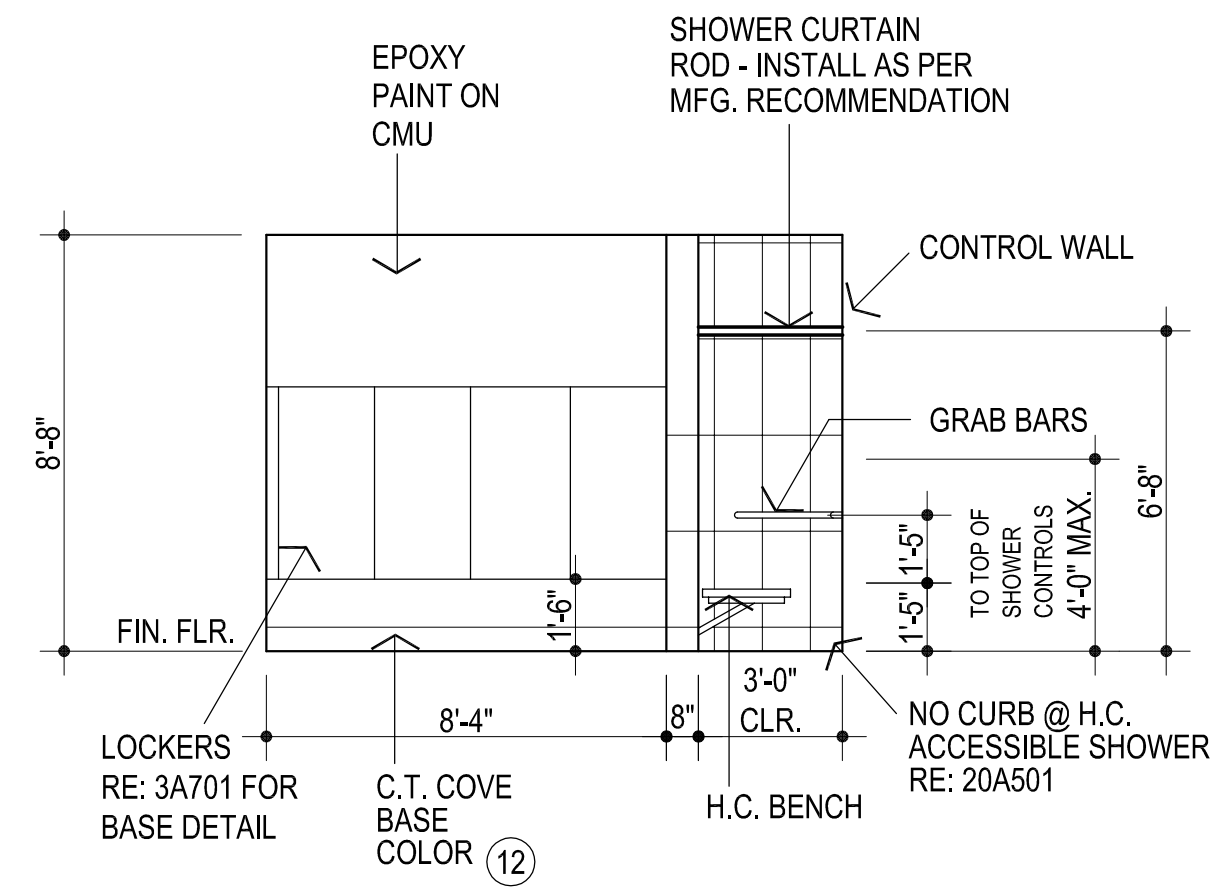
NOTE: CONTRACTOR TO VERIFY THAT THE MOUNTING HEIGHTS OF ALL WALL MOUNTED FIXTURES (I.E. PLUMBING FIXTURES, GRAB BARS, MIRRORS, ETC.) MEET ALL APPLICABLE CODES & STANDARDS PRIOR TO INSTALLATION.



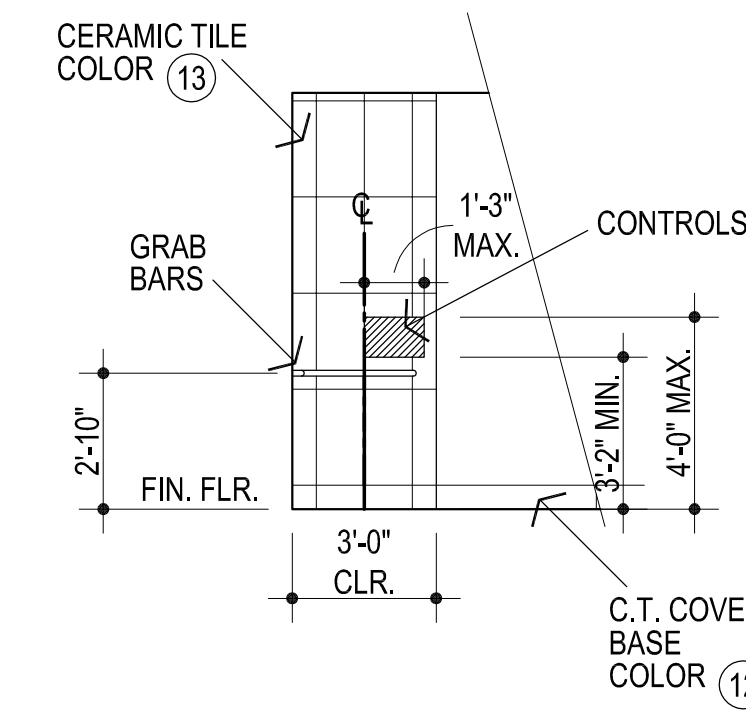
1 TYPICAL TOILET
1/4" = 1'-0"



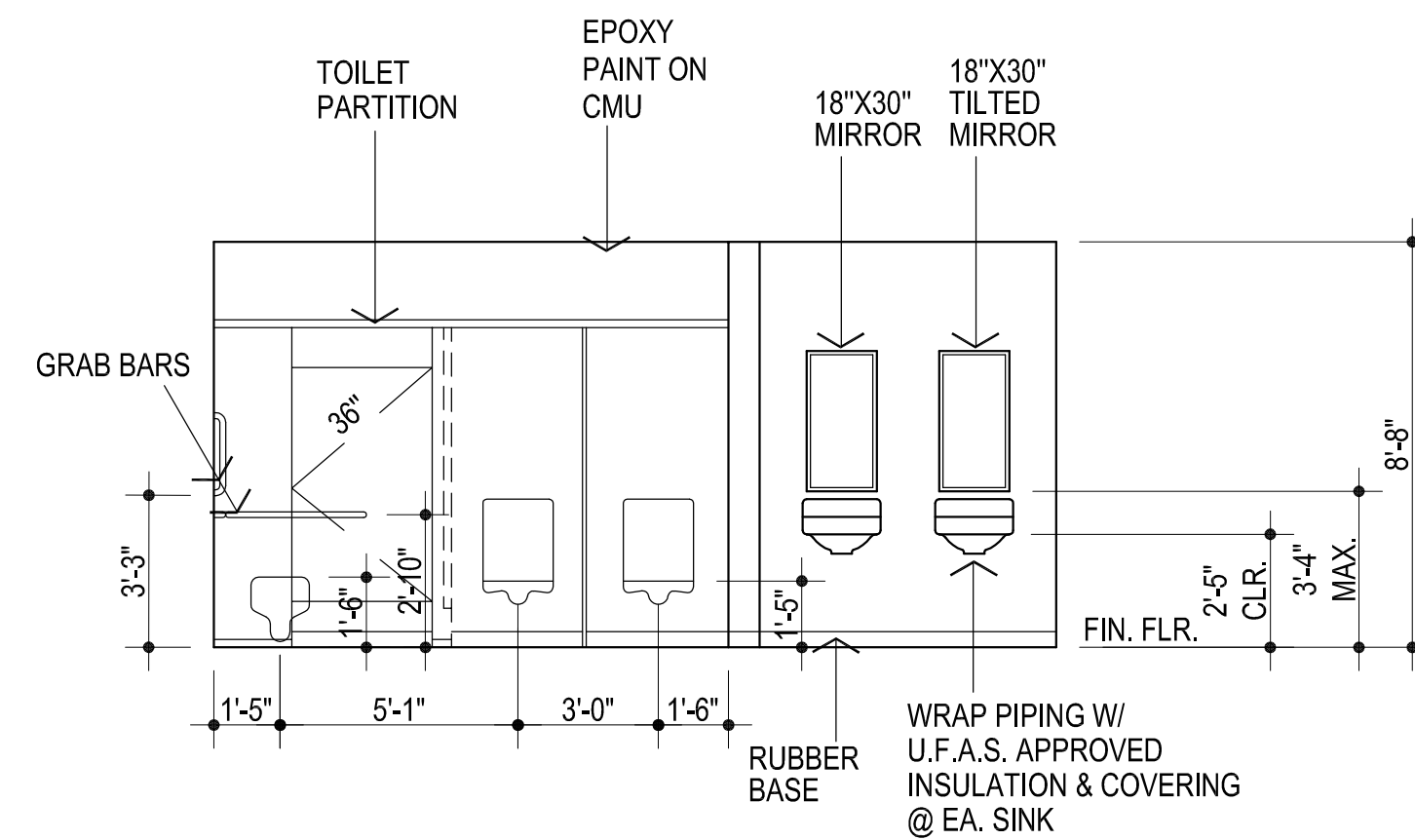
2 HANDICAP ACCESSIBLE W.C.
1/4" = 1'-0"



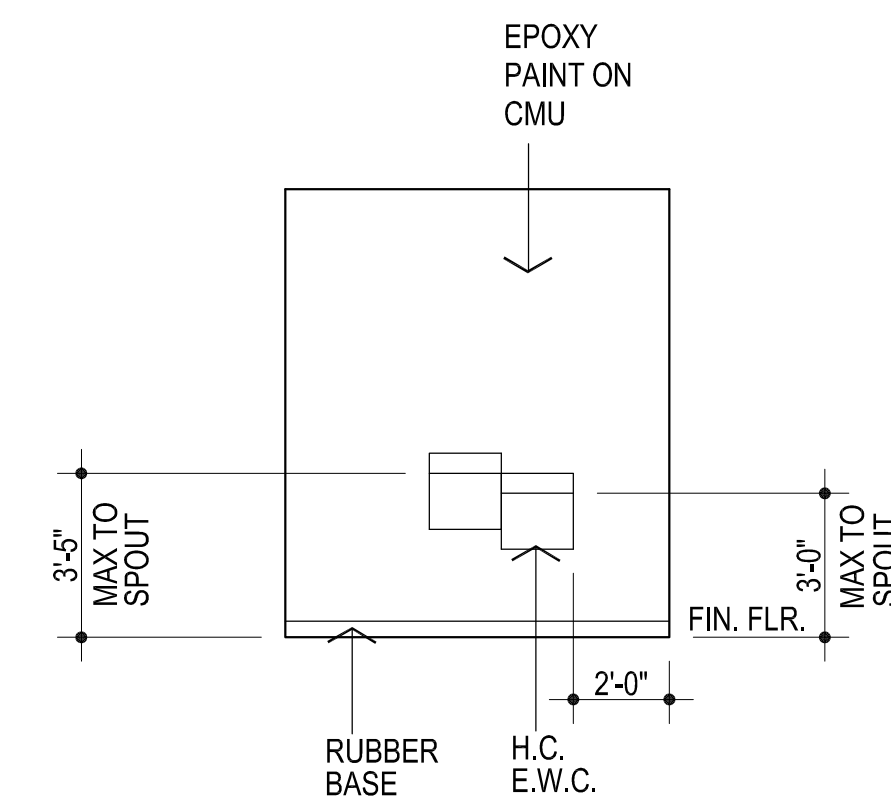
3 TYP. SHOWER ROOM
1/4" = 1'-0"



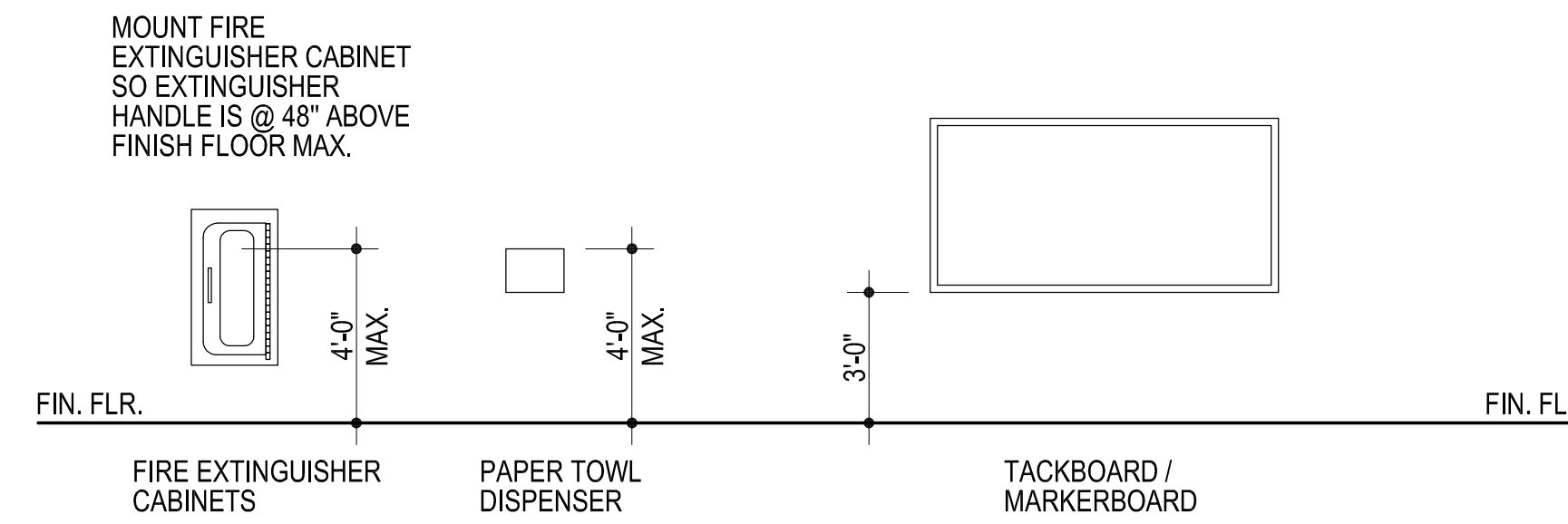
4 TYPICAL H.C. SHOWER CONTROL WALL
1/4" = 1'-0"



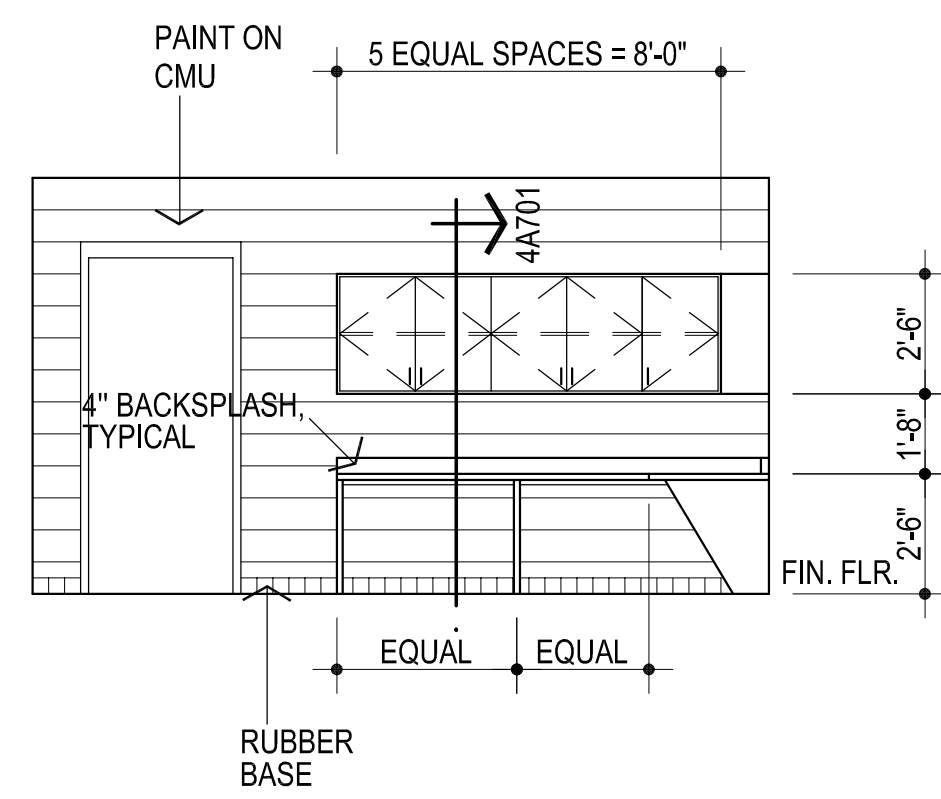
5 N. WALL ROOM #7
1/4" = 1'-0"



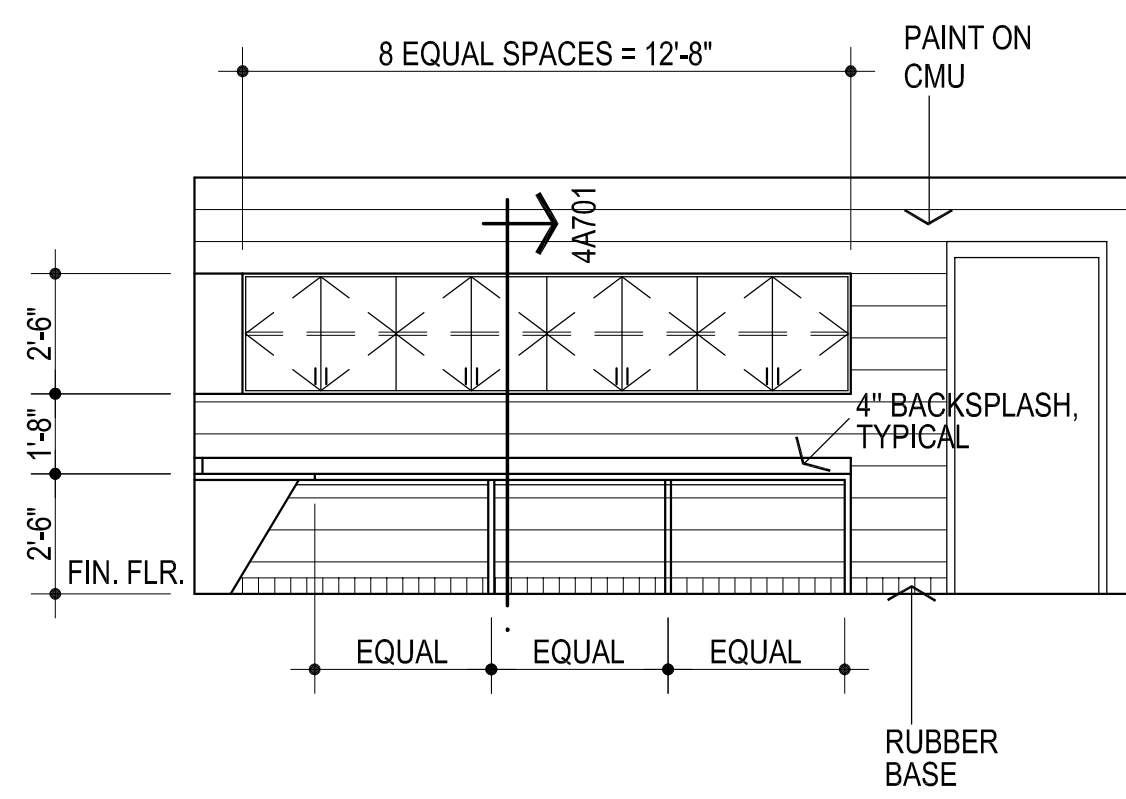
6 W. WALL ROOM #2
1/4" = 1'-0"



7 TYPICAL MOUNTING HEIGHTS
1/4" = 1'-0"



8 N. WALL ROOM #4
1/4" = 1'-0"



9 N. WALL ROOM #9
1/4" = 1'-0"



CG
drawn by
MA
checked by
MAY 2023
date
revisions