



CG	drawn by
MA	checked by
MAY 2023	date
	revisions

MOORE PUBLIC SCHOOLS
BOARD OF EDUCATION
MOORE, OKLAHOMA



LOCKER ROOM
ADDITION
MOORE WEST
JUNIOR HIGH SCHOOL

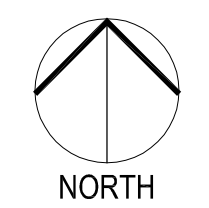
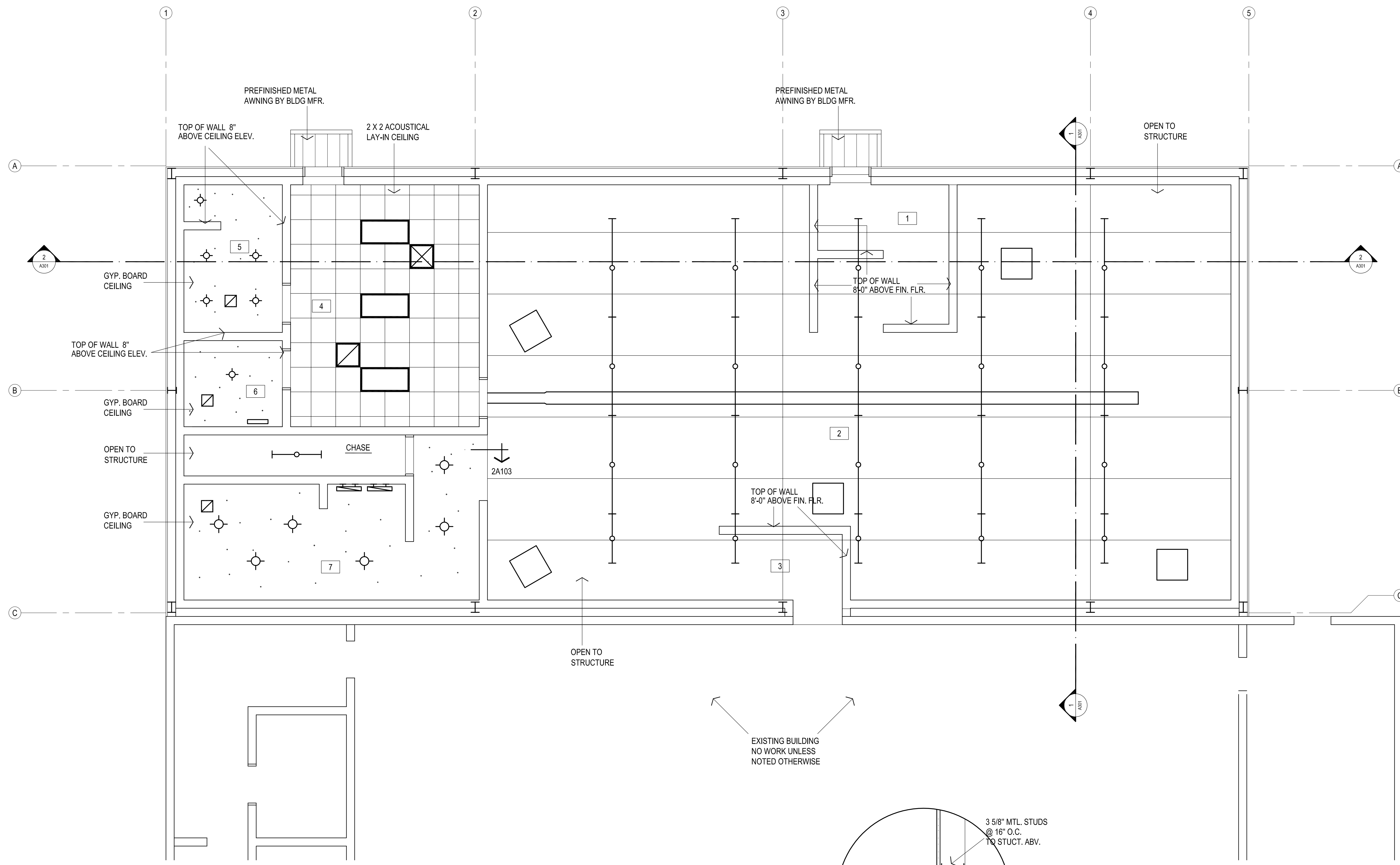
sheet no:

A103

REFLECTED CEILING PLAN

OWNERSHIP USE OF DOCUMENTS:

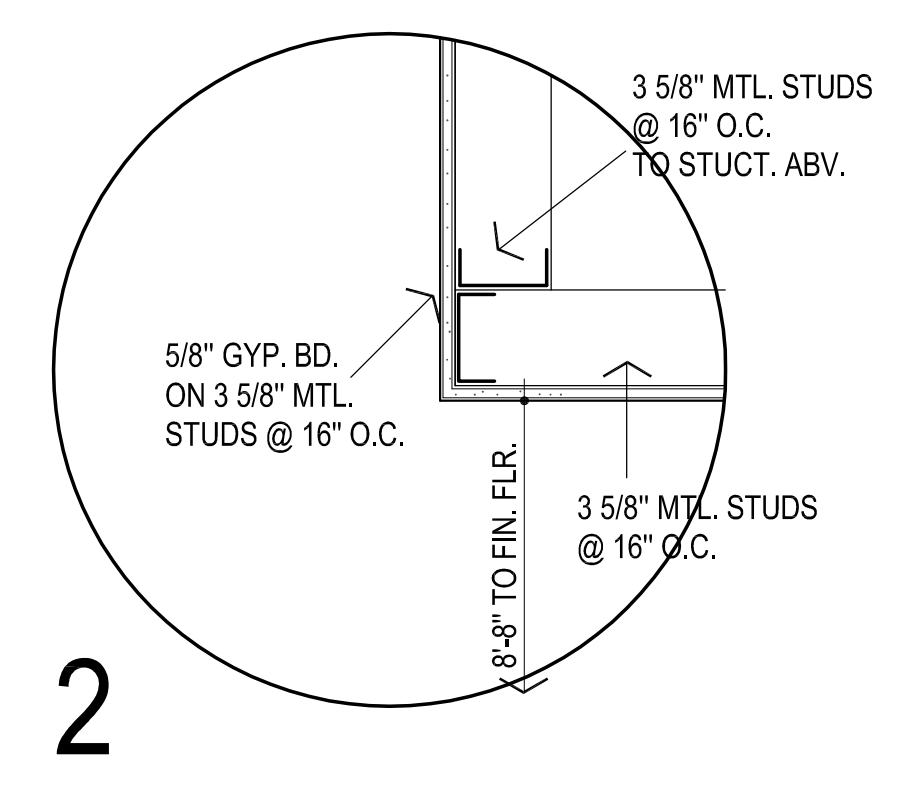
AGP EXPRESSLY RESERVES ITS
COPYRIGHT AND OTHER PROPERTY
RIGHTS OF ALL PLANS AND DRAWINGS
DESIGNED AND/OR PRODUCED. PLANS
AND DRAWINGS ARE NOT TO BE
REPRODUCED IN ANY FORM OR MANNER
WITHOUT THE EXPRESSED WRITTEN
CONSENT OF AGP.



1 REFLECTED CEILING PLAN
1/4" = 1'-0"

- LEGEND:**
- MECHANICAL OPENINGS
 - ELECTRICAL FIXTURES
 - CEILING MOUNTED SMOKE DETECTOR, RE: ELEC

- NOTES:**
1. REFER MECHANICAL & ELECTRICAL FOR ANY ADDITIONAL CEILING MOUNTED FIXTURES
 2. REFER TO SHEET A100 FOR LOCATIONS OF FIRE-RATED WALLS
 3. T.O.W. - TOP OF WALL:
ALL OTHER WALL TO CLOSEOUT TO STRUCTURE / DECK ABOVE



2