



CG
drawn by _____
MA
checked by _____
MARCH 2022
date _____
revisions _____

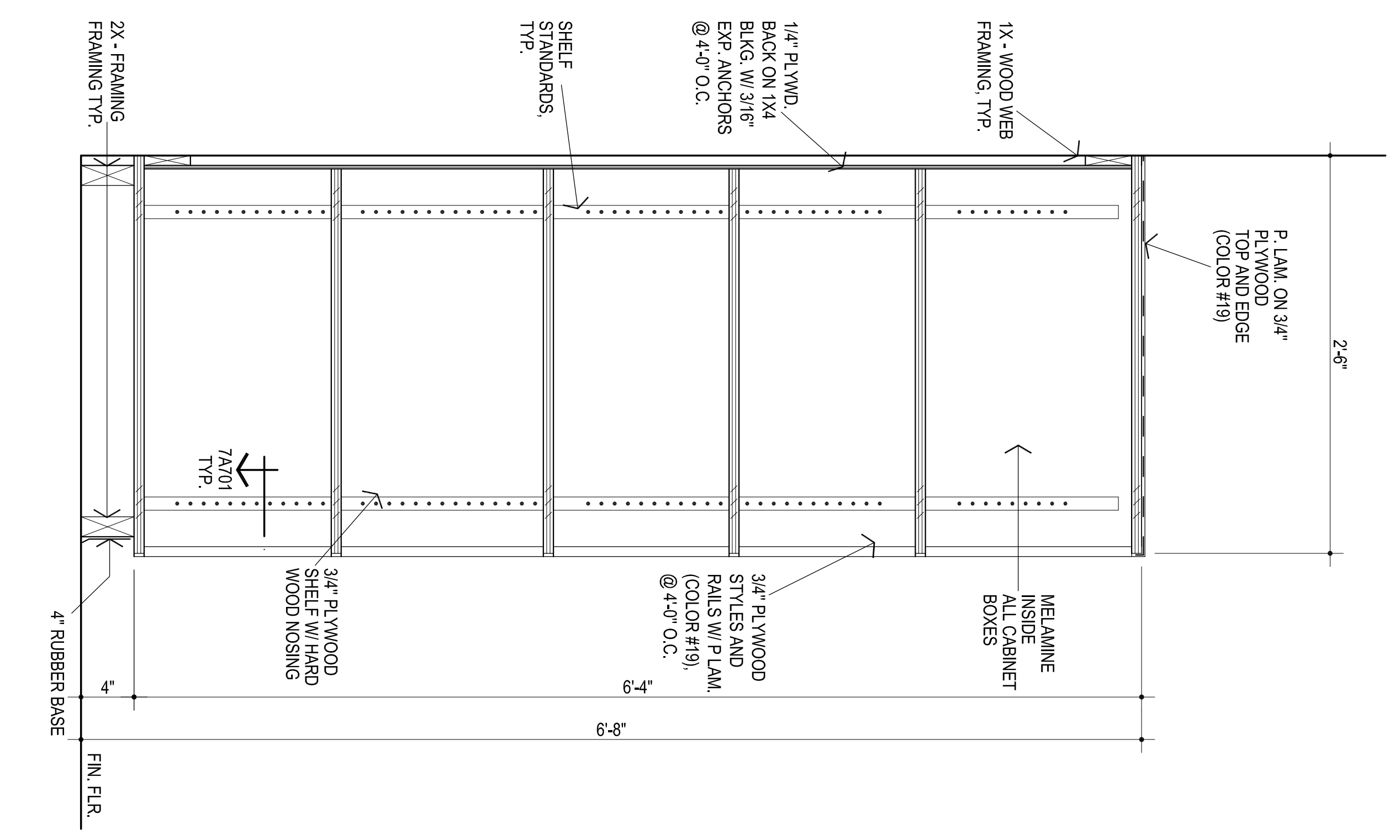
MOORE PUBLIC SCHOOLS
BOARD OF EDUCATION
MOORE, OKLAHOMA



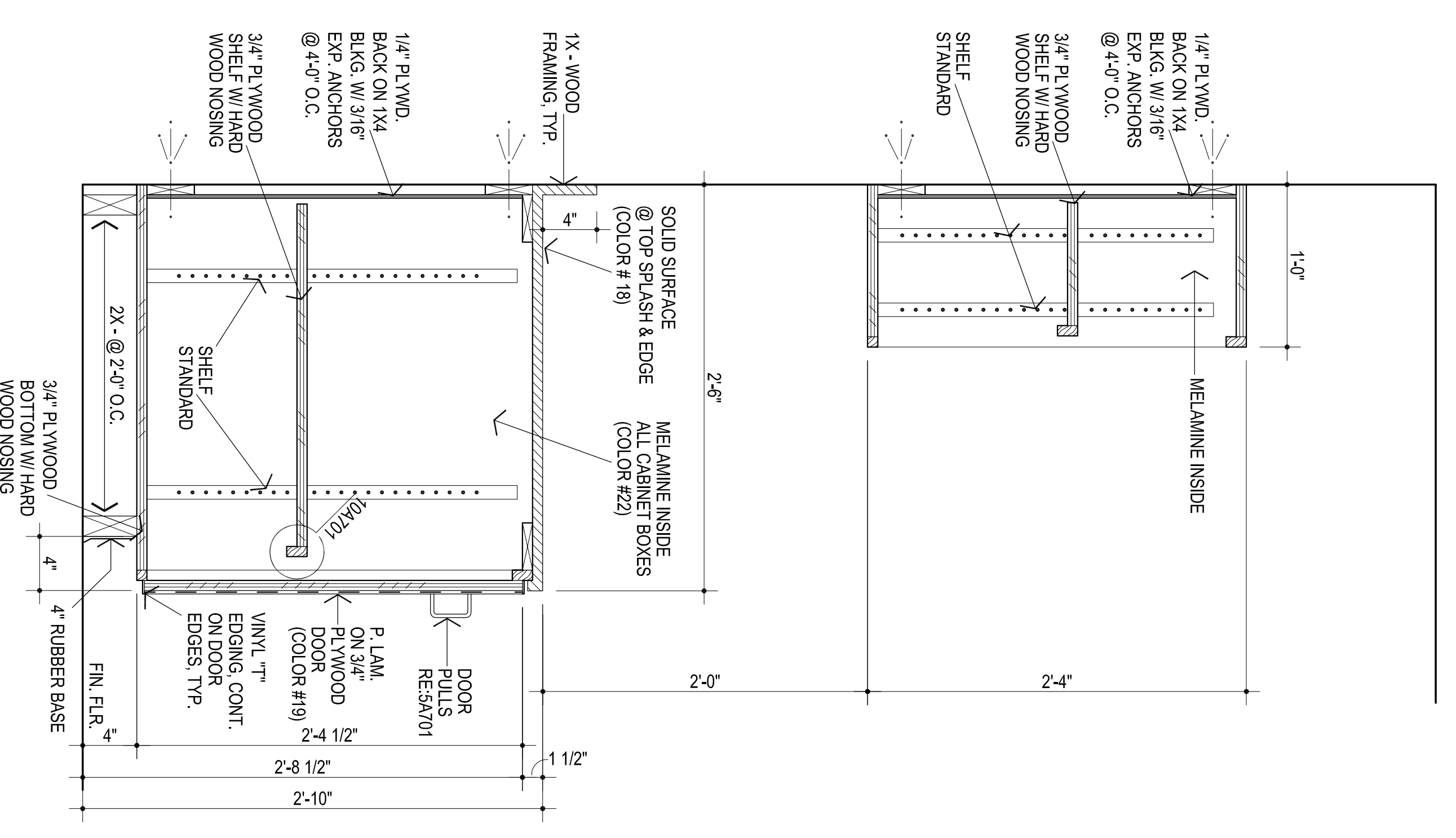
CLASSROOM ADDITION
MOORE WEST
JUNIOR HIGH SCHOOL

SHEET NO.
A702

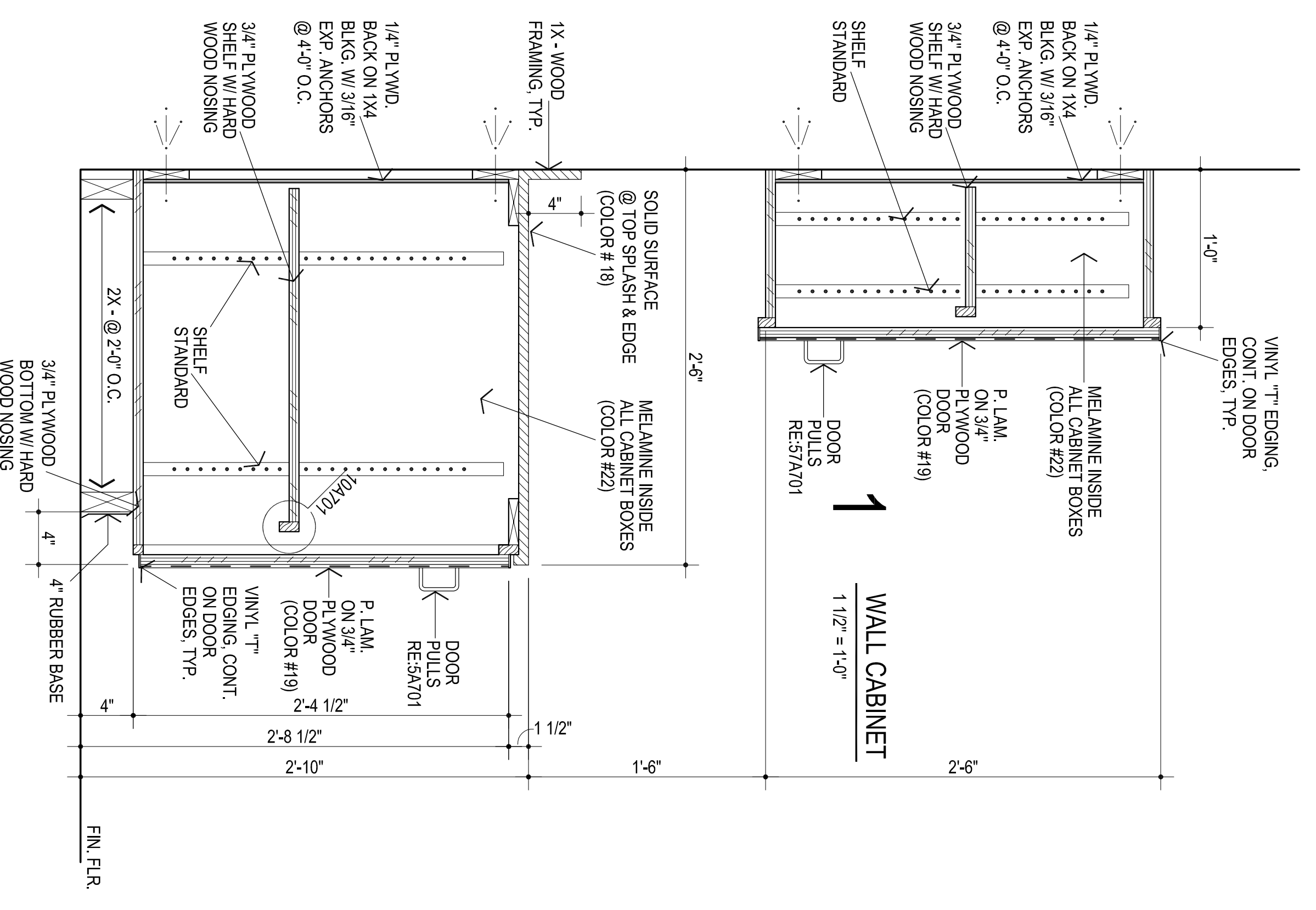
OWNERSHIP USE OF DOCUMENTS:
AGP EXPRESSLY RESERVES ITS
COPYRIGHT AND OTHER PROPERTY
RIGHTS OF ALL PLANS AND DRAWINGS
DESIGNED AND/OR PRODUCED. PLANS
AND DRAWINGS ARE NOT TO BE
REPRODUCED IN ANY FORM OR MANNER
WITHOUT THE EXPRESS WRITTEN
CONSENT OF AGP.



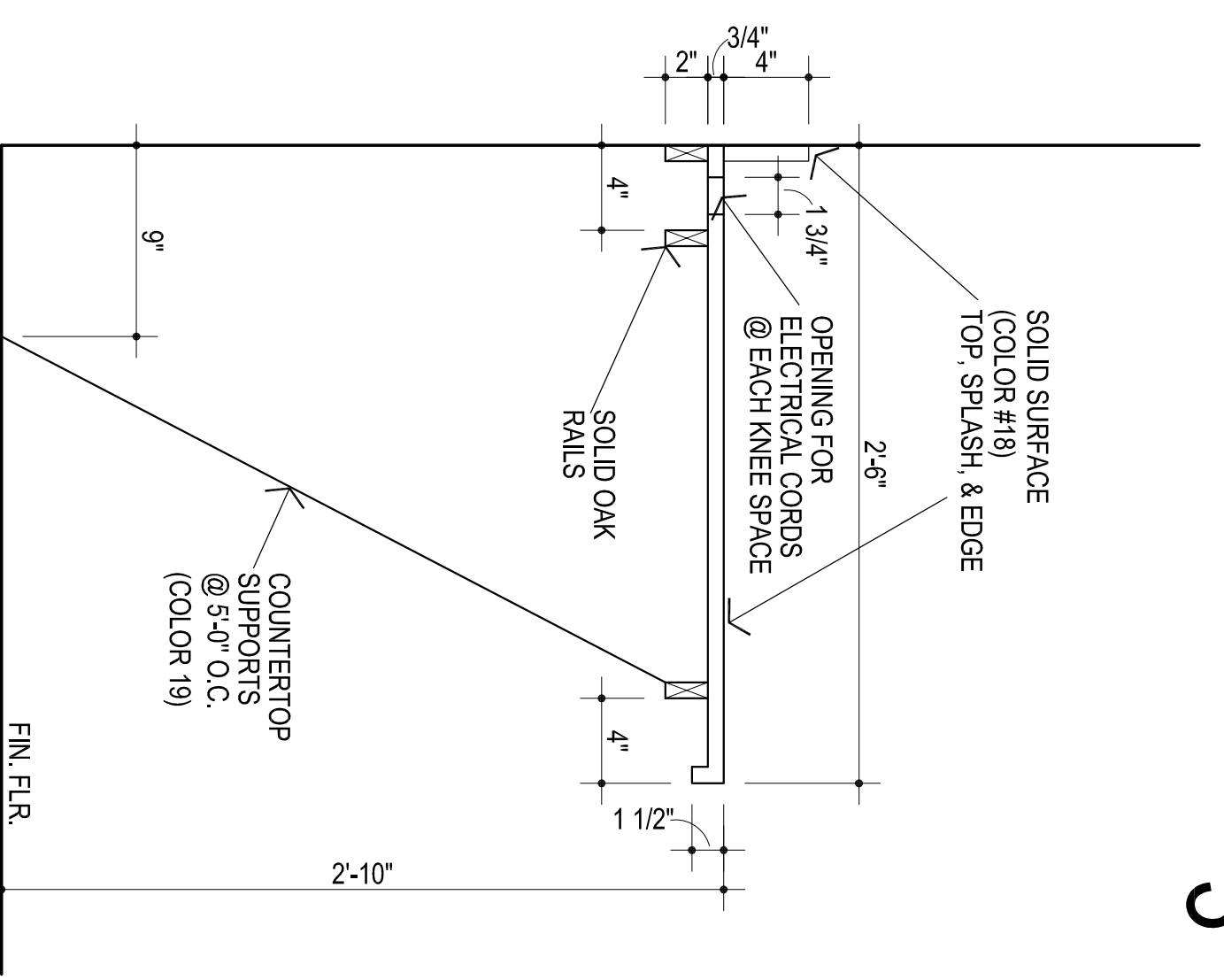
4 SHELVING
1 1/2" = 1'-0"



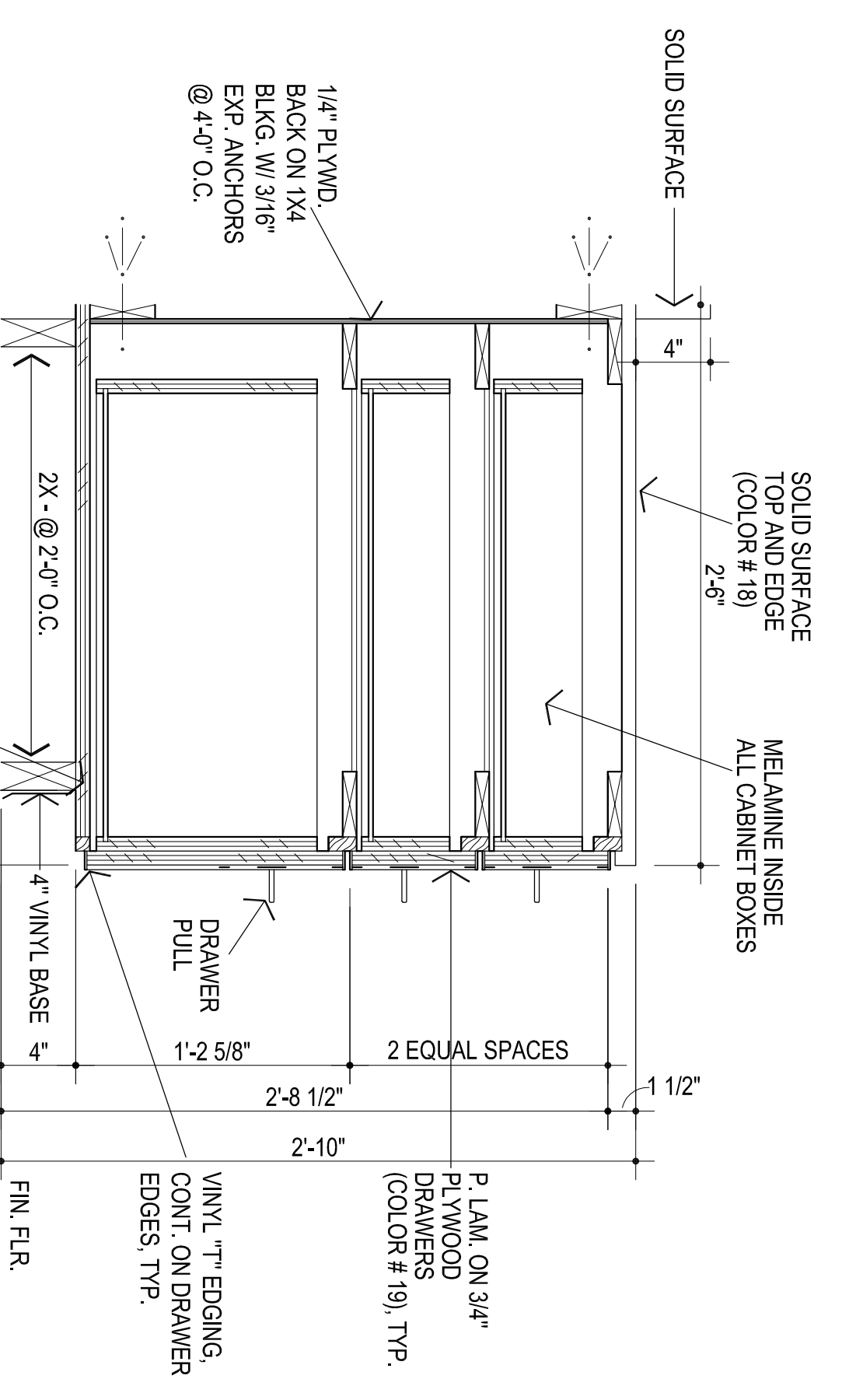
3 BASE & OPEN WALL CABINET
1 1/2" = 1'-0"



2 BASE CABINET
1 1/2" = 1'-0"



5 BASE CABINET W/ KNEE SPACE
1 1/2" = 1'-0"



6 BASE CABINET W/ DRAWERS
1 1/2" = 1'-0"

FRAMELESS
CABINET / EUROPEAN
CONSTRUCTION IS
ACCEPTABLE