

WDR ENGINEERING

CIVIL

KFC ENGINEERING

STRUCTURAL

SALAS OBRIEN

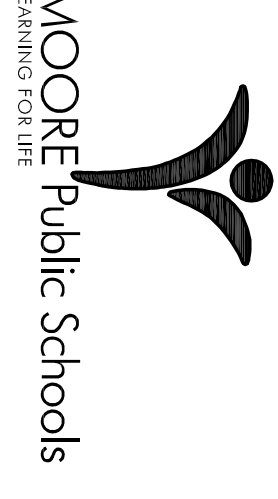
MECHANICAL/ELECTRICAL



4/25/22

CS \_\_\_\_\_  
drawn by \_\_\_\_\_  
MA \_\_\_\_\_  
checked by \_\_\_\_\_  
MARCH 2022 \_\_\_\_\_  
date \_\_\_\_\_  
revisions \_\_\_\_\_

MOORE PUBLIC SCHOOLS  
BOARD OF EDUCATION  
MOORE, OKLAHOMA



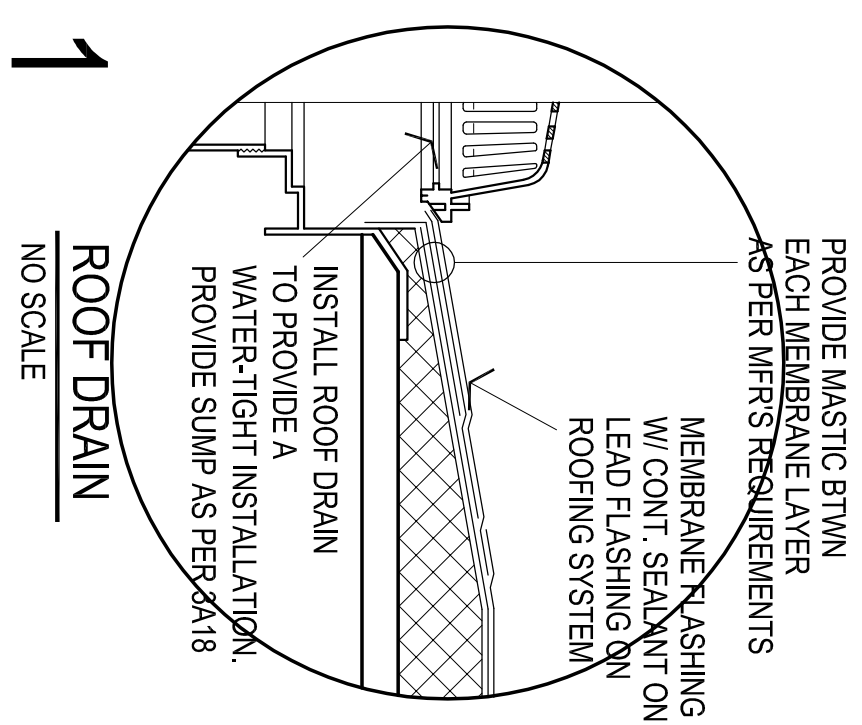
CLASSROOM ADDITION  
MOORE WEST  
JUNIOR HIGH SCHOOL

Sheet No.

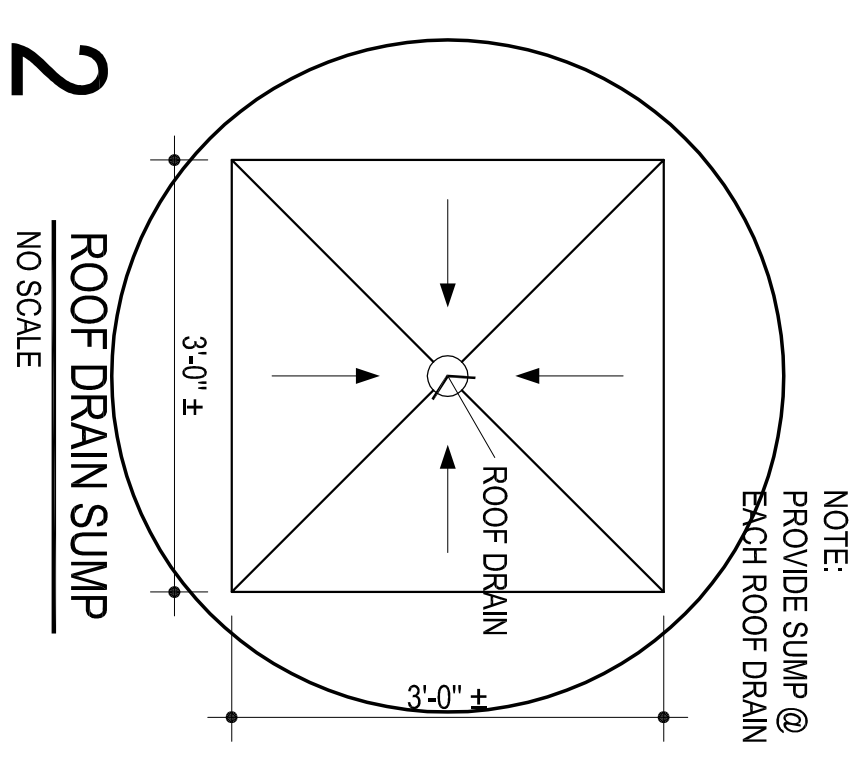
# A106a

OWNERSHIP USE OF DOCUMENTS:

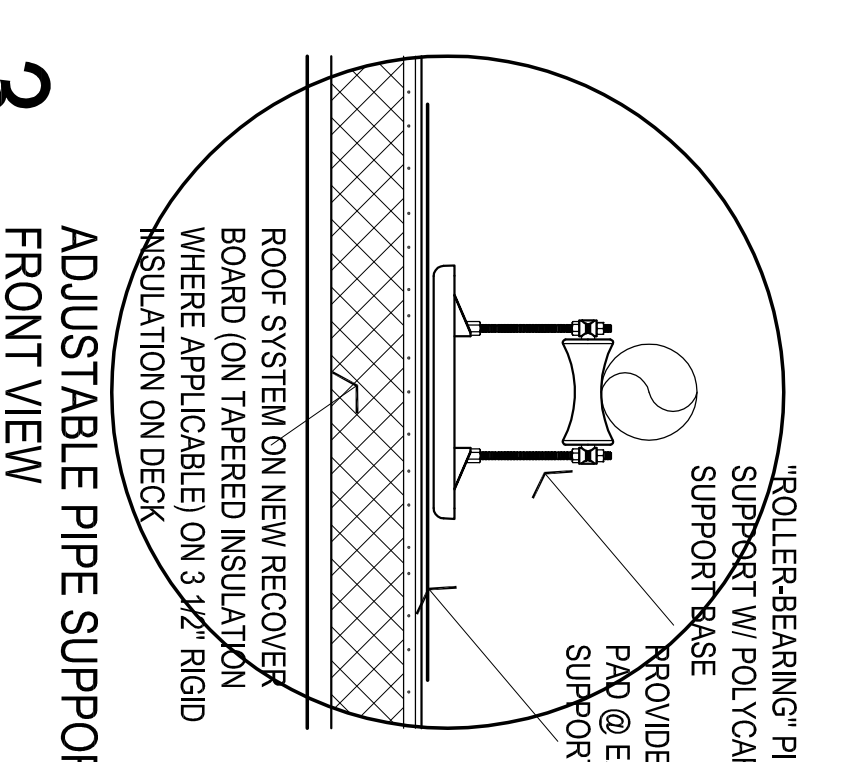
AGP EXPRESSLY RESERVES ITS  
COPYRIGHT AND OTHER PROPERTY  
RIGHTS OF ALL PLANS AND DRAWINGS  
DESIGNED AND/OR PRODUCED HEREON.  
NO PARTS OF THIS DOCUMENT SHALL  
BE REPRODUCED IN ANY FORM OR MANNER  
WITHOUT THE EXPRESSED WRITTEN  
CONSENT OF AGP.



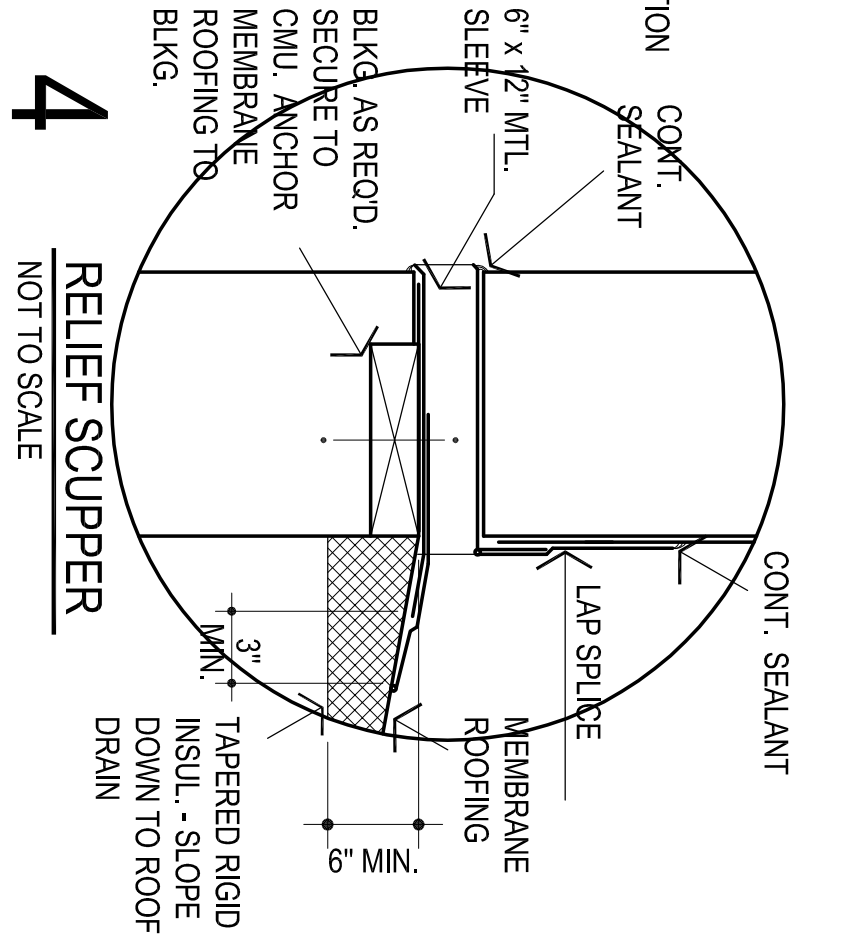
**1**  
**ROOF DRAIN**  
NO SCALE



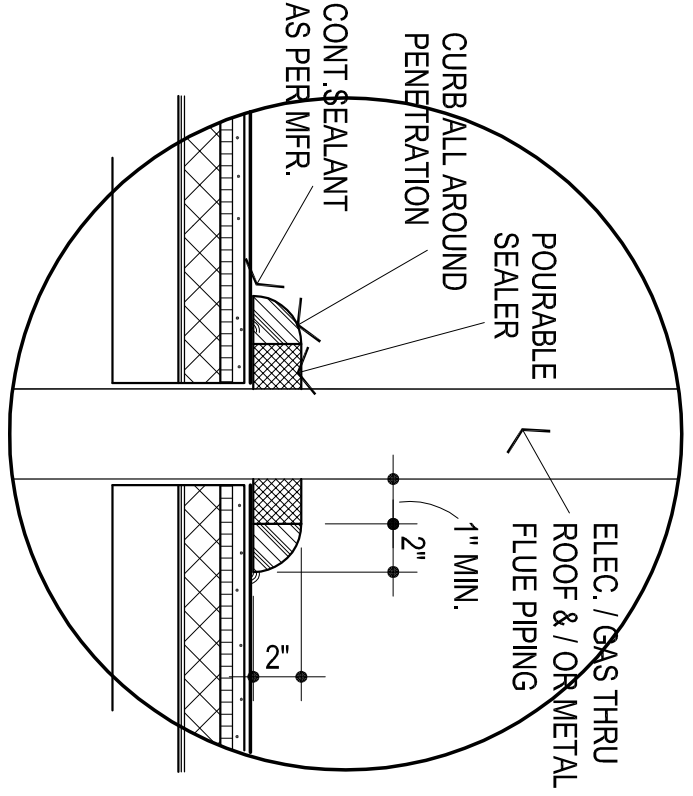
**2**  
**ROOF DRAIN SUMP**  
NO SCALE



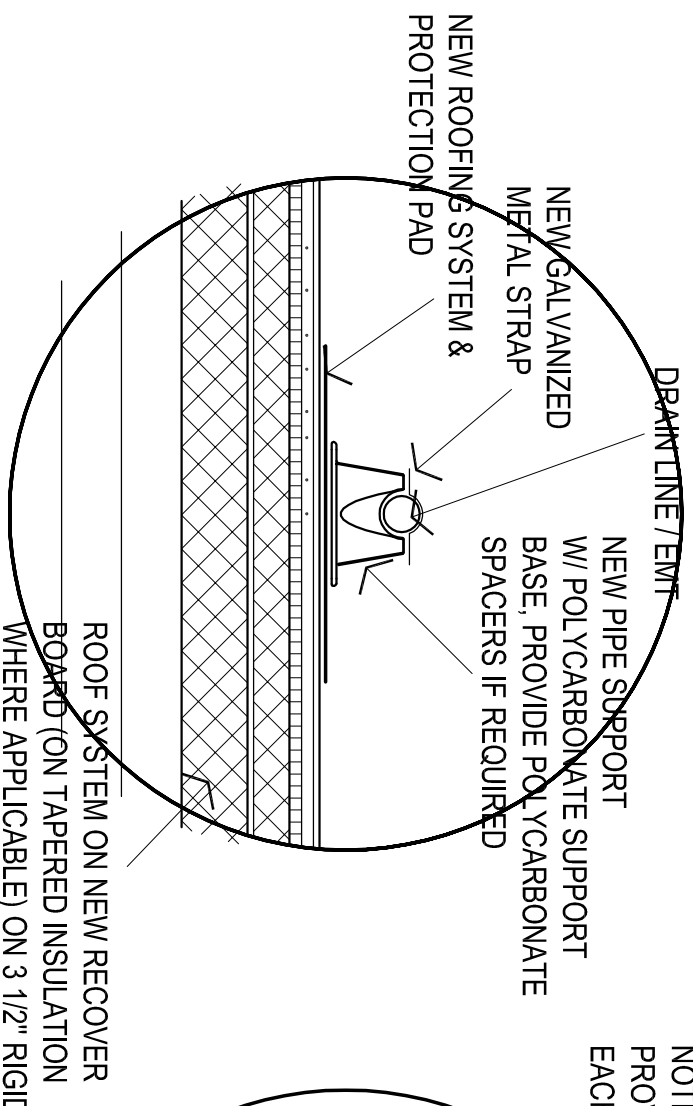
**3**  
**ADJUSTABLE PIPE SUPPORTS - FRONT VIEW**  
NO SCALE



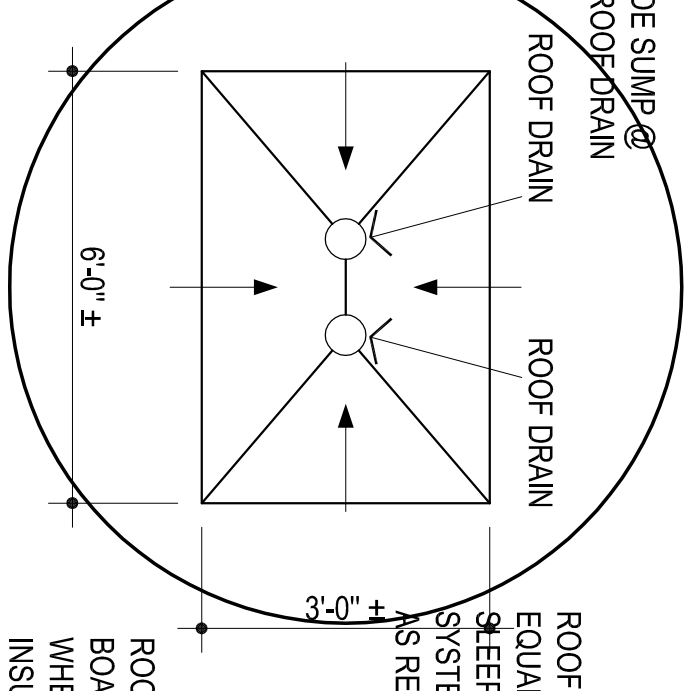
**4**  
**RELIEF SCUPPER**  
NOT TO SCALE



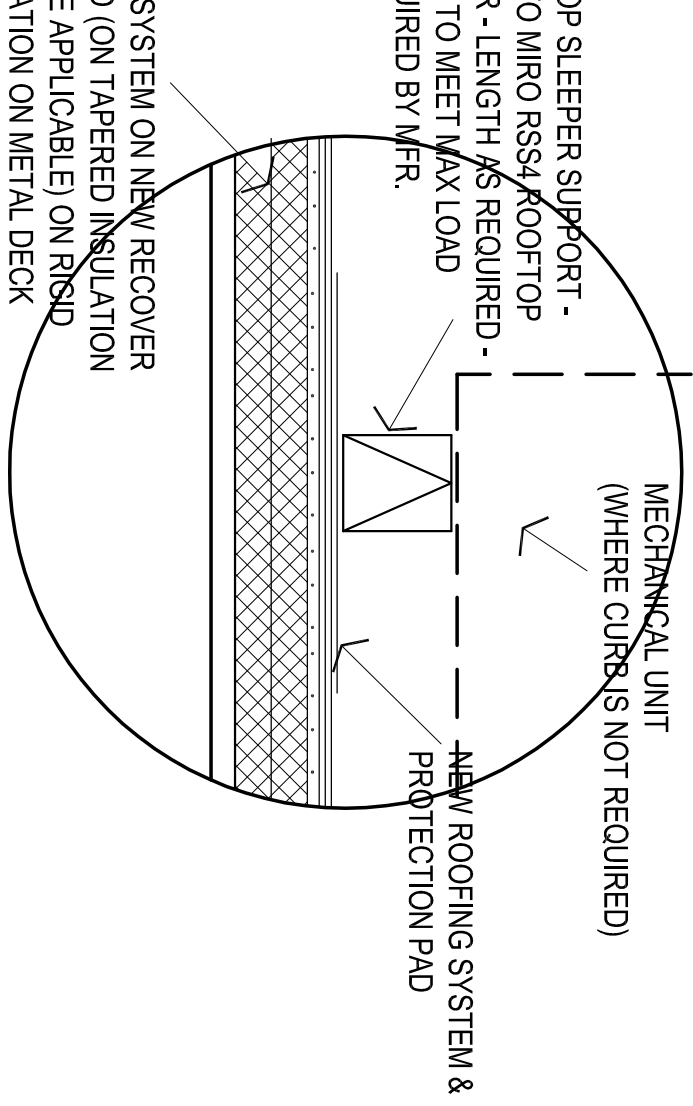
**5**  
**PENETRATION DAM / SEALER POCKET @ MAJOR PENETRATIONS**  
NO SCALE



**6**  
**DETAIL @ PVC / EMT SUPPORT**  
NO SCALE



**7**  
**ROOF DRAIN SUMP @ OVERTFLOW ROOF DRAIN**  
NO SCALE



**8**  
**MECH. UNIT SUPPORT**  
NO SCALE