



3/14/24

CG  
designed by  
MA  
checked by  
MARCUS 2024  
0818  
revisions

MOORE PUBLIC SCHOOLS  
BOARD OF EDUCATION  
MOORE, OKLAHOMA

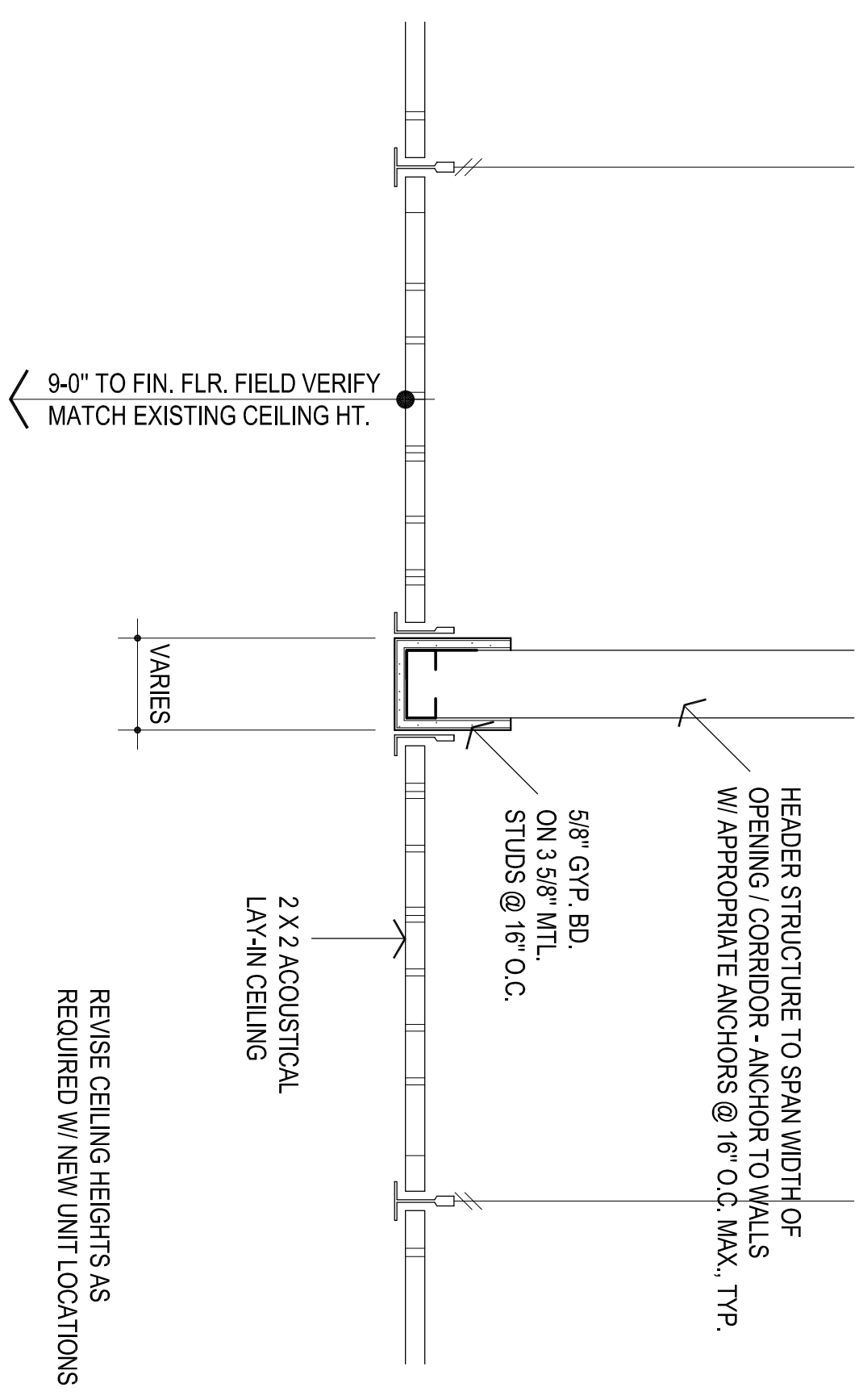
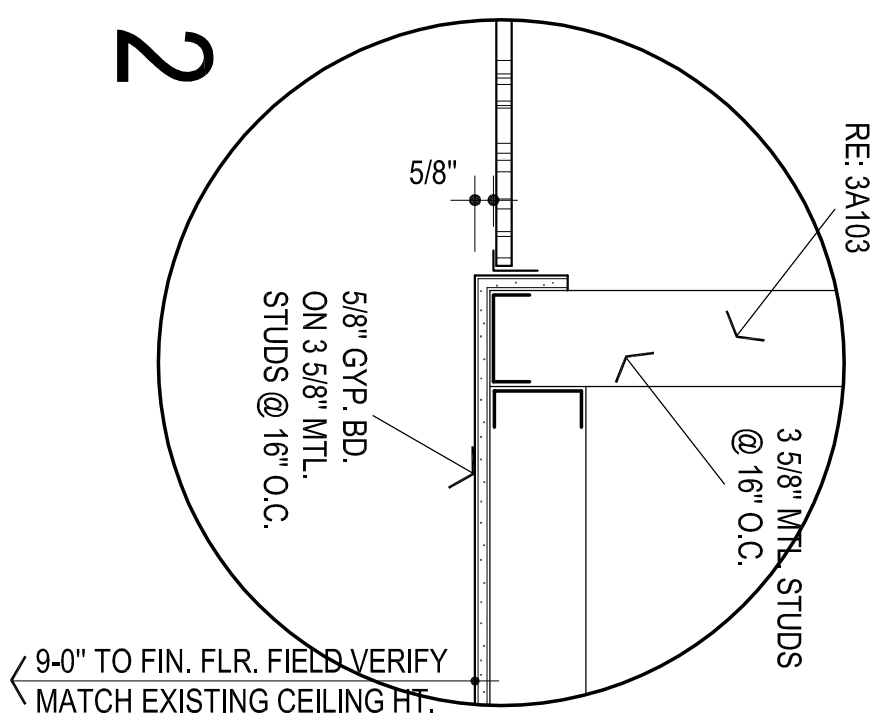
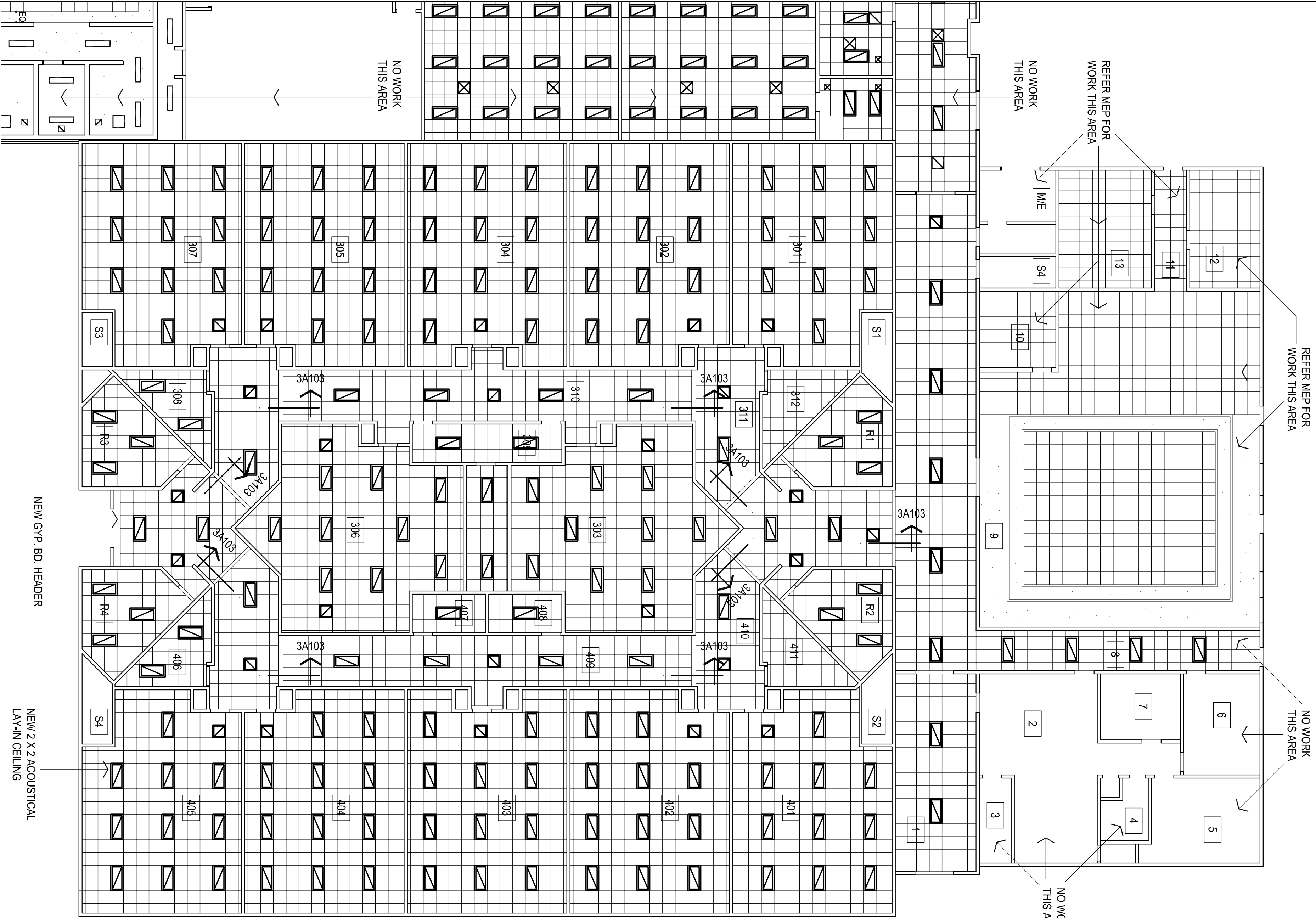
MOORE Public Schools  
LEARNING FOR LIFE

HVAC REPLACEMENT  
KINGSGATE  
ELEMENTARY SCHOOL

Sheet No:

## A103

OWNERSHIP USE OF DOCUMENTS:  
AGP EXPRESSLY RESERVES ITS  
COPYRIGHT AND OTHER PROPERTY  
RIGHTS OF ALL PLANS AND DRAWINGS  
DESIGNED AND/OR PRODUCED HEREON.  
REPRODUCTION IN ANY FORM OR MANNER  
WITHOUT THE EXPRESSED WRITTEN  
CONSENT OF AGP.



**3**  
GYP. BD. HEADER  
1 1/2" = 1'-0"

**LEGEND:**

- ☒ MECHANICAL OPENINGS
- ELECTRICAL FIXTURES
- Ⓢ CEILING MOUNTED SMOKE DETECTOR, RE. ELEC

**NOTES:**

1. REFER MECHANICAL & ELECTRICAL FOR ANY ADDITIONAL CEILING MOUNTED FIXTURES
2. REFER TO SHEET A100 FOR LOCATIONS OF FIRE-RATED WALLS
3. ALL CORRIDOR CEILING TILES TO HAVE REGULAR EDGE. ALL OTHER ROOMS (CLASSROOMS, ETC.) SHALL HAVE SQUARE EDGES.
4. REVISE EXISTING FIRE SUPPRESSION HEADS AS REQUIRED W/ NEW CEILING HEIGHTS - APPROX. 15' TOTAL

**REFLECTED CEILING PLAN**

3/32" = 1'-0"

