

3/14/24

CG
designed by
MA
checked by
MRCOJ 2024
0408
revisions

MOORE PUBLIC SCHOOLS
BOARD OF EDUCATION
MOORE, OKLAHOMA

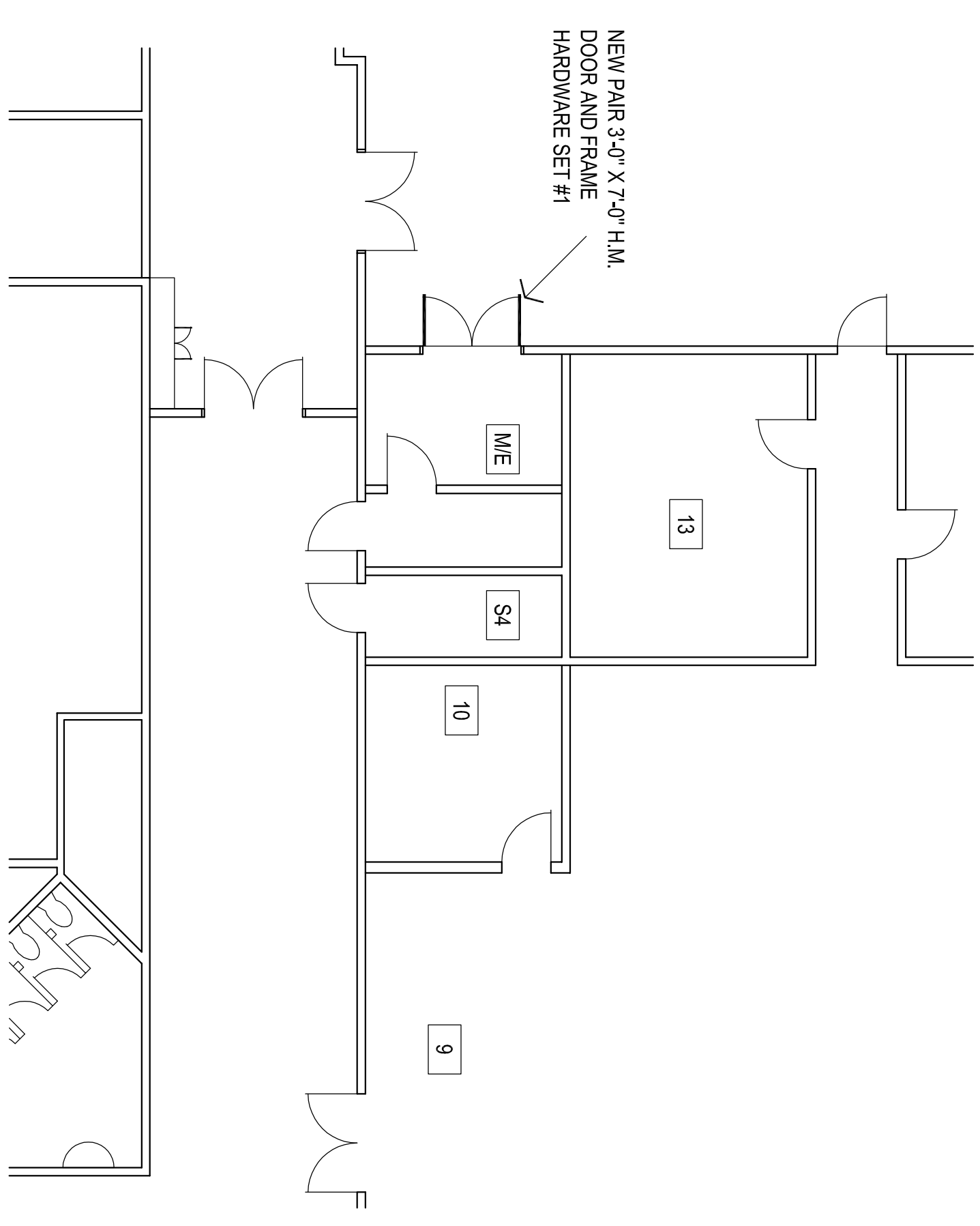
MOORE Public Schools
LEARNING FOR LIFE

HVAC REPLACEMENT
KINGSGATE
ELEMENTARY SCHOOL

Sheet No.

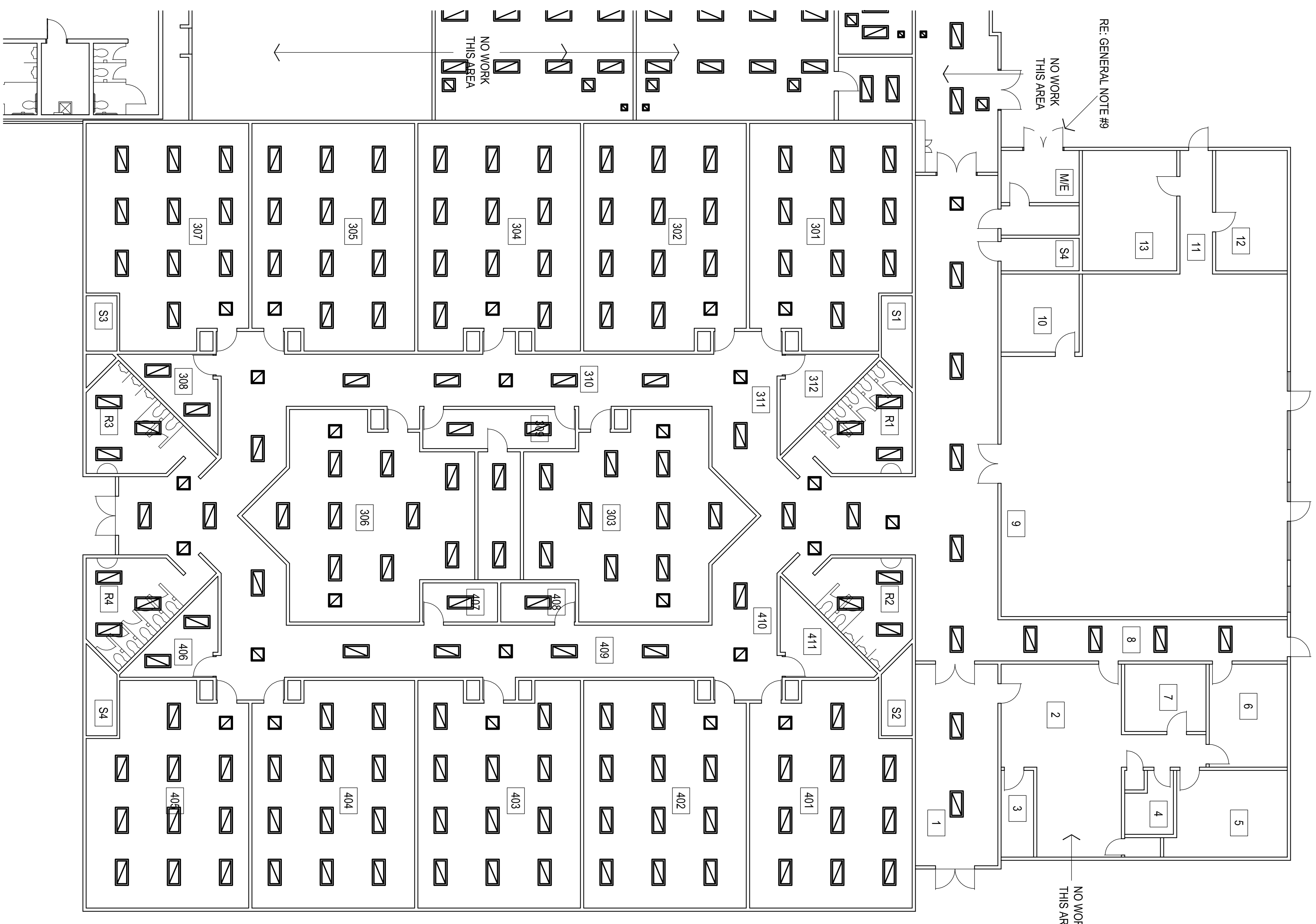
A102

OWNERSHIP USE OF DOCUMENTS:
AGP EXPRESSLY RESERVES ITS
COPYRIGHT AND OTHER PROPERTY
RIGHTS OF ALL PLANS AND DRAWINGS
DESIGNED AND/OR PRODUCED BY
REPRODUCED IN ANY FORM OR MANNER
WITHOUT THE EXPRESSED WRITTEN
CONSENT OF AGP.



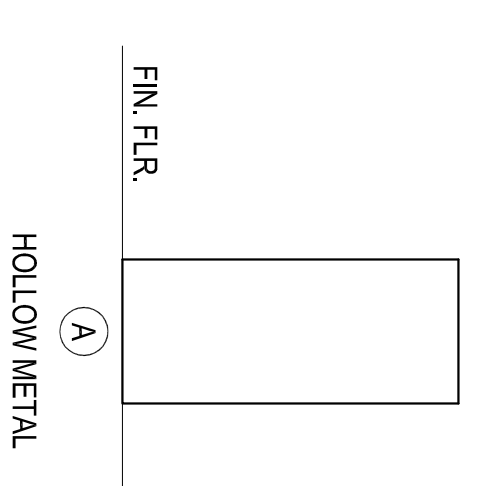
2 MECHANICAL ROOM PLAN
1/8" = 1'-0"

- GENERAL NOTES:**
- UNLESS NOTED OTHERWISE ALL ROOMS TO RECEIVE NEW 2x2 LAY-IN CEILING
 - @ WORK AREA - REINSTALL ALL EXISTING ELECTRICAL (EXCLUDING EXISTING LIGHT FIXTURES), SPEAKERS, FIRE PROTECTION, ETC. PROVIDE ALL MATERIALS NECESSARY FOR A COMPLETE INSTALLATION
 - REMOVE EXISTING LIGHT FIXTURES AS REQUIRED BY CODE. RE: ELECTRICAL FOR NEW LIGHT FIXTURE INFORMATION
 - REMOVE EXISTING MECHANICAL DEVICES AS REQUIRED BY CODE. RE: MECHANICAL FOR NEW DEVICES.
 - REFER PLUMBING AND MECHANICAL SHEETS FOR ROOF PENETRATION LOCATIONS. PROVIDE ALL ROOFING MATERIALS REQUIRED TO MEET MFR. REQUIREMENTS FOR WARRANTY. PROVIDE WATER TIGHT INSTALLATION. CONTRACTOR TO MOVE FURNITURE AS NECESSARY FOR INTERIOR HVAC AND CEILING WORK.
 - PROTECT EXISTING SMARTBOARDS AS DIRECTED BY WPS PERSONNEL. REPLACE ALL DAMAGED DEVICES.
 - CONTRACTOR SHALL THOROUGHLY CLEAN EXISTING AFFECTED AREAS AFTER COMPLETION OF WORK.
 - REMOVE EXISTING H.M. DOOR AND FRAME AND PREPARE OPENING TO RECEIVE NEW H.M. DOOR AND FRAME

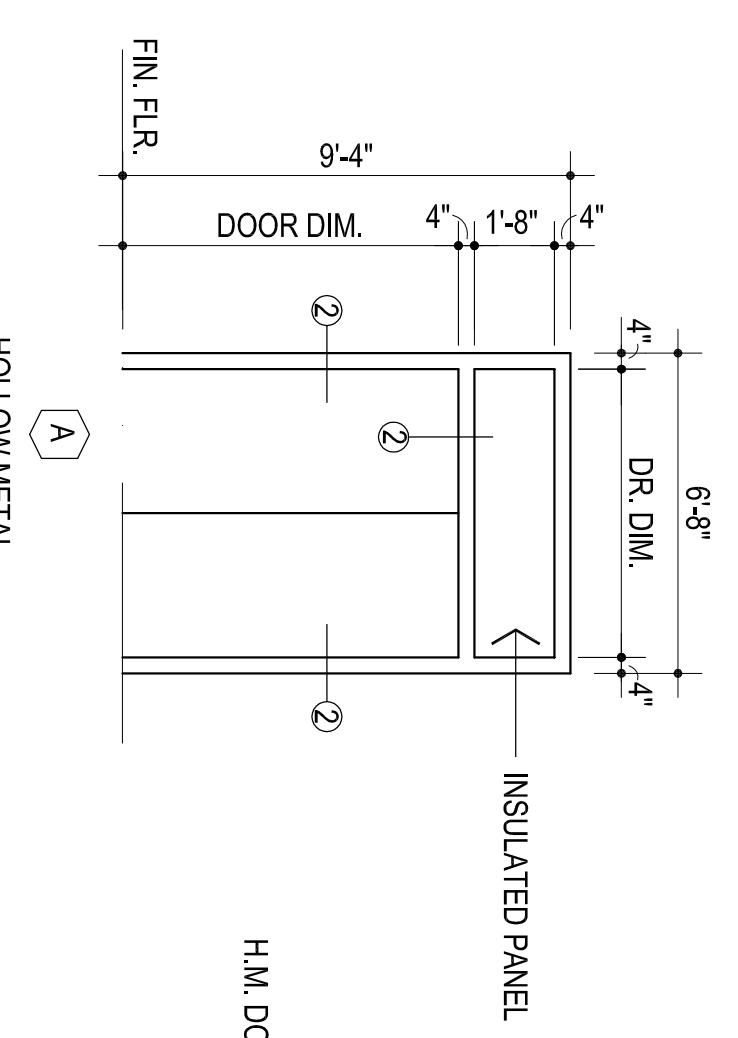


1 DEMOLITION PLAN
1/8" = 1'-0"

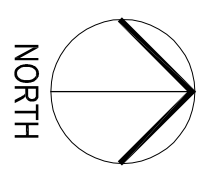
3 DOOR ELEVATION



4 DOOR FRAME ELEVATIONS



H.M. DOORS & FRAMES : SHERWIN-WILLIAMS - SW6992 - INKWELL



NORTH