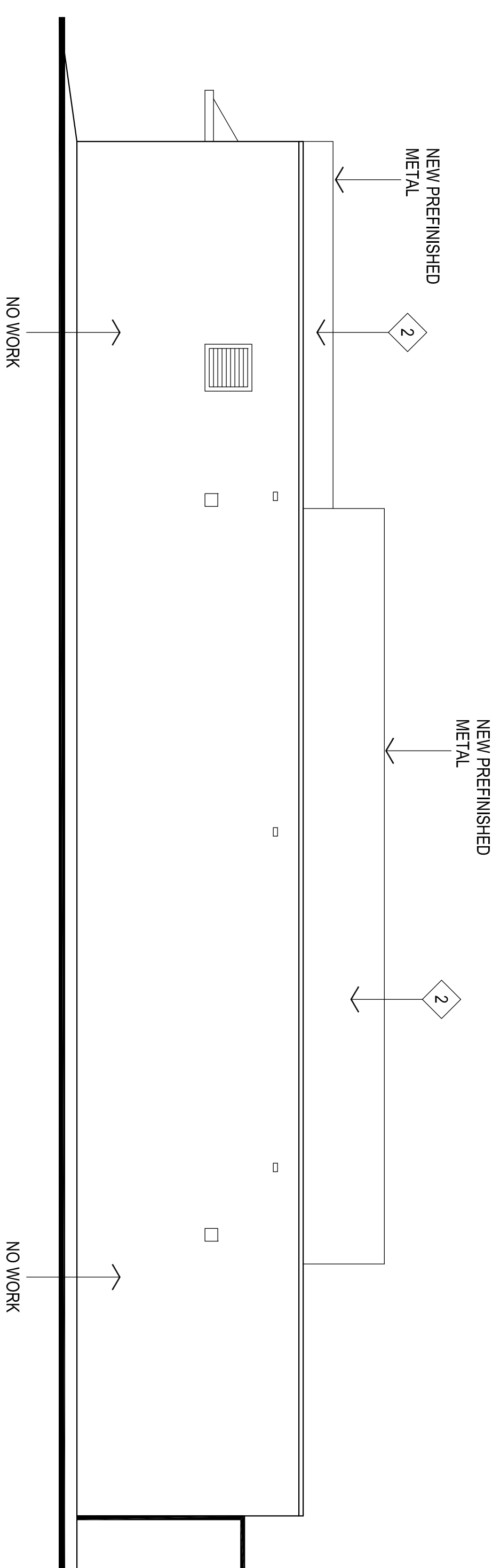


LEGEND:

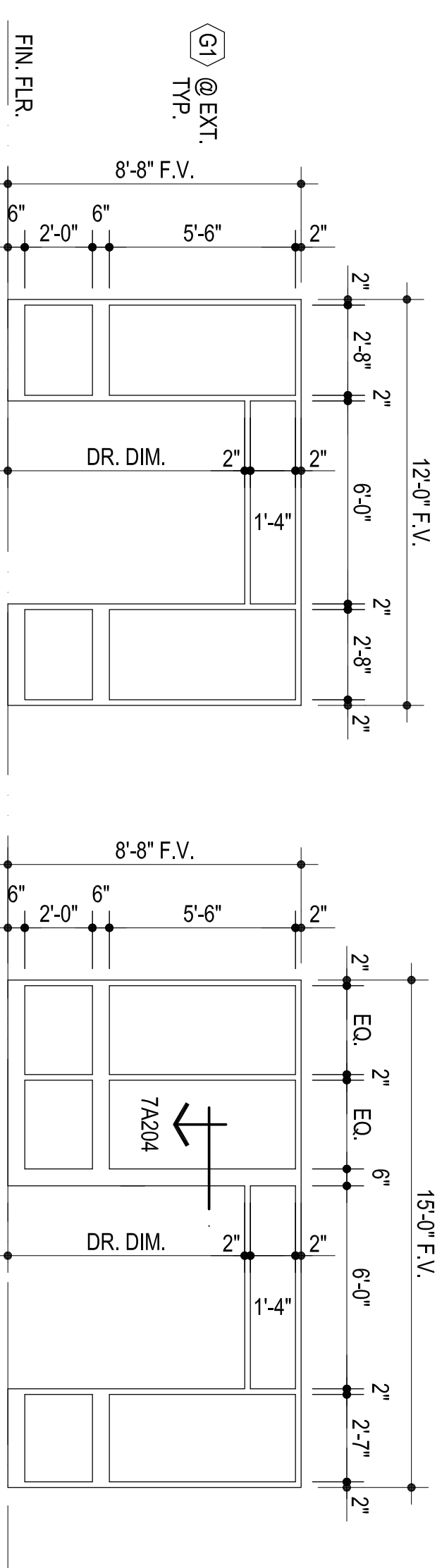
CONTRACTOR TO VERIFY QUANTITIES AND LOCATIONS OF ALL WALL / SOFFIT DEVICES

- E. ELECTRICAL DEVICE
- C. CAMERA DEVICE
- S. SPEAKER / HORN / STROBE
- C. CONDUIT / CABLE THRU FASCIA
- G. GAS LINE ON WALL

1 NORTH ELEVATION
1/8" = 1'-0"



2 SOUTH ELEVATION
1/8" = 1'-0"

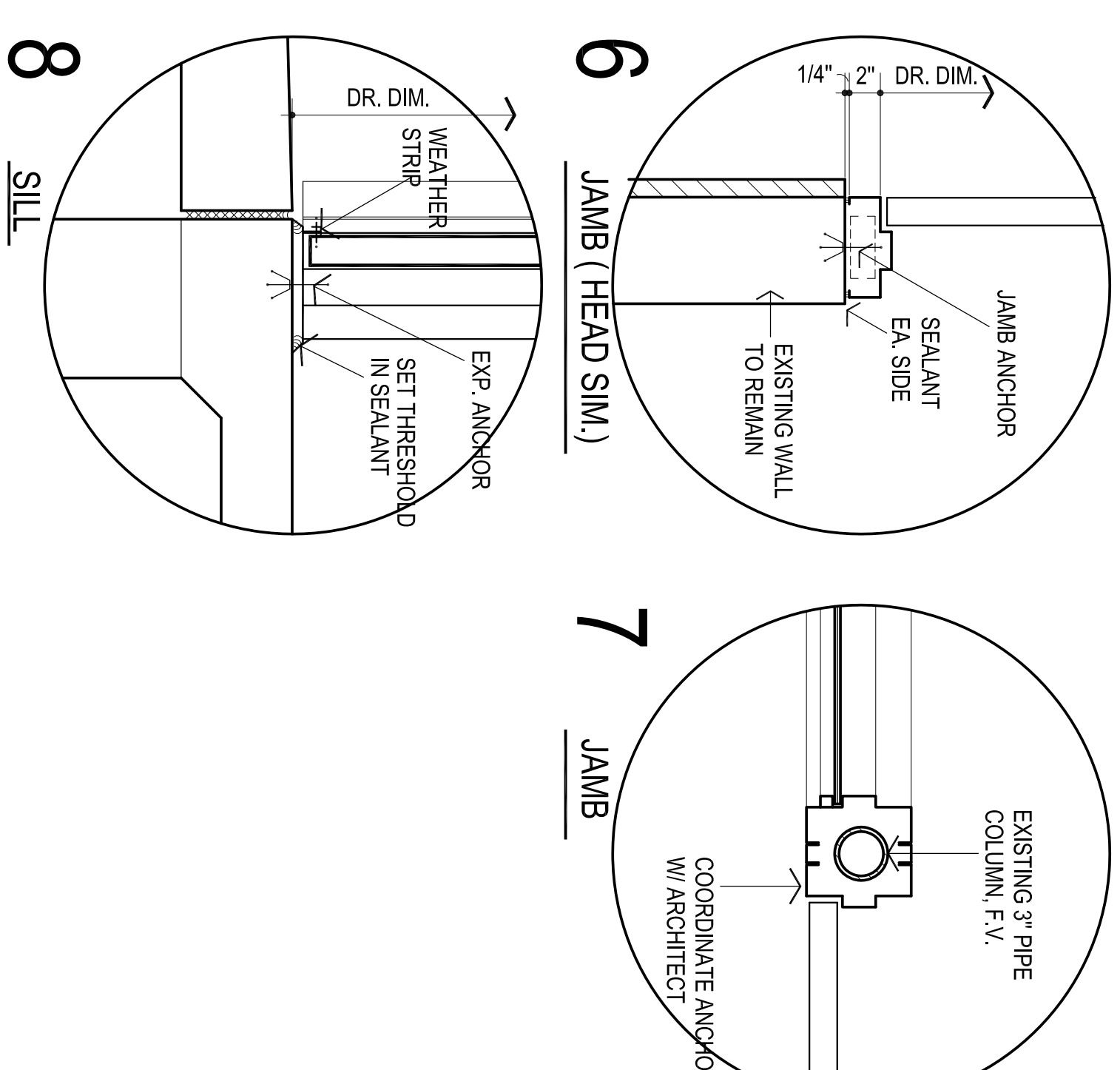
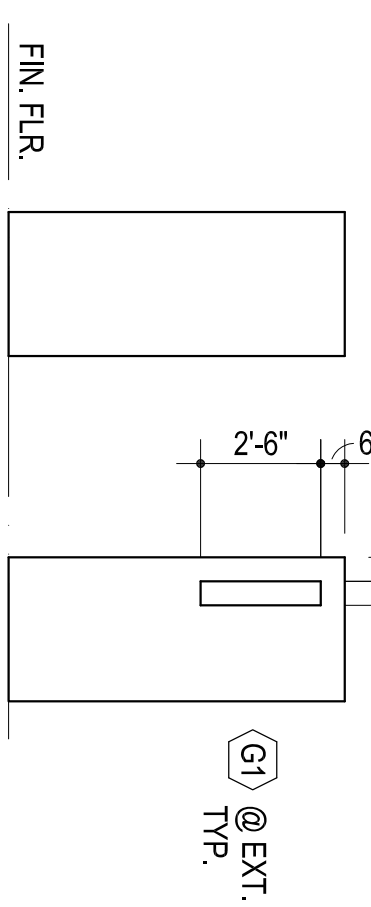


4 DOOR FRAME ELEVATIONS

FIELD VERIFY EXISTING OPENING AND ADJUST AS REQUIRED PRIOR TO FABRICATION

7/8" NOM. TEMPERED INSULATING GLASS

3 GLAZING SCHEDULE



8 SILL

DOOR NO.	LOCATION FROM TO	DOOR ELEV.	DOOR MAT'L	DOOR SIZE		FRAME ELEV.	DOOR DETAILS			REMARKS	HDWR. SET NO.
				WIDTH	HEIGHT		HEAD	SILL	JAMB		
1	ENTRY EXT	B	H.M.	PR. 3'-0"	7'-0"	A	6A204	6A204	6A204	6A204	1
2	CORR. EXT	A	H.M.	PR. 3'-0"	7'-0"	A	6A204	6A204	6A204	6A204	1
3	CORR. EXT	A	H.M.	PR. 3'-0"	7'-0"	A	6A204	6A204	6A204	6A204	1
4	CORR. EXT	A	H.M.	PR. 3'-0"	7'-0"	B	6A204	6A204	6A204	6A204	1

9 DOOR SCHEDULE

5 DOOR ELEVATIONS