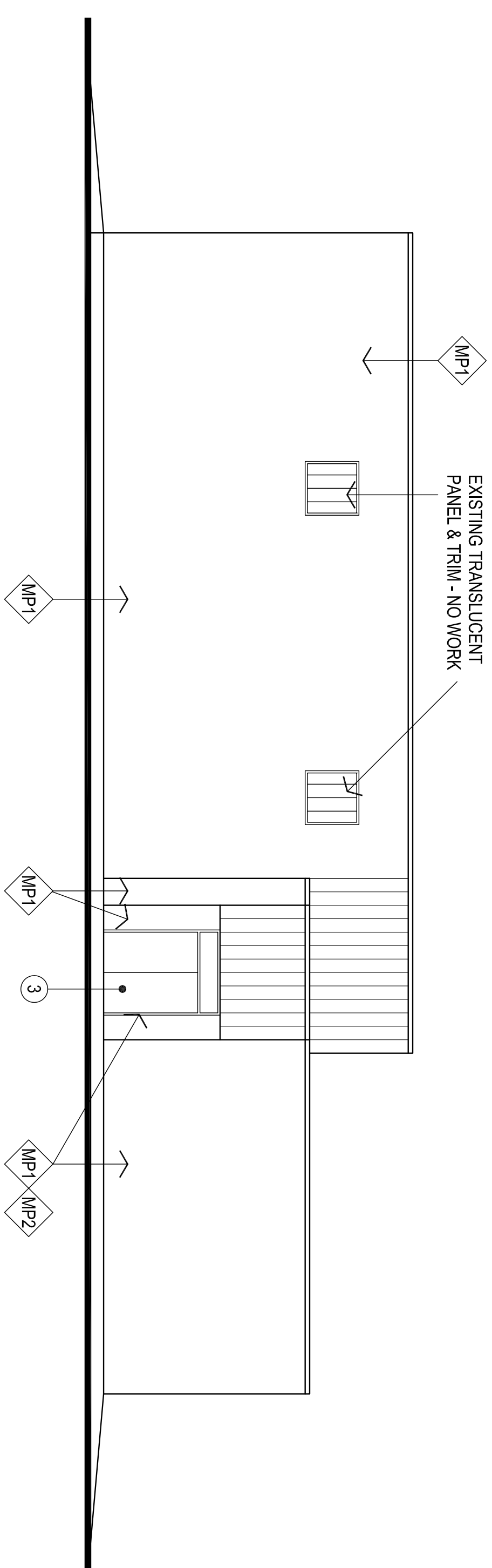
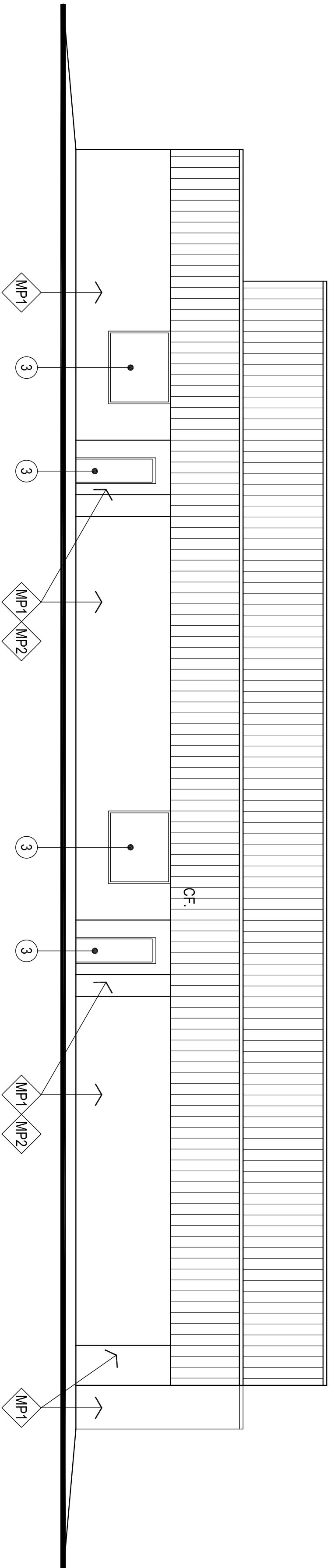


LEGEND:
CONTRACTOR TO VERIFY QUANTITIES AND
LOCATIONS OF ALL WALL / SOFFIT DEVICES

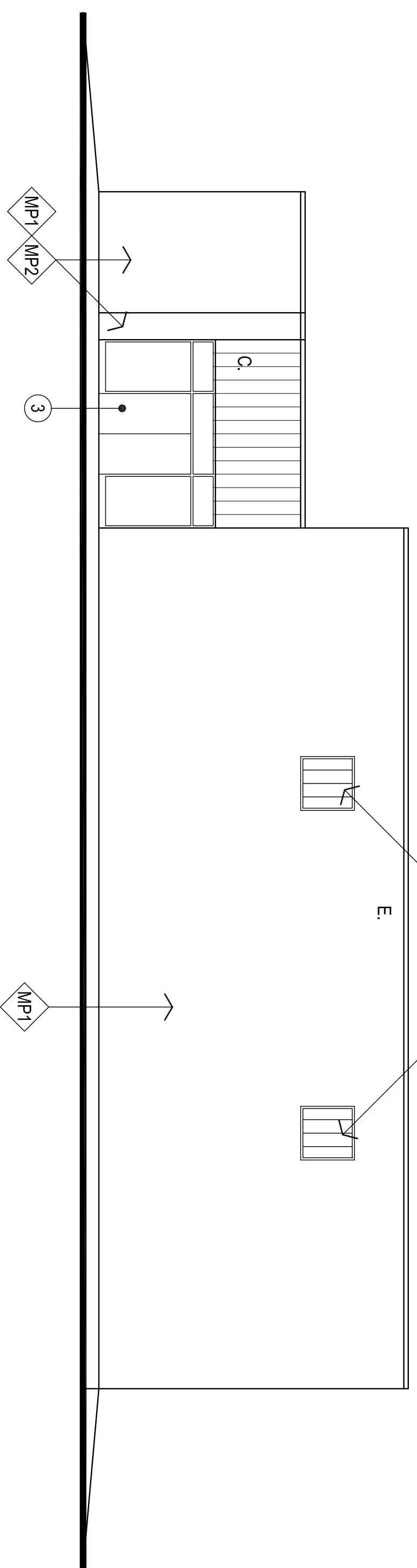
E.	ELECTRICAL DEVICE
C.	CAMERA DEVICE
S.	SPEAKER / HORN / STROBE
CF.	CONDUIT / CABLE THRU FASICA
G.	GAS LINE ON WALL



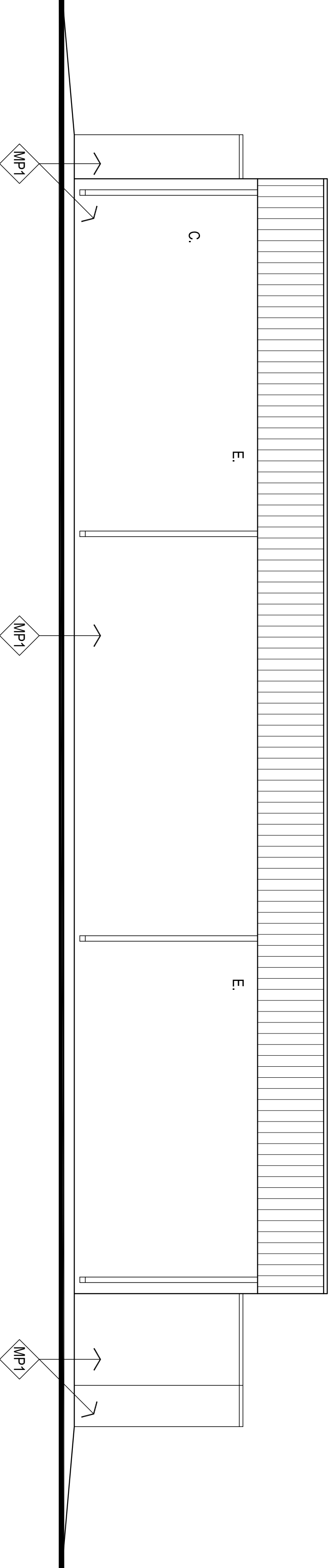
1
SOUTH ELEVATION - MULTI-PURPOSE BUILDING
1/8" = 1'-0"



2
EAST ELEVATION - MULTI-PURPOSE BUILDING
1/8" = 1'-0"

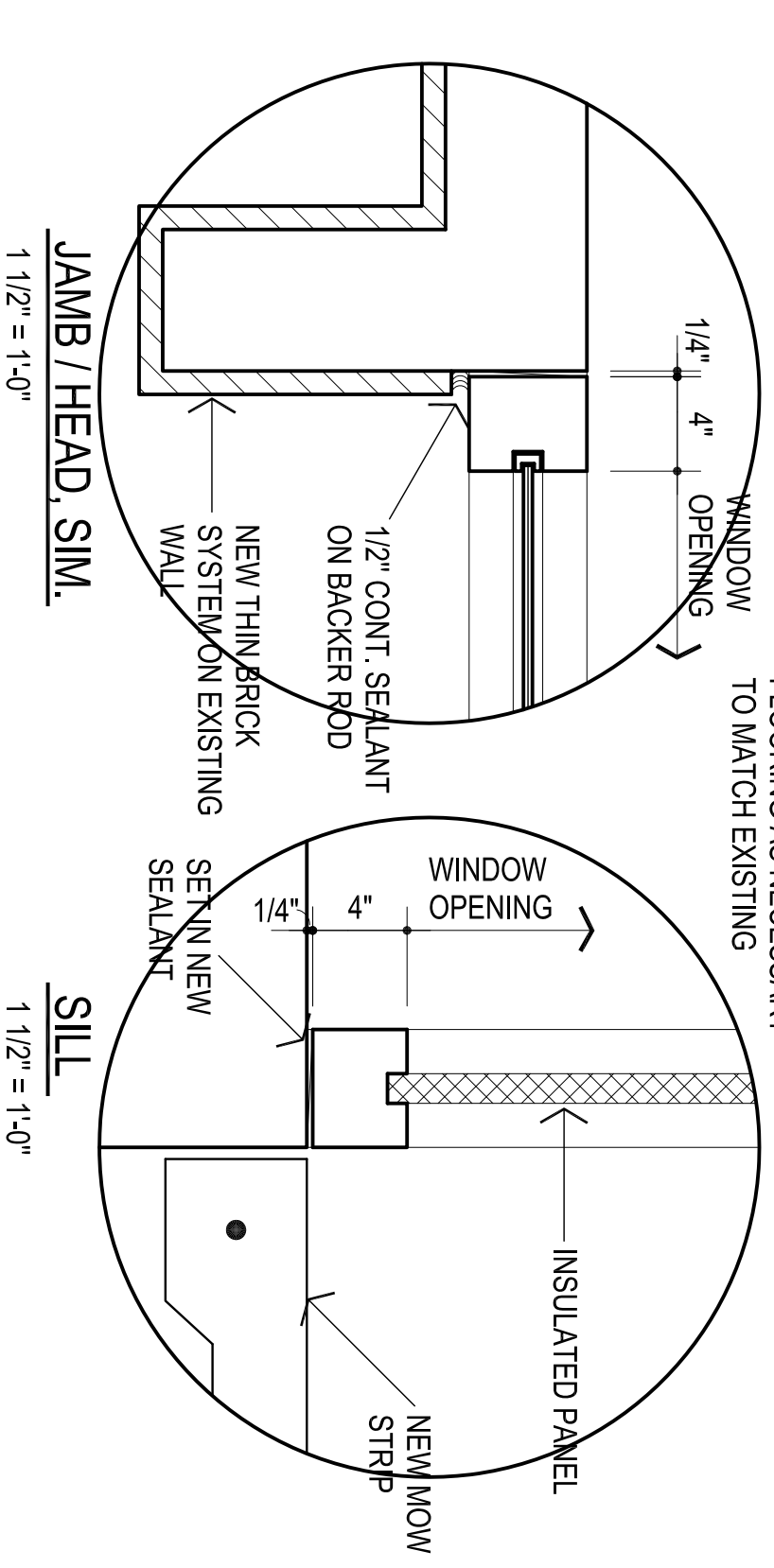


3
NORTH ELEVATION - MULTI-PURPOSE BUILDING
1/8" = 1'-0"



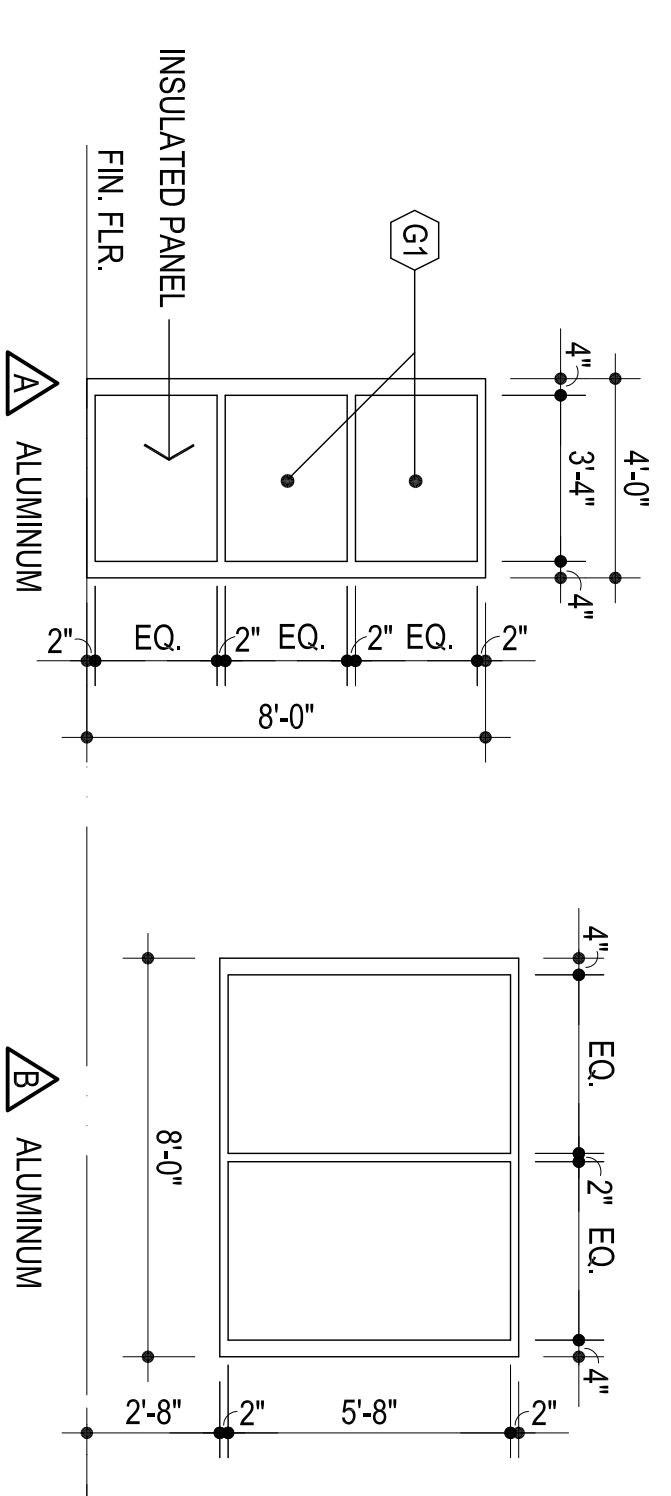
4
WEST ELEVATION - MULTI-PURPOSE BUILDING
1/8" = 1'-0"

REPAIR EXISTING INTERIOR FLOORING AS NECESSARY TO MATCH EXISTING



G1 7/8" NOM. TEMPERED INSULATING GLASS

GLAZING SCHEDULE



5
WINDOW ELEVATIONS & DETAILS
1/4" = 1'-0"

CG
drawn by
MA
checked by
JANUARY 2025
date
revisions

MOORE
PUBLIC SCHOOLS

KINGSGATE
ELEMENTARY SCHOOL
EXTERIOR UPGRADES

OWNERSHIP USE OF DOCUMENTS:
AGP EXPRESSLY RESERVES ITS
COPYRIGHT AND OTHER PROPERTY
RIGHTS OF ALL PLANS AND DRAWINGS
DESIGNED AND/OR PRODUCED. PLANS
AND DRAWINGS ARE NOT TO BE
REPRODUCED OR COPIED IN ANY MANNER
WITHOUT THE EXPRESSED WRITTEN
CONSENT OF AGP.

A203

sheet no: