

_____ KP
drawn by
_____ DG
checked by
_____ OCTOBER 2022
date
_____ revisions

MOORE PUBLIC SCHOOLS
BOARD OF EDUCATION
MOORE, OKLAHOMA



NEW ADDITION
KELLEY ELEMENTARY
SCHOOL

sheet no:

P000

OWNERSHIP USE OF DOCUMENTS:
AGP EXPRESSLY RESERVES ITS
COPYRIGHT AND OTHER PROPERTY
RIGHTS OF ALL PLANS AND DRAWINGS
DESIGNED AND/OR PRODUCED. PLANS
AND DRAWINGS ARE NOT TO BE
REPRODUCED IN ANY FORM OR MANNER
WITHOUT THE EXPRESSED WRITTEN
CONSENT OF AGP.

GENERAL PLUMBING NOTES	
1.	THESE DRAWINGS SHALL NOT BE SCALED. SEE ARCHITECTURAL/CIVIL DRAWINGS FOR DIMENSIONAL INFORMATION. THIS ENGINEER WILL NOT BE LIABLE FOR MISCALCULATED PRODUCT TAKE-OFFS DUE TO SCALING OF DRAWINGS.
2.	ALL SANITARY PIPING SHALL HAVE A 1/8" PER FOOT SLOPE UNLESS OTHERWISE NOTED. 2" SANITARY OR SMALLER SHALL HAVE A 1/4" PER FOOT SLOPE.
3.	VENT PIPING SHOWN ON FLOOR PLANS IS DIAGRAMMATIC EXCEPT FOR VENT THRU ROOF (VTR) LOCATIONS.
4.	VALVES AND FITTINGS SHALL BE OF SAME SIZE AS THE LINE ON WHICH THEY ARE LOCATED, UNLESS OTHERWISE INDICATED ON DRAWINGS.
5.	CONTRACTOR SHALL COORDINATE ALL WORK WITH OTHER TRADES.
6.	CONTRACTOR SHALL FIELD VERIFY ALL GIVEN MEASUREMENTS PRIOR TO LAYING AND CONNECTING ALL SANITARY AND WASTE PIPING AND NOTIFY ENGINEER OF ANY DISCREPANCIES.
7.	CONTRACTOR SHALL BE RESPONSIBLE FOR MAINTAINING FIRE RATING AND WEATHERPROOFING INTEGRITY OF ALL PIPING AND PENETRATIONS.
8.	ALL WATER SUPPLY AND SANITARY LINES SHALL BE RUN AS CLOSE TO PLANS AS POSSIBLE WITH NO CHANGES IN SIZING.
9.	CHANGES IN THE DIRECTION OF SANITARY DRAIN PIPING SHALL NOT BE MADE WITH FITTINGS WHICH WILL CAUSE EXCESSIVE REDUCTION IN THE VELOCITY OF FLOW OR CREATE ANY OTHER ADVERSE EFFECT UNLESS PHYSICALLY IMPOSSIBLE (I.E.: USE OF SANITARY TEE IN A HORIZONTAL CONNECTION, USE OF A DOUBLE SANITARY TEE IN A VERTICAL STACK, IN GENERAL, USE OF SHORT-RADIUS FITTINGS FOR BRANCH TO HOUSE DRAIN OR STACK CONNECTION).
10.	CONTRACTOR SHALL GIVE 48 HOURS HOUR EMERGENCY LOCATE NOTICE TO APPLICABLE UTILITY COMPANY PRIOR TO PERFORMING WORK INVOLVING UTILITIES.
11.	ALL DRAINAGE PIPING SHALL BE MARKED WITH THE SEAL OF APPROVAL OF THE NATIONAL SANITATION FOUNDATION.
12.	ROUTE ALL PIPING CONCEALED ABOVE CEILINGS, WITHIN WALLS, OR IN CHASES. PIPING EXPOSED SHALL BE SLOPED AND PAINTED TO MATCH ARCHITECTURAL FINISHES. PIPING IN MECHANICAL ROOMS MAY BE EXPOSED.
13.	SITE UTILITY CONNECTIONS SHALL BE PROVIDED ON CIVIL DRAWINGS. ALL SERVICES SHOWN ON THIS SET OF PLANS TERMINATE 6'-0" FROM BUILDING, UNLESS SHOWN OTHERWISE ON DRAWINGS. PLUMBING CONTRACTOR SHALL MAKE FINAL CONNECTIONS TO SITE UTILITIES. (INC. CLEAN OUTS, INCREASES, BACKWATER VALVES, ETC.)
14.	COORDINATE WITH ARCHITECT/GENERAL CONTRACTOR FOR INSTALLATION OF HOSE BIBS. HEIGHT OF INSTALLATION SHALL BE DETERMINED IN FIELD.
15.	CONTRACTOR SHALL VERIFY INVERT ELEVATIONS OF SEWERS TO WHICH NEW SEWER LINES ARE TO BE CONNECTED BEFORE INSTALLATION OF NEW SEWER LINE.
16.	ALL VENTS THROUGH ROOF SHALL BE MIN. 10'-0" FROM ANY AIR INTAKES.
17.	CONTRACTOR SHALL INSTALL DIELECTRIC UNIONS AT CONNECTIONS OF DISSIMILAR METALS.
18.	CONTRACTOR SHALL ROUGH-IN ALL WASTES AND SUPPLIES TO SPECIAL EQUIPMENT ACCORDING TO MANUFACTURER'S SHOP DRAWINGS AND MAKE FINAL CONNECTIONS. ALL SUPPLIES SHALL BE VALVED. INSTALL VACUUM BREAKERS WHERE REQUIRED BY CODE.
19.	DO NOT PENETRATE WALL FOOTINGS WITH PIPING, COORDINATE WITH GENERAL CONTRACTOR TO DROP FOOTINGS AS REQUIRED TO CLEAR PLUMBING SERVICES WHERE ABSOLUTELY NECESSARY. ALL PIPING PENETRATING A BEARING WALL OR FOOTING MUST BE SLEEVED AND LOCATION APPROVED BY STRUCTURAL ENGINEER. PROVIDE LINK-SEALS IN ALL PENETRATIONS OF EXTERIOR WALLS.
20.	ALL PIPING SHALL BE INSTALLED AS HIGH AS POSSIBLE IN PROVIDED CEILING SPACE.
21.	COORDINATE PIPING INSTALLATION AS TO NOT INTERFERE WITH HVAC EQUIPMENT ACCESS.
22.	ANY ERRORS OR AMBIGUITIES IN THE PLANS AND/OR SPECIFICATIONS THAT ARE DISCOVERED BY THE CONTRACTOR SHALL BE REPORTED TO THE ARCHITECT/ENGINEER BEFORE WORK IS STARTED. OMISSION OF PARTICULAR REFERENCE TO ANY ITEM NECESSARY FOR COMPLETE INSTALLATION AND PROPER OPERATION THEREOF SHALL NOT RELIEVE THE CONTRACTOR OF THE RESPONSIBILITY OF FURNISHING THE SAME AT NO EXTRA COST. THE CONTRACTOR IS RESPONSIBLE FOR REVIEWING ALL CONSTRUCTION DOCUMENTS FOR INFORMATION PRIOR TO BID.
23.	VERIFY WITH ARCHITECT ON ALL EQUIPMENT AND FIXTURES REQUIRING PLUMBING PRIOR TO BID. COORDINATE EXACT LOCATIONS AND CONNECTIONS.
24.	ALL WORK SHALL BE IN COMPLIANCE WITH STATE AND LOCAL CODES.
25.	CONTRACTOR SHALL PAY ALL FEES, PERMITS, LICENSES, ETC. NECESSARY FOR PROPER COMPLETION OF WORK.
26.	INSTALL ALL EQUIPMENT IN ACCORDANCE WITH MANUFACTURER'S RECOMMENDATIONS.

PLUMBING PIPING LINETYPES	
LINETYPE	DESCRIPTION
-----	DEMOLITION
-----G-----	GAS
=====	SANITARY ABOVE GRADE
-----	SANITARY BELOW GRADE
=====	STORM ABOVE GRADE
-----	STORM BELOW GRADE
-----	VENT ABOVE GRADE
-----	VENT BELOW GRADE
=====	COLD WATER
-----	COLD WATER BELOW GRADE
=====	HOT WATER
-----	HOT WATER BELOW GRADE
-----	RECIRC WATER
-----	RECIRC WATER BELOW GRADE

PLUMBING PIPING LEGEND	
	CIRCUIT SETTER
	BALL VALVE OR SHUT-OFF VALVE
	SPRING CHECK VALVE
	END CAP
	NEW TO EXISTING PIPE CONNECTION
	FLOW DIRECTION ARROW
	NEW TO EXISTING POINT OF CONNECTION SYMBOL
	PIPE CONNECTION
	HAMMER ARRESTOR (PISTON TYPE)
	HAMMER ARRESTOR (BELLOWS TYPE)
	PIPING LINEWEIGHT: NEW/DEMOLITION
	PIPING LINEWEIGHT: EXISTING

PLUMBING ABBREVIATIONS			
AG	ABOVE GRADE	MAU	MAKE-UP AIR UNIT
ADD	ADDENDUM	MC	MECHANICAL CONTRACTOR
ADDL	ADDITIONAL	MECH	MECHANICAL
ADJ	ADJUSTABLE	MIN	MINIMUM
AFF	ABOVE FINISH FLOOR	NG	NATURAL GAS
AFG	ABOVE FINISH GRADE	NIS	NOT TO SCALE
ALT	ALTERNATE	NPCW	NON POTABLE COLD WATER
BG	BELOW GRADE	ORD	OVERFLOW ROOF DRAIN
CO	CLEANOUT	OS	OPEN SITE
COL	COLUMN	OSD	OVERFLOW STORM DRAIN
CW	COLD WATER	PC	PLUMBING CONTRACTOR
DN	DOWN	PLBG	PLUMBING
DS	DOWNSPOUT	PRES	PRESSURE
EC	ELECTRICAL CONTRACTOR	QTY	QUANTITY
ECD	EXTERIOR CLEANOUT	RD	ROOF DRAIN
EQ	EQUAL	RTU	ROOFTOP UNIT
FCD	FLOOR CLEANOUT	SAN	SANITARY
FD	FLOOR DRAIN	SCH	SCHEDULE
FLR	FLOOR	SD	STORM DRAIN
FS	FLOOR SINK	SPEC	SPECIFICATIONS
FT	FOOT (FEET)	SS	STAINLESS STEEL
F	FURNACE	TEMP	TEMPERATURE
GAL	GALLON	TYP	TYPICAL
GC	GENERAL CONTRACTOR	UR	URINAL
GPM	GALLONS PER MINUTE	V	VENT
GI	GREASE INTERCEPTOR	VTR	VENT THRU ROOF
GW	GREASE WASTE	W/	WITH
HW	HOT WATER	WCO	WALL CLEANOUT
HWR	HOT WATER RETURN	WC	WATER CLOSET

PLUMBING SHEET INDEX	
P000	PLUMBING NOTES, SYMBOLS AND ABBREVIATIONS
P101	PLUMBING PLAN - BELOW GRADE
P111	PLUMBING PLAN - ABOVE GRADE
P201	PLUMBING PLAN - ROOF
P501	PLUMBING DETAILS
P601	PLUMBING SCHEDULES



KP
drawn by
DG
checked by
OCTOBER 2022
date
revisions

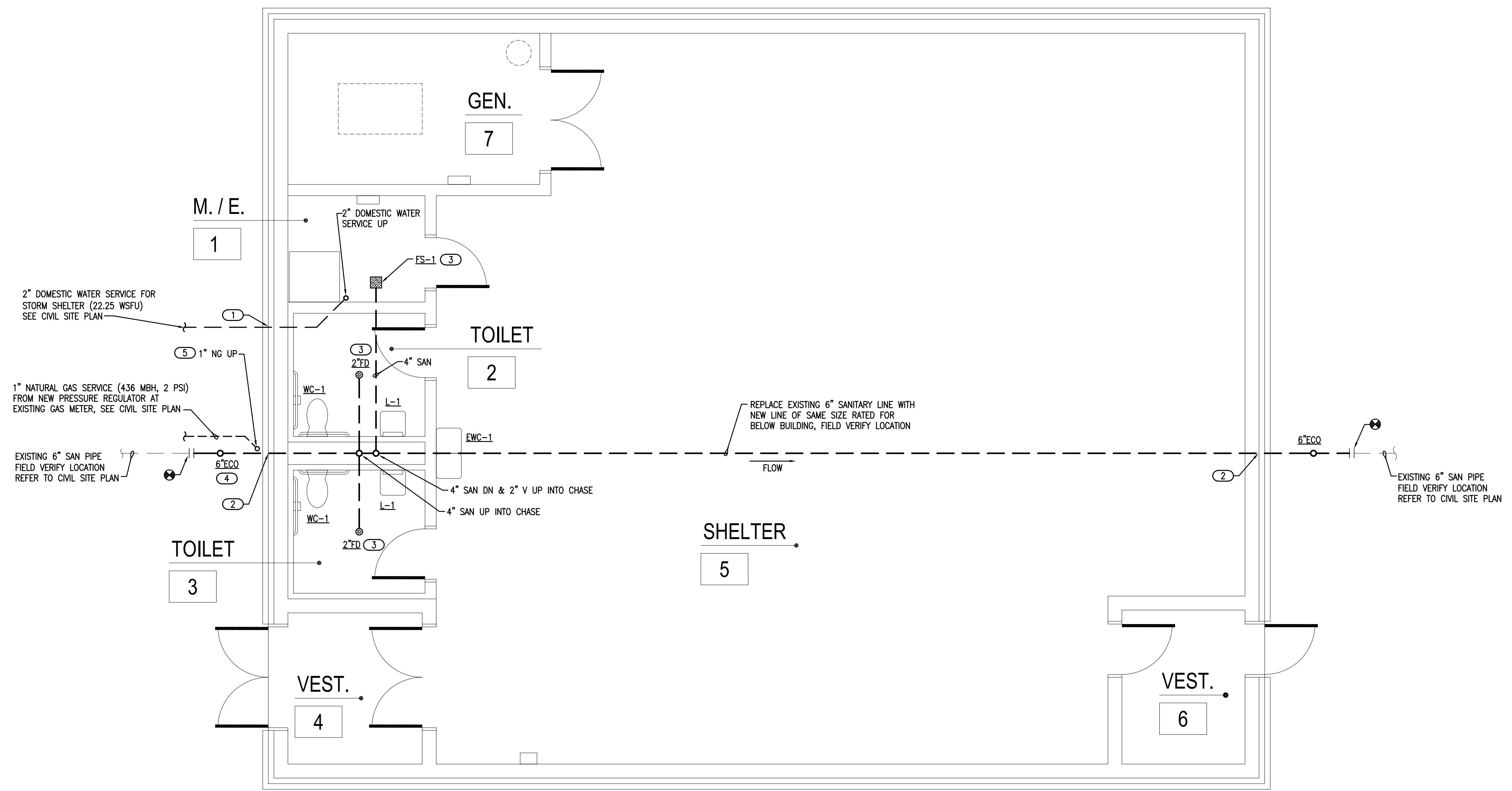


sheet no:

P101

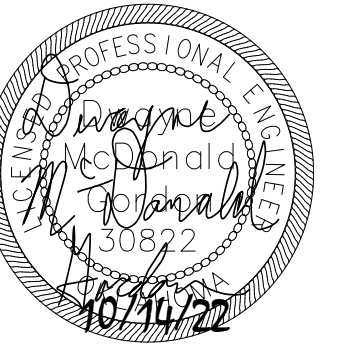
- GENERAL NOTES**
- COORDINATE WORK WITH ALL OTHER TRADES ON SITE.
 - COORDINATE WITH STRUCTURAL FOR ALL BELOW GRADE PIPE ROUTING WITH FOUNDATIONS AND REQUIRED PIPE SLEEVES THRU FOUNDATION PENETRATIONS. REFER TO STRUCTURAL PLANS FOR BEAM DETAILS AND EXACT LOCATIONS.
 - FIELD VERIFY EXISTING CONDITIONS PRIOR TO COMMENCING WORK.
 - REFER TO PLUMBING FIXTURE SCHEDULE ON SHEET P601 FOR ROUGH-IN PIPE SIZES.
 - PIPE TRENCHES SHALL HAVE SAND BEDDING TO A MINIMUM POINT 6" ABOVE THE TOP OF PIPE. REFER TO SPECIFICATION SECTION 22 05 00.

- KEYED NOTES**
- PROVIDE PVC PIPE SLEEVE FOR COLD WATER LINE BELOW OR THRU FOUNDATION WALL AND THRU FLOOR. STUB SLEEVE UP 2" AFF. INSTALL FOAM PIPE INSULATION ON WATER LINE IN SLEEVE AND SEAL SLEEVE OPENINGS WATERTIGHT. COORDINATE SLEEVE INSTALLATION WITH STRUCTURAL.
 - PROVIDE PIPE SLEEVE FOR SANITARY PIPE THRU OR BELOW NEW FOUNDATION WALL. INSTALL FOAM SPACER BLOCKS TO MAINTAIN PIPE IN CENTER OF SLEEVE. COORDINATE PIPE SLEEVE INSTALLATION WITH STRUCTURAL.
 - INSTALL BELOW FLOOR 1/2" CW LINE TYPE K COPPER OR PEX-a FOR TRAP PRIMER TO FLOOR DRAIN OR FLOOR SINK. SLOPE LINE CONTINUOUSLY TOWARDS DRAIN. SEE DETAIL 1/P501.
 - INSTALL 4" EXTERIOR CLEANOUT. PROVIDE CONCRETE PAD AT GRADE. SEE DETAIL 4/P501.
 - PROVIDE NATURAL GAS ANODELESS GAS RISER FOR TRANSITION FROM BELOW GRADE MDPE TUBING TO ABOVE GRADE BLACK IRON PIPE. COORDINATE LOCATION WITH GC AND SITE CONTRACTOR.



1 PLUMBING PLAN - BELOW GRADE
1/4" = 1'-0"



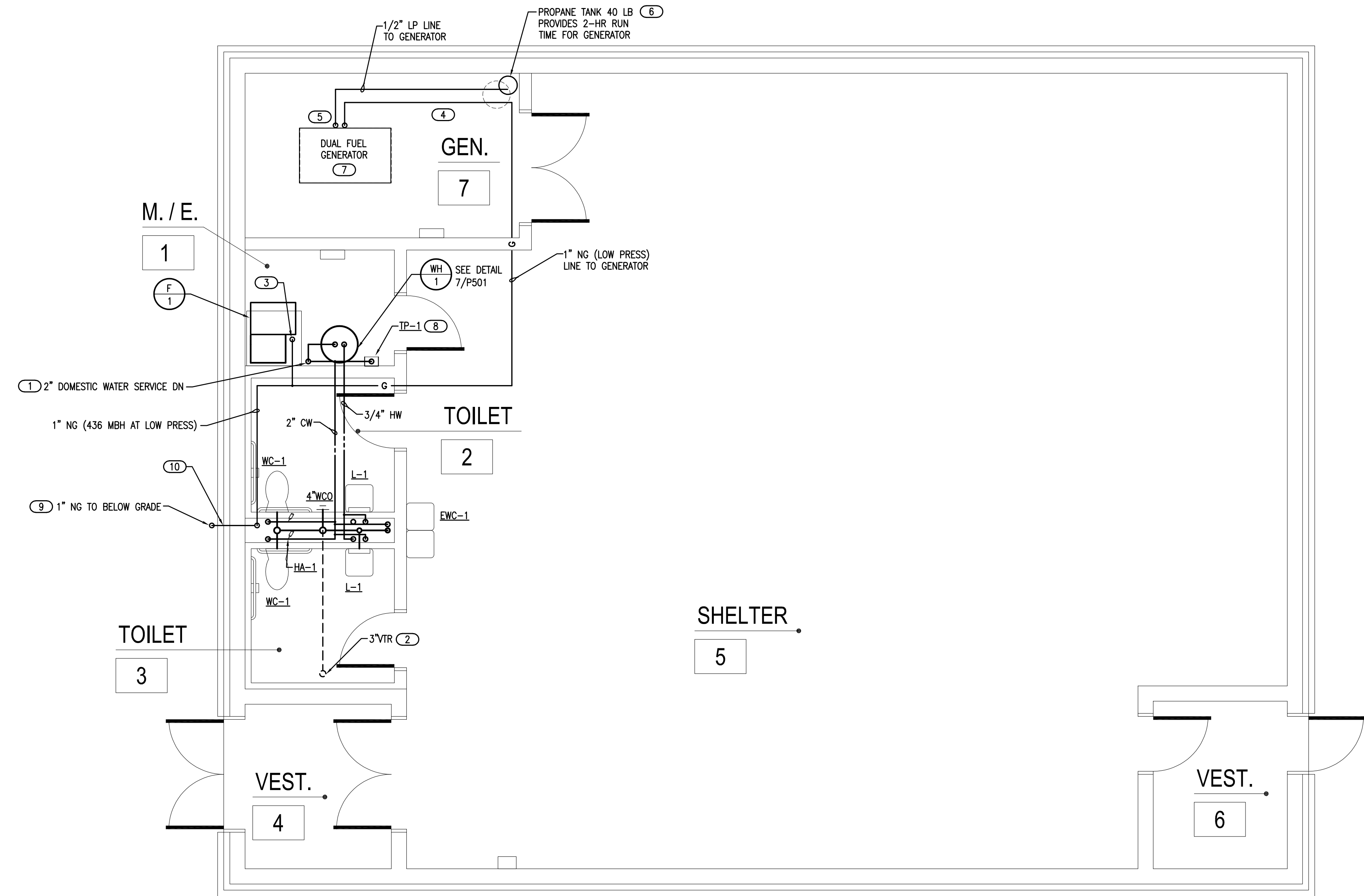


KP
drawn by
DG
checked by
OCTOBER 2022
date
revisions



sheet no:

P111

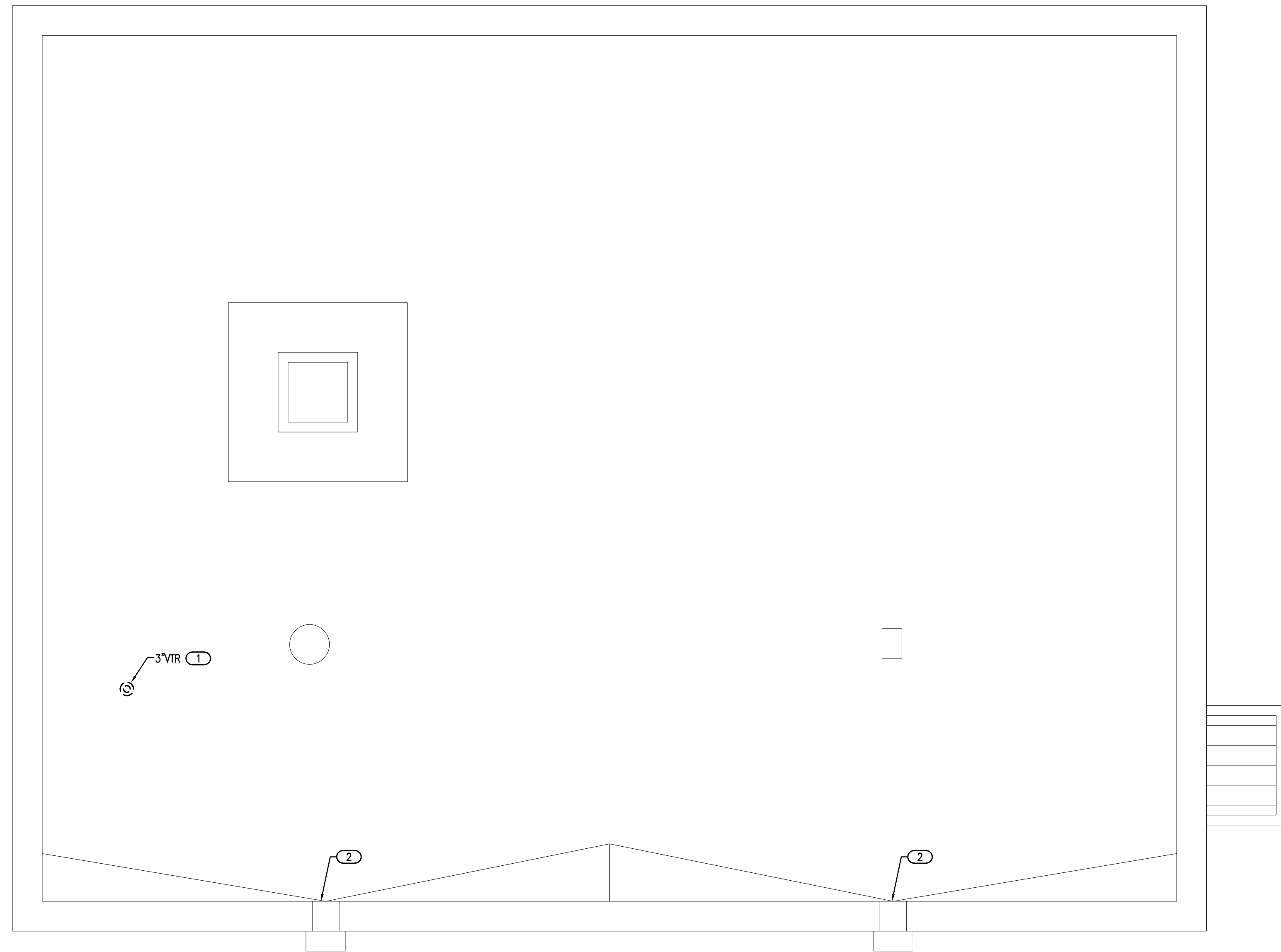
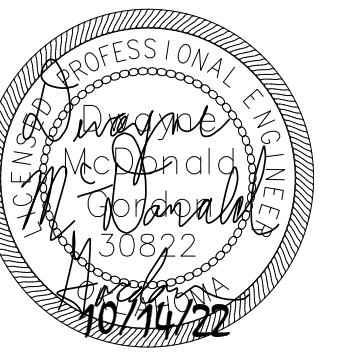


- GENERAL NOTES**
- COORDINATE WORK WITH ALL OTHER TRADES ON SITE.
 - PROVIDE WATER HAMMER ARRESTORS (HA) ON WATER LINES TO FLUSH VALVES, SENSOR FAUCETS AND QUICK CLOSING VALVES. LOCATE UNITS IN ACCESSIBLE LOCATIONS.
 - SINK AND LAVATORY WATER SUPPLY STUB OUTS SHALL BE COPPER PIPE WITH SUPPORT BRACKET FASTENED IN WALL CAVITY.
 - REFER TO PLUMBING FIXTURE SCHEDULE ON SHEET P601 FOR FIXTURE ROUGH-IN PIPE SIZES.
 - PROVIDE ACCESS PANELS FOR ALL VALVES/DEVICES ABOVE HARD CEILINGS AND BEHIND WALLS.
 - TRAP PRIMER LINES SHALL BE COPPER TYPE "K" OR PEX-a TUBING WITH CONTINUOUS SLOPE TOWARDS DRAIN CONNECTION.
 - COORDINATE WITH GENERATOR SUPPLIER FOR REQUIRED GAS PRESSURE RANGE AT UNIT CONNECTION FOR NATURAL GAS AND PROPANE.

- KEYED NOTES**
- 2" DOMESTIC WATER SERVICE DOWN WITH BALL VALVE AT 24" AFF. ROUTE DOWN TO BELOW FLOOR. SEE SHEET P101 FOR CONTINUATION.
 - COORDINATE WITH STRUCTURAL FOR DEBRIS GUARD BELOW ROOF PENETRATION OF 3" VENT.
 - INSTALL 1/2" NATURAL GAS LINE (LOW PRESSURE) TO FURNACE WITH BALL VALVE, DRIP LEG AND FINAL UNIT CONNECTION. COORDINATE WITH MC FOR FINAL UNIT CONNECTION. SEE DETAIL 6/P501.
 - PROVIDE 1" NATURAL GAS (LOW PRESSURE) AND 1/2" PROPANE LINE (LOW PRESSURE) ALONG WALL TO EMERGENCY GENERATOR. COORDINATE WITH GENERATOR SUPPLIER FOR FINAL GAS CONNECTION TO UNIT.
 - INSTALL GAS BALL VALVE, DRIP LEG, UNION AND FINAL FLEXIBLE CONNECTIONS TO GENERATOR FOR NATURAL GAS AND PROPANE. COORDINATE VALVE LOCATIONS AND FINAL UNIT CONNECTIONS WITH GENERATOR SUPPLIER ON SITE.
 - INSTALL 40 POUND PROPANE TANK WITH SUPPORT STRAP FASTENED TO WALL. INSTALL PRESSURE REGULATOR (134 MBH, 8" W.C. PRESSURE) AND ROUTE 1/2" PROPANE GAS LINE TO GENERATOR.
 - DUAL FUEL GENERATOR WITH AUTOMATIC SWITCH OVER TO PROPANE WHEN UNIT SENSES LOSS OF NATURAL GAS PRESSURE IN FUEL INLET 1.
 - INSTALL ELECTRIC TRAP PRIMER ASSEMBLY (TP-1) ON WALL IN ACCESSIBLE LOCATION. ROUTE (3) 1/2" DISCHARGE LINES FROM DISTRIBUTION UNIT TO FLOOR DRAINS AND FLOOR SINK IN THIS AREA. COORDINATE POWER WITH EC. SEE DETAIL 1/P501.
 - ROUTE 1" NATURAL GAS UP WITH SHUT-OFF VALVE AND PRESSURE REGULATOR MAXITROL 325-5LB (2 PSI TO 10"W.C.).
 - ROUTE NATURAL GAS LINE (10"W.C. PRESSURE) THRU WALL AT 24" ABOVE GRADE, FIELD VERIFY HEIGHT. INSTALL WALL SLEEVE FOR GAS LINE WITH WALL FLANGE ON EACH END. FIRE SEAL WALL PENETRATION TO MAINTAIN WALL RATING.

1 PLUMBING PLAN - ABOVE GRADE
1/4" = 1'-0"





GENERAL NOTES

- COORDINATE WORK WITH ALL TRADES ON SITE.
- MAINTAIN MINIMUM OF 10'-0" CLEAR BETWEEN EXHAUST AND INTAKE VENTS WITH MECHANICAL EQUIPMENT AND OTHER ROOF OPENINGS.
- CONTRACTOR SHALL COORDINATE ALL STORM SHELTER ROOF PENETRATIONS WITH STRUCTURAL. REFER TO STRUCTURAL DETAIL SHEET FOR PENETRATION PROTECTION FOR RECTANGULAR OPENINGS GREATER THAN 3.5 SQUARE INCHES AND CIRCULAR OPENINGS GREATER THAN 2.125 INCHES PER 2014 ICC-500.

KEYED NOTES

- COORDINATE INSTALLATION OF PLUMBING VENTS WITH ROOFING CONTRACTOR. INSTALL VENT A MINIMUM 10'-0" FROM ANY OPENINGS, EQUIPMENT, INTAKES OR EXHAUST VENTS. COORDINATE WITH STRUCTURAL FOR PROTECTION SHROUD BELOW STORM SHELTER ROOF PENETRATION OF VENT THRU ROOF.
- ROOF SCUPPERS BY GENERAL CONTRACTOR.

KP
drawn by

DG
checked by

OCTOBER 2022
date

revisions

MOORE PUBLIC SCHOOLS
BOARD OF EDUCATION
MOORE, OKLAHOMA



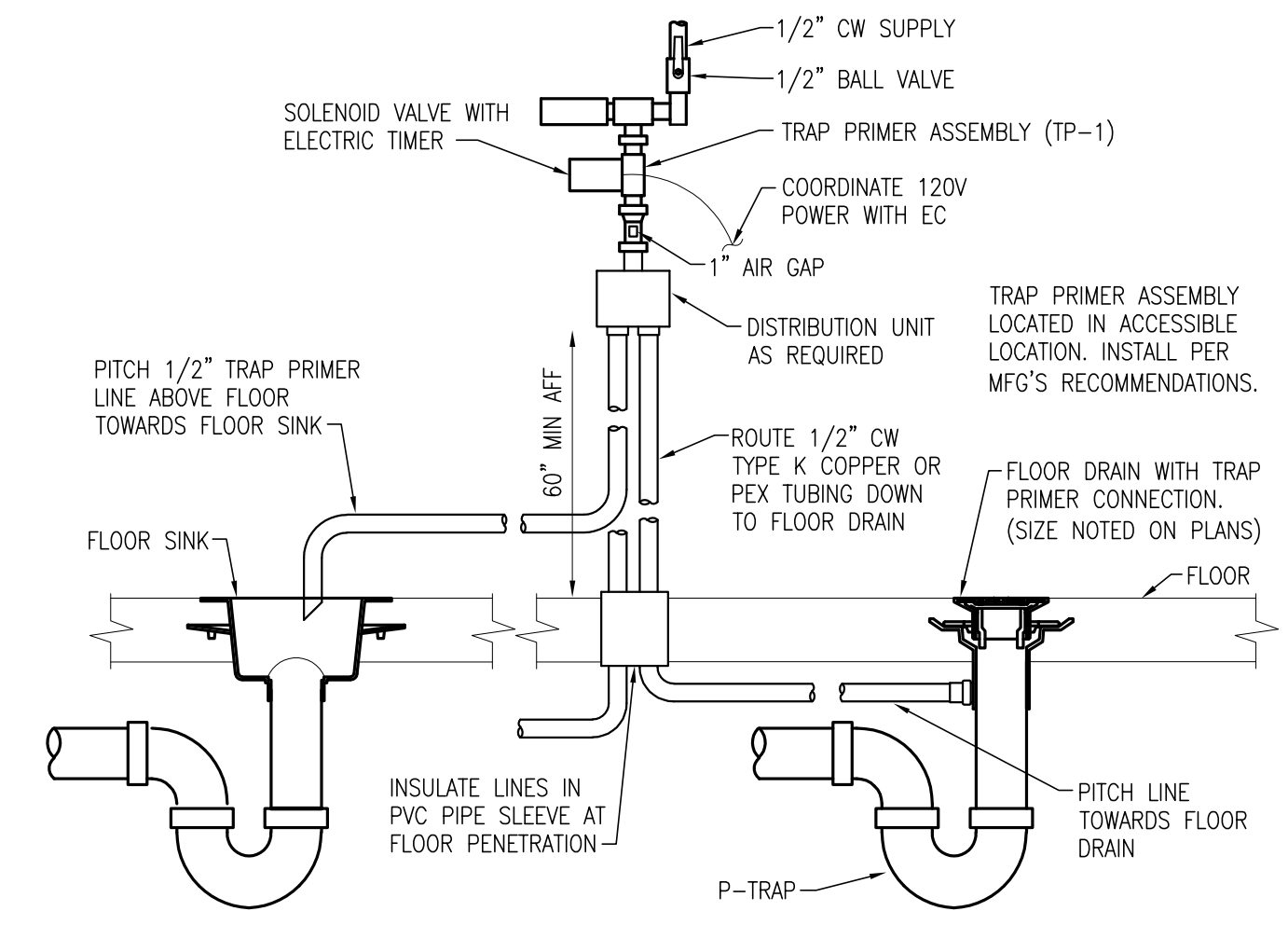
NEW ADDITION
KELLEY ELEMENTARY
SCHOOL

sheet no:

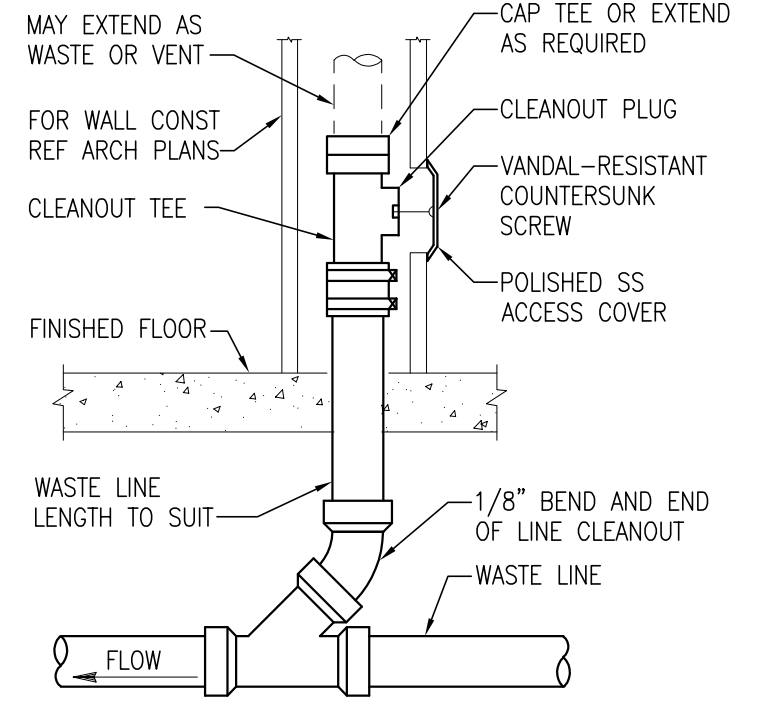
P201

1 PLUMBING PLAN - ROOF
1/4" = 1'-0"

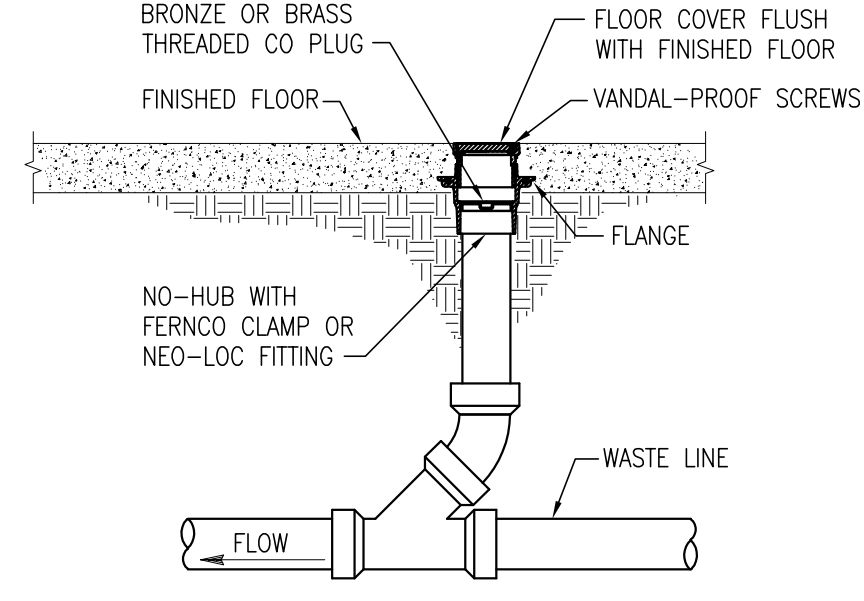




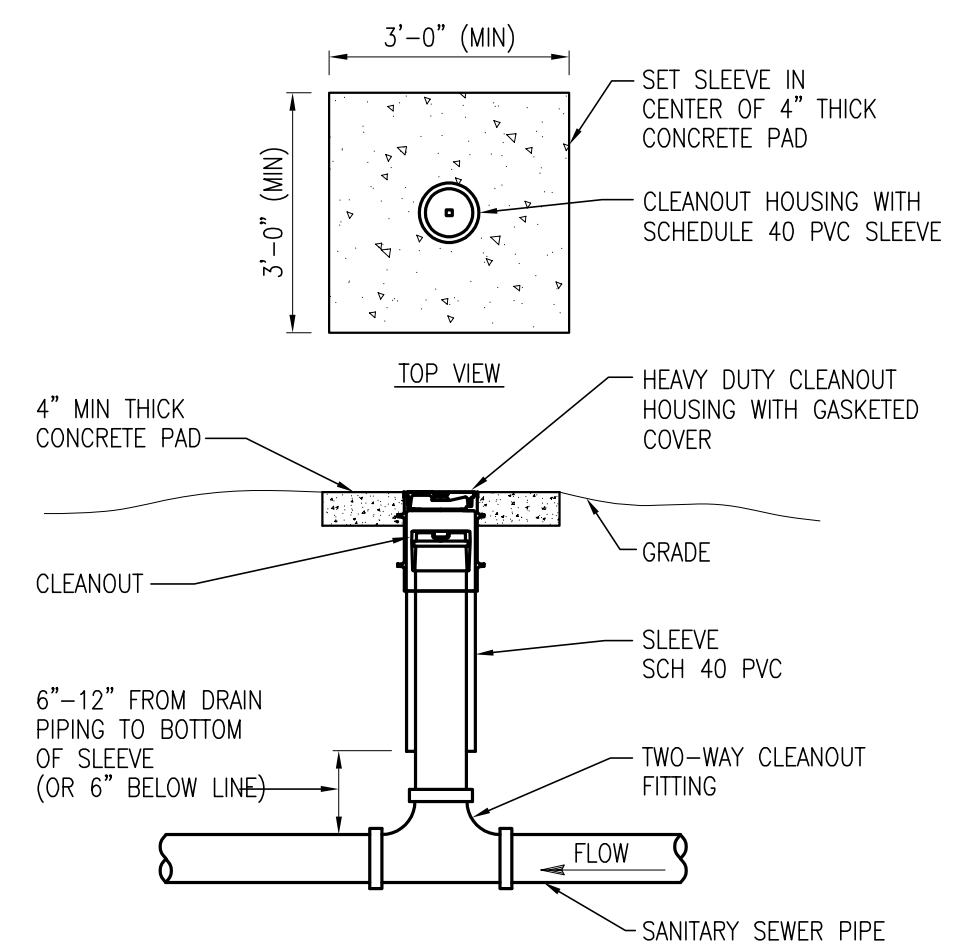
1 ELECTRIC TRAP PRIMER DETAIL
NOT TO SCALE



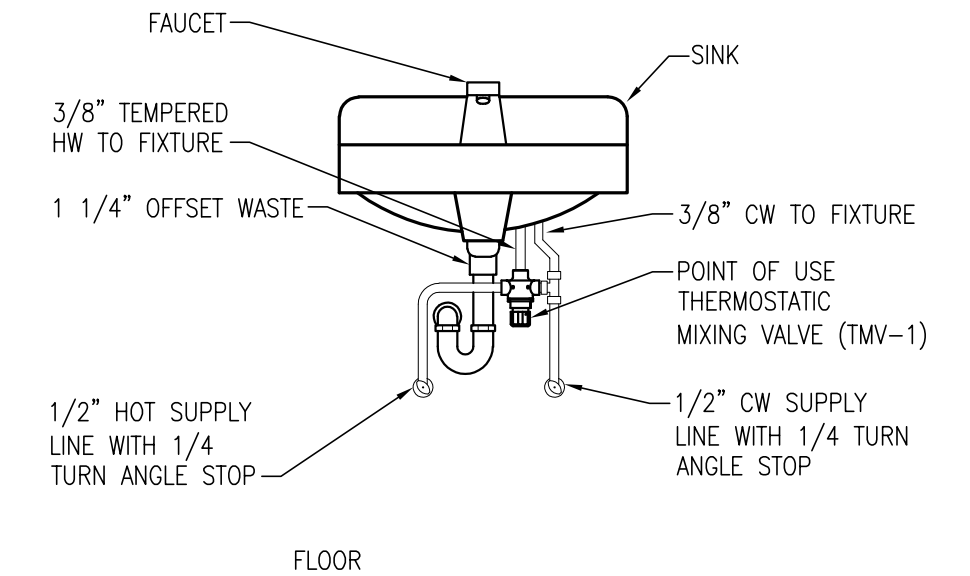
2 WALL CLEANOUT DETAIL
NOT TO SCALE



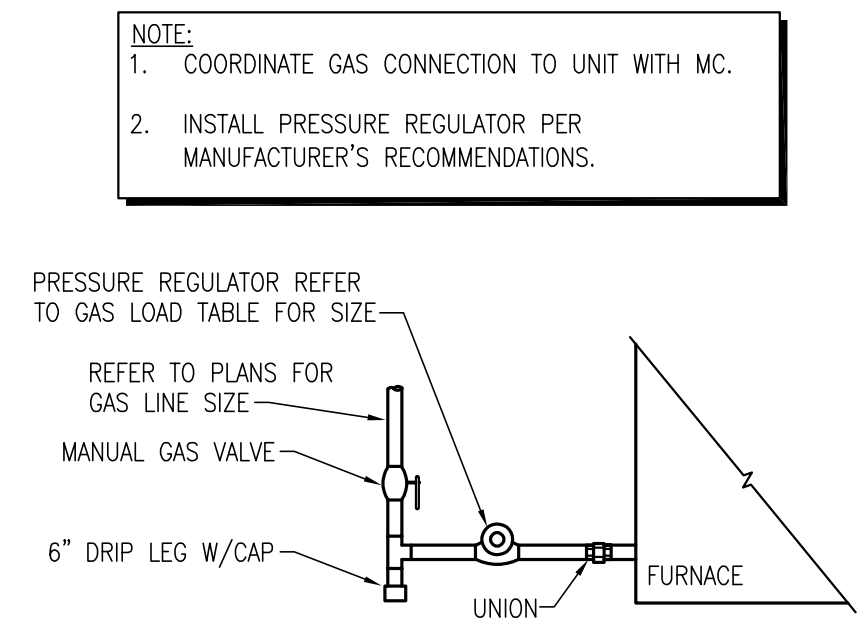
3 INTERIOR CLEANOUT DETAIL
NOT TO SCALE



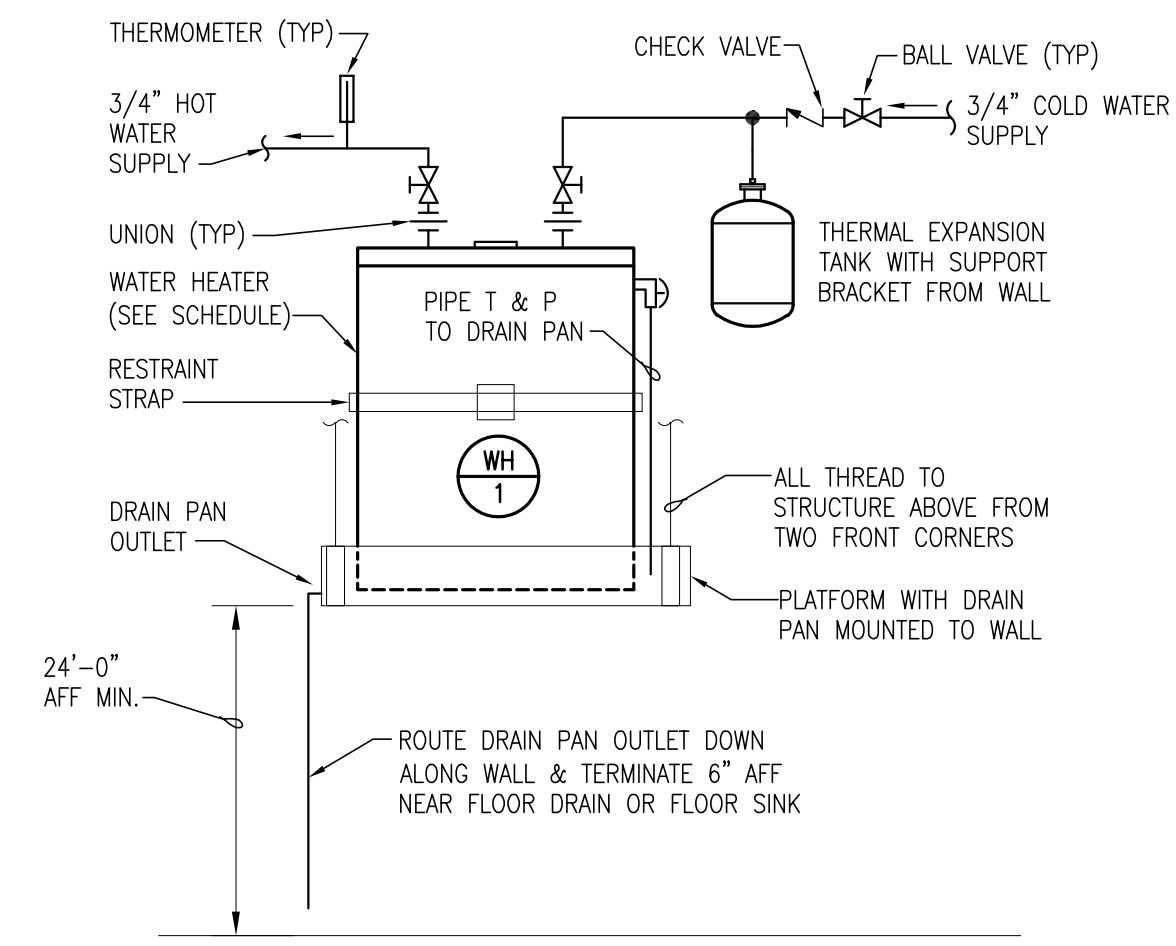
4 EXTERIOR SANITARY CLEANOUT DETAIL
NOT TO SCALE



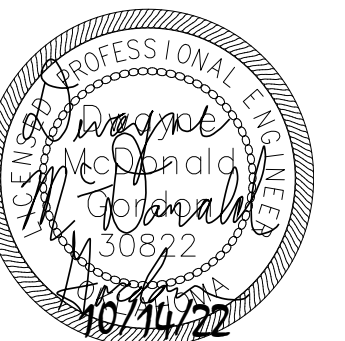
5 SINK WITH MIXING VALVE DETAIL
NOT TO SCALE



6 FURNACE GAS CONNECTION DETAIL
NOT TO SCALE



7 ELECTRIC WATER HEATER DETAIL
NOT TO SCALE



KP

drawn by

DG

checked by

OCTOBER 2022

date

revisions

MOORE PUBLIC SCHOOLS
BOARD OF EDUCATION
MOORE, OKLAHOMA



NEW ADDITION
KELLEY ELEMENTARY
SCHOOL

sheet no:

P601

SALAS O'BRIEN
[expect a difference]

2600 Van Buren St., Suite 2635
Norman, Oklahoma 73072
P: 405.364.9926 | CA#:7058 Expiration Date: 6/30/2023

Salas O'Brien Project No.: 2022-04164-00

OWNERSHIP USE OF DOCUMENTS:

AGP EXPRESSLY RESERVES ITS
COPYRIGHT AND OTHER PROPERTY
RIGHTS OF ALL PLANS AND DRAWINGS
DESIGNED AND/OR PRODUCED. PLANS
AND DRAWINGS ARE NOT TO BE
REPRODUCED IN ANY FORM OR MANNER
WITHOUT THE EXPRESSED WRITTEN
CONSENT OF AGP.

ELECTRIC WATER HEATER SCHEDULE										
MARK	LOCATION	TEMPERATURE RISE	CAPACITY GALLONS	AMPS	ELEMENT KW	VOLTAGE	PHASE	MANUFACTURER & MODEL NO.	NOTES	
WH-1	M.E./CUST RM 15	70 DEG @ 25 GPH	30	22	4.5	208	1	A.O. SMITH DEL-30	ALL	
NOTES: 1. INSTALL PER MANUFACTURER'S RECOMMENDATIONS. 2. WATER HEATER OUTLET TEMPERATURE SET TO 120°F. VERIFY TEMPERATURE WITH OWNER. 3. PROVIDE AMTROL ST-5 THERMAL EXPANSION TANK ON COLD WATER LINE TO WATER HEATER. 4. PROVIDE HOLD RITE WALL SUPPORT PLATFORM MODEL 50-SWHP-W & RESTRAINT STRAP FOR WATER HEATER. 5. COORDINATE WIRING WITH E.C. 6. SEE DETAIL SHEET P501 FOR MORE INFORMATION.										

GAS LOAD TABLE					
MARK	INPUT (MBH)	REQUIRED PRESSURE	REQUIRED REGULATOR	SYSTEM PRESSURE	NOTES
F-1	100	7" W.C.	NONE	10" W.C.	1,2,4
GENSET	336	7" W.C.	NONE	10" W.C.	1,3,4
TOTAL LOAD	436 MBH				
NOTES: 1. INSTALL AND VENT REGULATOR IF REQUIRED PER MANUFACTURER'S RECOMMENDATIONS. 2. COORDINATE WITH MECHANICAL CONTRACTOR FOR EQUIPMENT LOCATIONS AND REQUIRED CONNECTION. 3. COORDINATE WITH GENERATOR SUPPLIER FOR EQUIPMENT LOCATION AND REQUIRED CONNECTIONS. 4. NATURAL GAS SYSTEM BASED ON DESIGN PRESSURE OF 2 PSI FROM GAS METER TO SAFEROOM WITH PRESSURE REGULATOR ON BUILDING TO DECREASE TO 10" WATER COLUMN WITH PRESSURE DROP OF 3" WATER COLUMN AND TOTAL LENGTH OF 100' FOR LOW PRESSURE GAS LINE.					

PLUMBING FIXTURE SCHEDULE										
MARK	FIXTURE	MANUFACTURER	MODEL	MOUNT	ROUGH-IN SCHEDULE				FITTINGS AND REMARKS	
					COLD	HOT	WASTE	VENT		
L-1	LAVATORY ADA	KOHLER	K-2005	WALL	1/2"	1/2"	1 1/2"	1 1/2"	PROVIDE CHICAGO FAUCET MODEL 420-CP. PROVIDE MCGUIRE HD155WC OFFSET STRAINER, 800ZC P-TRAP, & LFBV2165CC SUPPLY STOPS. TRUEBRO LAY GUARD 2 PIPE COVERS. REFER TO ARCHITECT'S PLANS FOR MOUNTING HEIGHT AND WALL TYPE. ADA INSTALLATION. INSTALL MIXING VALVE TMV-1 UNDER FIXTURE. SEE DETAIL 5/P501.	
WC-1	WATER CLOSET ADA	KOHLER	K-4325	WALL	1 1/4"	-	4"	-	COLOR WHITE. PROVIDE SLOAN ROYAL 111-1.6 SFSM BATTERY OPERATED FLUSH VALVE. PROVIDE BEMS 1655SSCT OPEN FRONT ELONGATED SEAT, EXTERNAL CHECK HINGE, COLOR WHITE. WADE WALL CARRIER. REFER TO ARCHITECT'S PLANS FOR HEIGHT AND WALL TYPE. ADA INSTALLATION.	
EWC-1	ELECTRIC WATER COOLER DUAL	ELKAY	LZSL8WSVRSK	WALL	1/2"	-	1 1/2"	1 1/2"	DUAL LEVEL VANDAL-RESISTANT WITH PUSH BUTTON ACTIVATION, SENSOR WATER BOTTLE FILLING STATION ON LOWER UNIT, FILTERED, 120 VOLT. PROVIDE ELKAY CANE APRON LKAPREZL ON UPPER UNIT. PROVIDE PVC P-TRAP AND 1/4 TURN SUPPLY STOP. REFER TO ARCHITECT'S PLANS FOR MOUNTING HEIGHT & WALL TYPE. ADA INSTALLATION.	
FD	FLOOR DRAIN	WADE	1100-DA6-1	FLOOR	-	-	SEE PLANS	-	6" ROUND NICKEL BRONZE STRAINER, CAST IRON BODY ANCHOR FLANGE, CLAMP COLLAR, ADJUSTABLE COLLAR, ADJUSTABLE STRAINER HEIGHT, VANDAL-PROOF SECURED TOP, 1/2" TRAP PRIMER CONNECTION.	
FS-1	FLOOR SINK	WADE	9110-64-15-24-27	FLOOR	-	-	3"	-	8"x8" TOP, 6" DEEP, CAST IRON BODY WITH WHITE A.R.E INTERIOR, 1/2 GRATE, SEDIMENT BUCKET, ANCHOR FLANGE.	
FCO	FLOOR CLEANOUT	WADE	6000-1-VP-75	FLOOR	-	-	SEE PLANS	-	ADJUSTABLE, CAST IRON BODY, ANCHOR FLANGE, MEDIUM DUTY SCORIATED ROUND TOP WITH NICKEL BRONZE FINISH, VANDAL RESISTANT COVER SCREWS, BRASS PLUG.	
WCO	WALL CLEANOUT	WADE	8560-75 8304-85-VP	WALL	-	-	SEE PLANS	-	CAST IRON CLEANOUT TEE, THREADED BRASS PLUG, PROVIDE 8304-85-VP STAINLESS STEEL 6" ROUND ACCESS COVER WITH VANDAL RESISTANT SECURING SCREW.	
ECO	EXTERIOR CLEANOUT	WADE	8401-COF4-V P	GRADE	-	-	SEE PLANS	-	CAST IRON CLEANOUT ACCESS HOUSING, ANCHOR FLANGE, SECURED GASKETED COVER WITH CLEANOUT FERRULE WITH BRASS PLUG. VANDAL PROOF SCREWS.	
HA-1	HAMMER ARRESTOR	WATTS	LF15M2	PIPE	VARIES	-	-	-	LEAD-FREE DESIGN, PDI WH201 LISTED, MAINTENANCE FREE, INSTALL PER MANUFACTURER'S RECOMMENDATIONS.	
TP-1	TRAP PRIMER (ELECTRIC)	SIoux CHIEF	695-ES01	PIPE	1/2"	-	-	-	ELECTRONIC UNIT WITH 24 HOUR TIMER, SOLENOID VALVE, INTEGRAL AIR GAP, 1/2" CW INLET & OUTLET, WATER HAMMER ARRESTOR, 120V POWER HARDWIRED, PROVIDE STRAINER PRIOR TO UNIT. COORDINATE 120 VOLT POWER OUTLET WITH EC. PROVIDE DISTRIBUTION SPLITTER. SEE DETAIL 1/P501.	
TMV-1	THERMOSTATIC MIXING VALVE	WATTS	LFMMV-M1	BELOW FIXTURE	1/2"	1/2"	-	-	LEAD FREE MIXING VALVE WITH ADJUSTABLE TEMPERATURE SET-POINT & LOCKABLE, INTEGRAL CHECK STOPS & STRAINERS, 1/2" INLETS & OUTLET. SET OUTLET TEMP AT 105 DEGREES F. ASSE 1070 LISTED.	
AP-1	ACCESS PANEL	ACUDOR	UF-5000 14x14 CLSS	WALL	-	-	-	-	14"x14" STEEL, 16 GAGE DOOR & FRAME, 18 GAGE MOUNTING FRAME. CONCEALED HINGE, CYLINDER LOCK & KEY, STAINLESS STEEL FINISH. CONCEALED FASTENING POINTS.	
PRV	PRESSURE REDUCING VALVE	WATTS	LF223-S	PIPE	2"	-	-	-	LEAD FREE BRASS CONSTRUCTION WITH INLET STRAINER & THREADED CONNECTIONS, ADJUSTABLE REDUCED PRESSURE RANGE, SET OUTLET PRESSURE TO 65 PSI. MEETS ASSE STANDARD 1003. INSTALL ON WATER SERVICE IN BUILDING. PROVIDE PRESSURE GAUGES AT UNIT.	