



ZAK
drawn by
DMG
checked by
OCTOBER 2022
date
revisions

MOORE PUBLIC SCHOOLS
BOARD OF EDUCATION
MOORE, OKLAHOMA



NEW ADDITION
KELLEY ELEMENTARY
SCHOOL

sheet no:

M000

OWNERSHIP USE OF DOCUMENTS:
AGP EXPRESSLY RESERVES ITS
COPYRIGHT AND OTHER PROPERTY
RIGHTS OF ALL PLANS AND DRAWINGS
DESIGNED AND/OR PRODUCED. PLANS
AND DRAWINGS ARE NOT TO BE
REPRODUCED IN ANY FORM OR MANNER
WITHOUT THE EXPRESSED WRITTEN
CONSENT OF AGP.

GENERAL MECHANICAL NOTES

- ALL WORK SHALL BE IN COMPLIANCE WITH STATE AND LOCAL CODES.
- THE CONTRACTOR SHALL PAY FOR ALL FEES, PERMITS, LICENSES, ETC., NECESSARY FOR PROPER COMPLETION OF THE WORK.
- INSTALL ALL EQUIPMENT IN ACCORDANCE WITH MANUFACTURERS RECOMMENDATIONS.
- VERIFY ALL EXISTING CONDITIONS. NOTIFY ENGINEER OF ANY CONFLICTS BETWEEN CONTRACT DRAWINGS AND ACTUAL CONDITIONS.
- EXISTING UTILITIES TO BE ABANDONED SHALL BE PROPERLY DISCONNECTED AND CAPPED AS REQUIRED BY CODE OR LOCAL ORDINANCE.
- THESE DRAWINGS ARE DIAGRAMMATIC AND SHALL NOT BE SCALED. ADDITIONAL DATA SHALL BE FROM THE ENGINEER THROUGH WRITTEN CLARIFICATION ONLY. VERIFY ALL EXISTING CONDITIONS, ELEVATIONS, AND DIMENSIONS BEFORE PROCEEDING WITH ANY PORTION OF ANY WORK. THE CONTRACTOR SHALL PROVIDE ALL OFFSETS AND TRANSITIONS REQUIRED TO MEET EXISTING CONDITIONS.
- THE CONTRACTOR SHALL PERFORM WORK IN A SKILLED AND PROFESSIONAL MANNER.
- ALL CONTRACTORS ARE RESPONSIBLE TO FIELD COORDINATE WORK SCHEDULE WITH OWNER REPRESENTATIVE.
- THE CONTRACTOR SHALL WORK AND COORDINATE WITH THE OTHER TRADES.
- ALL EQUIPMENT SHALL BE NEW AND IN UNDAMAGED CONDITION. ANY EQUIPMENT FOUND DEFECTIVE SHALL BE IMMEDIATELY REMOVED FROM THE PROJECT.
- PROVIDE 3 COPIES OF AN OPERATION AND MAINTENANCE MANUAL FOR ALL MAJOR EQUIPMENT REQUIRING SERVICE. MAJOR EQUIPMENT INCLUDES BUT IS NOT LIMITED TO COILS, FANS, AND CONTROL WIRING DIAGRAMS. EACH PIECE OF EQUIPMENT SHALL STATE THE CONTRACT DATE AND THE NAME, ADDRESS AND PHONE NUMBER FOR THE PRIME CONTRACTOR, SUBCONTRACTOR PERFORMING THE INSTALLATION, AND THE LOCAL VENDOR FOR SPARE PARTS. THE MANUALS SHALL CONTAIN MAINTENANCE INSTRUCTIONS REQUIRED FOR THE INSTALLED EQUIPMENT. MANUALS SHALL BE BOUND IN A THREE RING HARD COVER BINDER. O & M MANUALS SHALL BE SUBMITTED TO THE OWNER PRIOR TO FINAL WALK THROUGH OF THE PROJECT.
- PROVIDE 8 HOURS OF OWNER TRAINING FOR THE INSTALLED EQUIPMENT. TRAINING SHALL BE HELD ONLY AFTER ALL OF THE EQUIPMENT IS INSTALLED AND PROPER OPERATION IS VERIFIED.
- CONTRACTOR SHALL SUBMIT A CERTIFIED REPORT INDICATING SYSTEM PERFORMANCE INCLUDING, BUT NOT LIMITED TO, VOLTAGE AND AMPERAGE MEASUREMENTS OF ALL EQUIPMENT GREATER THAN 1/3 H.P. WATER BALANCE MEASUREMENTS OF EACH COIL AND PUMP. AIR BALANCE MEASUREMENTS OF OUTSIDE AIR DELIVERY, AIR HANDLING UNIT SUPPLY, SUPPLY DIFFUSERS, EXHAUST AND RETURN GRILLES. AIR BALANCE SHALL BE WITHIN 10% OF DESIGN CONDITIONS. THE REPORT CERTIFICATION SHALL BE AS FOLLOWS:

I (name) of (company) CERTIFY THAT ALL MEASUREMENTS, FIGURES AND STATEMENTS INDICATED IN THIS REPORT WERE TAKEN BY ME OR UNDER MY SUPERVISION AND ARE ACCURATE AS OF (date). DESIGN FLOWS WERE BASED UPON PLANS DATED (xx/xx/xx).
- DUCT MATERIAL SHALL BE GALVANIZED OR ALUMINUM CONSTRUCTION IN ACCORDANCE WITH SMACNA DUCT CONSTRUCTION STANDARD 2005 FOR THE PRESSURE AND SEAL CLASS LISTED IN DUCTWORK/INSULATION SCHEDULE.
- DUCT SIZES LISTED ON PLANS ARE THE REQUIRED CLEAR INTERIOR DIMENSIONS.
- SUPPLY AND RETURN BRANCH DUCTS MAY BE INSULATED FLEX DUCT IF THE RUN IS LESS THAN 5 FEET IN LENGTH. ANY LENGTHS OVER 5 FEET SHALL BE RIGID DUCTWORK, DUCT SHALL BE THE SAME SIZE AS THE LISTED DIFFUSER THROUGH UNLESS NOTED OTHERWISE.
- PROVIDE VOLUME CONTROL DAMPERS WHERE INDICATED AND AT ALL TAKEOFFS, BOTH SUPPLY AND RETURN SYSTEMS, AND MAJOR DUCT RUNS. DAMPERS SHALL BE FACTORY-FABRICATED WITH ZINC-PLATED, DIE-CAST CONTROL HARDWARE. CONTROL HARDWARE SHALL INCLUDE HEAVY GAUGE DIAL AND HANDLE WITH ELEVATED PLATFORM FOR INSULATED DUCT MOUNTING.
- PROVIDE TURNING VANES IN ALL RECTANGULAR ELBOWS CONFORMING TO SMACNA DUCT CONSTRUCTION STANDARD 2005 FIG. 4-2 TYPE RE-3 WITH STANDARD RADIUS. WHERE SPACE PERMITS, PROVIDE RADIUS ELBOWS IN ACCORDANCE WITH FIGURES 4-2, TYPE RE-1.
- ALL RECTANGULAR MAIN TO RECTANGULAR BRANCH CONNECTIONS, BOTH CONVERGING AND DIVERGING CONFIGURATIONS, SHALL HAVE A 45 DEG. ENTRY TAP CONSTRUCTED IN ACCORDANCE WITH SMACNA DUCT CONSTRUCTION STANDARD 2005 FIG. 4-6.
- DIFFUSER PATTERN 4-WAY UNLESS OTHERWISE INDICATED. PROVIDE FIBERGLASS DUCT INSULATION WITH VAPOR BARRIER AS SCHEDULED UNLESS NOTED OTHERWISE.
- MECHANICAL CONTRACTOR TO REPAIR ANY DAMAGE DONE TO THE FIRE PROOFING WHILE INSTALLING THE MECHANICAL TRADES. SEAL ALL PENETRATIONS THROUGH RATED STRUCTURES WITH UL LISTED FIRE SEAL DESIGNED FOR THE SPECIFIED APPLICATION.
- THE CONTRACTOR SHALL TAKE ALL PRECAUTIONARY MEASURES TO PROTECT THE PUBLIC AND ADJACENT PROPERTIES FROM DAMAGE THROUGHOUT CONSTRUCTION.
- THE CONTRACTOR SHALL GUARANTEE ALL WORKMANSHIP AND MATERIALS FOR A PERIOD OF ONE (1) YEAR FROM THE DATE OF SUBSTANTIAL COMPLETION OR AS OTHERWISE REQUIRED IN THE SPECIFICATIONS.
- MECHANICAL CONTRACTOR TO INCLUDE THE TEST AND BALANCE, AND ANY PERMIT FEES IN THEIR BID.
- MECHANICAL CONTRACTOR SHALL VERIFY ALL ROOFTOP EQUIPMENT WEIGHTS, SIZES, LOCATIONS AND OPENINGS REQUIRED AND SHALL COORDINATE ANY CHANGES WITH THE ARCHITECT.
- UPON PROJECT COMPLETION, RECORD (AS-BUILT) DRAWINGS SHALL BE PROVIDED BY THE CONTRACTOR TO THE BUILDING OWNER. ALL CHANGES MADE TO EQUIPMENT, DUCTWORK, AND GENERAL DESIGN SHALL BE NOTED ON THE DRAWINGS. PROVIDE IN PDF FORMAT OR PRINTED SET AT THE OWNER'S REQUEST.

ABBREVIATIONS

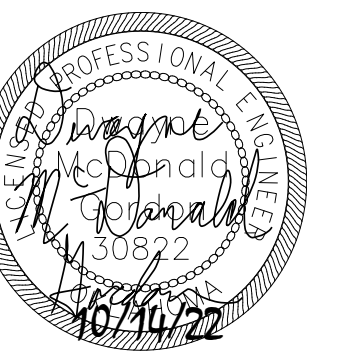
A	AMP	IN	INCH
ADD	ADDENDUM	LAT	LEAVING AIR TEMPERATURE
ADJ	ADJUSTABLE	LB	POUND
AFF	ABOVE FINISH FLOOR	LWT	LEAVING WATER TEMPERATURE
AHU	AIR HANDLER UNIT	MAX	MAXIMUM
AI	ANALOG INPUT	MBH	1000 BTU PER HOUR
ALT	ALTERNATE	MC	MECHANICAL CONTRACTOR
AO	ANALOG OUTPUT	MCA	MINIMUM CIRCUIT AMPS
APPRX	APPROXIMATE	MECH	MECHANICAL
ARCH	ARCHITECT, ARCHITECTURAL	MIN	MINIMUM
BDD	BACK DRAFT DAMPER	MFR	MANUFACTURER
BLDG	BUILDING	NTS	NOT TO SCALE
BTUH	BRITISH THERMAL UNIT PER HOUR	OA	OUTSIDE AIR
C	CENTER	OC	ON CENTER
CD	CEILING DIFFUSER	P	PUMP
CFM	CUBIC FEET PER MINUTE	PC	PLUMBING CONTRACTOR
CO	CLEAN OUT	PLBG	PLUMBING
COND	CONDENSATE	PSI	POUNDS PER SQUARE INCH
CONT	CONTINUOUS	QTY	QUANTITY
COP	COEFFICIENT OF PERFORMANCE	RA	RETURN AIR
DB	DRY BULB	REQD	REQUIRED
DET	DETAIL	REV	REVERSE OR REVISION
DG	DOOR GRILLE	RG	RETURN AIR GRILLE
DI	DIGITAL INPUT	RPM	REVOLUTIONS PER MINUTE
DIA OR Ø	DIAMETER	RTU	ROOF TOP UNIT
DIM	DIMENSION	SA	SUPPLY AIR
DN	DOWN	SOFT	SQUARE FEET
DD	DIGITAL OUTPUT	SG	SUPPLY GRILLE
DWG	DRAWING	SP	STATIC PRESSURE SPECIFICATIONS
EA	EXHAUST AIR	SS	STAINLESS STEEL
EAT	ENTERING AIR TEMPERATURE	T&B	TEST AND BALANCE
EC	ELECTRICAL CONTRACTOR	TEMP	TEMPERATURE OR TEMPORARY
EER	ENERGY EFFICIENCY RATIO	TG	TRANSFER GRILLE
EF	EXHAUST FAN	TYP	TYPICAL
EG	EXHAUST GRILLE	V	VOLT
ELEC	ELECTRICAL	VAR	VARIABLE OR VARIES
ERV	ENERGY RECOVERY VENTILATOR	VEL	VELOCITY
ESP	EXTERNAL STATIC PRESSURE	VFD	VARIABLE FREQUENCY DRIVE
EWT	ENTERING WATER TEMPERATURE	VTR	VENT THRU ROOF
EXIST	EXISTING	W/	WITH
FA	FRESH AIR	W/IN	WITHIN
FPM	FEET PER MINUTE	W/O	WITHOUT
FT	FOOT (FEET)	WB	WET BULB
GA	GAUGE/GAGE	WC	WATER COLUMN (INCHES OF)
GALV	GALVANIZED	WT	WEIGHT
GC	GENERAL CONTRACTOR		
GPM	GALLONS PER MINUTE		
GYP	GYPSUM		
HORIZ	HORIZONTAL		
HP	HORSEPOWER		
HT	HEIGHT		
I/O	INPUT/OUTPUT		

MECHANICAL HVAC LEGEND

EXHAUST AIR DUCT (DOWN)			EXHAUST AIR DUCT (UP)
RETURN AIR DUCT (DOWN)			RETURN AIR DUCT (UP)
OUTSIDE OR SUPPLY AIR DUCT (DOWN)			OUTSIDE OR SUPPLY AIR DUCT (UP)
DUCT SIZE			NEW DUCTWORK
FLEX DUCT			EXISTING DUCTWORK
DEMOLITION LINETYPE			SUPPLY AIR CEILING DIFFUSER
RETURN AIR GRILLE			EXHAUST AIR GRILLE
DIFFUSER, GRILLE, AND REGISTER CALL-OUTS			SCHEDULED EQUIPMENT TAG
MANUAL BALANCING DAMPER			PIPE PENETRATION THROUGH FIRE RATED WALL
FIRE DAMPER			SMOKE DAMPER
MOTORIZED DAMPER			FIRE/SMOKE DAMPER
THERMOSTAT			HUMIDISTAT
REMOTE SENSOR			CARBON DIOXIDE SENSOR
DUCT SMOKE DETECTOR			CARBON MONOXIDE SENSOR

MECHANICAL SHEET INDEX

M000	MECHANICAL LEGEND AND NOTES
M101	MECHANICAL DUCTWORK PLAN
M102	MECHANICAL ROOF PLAN
M501	MECHANICAL DETAILS
M502	MECHANICAL DETAILS
M601	MECHANICAL SCHEDULES



ZAK
drawn by
DMG
checked by
OCTOBER 2022
date
revisions



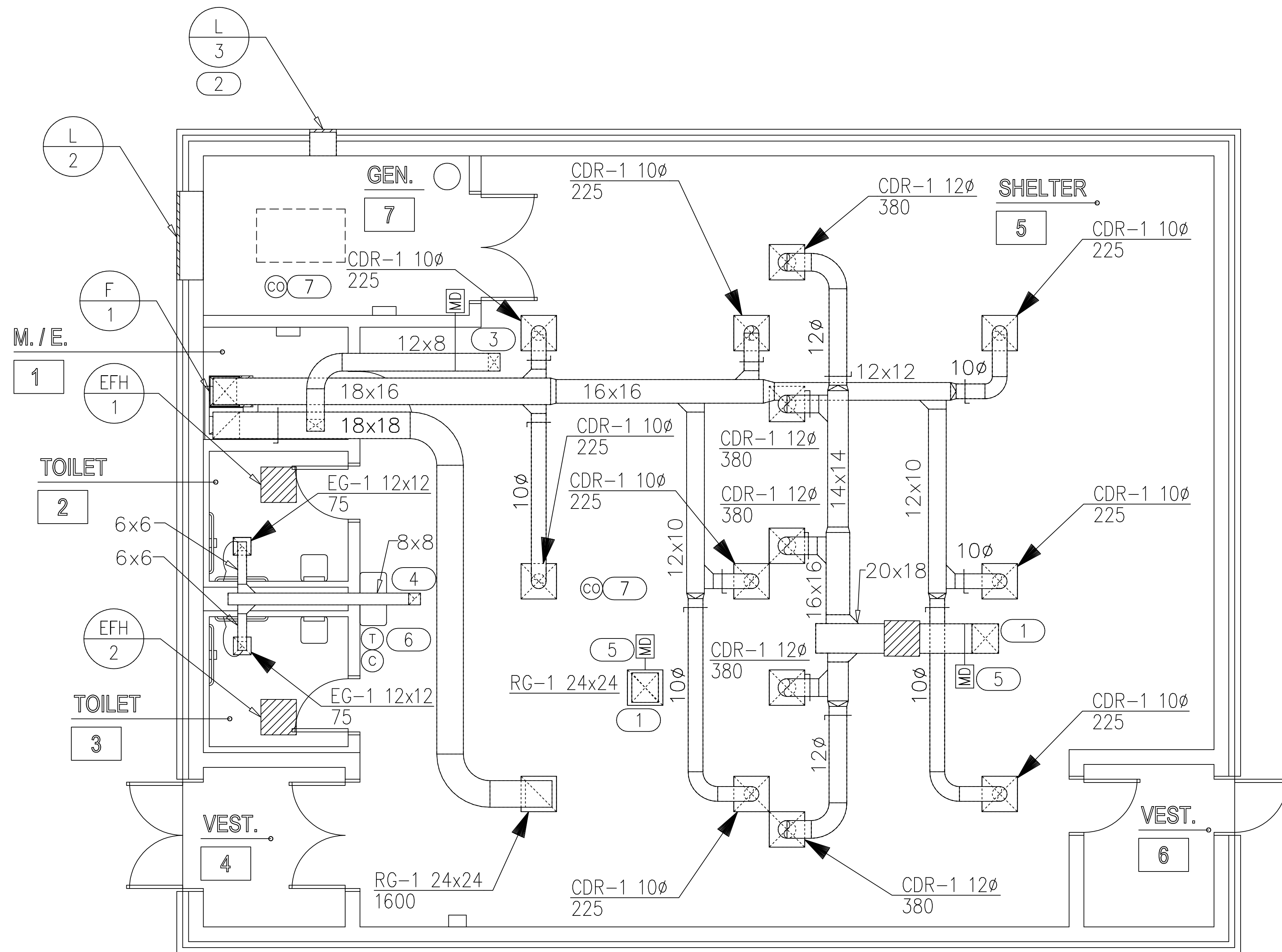
sheet no:

M101

OWNERSHIP USE OF DOCUMENTS:
AGP EXPRESSLY RESERVES ITS
COPYRIGHT AND OTHER PROPERTY
RIGHTS OF ALL PLANS AND DRAWINGS
DESIGNED AND/OR PRODUCED. PLANS
AND DRAWINGS ARE NOT TO BE
REPRODUCED IN ANY FORM OR MANNER
WITHOUT THE EXPRESSED WRITTEN
CONSENT OF AGP.

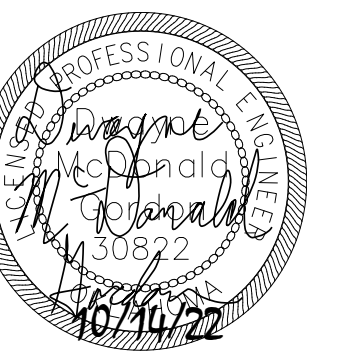
GENERAL NOTES	
1.	COORDINATE INSTALLATION OF EQUIPMENT AND DUCTWORK WITH ALL TRADES.
2.	COORDINATE LOCATION OF THERMOSTATS WITH E.C. ROUGH-IN BY E.C.
3.	ALL PENETRATIONS OVER 3 1/2 SQUARE INCHES OR 2 1/16 INCHES IN DIAMETER IN/OUT OF SHELTER REQUIRE SHROUD. REFER TO STRUCTURAL FOR ALL SHROUD DETAILS.
4.	MC IS RESPONSIBLE TO ALL STRUCTURAL REQUIRED PENETRATION PROTECTION ITEMS FOR ALL MECHANICAL SYSTEMS PENETRATING THE SHELTER.
5.	E.C. TO PROVIDE, LOCATE, AND INSTALL SWITCH FOR EMERGENCY VENTILATION FAN. M.C. SHALL PROVIDE CALL OUT LETTERING "EMERGENCY VENTILATION" ON PLACARD ABOVE SWITCH WITH 3/4" LETTERING FOR INSTALLATION BY GC. COORDINATE WITH GC AND EC.

KEYED NOTES	
1	ROOF HOOD IS PART OF EMERGENCY VENTILATION SYSTEM. DUCT UP 20X18 TO TRANSITION INTO ROOF HOOD OPENING 20X30.
2	L-3 SHOWS LOCATION OF GENERATOR EXHAUST. SEAL OPENING CONNECTION.
3	DUCT UP 12X8 TO CONNECT TO ROOF HOOD. PROVIDE SHROUD AT SHELTER PENETRATION.
4	DUCT UP 8X8 TO CONNECT TO EXHAUST FAN. PROVIDE SHROUD AT SHELTER PENETRATION.
5	MOTORIZED DAMPER TO BE 277V CONNECTED TO EMERGENCY POWER. DAMPER SHALL OPEN WHEN SUPPLY FAN TURNS ON.
6	PROVIDE LOCKABLE COVER FOR THERMOSTAT.
7	CARBON MONOXIDE DETECTOR TO BE INSTALLED ACCORDING TO ALL APPLICABLE CODES. DETECTOR SHALL BE INSTALLED CENTRALLY ON CEILING. ALSO INCLUDE BATTERY BACKUP IN EVENT PRIMARY POWER IS INTERRUPTED. ALARM SIGNAL SHALL BE ROUTED TO ADMINISTRATION OFFICE. COORDINATE WITH E.C. WITH PRIMARY POWER CONNECTION AND SYSTEM CONNECTION.



1 SAFEROOM FLOOR PLAN
1/4" = 1'-0"





ZAK
drawn by
DMG
checked by
OCTOBER 2022
date
revisions

MOORE PUBLIC SCHOOLS
BOARD OF EDUCATION
MOORE, OKLAHOMA



NEW ADDITION
KELLEY ELEMENTARY
SCHOOL

sheet no:

M102

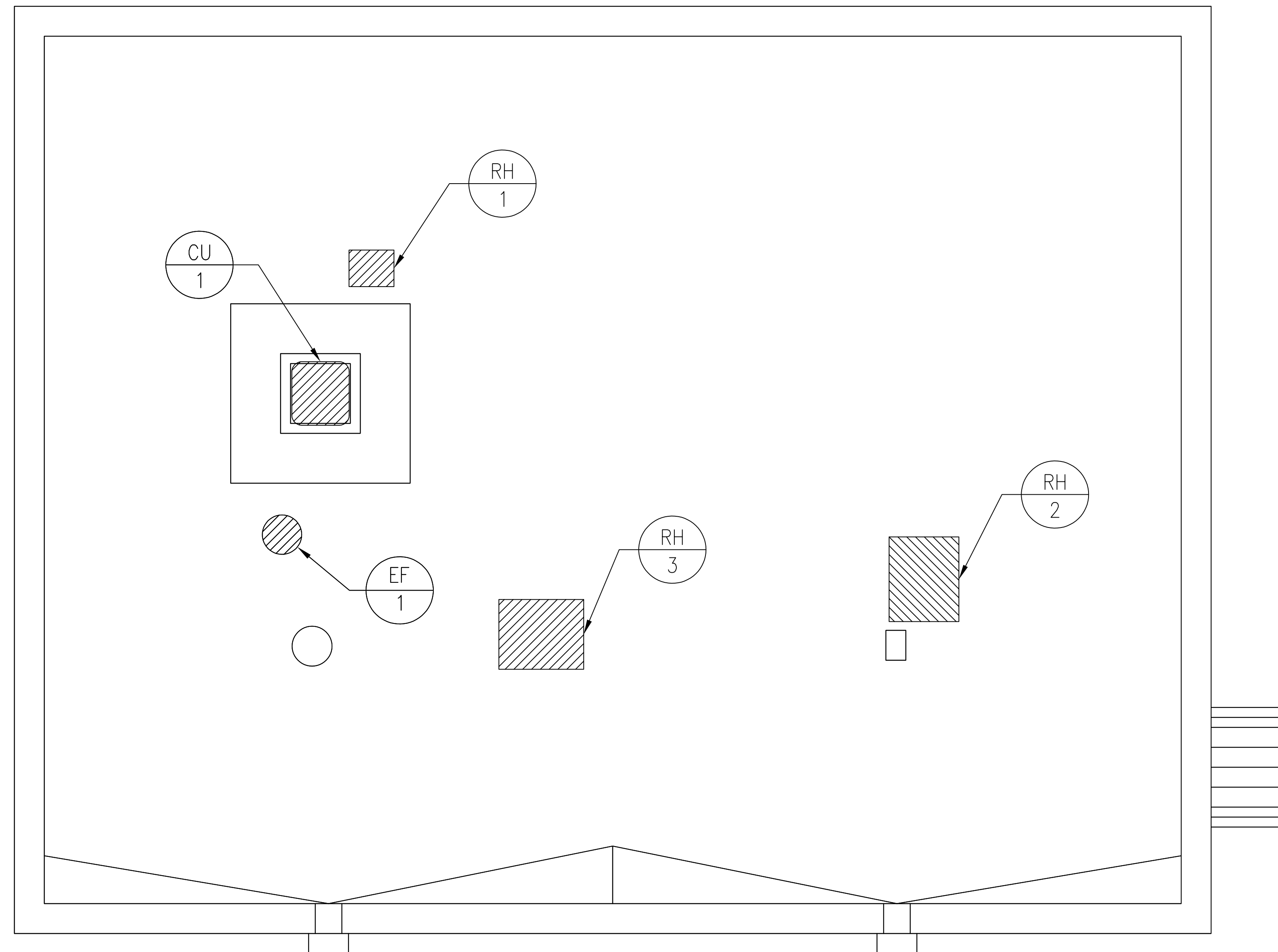
SALAS O'BRIEN
[expect a difference]

2600 Van Buren St., Suite 2635
Norman, Oklahoma 73072
P: 405.364.9926 | CA#:7058 Expiration Date: 6/30/2023

Salas O'Brien Project No.: 2022-04164-00

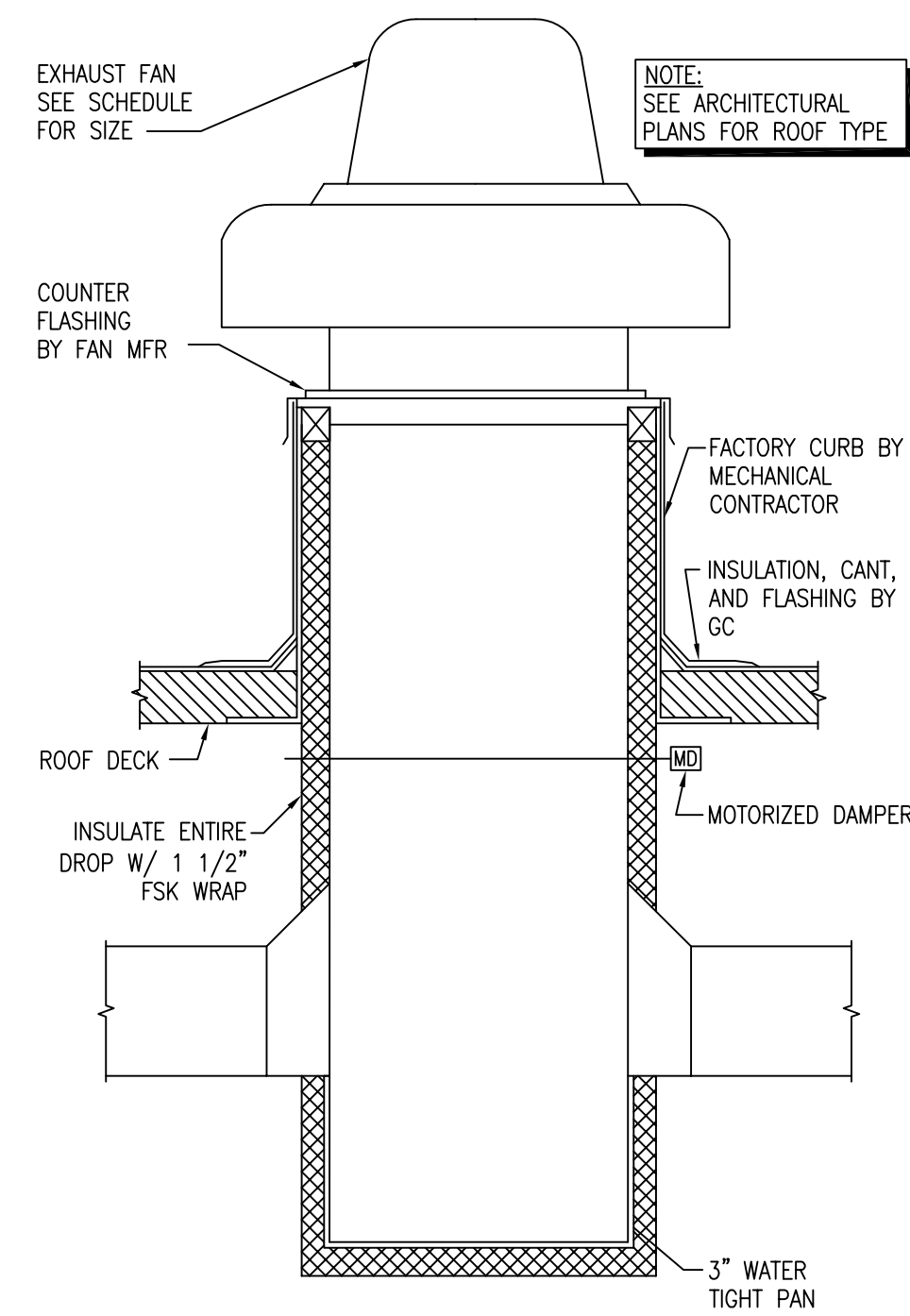
OWNERSHIP USE OF DOCUMENTS:
AGP EXPRESSLY RESERVES ITS
COPYRIGHT AND OTHER PROPERTY
RIGHTS OF ALL PLANS AND DRAWINGS
DESIGNED AND/OR PRODUCED. PLANS
AND DRAWINGS ARE NOT TO BE
REPRODUCED IN ANY FORM OR MANNER
WITHOUT THE EXPRESSED WRITTEN
CONSENT OF AGP.

- GENERAL NOTES**
- ALL ROOF TOP EQUIPMENT TO BE LOCATED A MINIMUM OF 10'-0" AWAY FROM ROOF EDGE.
 - MAINTAIN A MINIMUM OF 10'-0" HORIZONTAL CLEARANCE BETWEEN ALL EXHAUST OUTLETS AND ANY FRESH AIR INTAKES.
 - MOUNT ROOF CURBS LEVEL ON PITCHED ROOF.
 - ALL ROOF SUPPORT SYSTEMS ARE TO BE MANUFACTURED FOR THE ROOF MATERIAL/SYSTEM TO BE INSTALLED. REFER TO ARCH PLANS FOR THE ROOF SYSTEM. CURB INSTALLATION TO BE WARRANTED BY ROOFING CONTRACTOR.
 - ALL PENETRATIONS OVER 3 1/2 SQUARE INCHES OR 2 1/16 INCHES IN DIAMETER IN/OUT OF THE SHELTER REQUIRE SHROUD. REFER TO STRUCTURAL FOR ALL SHROUD DETAILS.
 - MC IS RESPONSIBLE FOR ALL STRUCTURAL REQUIRED PENETRATION PROTECTION ITEMS FOR ALL MECHANICAL SYSTEMS PENETRATING THE SHELTER.

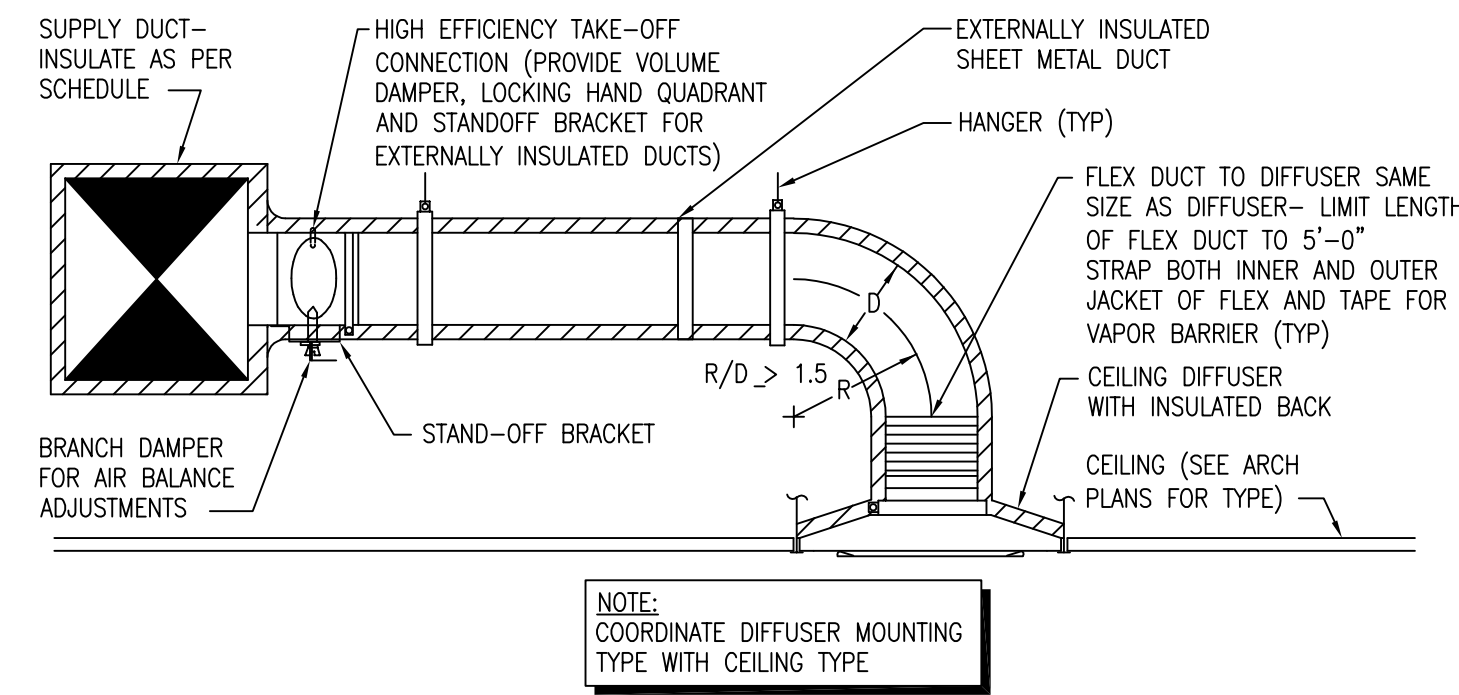


1 SAFEROOM ROOF PLAN
1/4" = 1'-0"

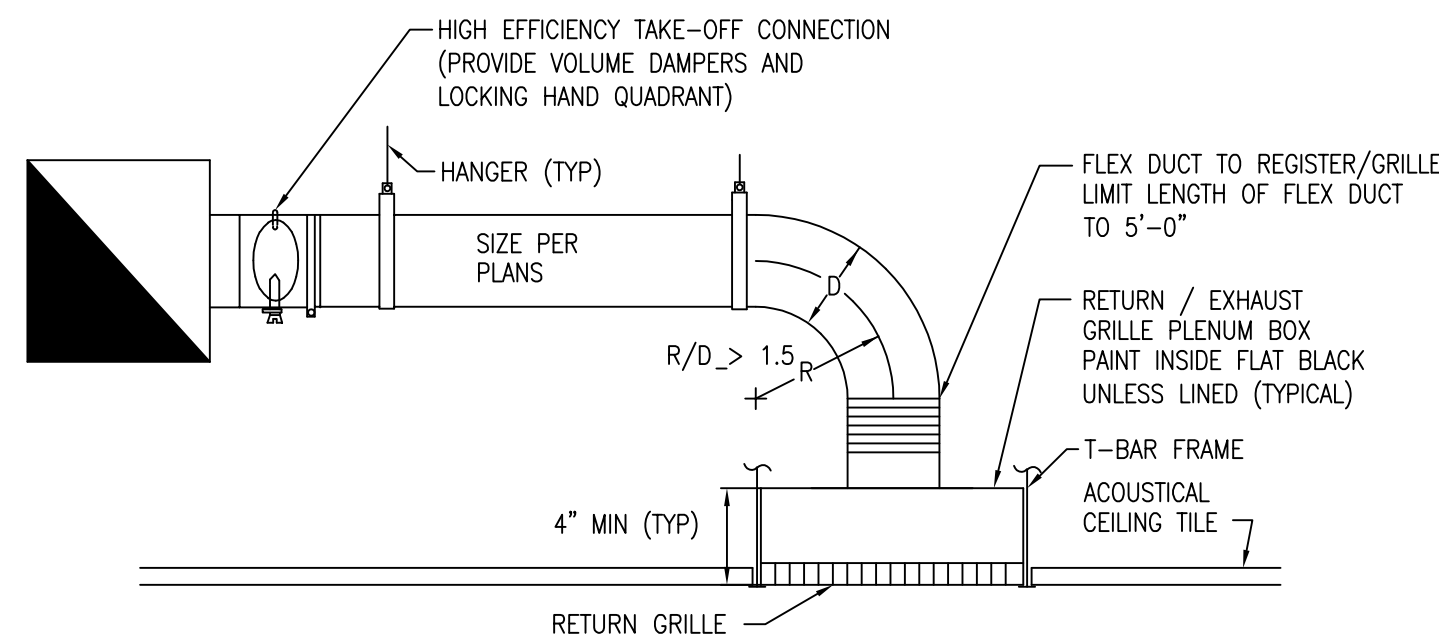




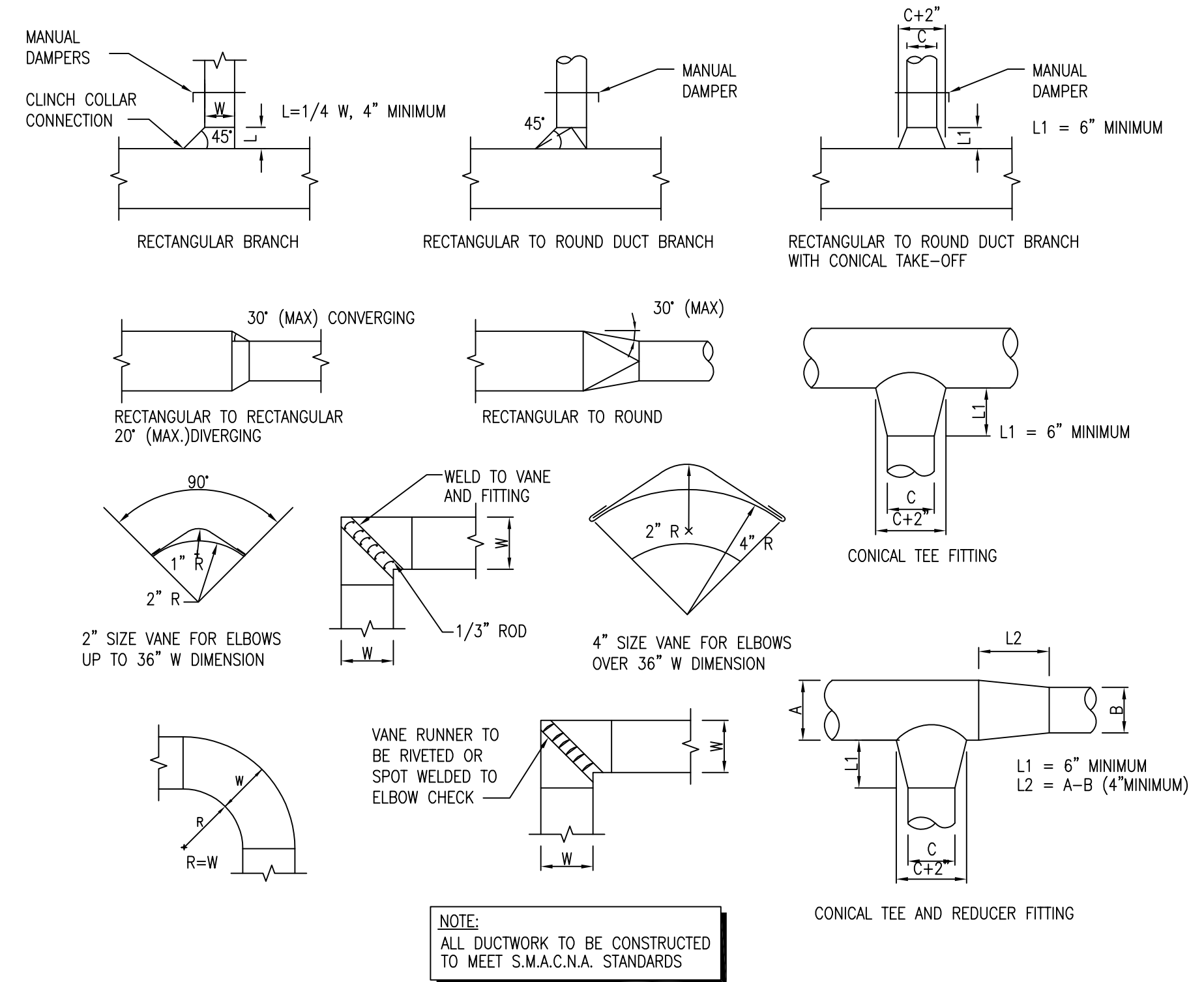
4 POWER ROOF VENTILATOR DETAIL
NOT TO SCALE



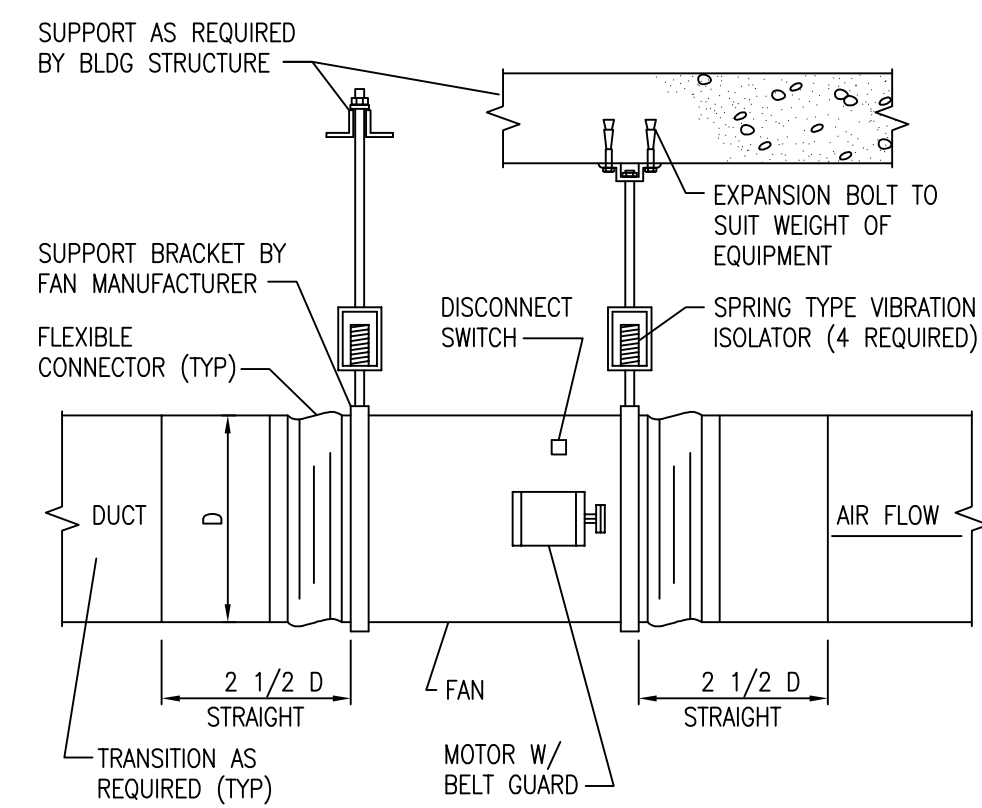
2 CEILING DIFFUSER DETAIL
NOT TO SCALE



3 RETURN / EXHAUST AIR GRILLE PLENUM BOX
NOT TO SCALE

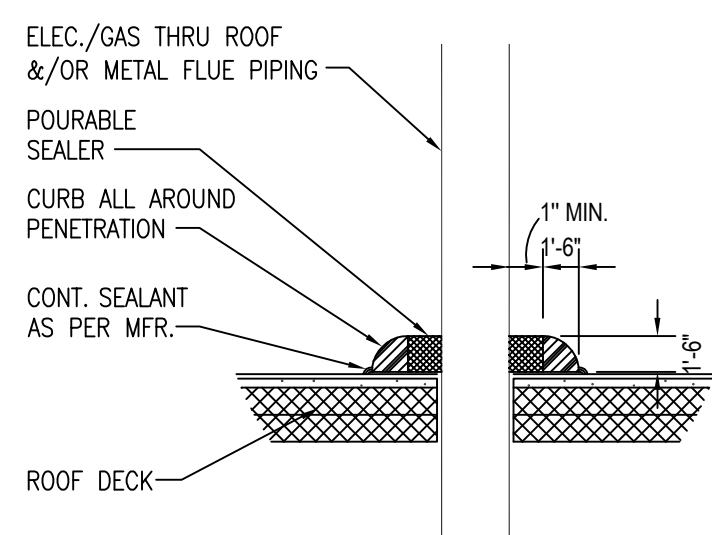


1 TYPICAL DUCTWORK DETAILS
NOT TO SCALE

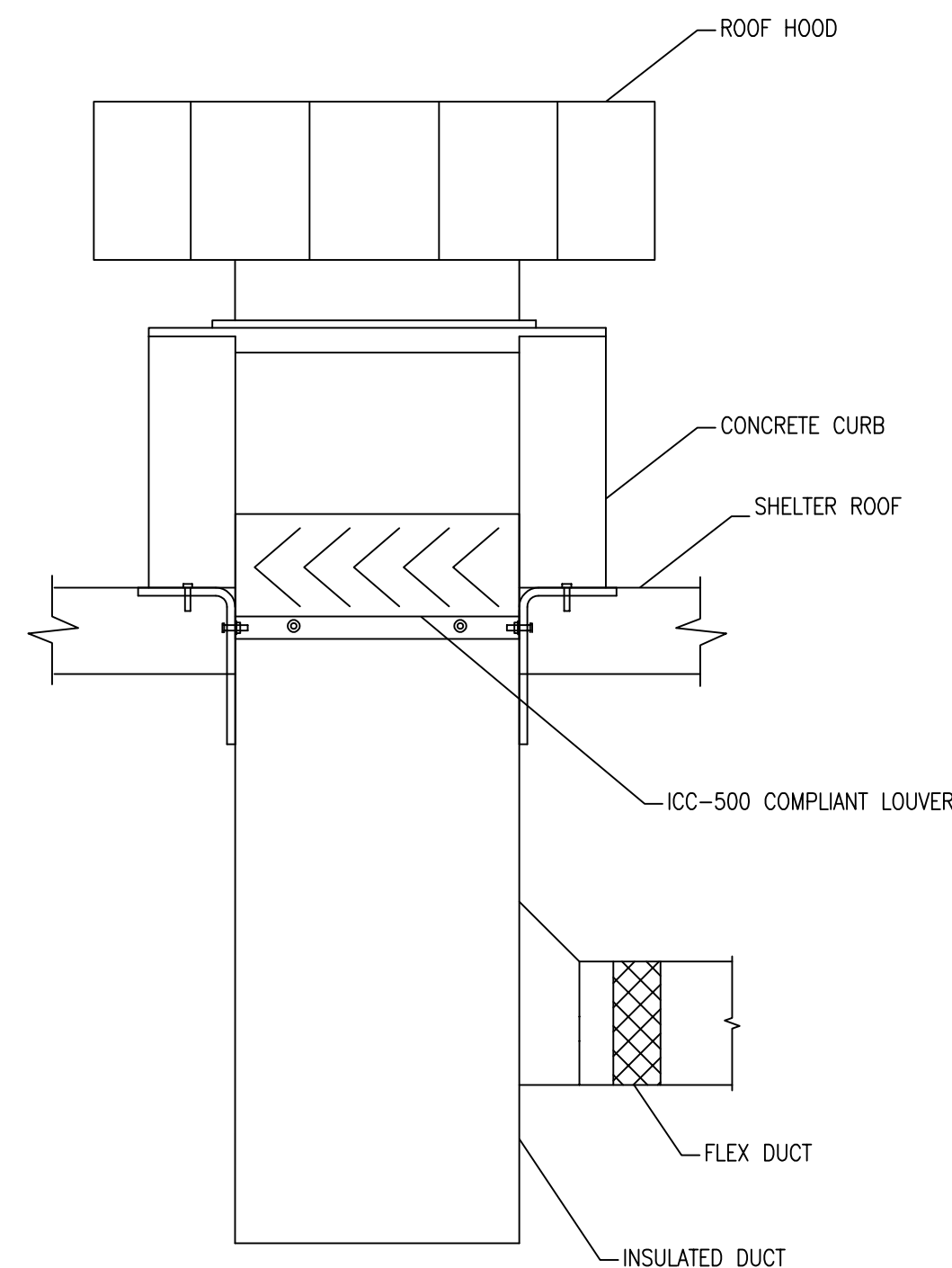


8 IN-LINE FAN MOUNTING DETAIL
NO SCALE

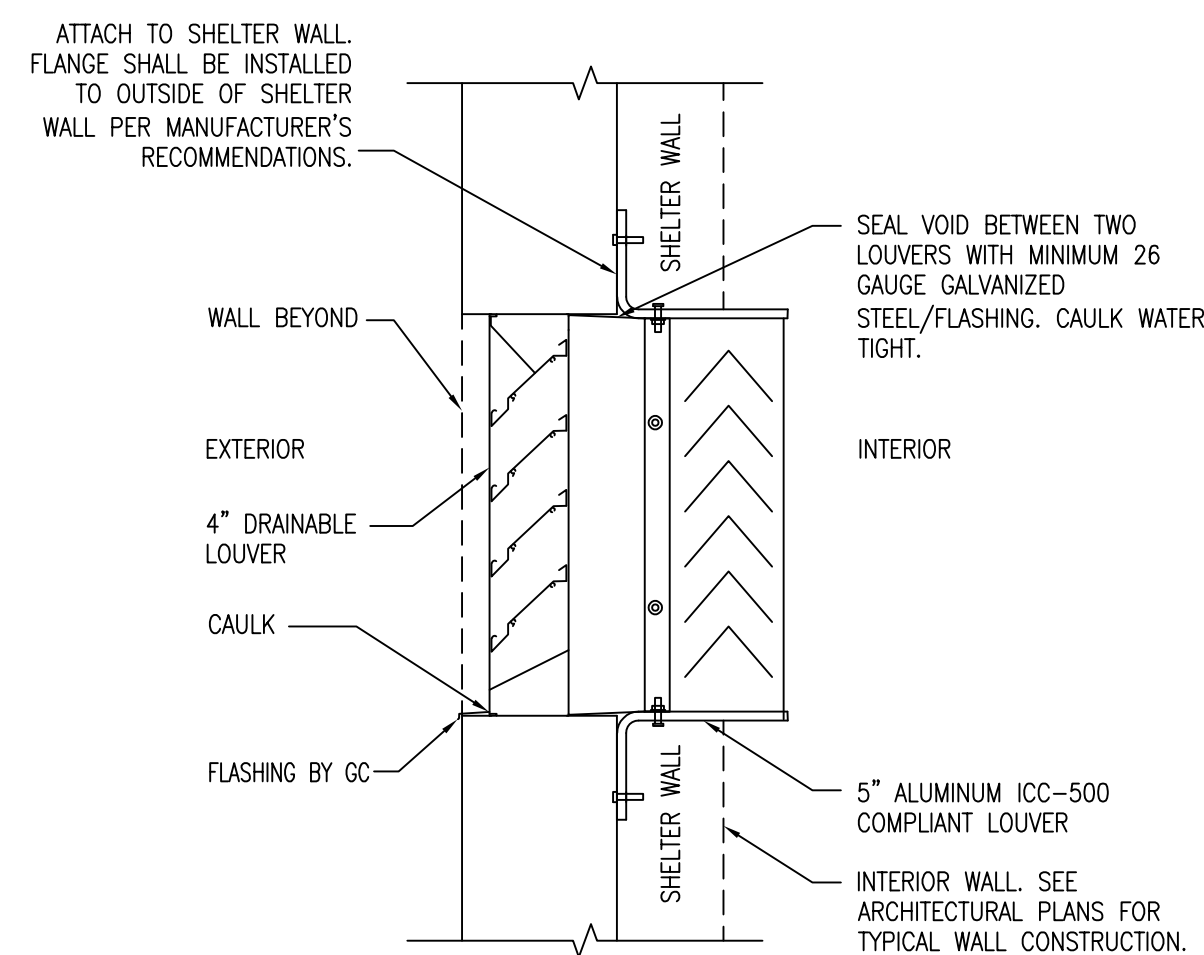
- NOTES:
- FAN AND DUCTS MUST BE ALIGNED.
 - FLEXIBLE CONNECTORS TO BE ROLLED WITH FABRIC TO THE OUTSIDE.
 - FLEXIBLE CONNECTOR MUST BE STRETCHED TIGHT.



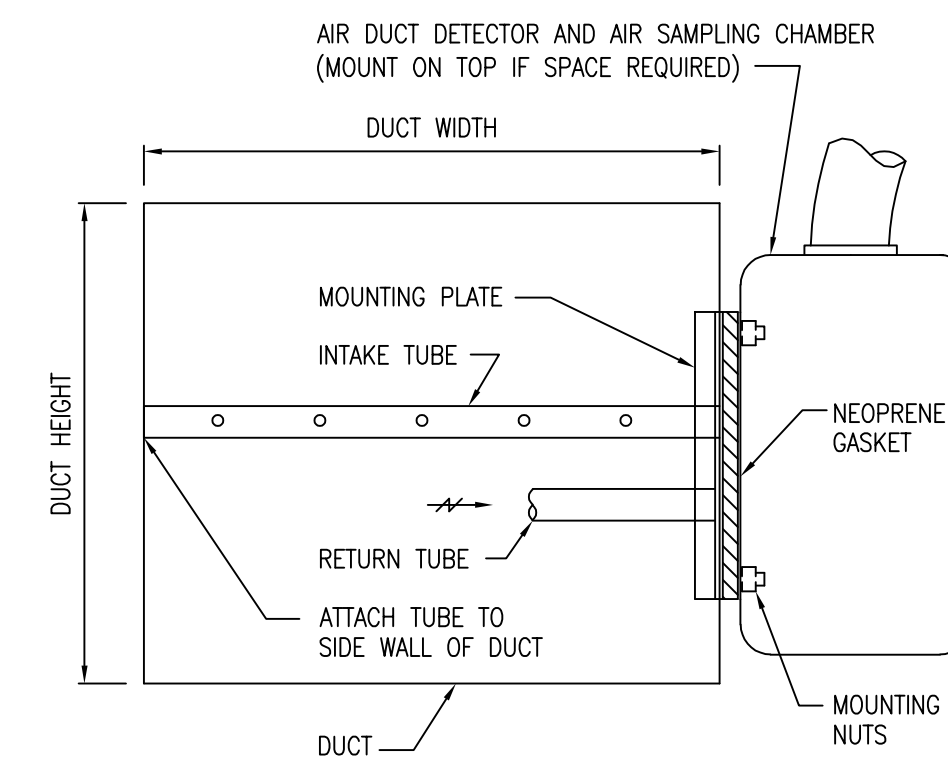
9 SEALER POCKET DETAIL
NOT TO SCALE



7 LOUVER/ ROOF HOOD DETAIL
NOT TO SCALE



6 LOUVER GENERATOR BUILDING
NOT TO SCALE



- NOTES:
- SMOKE DETECTOR FURNISHED AND WIRED BY ELECTRICAL CONTRACTOR, AND MOUNTED BY MECHANICAL CONTRACTOR.
 - INSTALL IN STRICT ACCORDANCE WITH MANUFACTURER'S INSTALLATION INSTRUCTIONS.
 - PROVIDE ACCESS DOOR AT SAMPLING TUBES.
 - THE TUBE SHALL BE INSTALLED PARALLEL TO LONG DIMENSION OF DUCT.
 - PRODUCT SHALL BE UL555 OR UL555S LISTED.
 - EC SHALL TEST ACCORDING TO UL AND CODES IN THE PRESENCE OF CODE AUTHORITY.

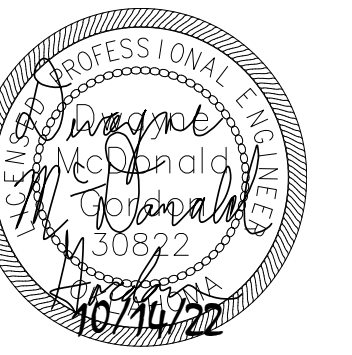
5 SMOKE DETECTOR MOUNTING DETAIL
NOT SCALE



ZAK
drawn by
DMG
checked by
OCTOBER 2022
date
revisions



sheet no:



ZAK

drawn by

DMG

checked by

OCTOBER 2022

date

revisions

MOORE PUBLIC SCHOOLS
BOARD OF EDUCATION
MOORE, OKLAHOMA



NEW ADDITION
KELLEY ELEMENTARY
SCHOOL

sheet no:

M502

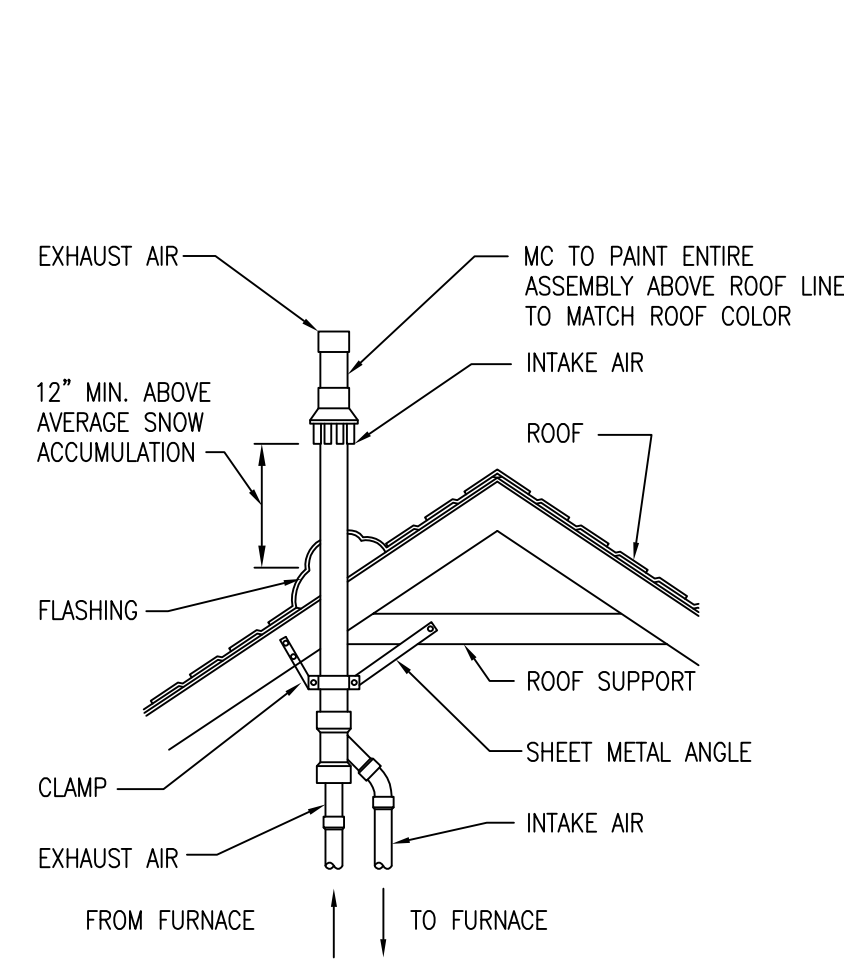


2600 Van Buren St., Suite 2635
Norman, Oklahoma 73072
P: 405.364.9926 | CA#:7058 Expiration Date: 6/30/2023

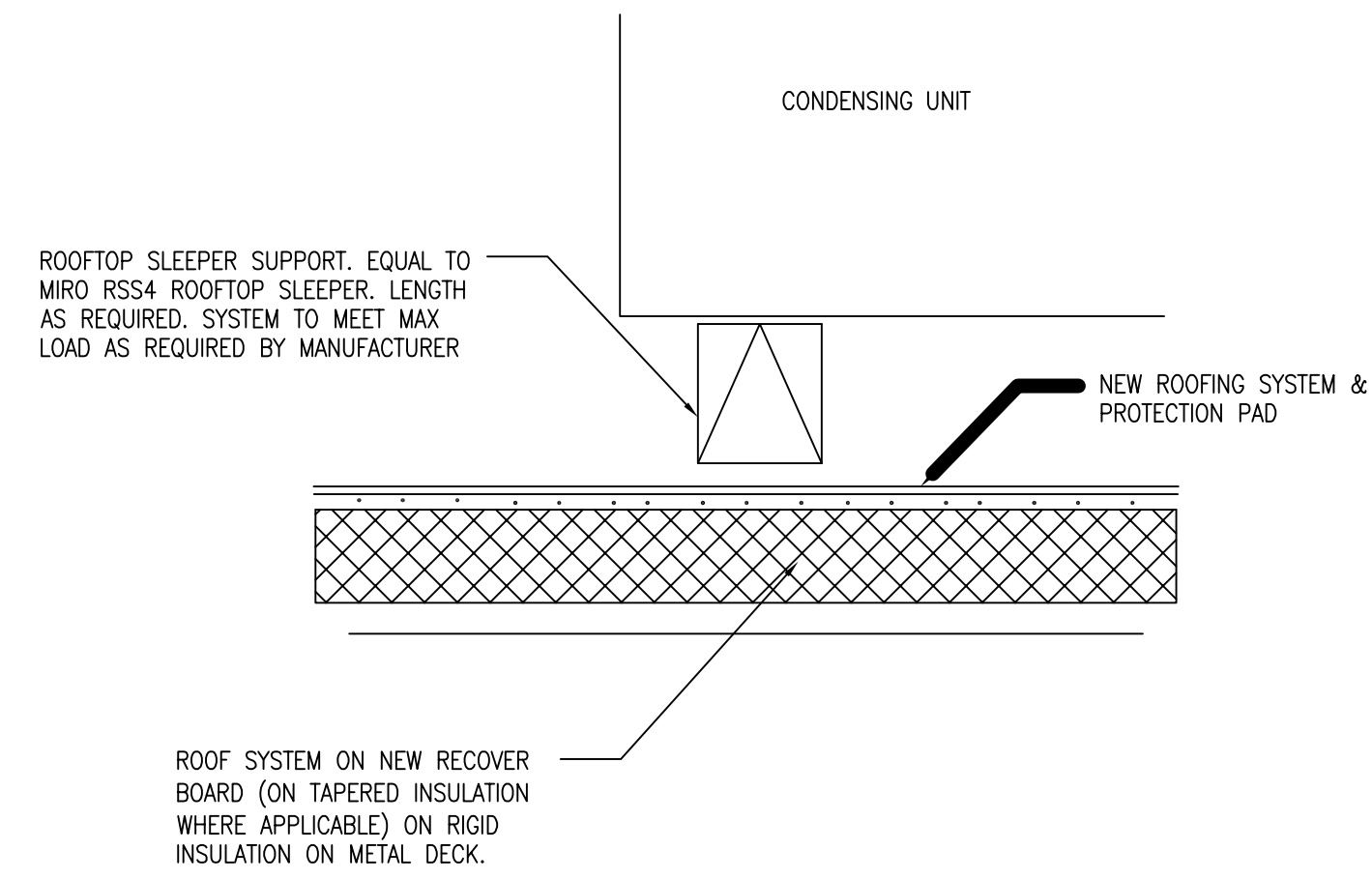
Salas O'Brien Project No.: 2022-04164-00

OWNERSHIP USE OF DOCUMENTS:

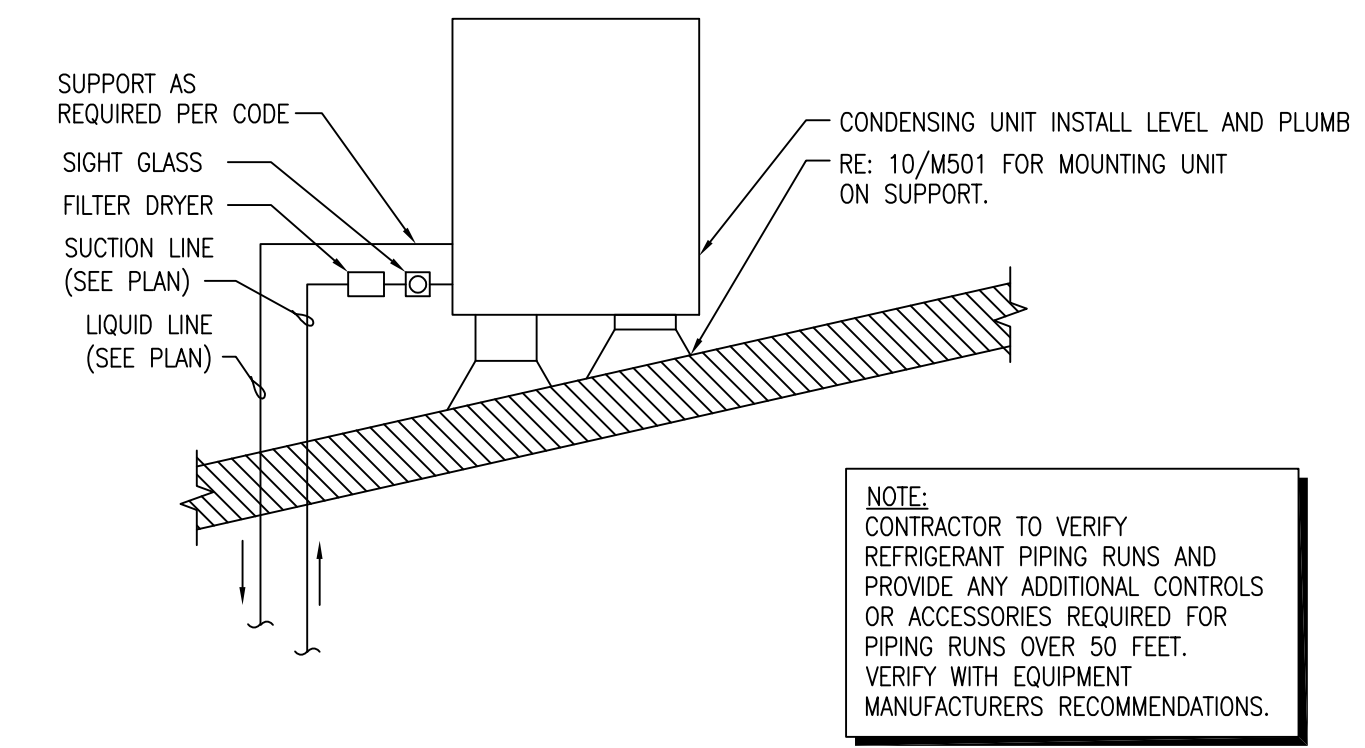
AGP EXPRESSLY RESERVES ITS
COPYRIGHT AND OTHER PROPERTY
RIGHTS OF ALL PLANS AND DRAWINGS
DESIGNED AND/OR PRODUCED. PLANS
AND DRAWINGS ARE NOT TO BE
REPRODUCED IN ANY FORM OR MANNER
WITHOUT THE EXPRESSED WRITTEN
CONSENT OF AGP.



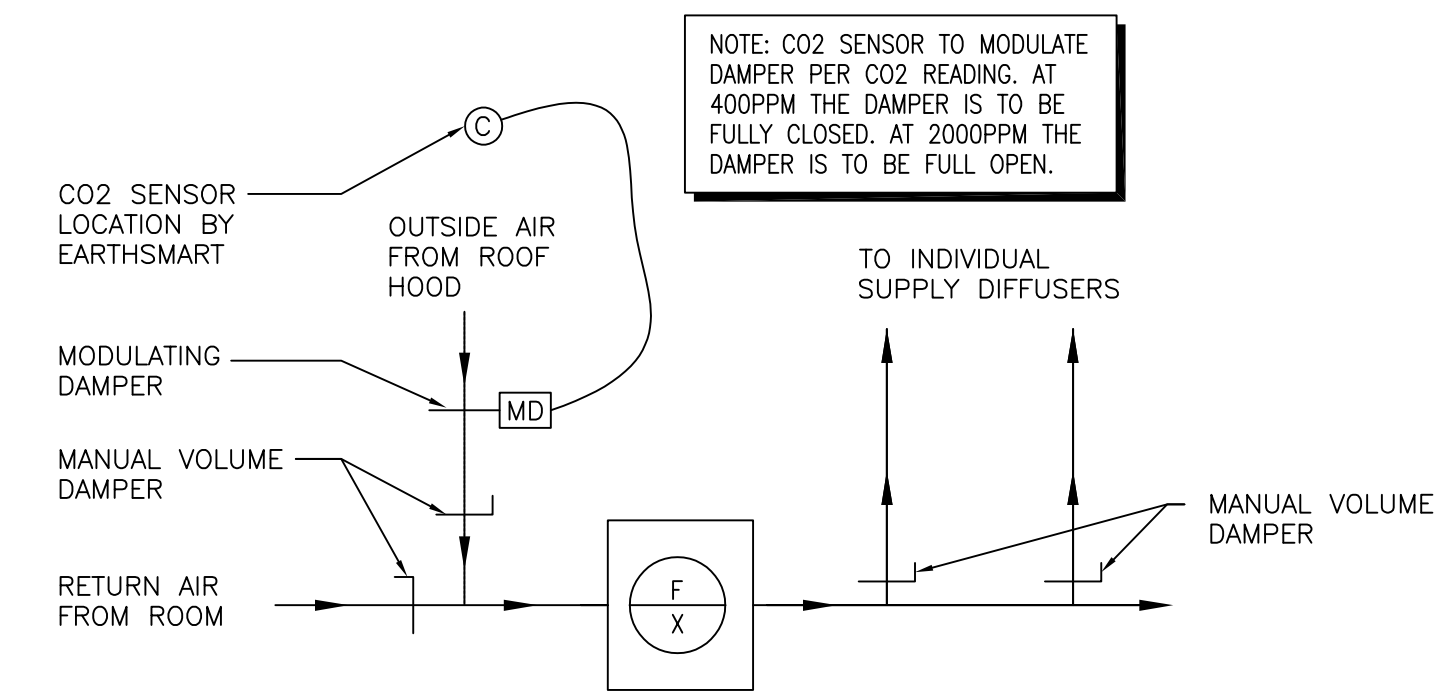
3 VENT TERMINATION DETAIL
NOT TO SCALE



2 CONDENSING UNIT ROOF SUPPORT
NOT TO SCALE



1 CONDENSING UNIT MOUNTING DETAIL
NOT TO SCALE



4 TYPICAL FURNACE AIR BALANCING SCHEMATIC
NOT TO SCALE



GRILLE, REGISTER, AND DIFFUSER SCHEDULE					
PLAN SYMBOL	DESCRIPTION	MANUFACTURER & MODEL NO.	MATERIAL	FINISH	NOISE CRITERIA
CDR-1	ROUND NECK, 4-WAY DEFLECTION CEILING DIFFUSER, ADJUSTABLE CORE, FOR LAY-IN CEILING INSTALLATION.	PRICE SCD (4C)	STEEL	WHITE	-
EG-1	12X12 SQUARE, FIXED CORE OF 1/2"X1/2"X1/2" FABRICATED ALUMINUM SQUARES, FLAT FRAME WITH 1 1/4" MARGIN, FOR CEILING INSTALLATION.	PRICE 80	ALUMINUM	WHITE	-
RG-1	24X24 SQUARE PATTERN GRILLE, FIXED CORE OF 1/2"X1/2"X1/2" FABRICATED ALUMINUM SQUARES, FLAT FRAME WITH 1 1/4" MARGIN, FOR LAY-IN CEILING INSTALLATION.	PRICE 80	ALUMINUM	WHITE	-

NOTES:
M.C. IS RESPONSIBLE FOR PROVIDING ANY AND ALL NECESSARY DIMENSIONAL, ELECTRICAL, MECHANICAL, AND STRUCTURAL ALTERATIONS NECESSITATED BY PROVIDING ALTERNATE EQUIPMENT.
SEE PLANS FOR QUANTITY AND SIZES.
M.C. TO FIELD VERIFY CEILING TYPE FOR ALL GRD BEFORE PURCHASING EQUIPMENT. PROVIDE REQUIRED MOUNTING.

LOUVER SCHEDULE										
L #	CONNECTED TO	SIZE (IN)	MINIMUM FREE AREA (FT²)	FLANGE	CONSTRUCTION	INCLUDE MOD	MANUFACTURER AND MODEL NUMBER	COMMENTS	NOTES	
1	EMERG. VENT	-	-	YES	ALUMINUM	-	GREENHECK AFL-501	5" FEMA RATED LOUVER	-	
2	GEN ENCLOSURE	60X72	14.98	YES	ALUMINUM	-	GREENHECK AFL-501	5" FEMA RATED LOUVER- PROVIDE ADDITIONAL DRAINABLE LOUVER (GREENHECK ESD-403)	1,3	
3	GEN ENCLOSURE	18X18	0.71	YES	ALUMINUM	-	GREENHECK AFL-501	5" FEMA RATED LOUVER- PROVIDE ADDITIONAL DRAINABLE LOUVER (GREENHECK ESD-403)	1,3	

NOTES:
M.C. IS RESPONSIBLE FOR PROVIDING ANY AND ALL NECESSARY DIMENSION, ELECTRICAL, MECHANICAL, AND STRUCTURAL ALTERATIONS NECESSITATED BY PROVIDING ALTERNATE EQUIPMENT.
1. PROVIDE PAINTED KYMAR FINISH COLOR BY ARCHITECT.
2. PROVIDE SLIP FIT COLLAR.
3. PROVIDE BIRD SCREEN.

EXHAUST FAN SCHEDULE															
EF #	LOCATION	SYSTEM	CFM	SP	FAN RPM	MOTOR H.P.	ELEC CHAR	AMPS	DAMPER BDD OR MOD	DRIVE	FAN TYPE	INTERLOCK/CONTROL	WEIGHT	MANUFACTURER & MODEL NUMBER	NOTES
1	ROOF	EXHAUST	150	0.5	1253	1/4	120/1	3.8	MOD	DIRECT	PRV	SWITCH	38	GREENHECK G-097-VG	1-3

NOTES:
M.C. IS RESPONSIBLE FOR PROVIDING ANY AND ALL NECESSARY DIMENSIONAL, ELECTRICAL, MECHANICAL, AND STRUCTURAL ALTERATIONS NECESSITATED BY PROVIDING ALTERNATE EQUIPMENT.
1. PROVIDE ELECTRONIC SPEED CONTROL MOUNTED ABOVE ACCESSIBLE CEILING.
2. M.C. SHALL PROVIDE LOW VOLTAGE MOTORIZED DAMPER.
3. OPERATION OF DEVICE ON OCCUPIED MODE OF RTU OR SWITCH WITH LIGHTS. SEE INTERLOCK/CONTROL COLUMN FOR TYPE.

ROOF HOOD SCHEDULE							
RH #	THROAT SIZE DIMENSION (IN)	THROAT AREA (FT²)	DAMPER BDD OR MOD	CONSTRUCTION	MANUFACTURER & MODEL NO.	COMMENTS	NOTES
1	12X8	0.67	MOD	ALUMINUM	GREENHECK FGI	COLOR BY ARCHITECT	1-3
2	20X30	4.17	MOD	ALUMINUM	GREENHECK FGI	COLOR BY ARCHITECT	1-3
3	20X30	4.17	MOD	ALUMINUM	GREENHECK FGI	COLOR BY ARCHITECT	1-3

NOTES:
M.C. IS RESPONSIBLE FOR PROVIDING ANY AND ALL NECESSARY DIMENSION, ELECTRICAL, MECHANICAL, AND STRUCTURAL ALTERATIONS NECESSITATED BY PROVIDING ALTERNATE EQUIPMENT.
1. M.C. TO PROVIDE ROOF HOOD WITH ALUMINUM BIRDSCREEN.
2. M.C. SHALL PROVIDE ROOF CURB. CURB INSTALLATION BY G.C.
3. M.C. SHALL PROVIDE 277 V MOTORIZED DAMPER TO OPERATE ON THE INVERTER SYSTEM. COORDINATE WITH E.C.

ELECTRIC FAN FORCED HEATER SCHEDULE												
EFH #	ROOM NO.	CFM	WALL OR CEILING	KW	MOUNTING	ELECTRICAL CHAR	AMPS	SPEEDS	CONTROL	RPM	MANUFACTURER & MODEL NUMBER	NOTES
1	RR	300	CEILING	2	RECESSED	208/1	9.6	1	INT STAT	1400	BERKO FFCH-548	1-3
2	RR	300	CEILING	2	RECESSED	208/1	9.6	1	INT STAT	1400	BERKO FFCH-548	1-3

NOTES:
M.C. IS RESPONSIBLE FOR PROVIDING ANY AND ALL NECESSARY DIMENSION, ELECTRICAL, MECHANICAL, AND STRUCTURAL ALTERATIONS NECESSITATED BY PROVIDING ALTERNATE EQUIPMENT.
1. PROVIDE INTERNAL THERMOSTAT.
2. RECESSED MOUNTED UNIT. PROVIDE RECESSED MOUNTING KIT.
3. MANUFACTURER PROVIDED BUILT-IN DISCONNECT.

DUCTWORK/INSULATION SCHEDULE											
SYSTEM	LOW PRESSURE SEAL			MED. PRESS. MAX PRES.	HIGH PRESS. MAX PRES.	INSULATION			NOTES		
	MAX. PRES.	A	B			C	INTERNAL THICKNESS	EXTERNAL THICKNESS		INTERNAL THICKNESS	
SUPPLY AIR WITHIN 10' OF UNIT	2"	X	-	-	-	-	-	YES	1"	NO	-
SUPPLY AIR BEYOND 10' OF UNIT	2"	X	-	-	-	-	-	NO	-	YES	2" FSK
RETURN AIR WITHIN 10' OF UNIT	2"	-	X	-	-	-	-	YES	1"	NO	-
RETURN AIR BEYOND 10' OF UNIT	2"	-	X	-	-	-	-	NO	-	YES	2" FSK
OUTSIDE AIR/MIXED AIR	2"	-	X	-	-	-	-	NO	-	YES	3" FSK
EXHAUST AIR	2"	-	X	-	-	-	-	NO	-	YES	2" FSK

NOTES:

SUPPLY FAN SCHEDULE													
SF #	ROOM NO.	CFM	SP	RPM	MOTOR H.P.	ELECTRICAL CHAR	AMPS	DAMPER	DRIVE	FAN TYPE	WEIGHT (LBS)	MANUFACTURER & MODEL NUMBER	NOTES
1	5	1900	0.5	1242	3/4	277/1	-	MOD	DIRECT	INLINE	90	GREENHECK SQ-140-VG	1-4

NOTES:
M.C. IS RESPONSIBLE FOR PROVIDING ANY AND ALL NECESSARY DIMENSION, ELECTRICAL, MECHANICAL, AND STRUCTURAL ALTERATIONS NECESSITATED BY PROVIDING ALTERNATE EQUIPMENT.
1. PROVIDE UNIT MOUNTED DISCONNECT.
2. PROVIDE 277 V MOTORIZED DAMPER.
3. ALL WIRING TO THE FAN AND THE MOTORIZED DAMPER SHALL BE BY THE ELECTRICAL CONTRACTOR.
4. FAN AND MOTORIZED DAMPER ARE PART OF THE EMERGENCY POWER SYSTEM. COORDINATE ALL CIRCUITS WITH ELECTRICAL CONTRACTOR.

GAS FURNACE SCHEDULE																
F #	TYPE	INPUT MBH	OUTPUT MBH	CFM	MIN F.A.	EXT. S.P.	HEAT EXCH. MTL	BLOWER					FILTER MERV 8 MIN.	MANUFACTURER & MODEL NO.	NOTES	
								SIZE	DRIVE	H.P.	ELEC. CHAR	PILOT				VENT
1	VERT	100	96	1800	500	0.6	ALUMINIZED STL	11X11	DIRECT	1	120/1	HOT S	3"	2" TA	YORK TM9V100C20MP12C	1-4

NOTES:
M.C. IS RESPONSIBLE FOR PROVIDING ANY AND ALL NECESSARY DIMENSION, ELECTRICAL, MECHANICAL, AND STRUCTURAL ALTERATIONS NECESSITATED BY PROVIDING ALTERNATE EQUIPMENT.
1. PROVIDE CONCENTRIC VENT. INSTALL PER MANUFACTURER INSTRUCTIONS. MAINTAIN MINIMUM CLEARANCES: 36" BETWEEN VENTS, 10'-0" FROM ANY FRESH AIR INTAKE.
2. PROVIDE CO₂ SENSOR. INSTALLATION BY CONTROLS CONTRACTOR. INTERLOCK CO₂ SENSOR WITH MOTORIZED DAMPER IN OUTSIDE AIR DUCT.
3. PROVIDE FURNACE WITH 2 STAGE HEATING.
4. DUCT SMOKE DETECTOR AND REMOTE TEST STATION PROVIDED BY AND INSTALLED BY E.C. REMOTE TEST STATION TO BE LOCATED IN OCCUPIED SPACE AND CONNECTION TO FIREALARM SYSTEM BY E.C. COORDINATE WITH E.C.

CONDENSING UNIT SCHEDULE														
CU #	CONDENSING UNIT							EVAPORATOR UNIT						NOTES
	NOMINAL TONNAGE	ELEC. CHAR	MCA	MOCP	S.E.E.R	WEIGHT (LBS)	MANUFACTURER & MODEL NO.	CFM	MAX S.P.	BLOWER MOTOR	ELEC. CHAR	MCA	MANUFACTURER & MODEL NO.	
1	5	208/1	31.4	50	17	295	YORK YFK60B21S	1800	0.3	-	SEE FURNACE SCHEDULE	-	YORK CM60CA2	1-7

NOTES:
M.C. IS RESPONSIBLE FOR PROVIDING ANY AND ALL NECESSARY DIMENSIONAL, ELECTRICAL, MECHANICAL, AND STRUCTURAL ALTERATIONS NECESSITATED BY PROVIDING ALTERNATE EQUIPMENT.
1. E.C. TO PROVIDE AND INSTALL POWER DISCONNECT FOR UNIT. COORDINATE WITH M.C.
2. M.C. TO INCLUDE PRE-CHARGED LINE KIT. INSULATE SUCTION LINE.
3. TWO STAGE COOLING.
4. FOR LINE LENGTH EXCEEDING 50', M.C. MUST PROVIDE FACTORY DESIGNED AND FACTORY OR FIELD FABRICATED REFRIGERANT PIPING.
5. MOUNT UNITS ON CONDENSING UNIT SUPPORTS RE. 10/MG01 FOR MORE INFORMATION.
6. INSULATE SUCTION LINE WITH 5/8" AP- ARMAFLEX INSULATION OR EQUAL. SEAL ALL JOINTS WATER TIGHT TO PREVENT CONDENSATE IN THE CEILING.
7. PROVIDE UNIT WITH HAIL GUARD.