

LIGHT FIXTURE SCHEDULE				
TYPE	SYMBOL	DESCRIPTION	MANUFACTURER	REFERENCE CATALOG #
A		2X4 LED EDGE-LIT FLAT PANEL 33W, 4300 LUMENS, 3500K CCT. 0-10V DIMMING.	COLUMBIA	CFP24 LSCS
AE		2X4 LED EDGE-LIT FLAT PANEL 33W, 4300 LUMENS, 3500K CCT. 0-10V DIMMING. PROVIDE UL924 DEVICE	COLUMBIA	CFP24 LSCS
C		6" LED RECESSED LED DOWNLIGHT. 22W, 1500 LUMEN, 3500K CCT. IC RATED, WET LOCATION, 0-10V DIMMING. PROVIDE WITH UL924 DEVICE.	LITON	CH6C18 ICA CR6L22XX UE-D10 T35 GTD
EX		LED EXIT SIGN, BRUSHED ALUMINUM FACE WITH RED LETTERS, UNIVERSAL FACE AND MOUNTING, PROVIDE WITH 1.5 HR BATTERY BACKUP	COMPASS	CCESRE/CCEDRE
F		2' LED VANITY FIXTURE. 7.3W/FT, 1000 LUMENS/FT, 3500K CCT. 0-10V DIMMING.	PINNACLE	EX3D WHE 835VHO 2 WA U FSD 1 0 XX
S		4" LED LENSED STRIP FIXTURE. 32W, 4500 LUMENS, 3500K CCT. MULTIPLE MOUNTING TYPES, 0-10V DIMMING.	COLUMBIA	MPS4 35ML CW EDU
SE		4" LED LENSED STRIP FIXTURE. 32W, 4500 LUMENS, 3500K CCT. MULTIPLE MOUNTING TYPES, 0-10V DIMMING. PROVIDE WITH UL924 DEVICE.	COLUMBIA	MPS4 35ML CW EDU

GENERAL NOTES:
EQUIVALENT ALTERNATE LIGHT FIXTURES MAY BE PROVIDED FOR BIDDING PURPOSES. THE ENGINEER DOES NOT TAKE RESPONSIBILITY FOR ENSURING ALTERNATE LIGHT FIXTURES USED FOR BIDDING ARE EQUAL. THE CONTRACTOR SHALL BE RESPONSIBLE FOR ENSURING ALTERNATE FIXTURES ARE EQUIVALENT TO THOSE SPECIFIED PRIOR TO BID. THE WINNING BID PACKAGE SHALL BE SUBMITTED TO THE ENGINEER FOR REVIEW IN ACCORDANCE WITH THE SPECIFICATIONS.

ELECTRICAL ABBREVIATIONS			
AC	ABOVE COUNTERTOP	MC	MECHANICAL CONTRACTOR
AFF	ABOVE FINISH FLOOR	MCA	MINIMUM CIRCUIT AMPS
AFG	ABOVE FINISH GRADE	MDP	MAIN DISTRIBUTION PANEL
ANNC	ANNUNCIATOR	MTD	MOUNTED
CC	CONTROLS CONTRACTOR	NIC	NOT IN CONTRACT
DF	DRINKING FOUNTAIN	OCC	OCCUPANCY
EC	ELECTRICAL CONTRACTOR	PC	PLUMBING CONTRACTOR
EF	EXHAUST FAN	PNL	PANEL
EX	EXISTING	SPST	SINGLE POLE SINGLE THROW
EXR	EXISTING RELOCATED	TTB	TELEPHONE TERMINAL BOARD
GC	GENERAL CONTRACTOR	TYP	TYPICAL
GFI	GROUND FAULT INTERRUPT	WG	WIRE GUARD
HP	HORSEPOWER	WP	WEATHER PROOF
IBC	INTERNATIONAL BUILDING CODE	20A	20 AMP
IG	ISOLATED GROUND	#	PHASE
LV	LOW VOLTAGE	3W	3 WIRE
LVRP	LV RELAY PANEL	1P20A	SINGLE POLE 20 AMP

ELECTRICAL LEGEND	
	PANEL BOARD
	DISTRIBUTION PANEL BOARD
	TRANSFORMER
	UTILITY METER
	SEPARATE CIRCUIT BREAKER
	DISCONNECT
	FUSED DISCONNECT SWITCH
	EMERGENCY FUSED DISCONNECT SWITCH
	MOTOR STARTER/CONTRACTOR
	COMBINATION MOTOR STARTER
	PUSH BUTTON STATION AS NOTED
	PULL BOX, SIZE AS REQUIRED BY CODE
	ELECTRICAL CONNECTION
	MOTOR CONNECTION
	HOME RUN TO PANEL BOARD

RECEPTACLE SCHEDULE	
SYMBOL	DESCRIPTION
	DUPLEX RECEPTACLE
	GFCI RECEPTACLE
	DUPLEX GFCI RECEPTACLE - WEATHER PROOF (N USE COVER)

GENERAL NOTE:
SEE SPECIFICATIONS FOR MANUFACTURERS

SWITCH LEGEND	
SYMBOL	DESCRIPTION
	20A, 120/277V SPST SWITCH
	20A, 120/277V LETTER INDICATES GROUP
	20A, 120/277V 3-WAY
	20A, 120/277V 4-WAY
	DIMMER SWITCH
	KEY OPERATED SWITCH
	OCCUPANCY SENSOR SWITCH

GENERAL NOTE:
SEE SPECIFICATIONS FOR MANUFACTURERS

GENERAL ELECTRICAL NOTES	
1.	CONTRACTOR TO VERIFY EXISTING ELECTRICAL CONDITIONS AND NOTIFY ARCHITECT/ENGINEER OF ANY ELECTRICAL OR CODE ISSUES PRIOR TO BID. CONTRACTOR IS RESPONSIBLE FOR PROVIDING A COMPLETE AND OPERATIONAL CODE COMPLIANT SYSTEM.
2.	ALL WORK SHALL BE IN CONFORMANCE WITH NATIONAL, STATE, AND LOCAL CODES AND/OR ORDINANCES.
3.	ELECTRICAL CONTRACTOR SHALL COORDINATE WORK WITH ALL OTHER CONTRACTORS & LOCAL UTILITY. E.C. SHALL CONTACT LOCAL UTILITY FOR EXACT SERVICE REQUIREMENTS TO INCLUDE BUT NOT LIMITED TO TRANSFORMER, METERING AND CABLING. LOCAL UTILITY REQUIREMENTS SUPERSEDE DRAWINGS AND SPECIFICATIONS.
4.	SEE ARCHITECTURAL, MECHANICAL, & PLUMBING DRAWINGS FOR ADDITIONAL REQUIREMENTS.
5.	ELECTRICAL DRAWINGS ARE DIAGRAMMATIC ONLY. THEY ARE INTENDED TO GIVE APPROXIMATE LOCATIONS AND OVERALL DESIGN INTENT. THE ELECTRICAL CONTRACTOR SHALL BE RESPONSIBLE FOR PRODUCTS, MATERIALS, AND ELECTRICAL METHODS WHICH HAVE NOT BEEN SHOWN OR INDICATED BUT ARE REQUIRED FOR A COMPLETE SYSTEM TO THE STANDARDS OF THE INDUSTRY.
6.	INSTALL LIGHTING FIXTURES IN ACCORDANCE WITH MANUFACTURER'S RECOMMENDATIONS. PROVIDE SUPPORTING DEVICES FOR ADEQUATE SUPPORT OF FIXTURES FROM STRUCTURE.
7.	UPON COMPLETION OF THE ELECTRICAL WORK, THE INSTALLATION SHALL BE TESTED FOR CONTINUITY, GROUNDS, AND SHORT CIRCUITS. THE ELECTRICAL CONTRACTOR SHALL DEMONSTRATE PROPER PERFORMANCE OF ALL SYSTEMS. ALL DEFECTIVE WORK OR MATERIALS SHALL BE REPLACED OR REPAIRED AS NECESSARY AND RETESTED.
8.	ELECTRICAL RACEWAYS THAT PENETRATE FIRE RATED ASSEMBLIES SHALL BE SLEEVED AND SEALED AS PER THE LOCAL BUILDING CODE.
9.	THE ELECTRICAL CONTRACTOR SHALL PROVIDE A TEMPORARY ELECTRICAL SYSTEM FOR THE PROJECT. AT LEAST ONE 120 VOLT SINGLE PHASE RECEPTACLE SHALL BE PROVIDED FOR EACH 500 SQUARE FEET OF FLOOR SPACE. SUFFICIENT TEMPORARY LIGHTING SHALL BE PROVIDED TO ALLOW ALL CONTRACTORS TO COMPLETE THEIR WORK. TEMPORARY ELECTRICAL CIRCUITS SHALL BE EQUIPPED WITH COMBINATION GROUND FAULT INTERRUPTER AND CIRCUIT BREAKER PER NEG. TEMPORARY ELECTRICAL SYSTEM SHALL BE INCLUDED IN THIS BID. USAGE CHARGES SHALL BE PAID FOR BY THE GENERAL CONTRACTOR.

ELECTRICAL SHEET INDEX	
E000	ELECTRICAL TITLE SHEET
E001	ELECTRICAL SITE PLAN
E101	ELECTRICAL LIGHTING PLAN
E201	ELECTRICAL POWER PLAN
E202	ELECTRICAL POWER PLAN - ROOF
E401	ELECTRICAL ONE-LINE DIAGRAM AND SCHEDULES
E601	ELECTRICAL DETAILS SHEET

OCC SENSOR SCHEDULE	
SYMBOL	DESCRIPTION
	MULTI-TECHNOLOGY, CEILING MOUNTED OCCUPANCY SENSOR CAPABLE OF DISABLING AUTO ADAPTING FEATURE. PROVIDE WITH RELAY/POWER PACKS AS REQUIRED PER PLAN. (LOW VOLTAGE)

GENERAL NOTES:
1. E.C. SHALL CONTACT ARCHITECT FOR COLOR SELECTION PRIOR TO ORDER OF ANY SENSOR.
2. FOR CEILING SPACES 14 FT. A.F.F. PIR TYPE CEILING MOUNTED SENSORS SHALL BE USED.
3. WALL MOUNTED DEVICES TO MATCH MANUAL LIGHTING CONTROL.

AGP
the Abla Griffin
Partnership L.L.C.

201 N. BROADWAY
SUITE 210
MOORE, OK. 73160
405.735.3477
AGP@theAGP.net
www.theAGP.net

CEDAR CREEK INC.

CIVIL

KFC ENGINEERING

STRUCTURAL

SALAS O'BRIEN

MECHANICAL / ELECTRICAL



BB

drawn by

TVO

checked by

OCTOBER 2022

date

revisions

MOORE PUBLIC SCHOOLS
BOARD OF EDUCATION
MOORE, OKLAHOMA



NEW ADDITION
KELLEY ELEMENTARY
SCHOOL

sheet no:

E000

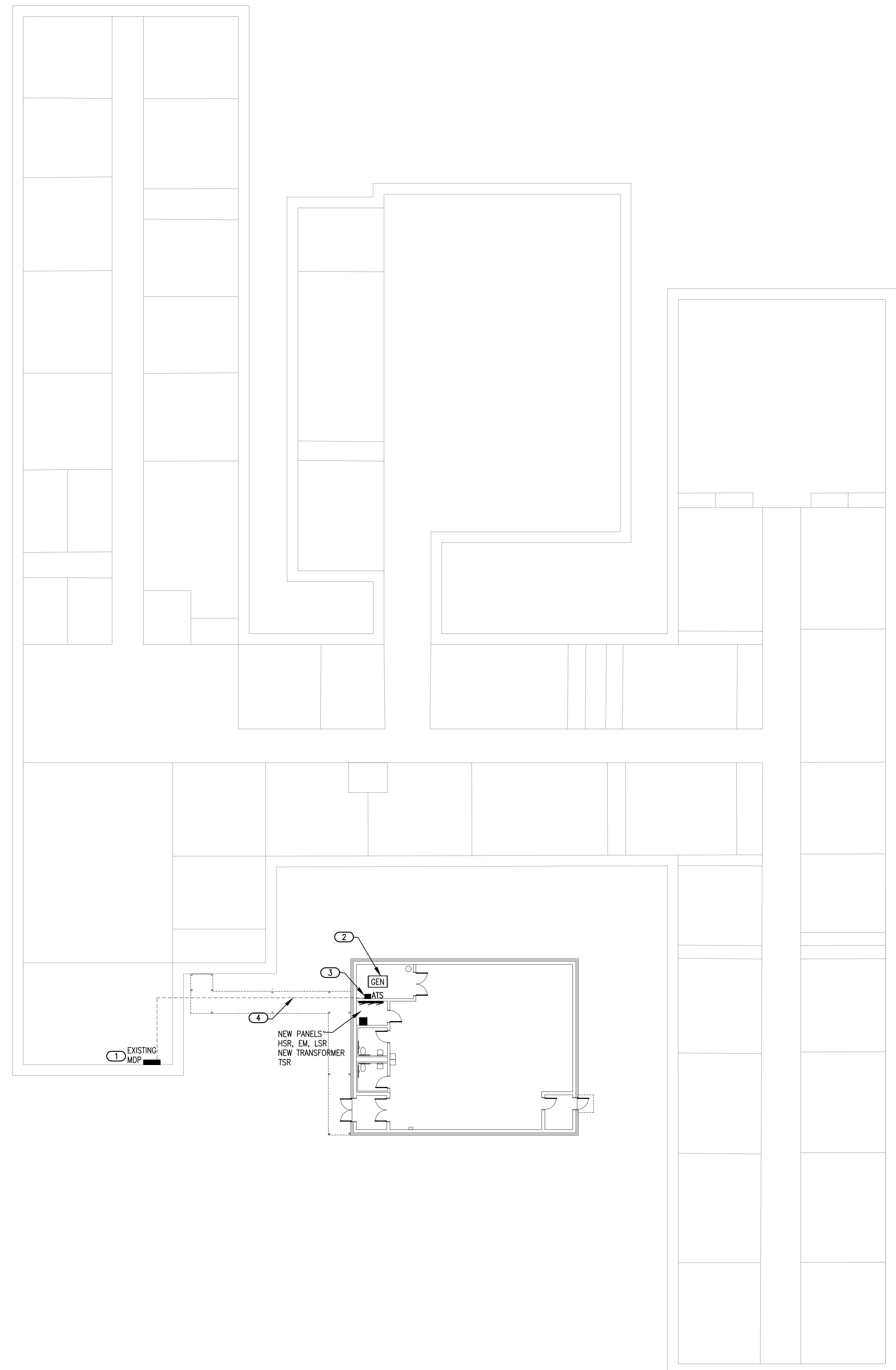


2600 Van Buren St., Suite 2635
Norman, Oklahoma 73072
P: 405.364.9926 | CA#:7058 Expiration Date: 6/30/2023

Salas O'Brien Project No.: 2022-04164-00

OWNERSHIP USE OF DOCUMENTS:

AGP EXPRESSLY RESERVES ITS COPYRIGHT AND OTHER PROPERTY RIGHTS OF ALL PLANS AND DRAWINGS DESIGNED AND/OR PRODUCED. PLANS AND DRAWINGS ARE NOT TO BE REPRODUCED IN ANY FORM OR MANNER WITHOUT THE EXPRESSED WRITTEN CONSENT OF AGP.



GENERAL NOTES

1. EC SHALL FIELD VERIFY EXISTING CONDITIONS PRIOR TO ALL WORK.
2. CONDUIT ROUTE SHOWN IS ONLY TO CONVEY DESIGN INTENT. EC SHALL DETERMINE FINAL ROUTING OF NEW CONDUIT AFTER FIELD VERIFYING EXISTING CONDITIONS.

KEYED NOTES

- 1 APPROXIMATE LOCATION OF EXISTING MDP. REFER TO SHEET 'E401' FOR ADDITIONAL INFORMATION REGARDING NEW POWER FEEDS FOR THE SAFEROOM ADDITION.
- 2 APPROXIMATE LOCATION OF NEW DUAL FUEL GENERATOR. COORDINATE EXACT LOCATION AND REQUIREMENTS WITH ARCHITECT/OWNER PRIOR TO ROUGH-IN
- 3 APPROXIMATE LOCATION OF NEW ATS. REFER TO SHEET 'E401' FOR ADDITIONAL INFORMATION REGARDING NEW CONNECTIONS.
- 4 PROPOSED CONDUIT FEED FOR NEW ATS. COORDINATE EXACT CONDUIT ROUTE WITH ARCHITECT, CIVIL, AND OTHER TRADES PRIOR TO ROUGH-IN. REFER TO SHEET 'E401' FOR ADDITIONAL INFORMATION.

AGP
the Abla Griffin
Partnership L.L.C.

201 N. BROADWAY
SUITE 210
MOORE, OK. 73160
405.735.3477
AGP@theAGP.net
www.theAGP.net

CEDAR CREEK INC.

CIVIL

KFC ENGINEERING

STRUCTURAL

SALAS O'BRIEN

MECHANICAL / ELECTRICAL



XX

drawn by

XX

checked by

OCTOBER 2022

date

revisions

MOORE PUBLIC SCHOOLS
BOARD OF EDUCATION
MOORE, OKLAHOMA



NEW ADDITION
KELLEY ELEMENTARY
SCHOOL

sheet no:

E001



2600 Van Buren St., Suite 2635
Norman, Oklahoma 73072
P: 405.364.9926 | CA#:7058 Expiration Date: 6/30/2023

Salas O'Brien Project No.: 2022-04164-00

OWNERSHIP USE OF DOCUMENTS:

AGP EXPRESSLY RESERVES ITS
COPYRIGHT AND OTHER PROPERTY
RIGHTS OF ALL PLANS AND DRAWINGS
DESIGNED AND/OR PRODUCED. PLANS
AND DRAWINGS ARE NOT TO BE
REPRODUCED IN ANY FORM OR MANNER
WITHOUT THE EXPRESSED WRITTEN
CONSENT OF AGP.

1 ELECTRICAL SITE PLAN
1/16" = 1'-0"





BB
drawn by
TVO
checked by
OCTOBER 2022
date
revisions

MOORE PUBLIC SCHOOLS
BOARD OF EDUCATION
MOORE, OKLAHOMA



NEW ADDITION
KELLEY ELEMENTARY
SCHOOL

sheet no:

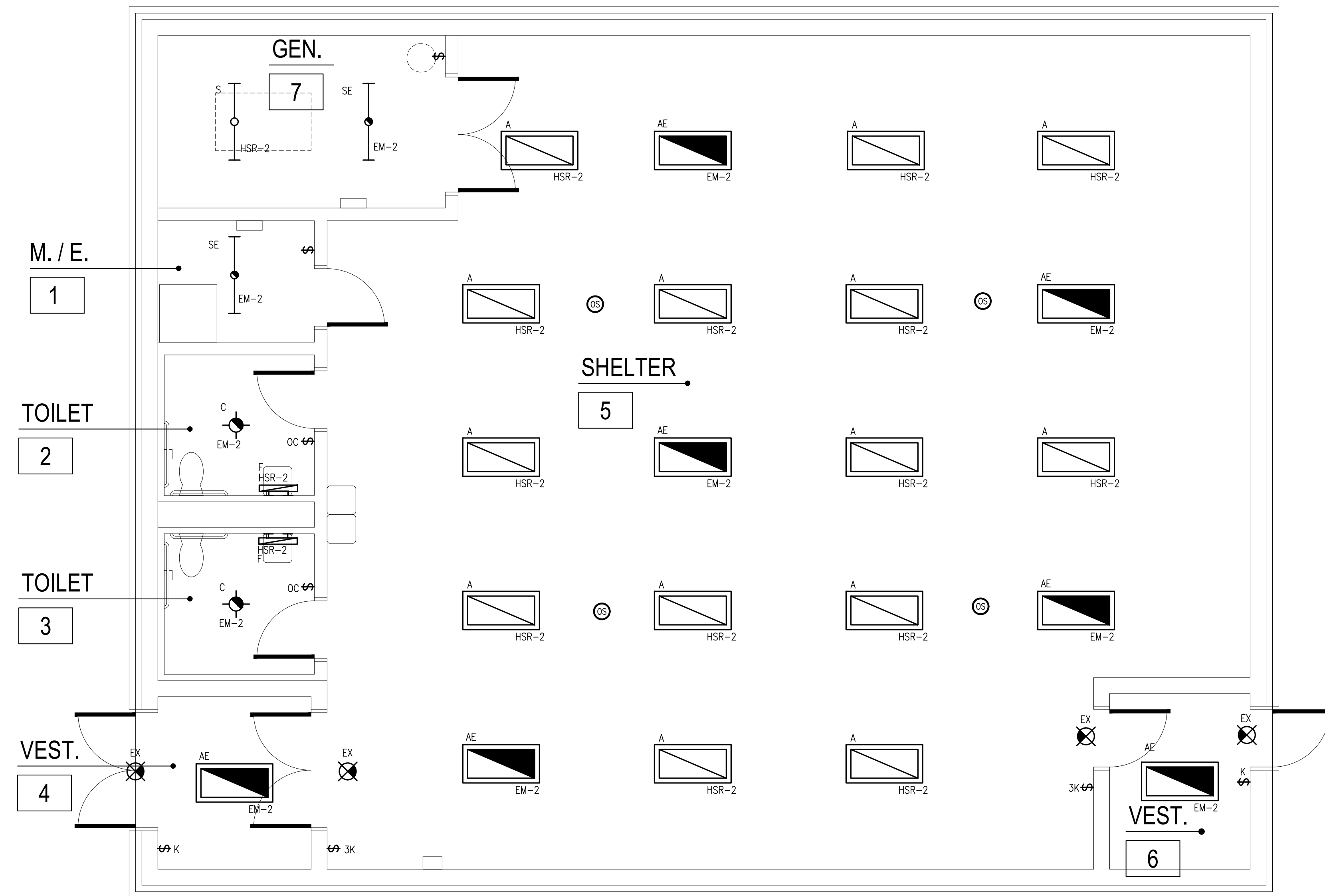
E101



2600 Van Buren St., Suite 2635
Norman, Oklahoma 73072
P: 405.364.9926 | CA#:7058 Expiration Date: 6/30/2023
Salas O'Brien Project No.: 2022-04164-00

OWNERSHIP USE OF DOCUMENTS:
AGP EXPRESSLY RESERVES ITS
COPYRIGHT AND OTHER PROPERTY
RIGHTS OF ALL PLANS AND DRAWINGS
DESIGNED AND/OR PRODUCED. PLANS
AND DRAWINGS ARE NOT TO BE
REPRODUCED IN ANY FORM OR MANNER
WITHOUT THE EXPRESSED WRITTEN
CONSENT OF AGP.

- GENERAL NOTES**
- OCCUPANCY SENSOR LOCATIONS ARE FOR DESIGN INTENT ONLY. LOCATE OCCUPANCY SENSORS PER MANUFACTURER'S WRITTEN INSTALLATION INSTRUCTIONS.
 - COORDINATE EXACT LOCATIONS AND MOUNTING HEIGHTS OF LIGHT FIXTURES WITH HVAC EQUIPMENT AND OTHER DEVICES/EQUIPMENT.
 - COORDINATE LIGHT SWITCHES WITH THERMOSTATS AND OTHER WALL MOUNTED DEVICES.
 - PROVIDE RELAY CONTACTOR FOR EXTERIOR LIGHTING. RELAY SHALL INTERLOCK WITH THE NEAREST EXISTING LIGHTING CIRCUIT SUCH THAT THE EXISTING LIGHTING CONTROLS SHALL CONTROL THE NEW EXTERIOR LIGHTING.
 - COORDINATE EXTERIOR FIXTURE MOUNTING HEIGHT WITH ARCHITECT AND OWNER PRIOR TO ROUGH IN.



1 ELECTRICAL LIGHTING PLAN
1/4" = 1'-0"





BB
drawn by
TVO
checked by
OCTOBER 2022
date
revisions

MOORE PUBLIC SCHOOLS
BOARD OF EDUCATION
MOORE, OKLAHOMA



NEW ADDITION
KELLEY ELEMENTARY
SCHOOL

sheet no:

E201



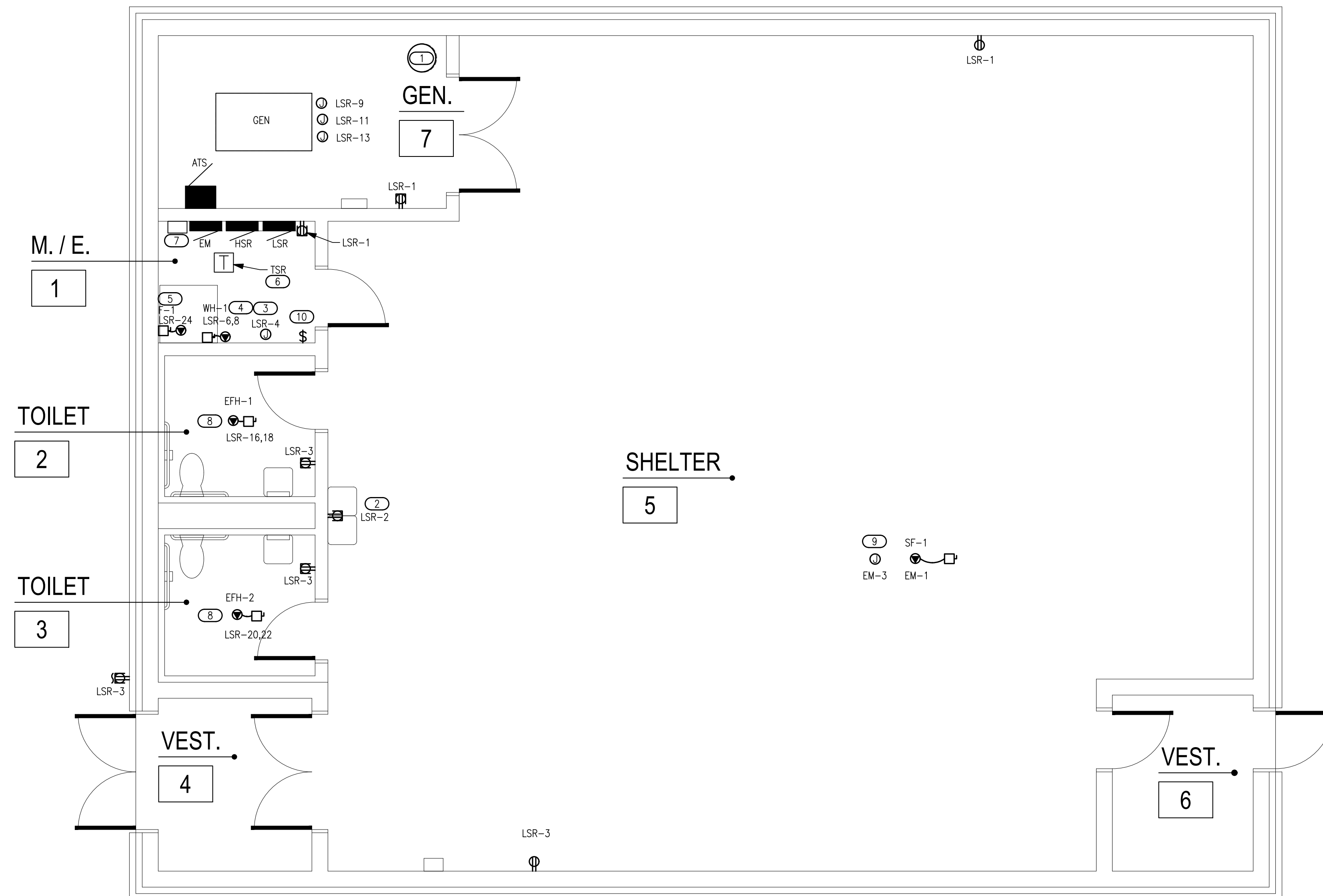
2600 Van Buren St., Suite 2635
Norman, Oklahoma 73072
P: 405.364.9926 | CA#:7058 Expiration Date: 6/30/2023

Salas O'Brien Project No.: 2022-04164-00

OWNERSHIP USE OF DOCUMENTS:
AGP EXPRESSLY RESERVES ITS
COPYRIGHT AND OTHER PROPERTY
RIGHTS OF ALL PLANS AND DRAWINGS
DESIGNED AND/OR PRODUCED. PLANS
AND DRAWINGS ARE NOT TO BE
REPRODUCED IN ANY FORM OR MANNER
WITHOUT THE EXPRESSED WRITTEN
CONSENT OF AGP.

- GENERAL NOTES**
- COORDINATE EXACT LOCATIONS OF DEVICES SHOWN WITH OTHER EQUIPMENT, COORDINATE EXACT LOCATIONS OF CEILING MOUNTED DEVICES WITH LIGHTS, HVAC EQUIPMENT, AND OTHER DEVICES.
 - COORDINATE WITH MECHANICAL CONTRACTOR AND PROVIDE ALL RELAYS, CONNECTIONS, AND ALL DEVICES NECESSARY TO INTERLOCK EXHAUST FANS, DAMPERS, ETC WITH PROPER CONTROL DEVICES.
 - COORDINATE EXACT LOCATIONS OF MECHANICAL EQUIPMENT WITH MECHANICAL CONTRACTOR.

- KEYED NOTES**
- APPROXIMATE LOCATION OF PROPANE FUEL SUPPLY FOR GENERATOR. PROPANE TO BE AT LEAST 10 FT FROM GENERATOR. COORDINATE EXACT LOCATION AND REQUIREMENTS WITH ARCHITECT PRIOR TO ROUGH-IN.
 - PROVIDE 120V CONNECTION FOR WATER COOLER. COORDINATE EXACT LOCATION AND REQUIREMENTS WITH ARCHITECT/OWNER PRIOR TO ROUGH-IN.
 - PROVIDE 120V CONNECTION FOR TRAP PRIMER. REFER TO DETAIL 1/P501 FOR ADDITIONAL INFORMATION. COORDINATE EXACT LOCATION AND REQUIREMENTS WITH ARCHITECT/OWNER PRIOR TO ROUGH-IN.
 - PROVIDE 208V/1P CONNECTION FOR ELECTRIC WATER HEATER. REFER TO DETAIL 7/P501 FOR ADDITIONAL INFORMATION. COORDINATE EXACT LOCATIONS AND HEIGHTS WITH PLUMBING CONTRACTOR PRIOR TO ROUGH-IN.
 - PROVIDE 120V CONNECTION FOR GAS FURNACE. COORDINATE EXACT LOCATION AND REQUIREMENTS WITH ARCHITECT/OWNER PRIOR TO ROUGH-IN.
 - TRANSFORMER 'TSR' SHALL BE MOUNTED FROM STRUCTURE ABOVE. COORDINATE FINAL LOCATION WITH ARCHITECT AND OTHER TRADES PRIOR TO ROUGH-IN.
 - APPROXIMATE LOCATION OF ELECTRICAL PULL-BOX MOUNTED BELOW DISTRIBUTION PANELS 'HSR' AND 'EM'. PULL-BOX SHALL BE USED TO SPLIT NORMAL AND EMERGENCY LOADS WITH THE ATS.
 - PROVIDE 208V/1P CONNECTION FOR ELECTRIC FAN FORCED HEATER. COORDINATE EXACT LOCATION AND REQUIREMENTS WITH ARCHITECT/OWNER PRIOR TO ROUGH-IN.
 - PROVIDE CONTRACTOR TO INTERLOCK CONTROLS FOR SUPPLY FAN WITH MOTORIZED DAMPER. COORDINATE FINAL CONNECTION REQUIREMENTS AND LOCATIONS WITH MC PRIOR TO ROUGH-IN.
 - PROVIDE SWITCH FOR EMERGENCY VENTILATION FAN SF-1. CALL OUT LETTERING "EMERGENCY VENTILATION" ON PLACE CARD ABOVE THE SWITCH WITH 3/4" LETTERING. INSTALLATION BY EC. COORDINATE EXACT LOCATION WITH MC PRIOR TO INSTALLATION.

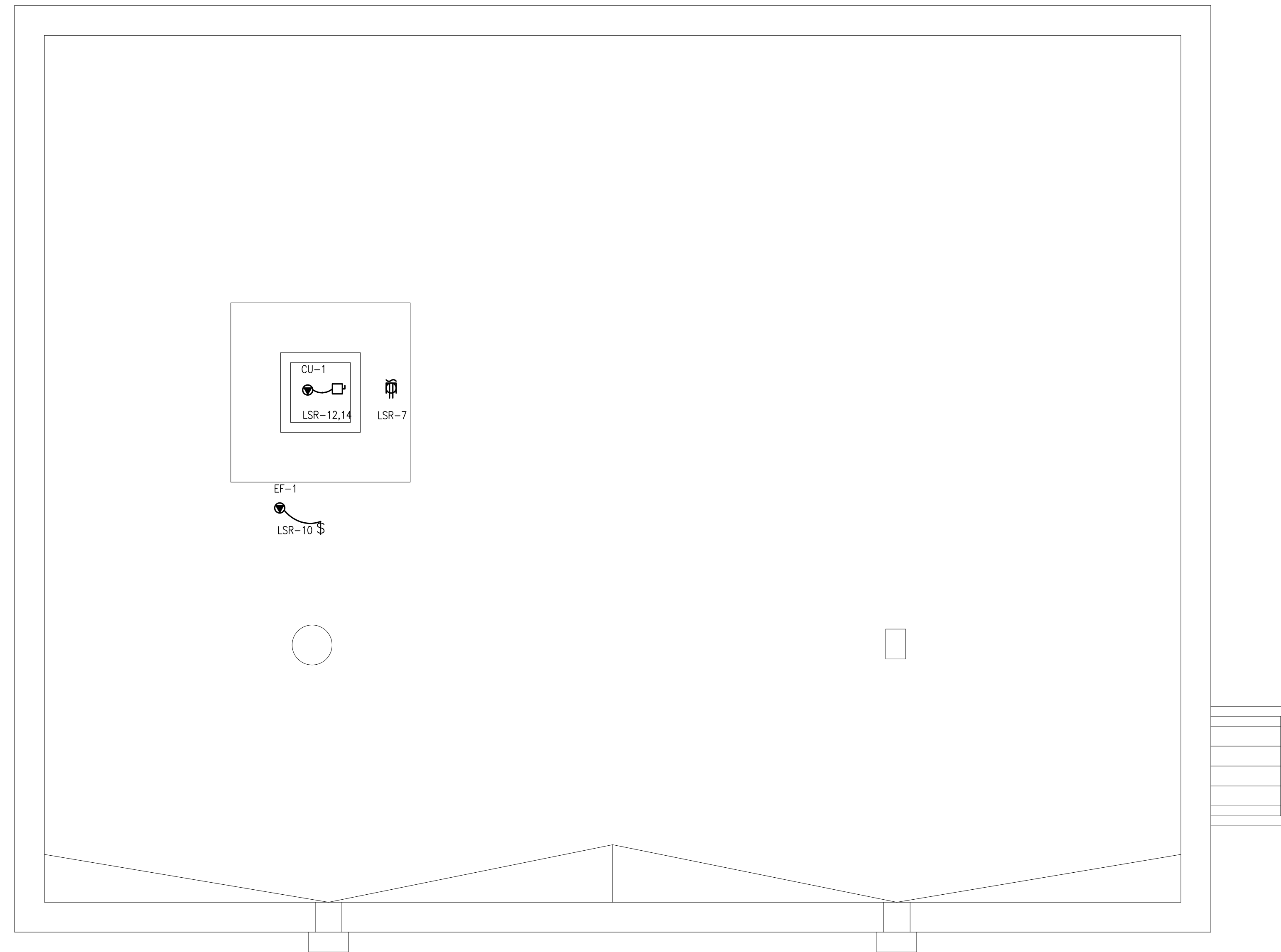


1 ELECTRICAL POWER PLAN
1/4" = 1'-0"





- | GENERAL NOTES | |
|---------------|---|
| 1. | COORDINATE EXACT LOCATIONS OF DEVICES SHOWN WITH OTHER EQUIPMENT. |
| 2. | COORDINATE WITH MECHANICAL CONTRACTOR AND PROVIDE ALL RELAYS, CONNECTIONS, AND ALL DEVICES NECESSARY TO INTERLOCK EXHAUST FANS, DAMPERS, ETC WITH PROPER DEVICES. |
| 3. | COORDINATE EXACT LOCATIONS OF MECHANICAL EQUIPMENT WITH MECHANICAL CONTRACTOR. |
| 4. | FIRMLY MOUNT WEATHERPROOF 120V CONVENIENCE OUTLET ON UNISTRUT/KINDORF. COORDINATE WITH OTHER TRADES PRIOR TO ROUGH-IN. REDUNDANT RECEPTACLES, WHETHER STAND-ALONE OR INTEGRAL TO A UNIT, MAY BE OMITTED SO LONG AS ALL OF THE REQUIREMENTS OF NEC 210.63 ARE SATISFIED. |



1 ELECTRICAL POWER PLAN - ROOF
1/4" = 1'-0"



BB
drawn by

TVO
checked by

OCTOBER 2022
date

revisions

MOORE PUBLIC SCHOOLS
BOARD OF EDUCATION
MOORE, OKLAHOMA



NEW ADDITION
KELLEY ELEMENTARY
SCHOOL

sheet no:

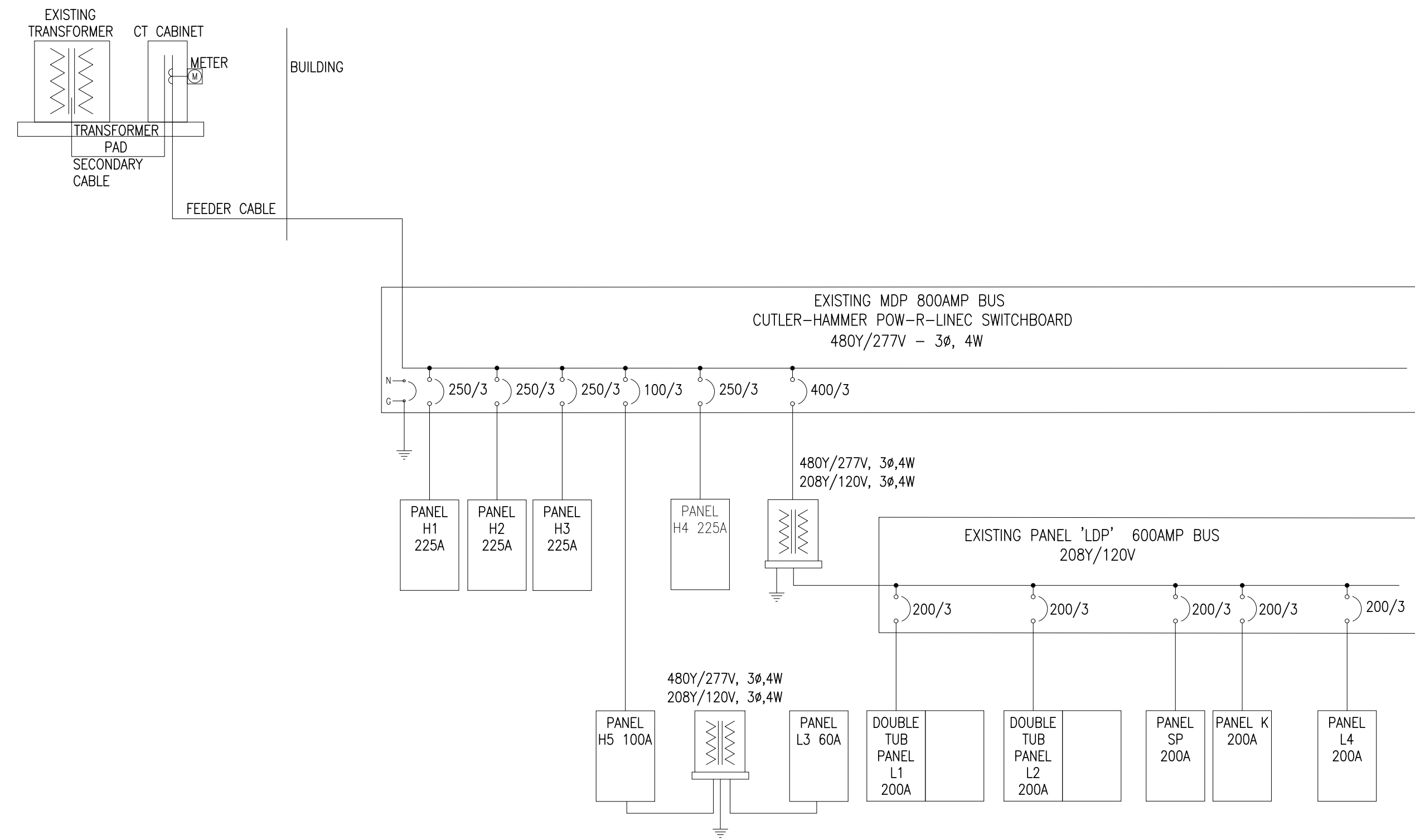
E202



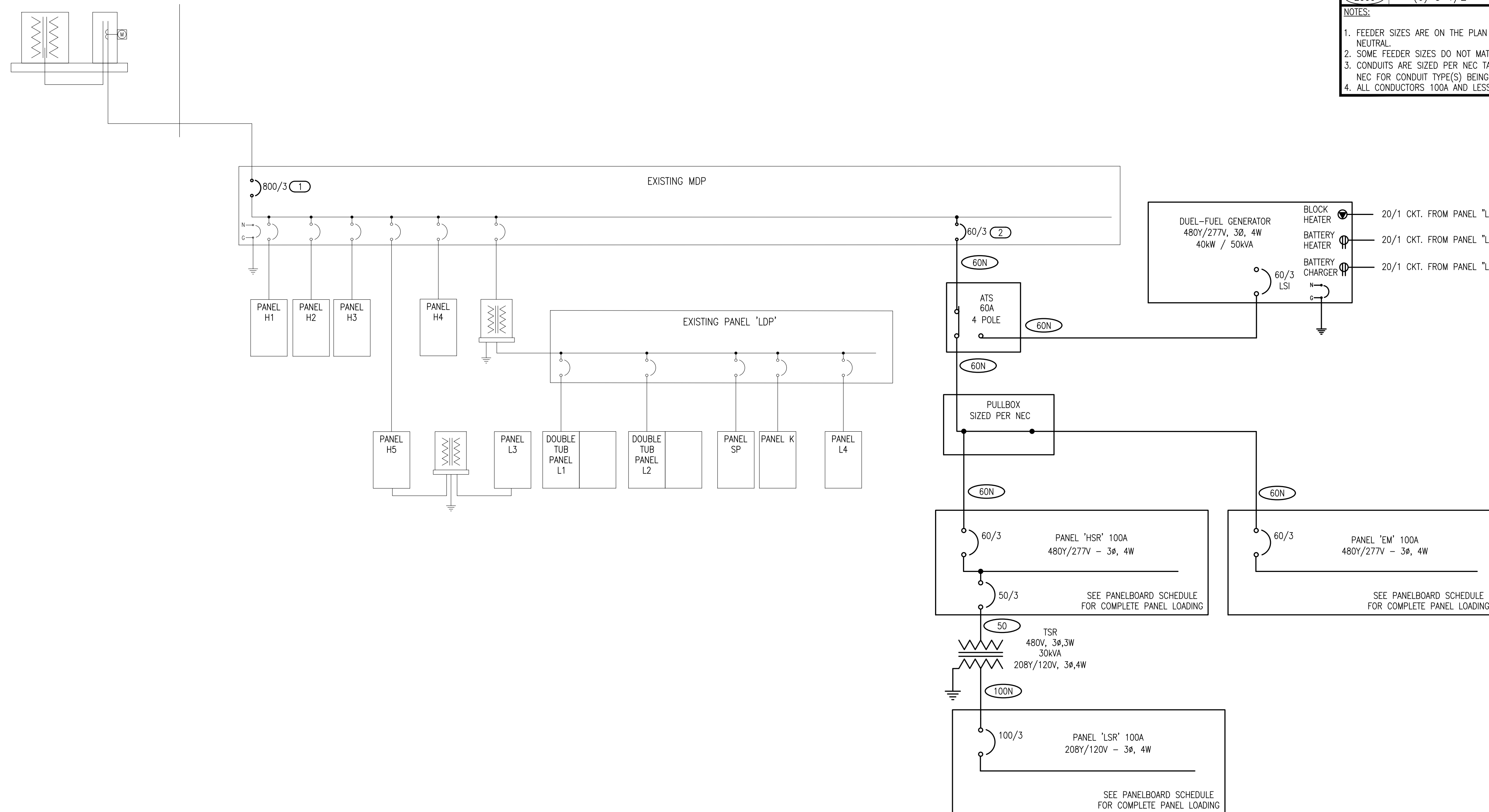
2600 Van Buren St., Suite 2635
Norman, Oklahoma 73072
P: 405.364.9926 | CA#: 7058 Expiration Date: 6/30/2023

Salas O'Brien Project No.: 2022-04164-00

OWNERSHIP USE OF DOCUMENTS:
AGP EXPRESSLY RESERVES ITS
COPYRIGHT AND OTHER PROPERTY
RIGHTS OF ALL PLANS AND DRAWINGS
DESIGNED AND/OR PRODUCED. PLANS
AND DRAWINGS ARE NOT TO BE
REPRODUCED IN ANY FORM OR MANNER
WITHOUT THE EXPRESSED WRITTEN
CONSENT OF AGP.



1 ELECTRICAL ONE LINE DIAGRAM - EXISTING
NO SCALE



2 ELECTRICAL ONE LINE DIAGRAM - NEW
NO SCALE

FEEDER SCHEDULE				
AMPS	CONDUIT SIZE 4W	CONDUIT SIZE 3W	PHASE CONDUCTORS	EQUIPMENT GROUND CONDUCTOR
20	3/4"	3/4"	#12	#12
25	3/4"	3/4"	#10	#10
30	3/4"	3/4"	#10	#10
35	1"	3/4"	#8	#10
40	1"	3/4"	#8	#10
45	1"	1"	#6	#10
50	1"	1"	#6	#10
60	1 1/4"	1 1/4"	#4	#10
70	1 1/4"	1 1/4"	#4	#8
80	1 1/4"	1 1/4"	#3	#8
90	1 1/2"	1 1/4"	#2	#8
100	2"	1 1/2"	#1	#8
110	1 1/2"	1 1/4"	#2	#6
125	2"	1 1/2"	#1	#6
150	2"	1 1/2"	#1/0	#6
175	2"	2"	#2/0	#6
200	2"	2"	#3/0	#6
225	2 1/2"	2"	#4/0	#4
250	3"	2 1/2"	250 kcmil	#4
300	3"	3"	350 kcmil	#4
350	3 1/2"	3"	500 kcmil	#3
400	(2) 2"	(2) 2"	2 SETS OF #3/0	#3
450	(2) 2 1/2"	(2) 2"	2 SETS OF #4/0	#2
500	(2) 2 1/2"	(2) 2 1/2"	2 SETS OF 250 kcmil	#2
600	(2) 3"	(2) 3"	2 SETS OF 350 kcmil	#1
700	(2) 3 1/2"	(2) 3"	2 SETS OF 500 kcmil	#1/0
800	(3) 3"	(3) 2 1/2"	3 SETS OF 300 kcmil	#1/0
900	(3) 3 1/2"	(3) 3"	3 SETS OF 400 kcmil	#2/0
1000	(3) 3 1/2"	(3) 3"	3 SETS OF 500 kcmil	#2/0
1200	(4) 3"	(4) 3"	4 SETS OF 350 kcmil	#3/0
1600	(5) 3 1/2"	(5) 3"	5 SETS OF 500 kcmil	#4/0
1800	(6) 3 1/2"	(6) 3"	6 SETS OF 400 kcmil	250 kcmil
2000	(6) 3 1/2"	(6) 3"	6 SETS OF 500 kcmil	250 kcmil

- NOTES:**
- FEEDER SIZES ARE ON THE PLAN WHERE 60 REFERS TO A 60A FEEDER WITHOUT NEUTRAL AND 60N REFERS TO A 60A FEEDER WITH NEUTRAL.
 - SOME FEEDER SIZES DO NOT MATCH BREAKER SIZE DUE TO UP-SIZING OF THE FEEDER FOR VOLTAGE DROP.
 - CONDUITS ARE SIZED PER NEC TABLES FOR THHN/THWN AND MAY BE UPSIZED FOR EASE OF PULLING OR DOWNSIZED AS ALLOWED PER NEC FOR CONDUIT TYPE(S) BEING INSTALLED.
 - ALL CONDUCTORS 100A AND LESS ARE SIZED PER 60 DEGREE LUGS, EC MAY SIZE CONDUCTORS FOR ACTUAL RATING OF LUGS PER NEC.

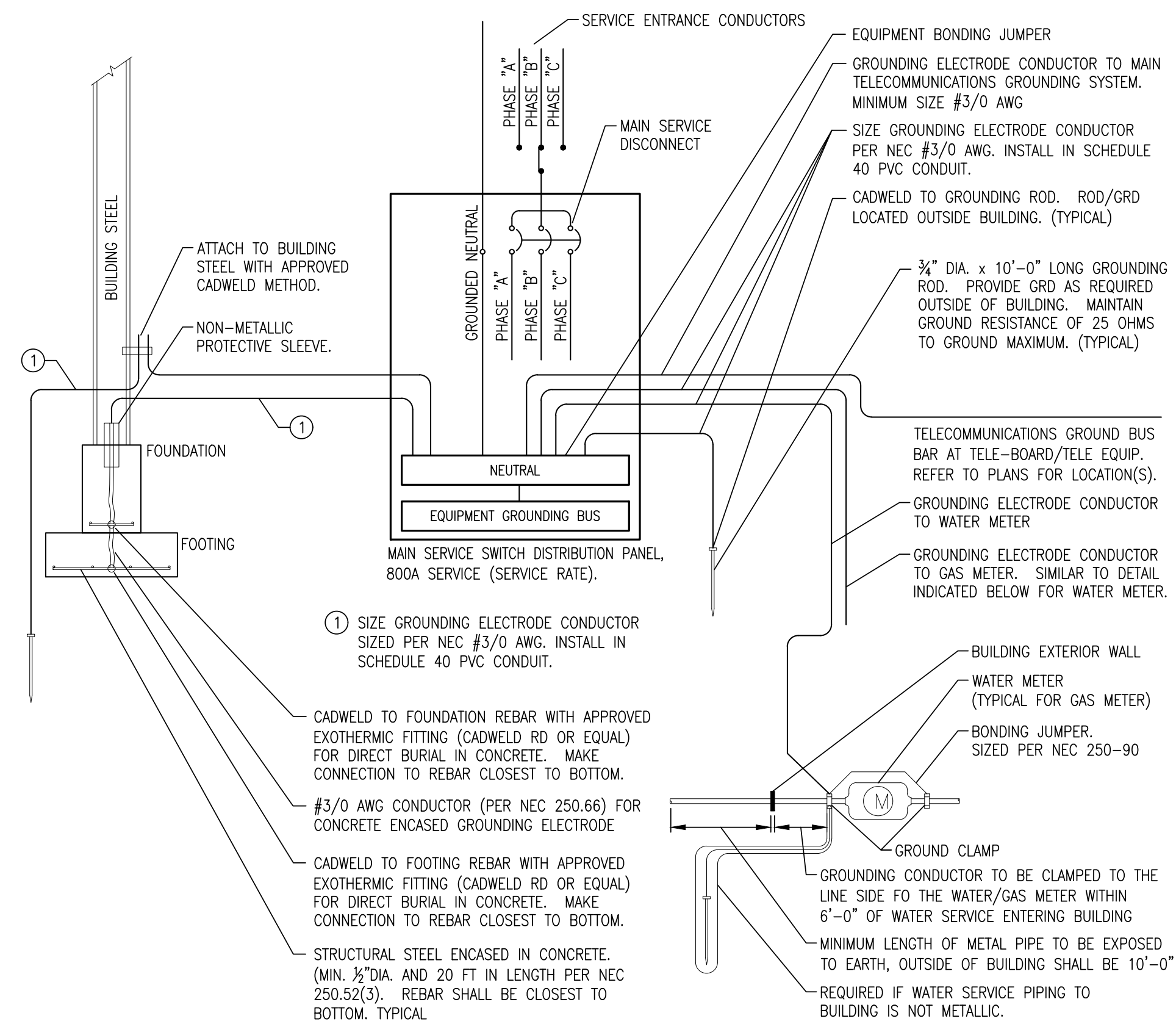
- GENERAL NOTES**
- ELECTRICAL CONTRACTOR SHALL COORDINATE EXACT REQUIREMENTS WITH UTILITY TO PROVIDE ALL PARTS, TRENCHING, AND PAY ALL FEES NECESSARY TO BRING SERVICE TO NEW BUILDING.
 - AIC RATINGS ARE ESTIMATED BASED ON AVAILABLE DATA DURING DESIGN. CONTRACTOR TO VERIFY AVAILABLE FAULT CURRENT WITH UTILITY.
 - PROVIDE A MINIMUM OF 10 SPARE 1P20A BREAKERS FOR EACH 120V SUB-PANEL.

- KEYED NOTES**
- NEW 800A/3P MAIN CIRCUIT BREAKER SHALL BE ADDED TO EXISTING MDP. COORDINATE DOWN TIMES WITH OWNER/ARCHITECT PRIOR TO BEGINNING WORK.
ENGINEER UNABLE TO VERIFY MAIN BREAKER INSTALLATION WITH MANUFACTURER AT TIME OF DESIGN. CONTRACTOR SHALL FIELD VERIFY ABILITY TO ADD MAIN BREAKER TO MDP. CONTRACTOR SHALL REPORT FINDINGS TO ENGINEER.
 - PROVIDE NEW 60A/3P BREAKER WITHIN EXISTING MDP TO FEED SAFEROOM ATS. IN THE CASE THAT A NEW SERVICE IS BEING PROVIDED BY UTILITY, PROVIDE 60A SERVICE DISCONNECT ON THE PRIMARY SIDE OF THE ATS.

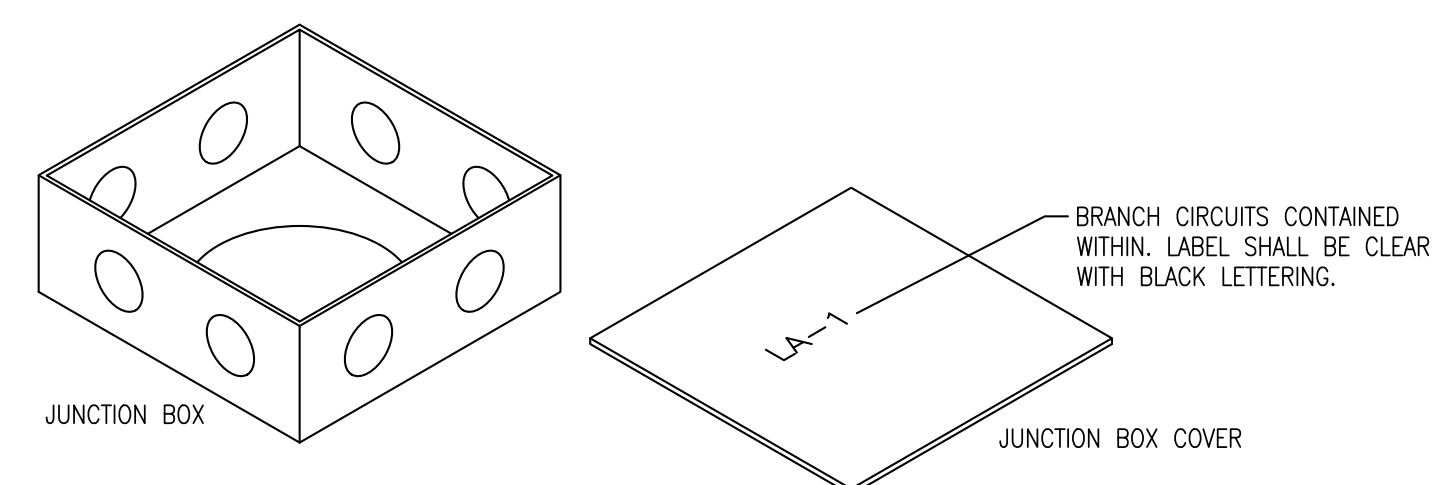




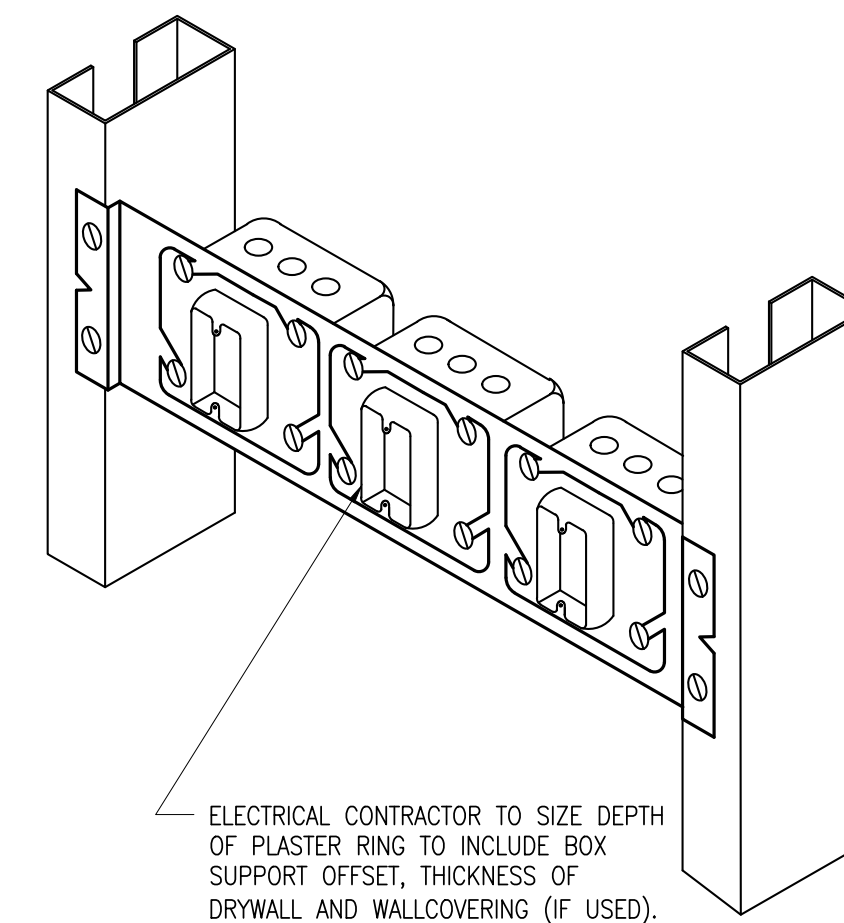
BB	drawn by
TVO	checked by
OCTOBER 2022	date
	revisions



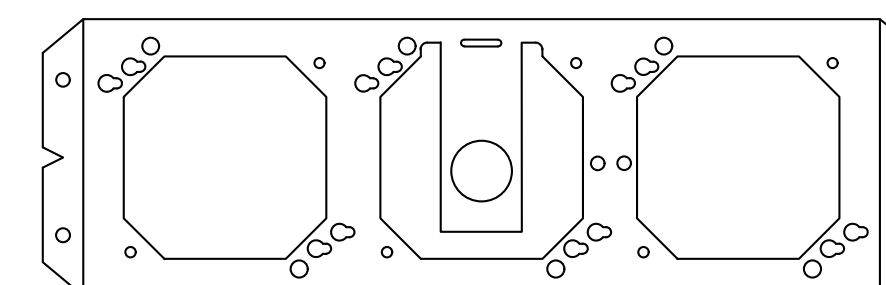
3 MAIN ELECTRICAL GROUNDING DIAGRAM
NO SCALE



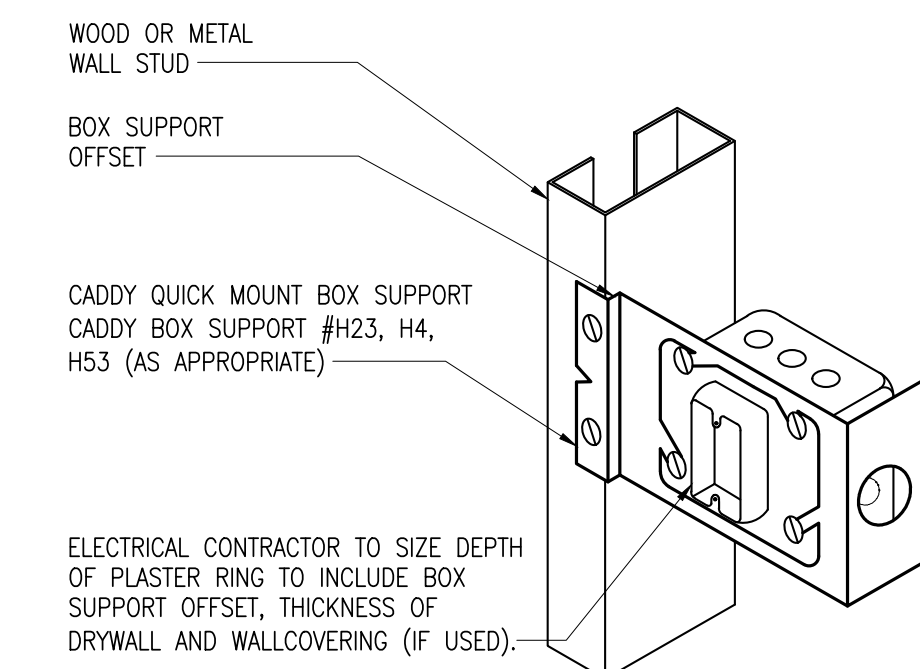
6 JUNCTION BOX DETAIL
NO SCALE



SOME EXAMPLES:
- 3/4" PLASTER RING FOR SINGLE LAYER 5/8" GYPSUM BOARD WALL FINISH
- 1" PLASTER RING FOR TWO LAYER WALL FINISH 1/2" OVER 1/4"



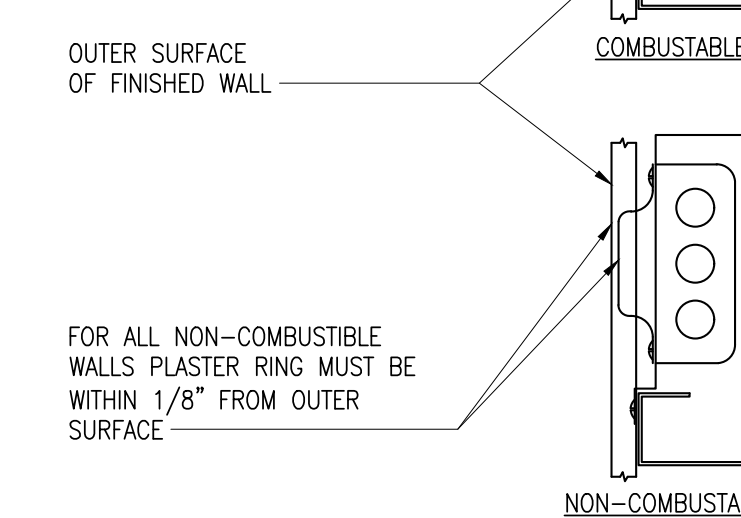
2 MULTIPLE BOX SUPPORT DETAIL
NO SCALE



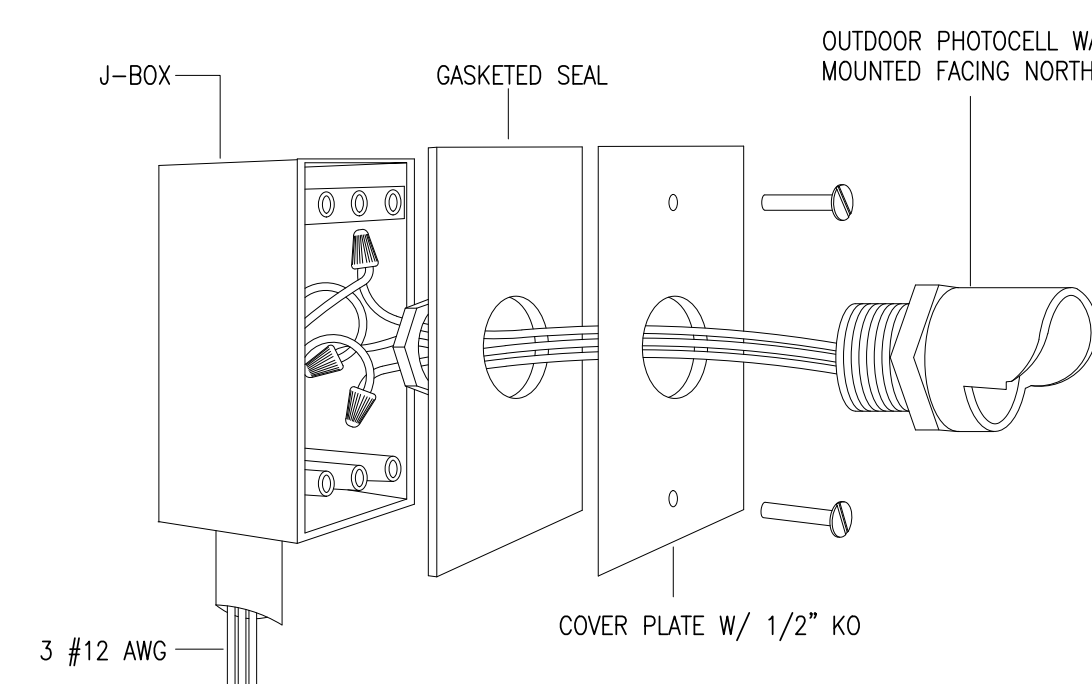
ELECTRICAL CONTRACTOR TO SIZE DEPTH OF PLASTER RING TO INCLUDE BOX SUPPORT OFFSET, THICKNESS OF DRYWALL AND WALLCOVERING (IF USED).

SOME EXAMPLES:
- 3/4" PLASTER RING FOR SINGLE LAYER 5/8" GYPSUM BOARD WALL FINISH
- 1" PLASTER RING FOR TWO LAYER WALL FINISH 1/2" OVER 1/4"

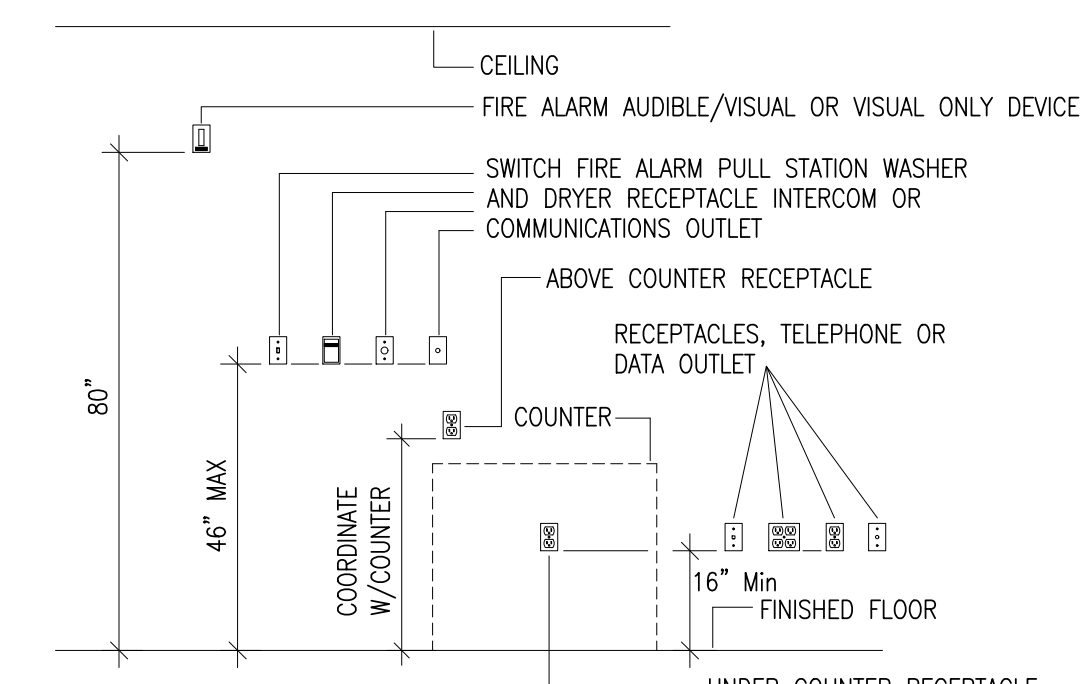
FOR ALL COMBUSTIBLE WALLS PLASTER RING MUST BE FLUSH WITH OUTER SURFACE OF WALL.



1 BOX SUPPORT DETAIL
NO SCALE



5 OUTDOOR PHOTOCELL
NOT TO SCALE



4 TYP OUTLET MOUNTING DETAIL
NOT TO SCALE

MECHANICAL EQUIPMENT SCHEDULE											
CALLOUT	DESCRIPTION	VOLTS	HP	KVA	MCA	MOCF	CIRCUIT	WIRE CALLOUT	DISCONNECT	DISC PROV BY	DISC INST BY
CU-1	CONDENSING UNIT	208V 2P 2W		6.53	39.25	50	LSR-12,14	3/4"2#8,#10G	NON-FUSED	MC	EC
EF-1	EXHAUST FAN	120V 1P 2W	1/4 HP	0.7	4.75	15	LSR-10	3/4"1#10,#10N,#10G	TOGGLE SWITCH	MC	EC
EFH-1	ELECTRIC FAN FORCED HEATER	208V 2P 2W		2	12	15	LSR-16,18	3/4"2#12,#12G	NON-FUSED	MC	EC
EFH-2	ELECTRIC FAN FORCED HEATER	208V 2P 2W		2	12	15	LSR-20,22	3/4"2#12,#12G	NON-FUSED	MC	EC
F-1	GAS FURACE	120V 1P 2W	1 HP	1.92	16	20	LSR-24	3/4"1#12,#12N,#12G	NON-FUSED	MC	EC
SF-1	SUPPLY FAN	277V 1P 2W	1/4 HP	0.7	4.75	15	EM-1	3/4"1#12,#12N,#12G	NON-FUSED	MC	EC
WH-1	ELECTRIC WATER HEATER	208V 2P 2W		4.58	27.5	35	LSR-6,8	3/4"2#10,#10G	NON-FUSED	EC	EC

Panel		ROOM	MECH/ELEC RM	VOLTS	480Y/277V 3P 4W	AIC	65,000
HSR		MOUNTING	SURFACE	BUS AMPS	100	MAIN BKR	60
		FED FROM	ATS	NEUTRAL	100%	LUGS	STANDARD
NOTE							
CKT #	CKT BKR	LOAD KVA	CIRCUIT DESCRIPTION	CKT #	CKT BKR	LOAD KVA	CIRCUIT DESCRIPTION
1	50/3	20.1	XFMR TSR	a	2	20/1	0.54 LIGHTING
3				b	4	20/1	0 SPACE
5				c	6	20/1	0 SPACE
7	20/1	0	SPACE	a	8	20/1	0 SPACE
9	20/1	0	SPACE	b	10	20/1	0 SPACE
11	20/1	0	SPACE	c	12	20/1	0 SPACE
13	20/1	0	SPACE	a	14	20/1	0 SPACE
15	20/1	0	SPACE	b	16	20/1	0 SPACE
17	20/1	0	SPACE	c	18	20/1	0 SPACE
19	20/1	0	SPACE	a	20	20/1	0 SPACE
21	20/1	0	SPACE	b	22	20/1	0 SPACE
23	20/1	0	SPACE	c	24	20/1	0 SPACE
				CONN KVA		CALC KVA	
LIGHTING				0.54		0.675 (125%)	
LARGEST MOTOR				6.53		1.63 (25%)	
MOTORS				0.696		0.696 (100%)	
				CONN KVA		CALC KVA	
				2.34		2.34 (50%>10)	
				10.5		10.5 (100%)	
				6.53		0 (0%)	
				TOTAL LOAD		15.8	
				BALANCED 3-PHASE LOAD		19.1 A	
				PHASE A		120%	
				PHASE B		52.9%	
				PHASE C		127%	

Panel		ROOM	MECH/ELEC RM	VOLTS	480Y/277V 3P 4W	AIC	65,000
EM		MOUNTING	SURFACE	BUS AMPS	100	MAIN BKR	60
		FED FROM	ATS	NEUTRAL	100%	LUGS	STANDARD
NOTE							
CKT #	CKT BKR	LOAD KVA	CIRCUIT DESCRIPTION	CKT #	CKT BKR	LOAD KVA	CIRCUIT DESCRIPTION
1	15/1	0.696	SF-1	a	2	20/1	0.35 EMERGENCY LIGHTING
3	20/1	0.18	MOTORIZED DADMPER	b	4	20/1	0 SPACE
5	20/1	0	SPACE	c	6	20/1	0 SPACE
7	20/1	0	SPACE	a	8	20/1	0 SPACE
9	20/1	0	SPACE	b	10	20/1	0 SPACE
11	20/1	0	SPACE	c	12	20/1	0 SPACE
				CONN KVA		CALC KVA	
LIGHTING				0.35		0.438 (125%)	
LARGEST MOTOR				0.696		0.174 (25%)	
				CONN KVA		CALC KVA	
				0.696		0.696 (100%)	
				0.18		0.18 (50%>10)	
				TOTAL LOAD		1.49	
				BALANCED 3-PHASE LOAD		1.79 A	
				PHASE A		256%	
				PHASE B		44%	
				PHASE C		0%	

Panel		ROOM	MECH/ELEC RM	VOLTS	208Y/120V 3P 4W	AIC	65,000
LSR		MOUNTING	SURFACE	BUS AMPS	100	MAIN BKR	100
		FED FROM	TSR	NEUTRAL	100%	LUGS	STANDARD
NOTE							
CKT #	CKT BKR	LOAD KVA	CIRCUIT DESCRIPTION	CKT #	CKT BKR	LOAD KVA	CIRCUIT DESCRIPTION
1	20/1	0.54	SAFEROOM RECEPTACLE	a	2	20/1	0.18 WATER COOLER
3	20/1	0.72	SAFEROOM RECEPTACLE	b	4	20/1	0.18 TRAP PRIMER
5	20/1	0	SAFEROOM RECEPTACLE	c	6	35/2	4.58 WH-1
7	20/1	0.18	ROOF RECEPTACLE	a	8		
9	20/1	0.18	BLOCK HEATER	b	10	15/1	0.696 EF-1
11	20/1	0.18	BATTERY HEATER	c	12	50/2	6.53 CU-1
13	20/1	0.18	BATTERY CHARGER	a	14		
15	20/1	0	SPACE	b	16	15/2	2 EFH-1
17	20/1	0	SPACE	c	18		
19	20/1	0	SPACE	a	20	15/2	2 EFH-2
21	20/1	0	SPACE	b	22		
23	20/1	0	SPACE	c	24	20/1	1.92 F-1
				CONN KVA		CALC KVA	
LARGEST MOTOR				6.53		1.63 (25%)	
MOTORS				0.696		0.696 (100%)	
				CONN KVA		CALC KVA	
				2.34		2.34 (50%>10)	
				10.5		10.5 (100%)	
				6.53		0 (0%)	
				TOTAL LOAD		15.2	
				BALANCED 3-PHASE LOAD		42.1 A	
				PHASE A		116%	
				PHASE B		54.2%	
				PHASE C		130%	

AGP

the Abila Griffin Partnership L.L.C.

201 N. BROADWAY
SUITE 210
MOORE, OK. 73160
405.735.3477
AGP@theAGP.net
www.theAGP.net

CEDAR CREEK INC.

CIVIL

KFC ENGINEERING

STRUCTURAL

SALAS O'BRIEN

MECHANICAL / ELECTRICAL



BB
drawn by
TVO
checked by
OCTOBER 2022
date
revisions

MOORE PUBLIC SCHOOLS
BOARD OF EDUCATION
MOORE, OKLAHOMA



NEW ADDITION
KELLEY ELEMENTARY
SCHOOL

sheet no:

E601



2600 Van Buren St., Suite 2635
Norman, Oklahoma 73072
P: 405.364.9926 | CA#:7058 Expiration Date: 6/30/2023

Salas O'Brien Project No.: 2022-04164-00

OWNERSHIP USE OF DOCUMENTS:
AGP EXPRESSLY RESERVES ITS
COPYRIGHT AND OTHER PROPERTY
RIGHTS OF ALL PLANS AND DRAWINGS
DESIGNED AND/OR PRODUCED. PLANS
AND DRAWINGS ARE NOT TO BE
REPRODUCED IN ANY FORM OR MANNER
WITHOUT THE EXPRESSED WRITTEN
CONSENT OF AGP.