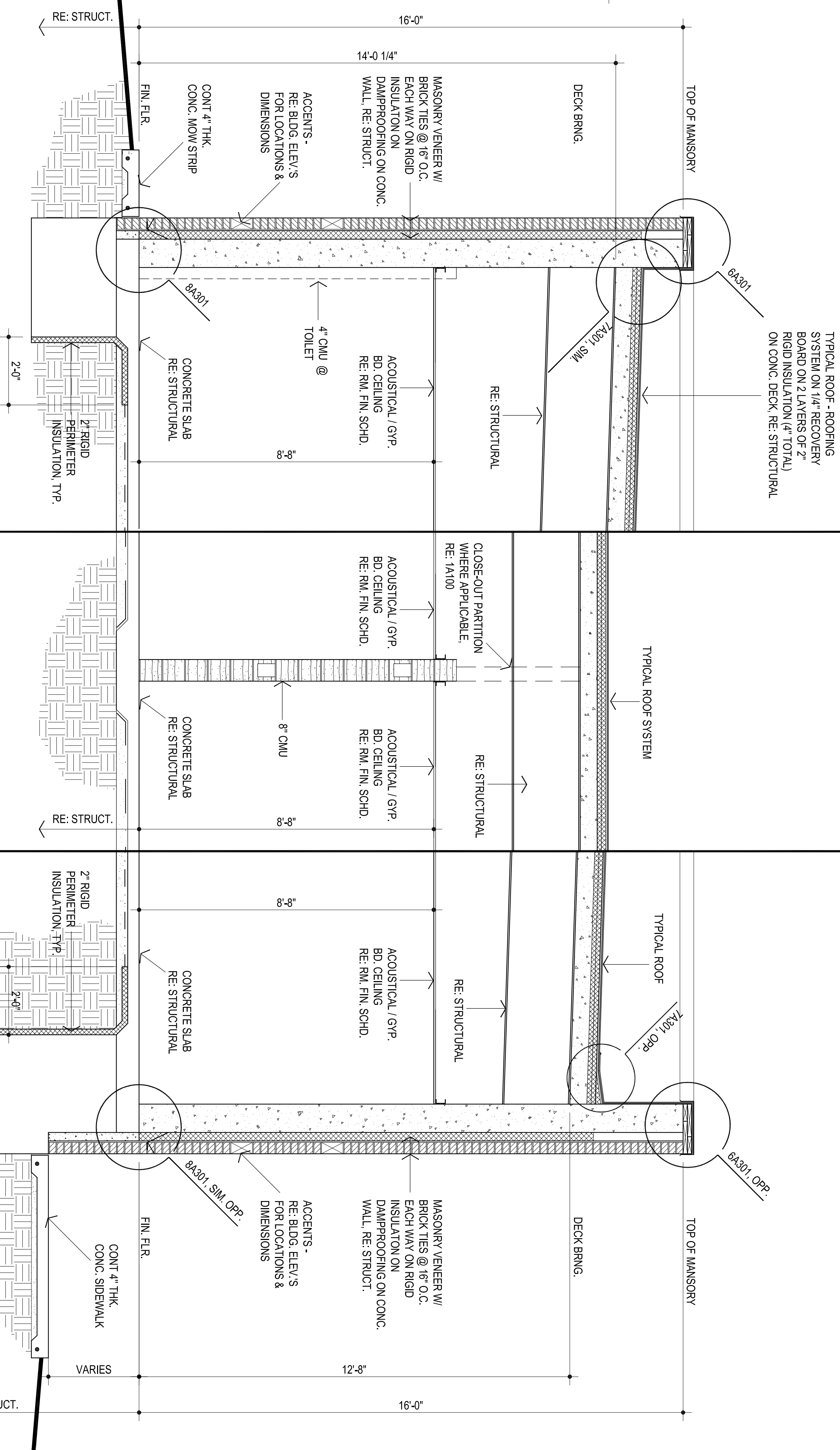


1
BUILDING SECTION
1/8" = 1'-0"

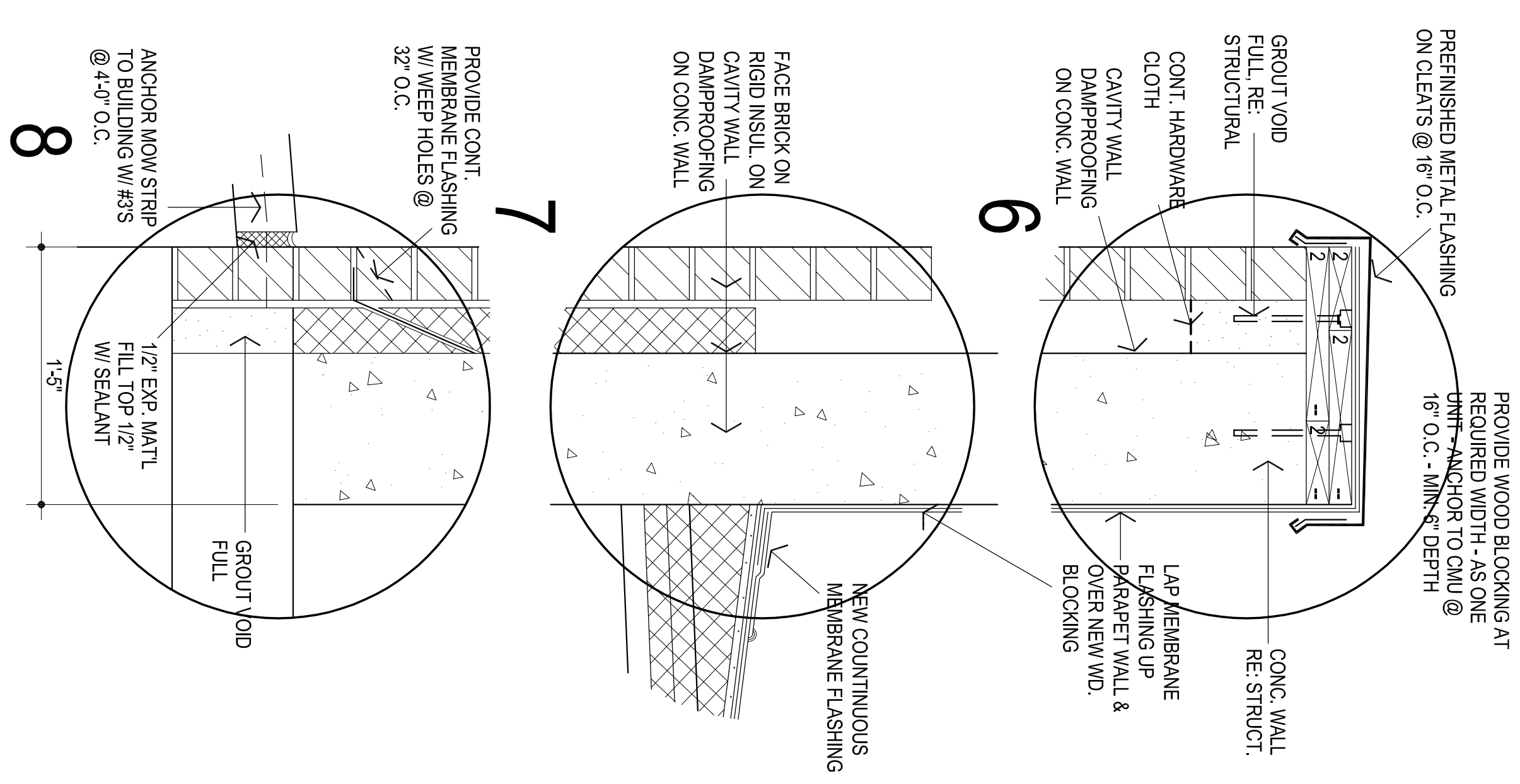
2
BUILDING SECTION
1/8" = 1'-0"



3
WALL SECTION
1/2" = 1'-0"

4
WALL SECTION
1/2" = 1'-0"

5
WALL SECTION
1/2" = 1'-0"



6

7

8

AGP
the Abia Griffin Partnership L.L.C.
201 N. BROADWAY
SUITE 210
MOORE, OK. 73160
405.735.3477
ACGP@theACGP.net
www.theACGP.net

CEADAR CREEK INC.
CIVIL
KFC ENGINEERING
STRUCTURAL
SALAS OBRIEN
MECHANICAL/ELECTRICAL

STATE OF OKLAHOMA
MICHAEL L. ABIA, L.
2839
REGISTERED PROFESSIONAL ENGINEER
10/14/22

CS
drawn by
checked by
OCTOBER 2022
date
revisions

MOORE PUBLIC SCHOOLS
BOARD OF EDUCATION
MOORE, OKLAHOMA

MOORE Public Schools
LEARNING FOR LIFE

NEW ADDITION
KELLEY ELEMENTARY
SCHOOL

Sheet no.
A301

BUILDING / WALL SECTIONS
OWNERSHIP USE OF DOCUMENTS:
AGP EXPRESSLY RESERVES ITS
COPYRIGHT AND OTHER PROPERTY
RIGHTS OF ALL PLANS AND DRAWINGS
DESIGNED AND/OR PRODUCED BY AGP.
REPRODUCED IN ANY FORM OR MANNER
WITHOUT THE EXPRESSED WRITTEN
CONSENT OF AGP.