



CS
drawn by _____
MA
checked by _____
OCTOBER 2022
date _____
revisions _____

MOORE PUBLIC SCHOOLS
BOARD OF EDUCATION
MOORE, OKLAHOMA

MOORE Public Schools
LEARNING FOR LIFE

NEW ADDITION
KELLEY ELEMENTARY
SCHOOL

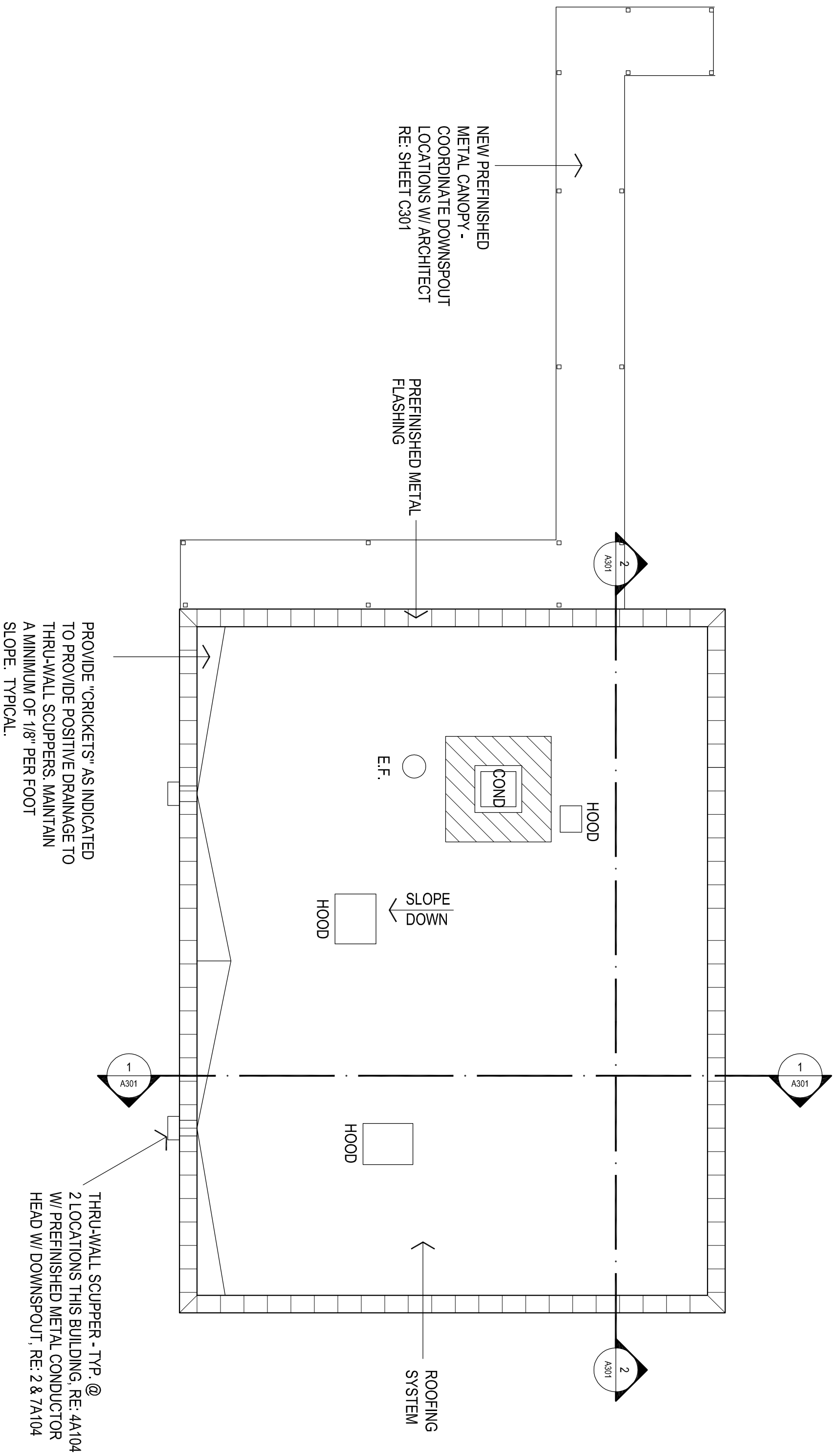
Sheet No.

A104

ROOF PLAN

OWNERSHIP USE OF DOCUMENTS:

AGP EXPRESSLY RESERVES ITS
COPYRIGHT AND OTHER PROPERTY
RIGHTS OF ALL PLANS AND DRAWINGS
DESIGNED AND/OR PRODUCED BY
AGP. ANY REPRODUCTION OF ANY
PART OF THESE PLANS OR DRAWINGS
WITHOUT THE EXPRESSED WRITTEN
CONSENT OF AGP.

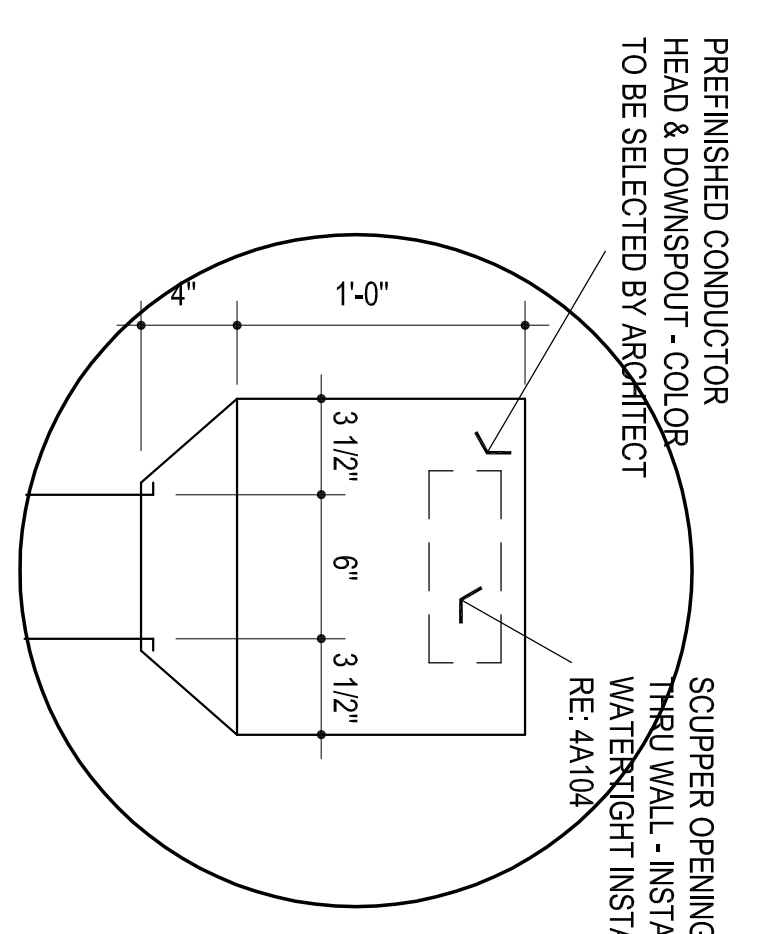


1 ROOF PLAN
1/8" = 1'-0"

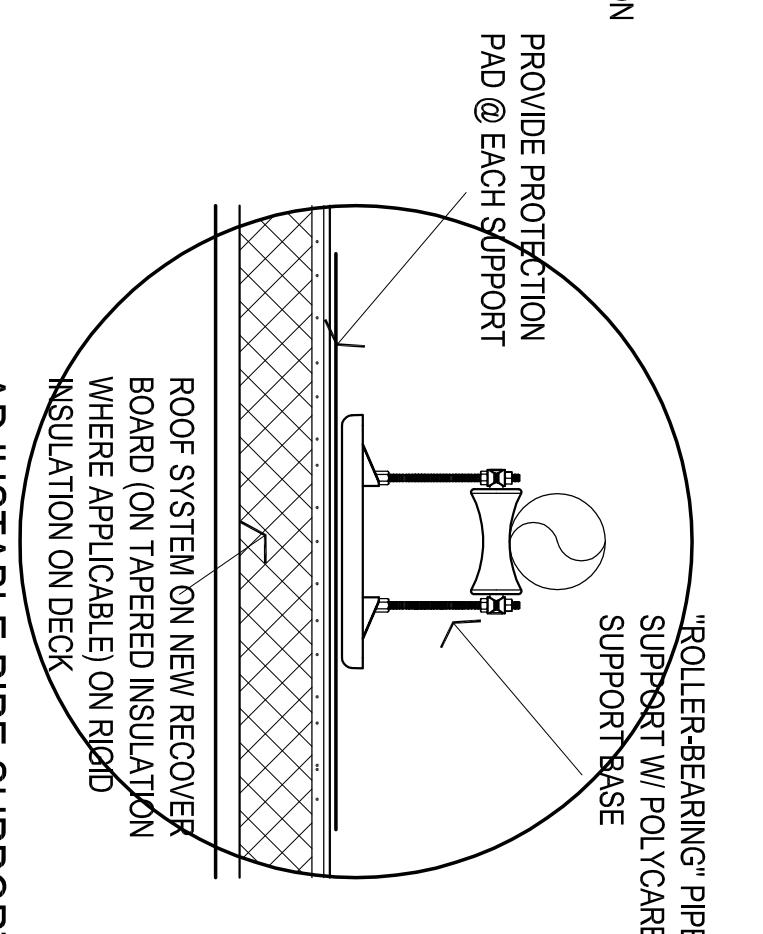


NOTES:

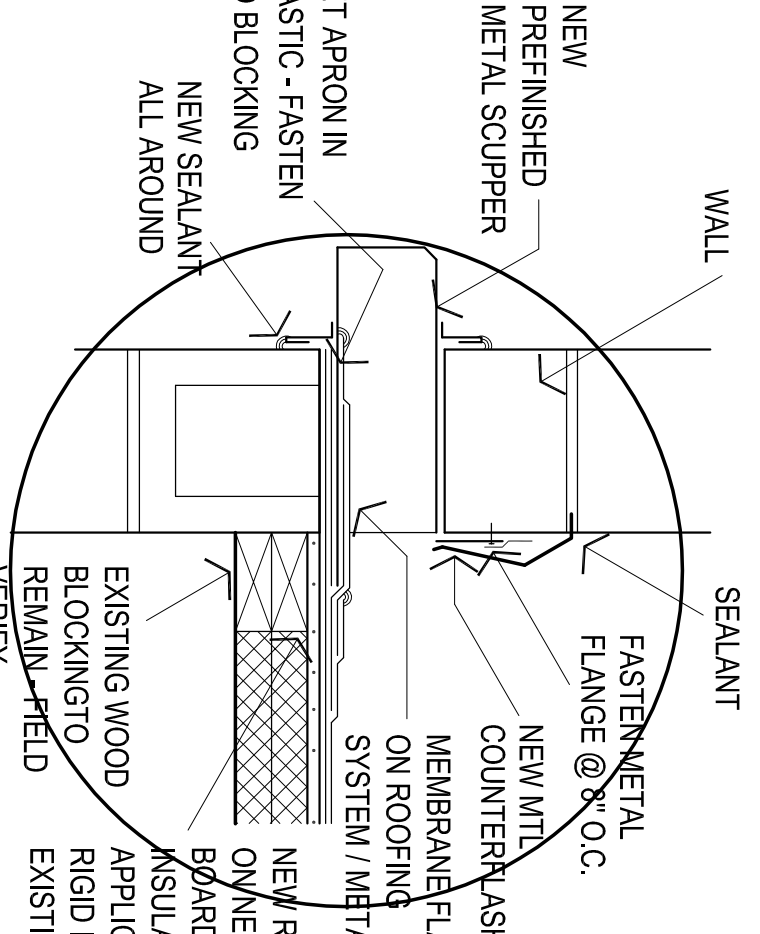
1. RE: MECH & ELEC. FOR ADDITIONAL ROOF MOUNTED ITEMS. CONTRACTOR TO COORDINATE ALL ROOF MOUNTED ITEMS & PENETRATIONS W/ APPLICABLE TRADES. PROVIDE "CRICKETS" AT HIGH SIDE OF ALL CURBS.
2. _____ GAS LINE. REFER 3A104 FOR SUPPORT
3. _____
4. CONTRACTOR TO COORDINATE ROOF-VENT PENETRATIONS W/ ARCHITECT.



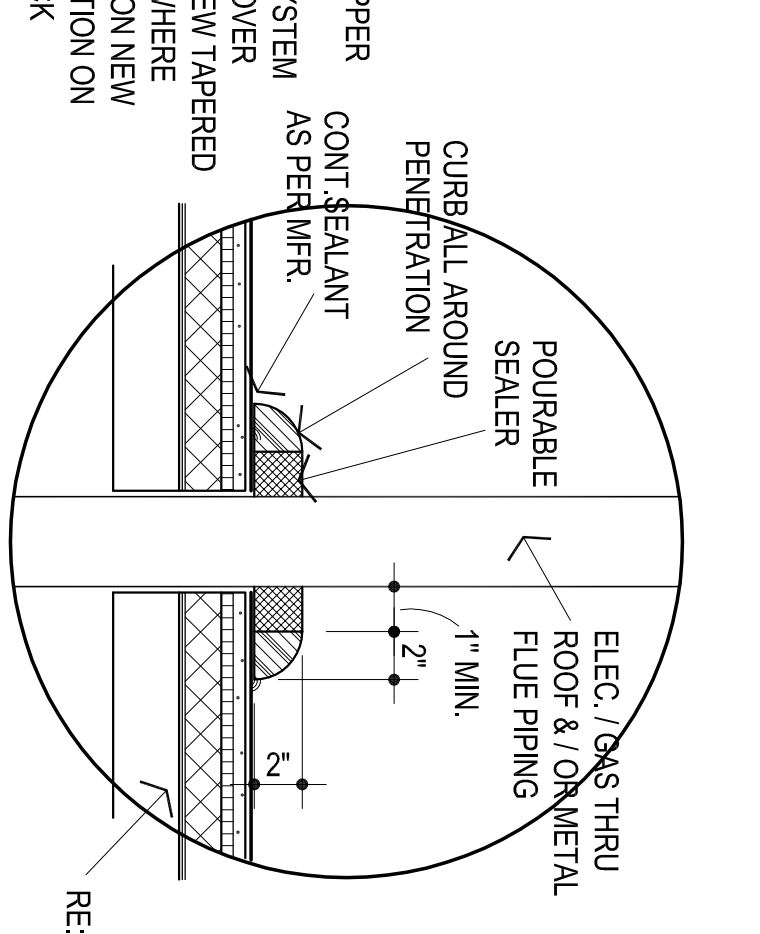
2 COND. HEAD - FRONT
NO SCALE



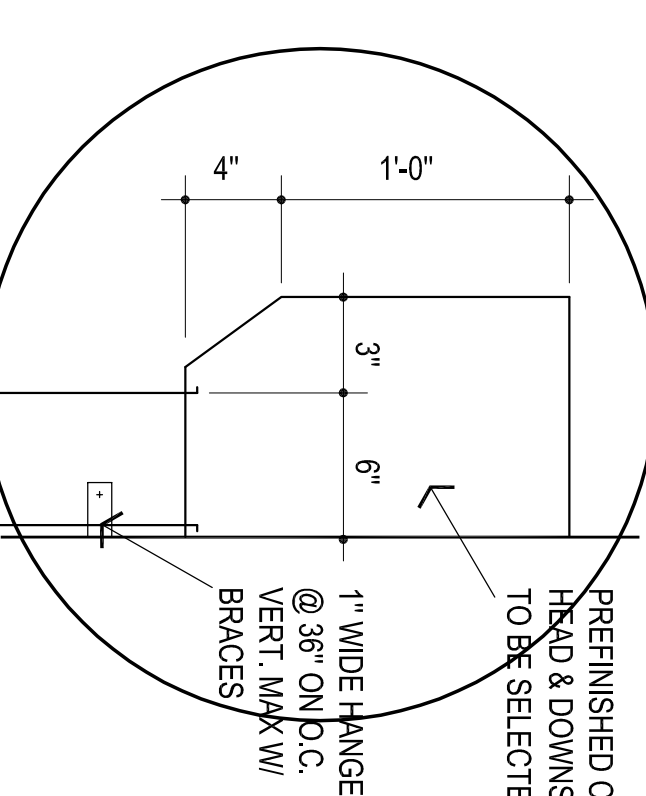
3 ADJUSTABLE PIPE SUPPORTS - FRONT VIEW
NO SCALE



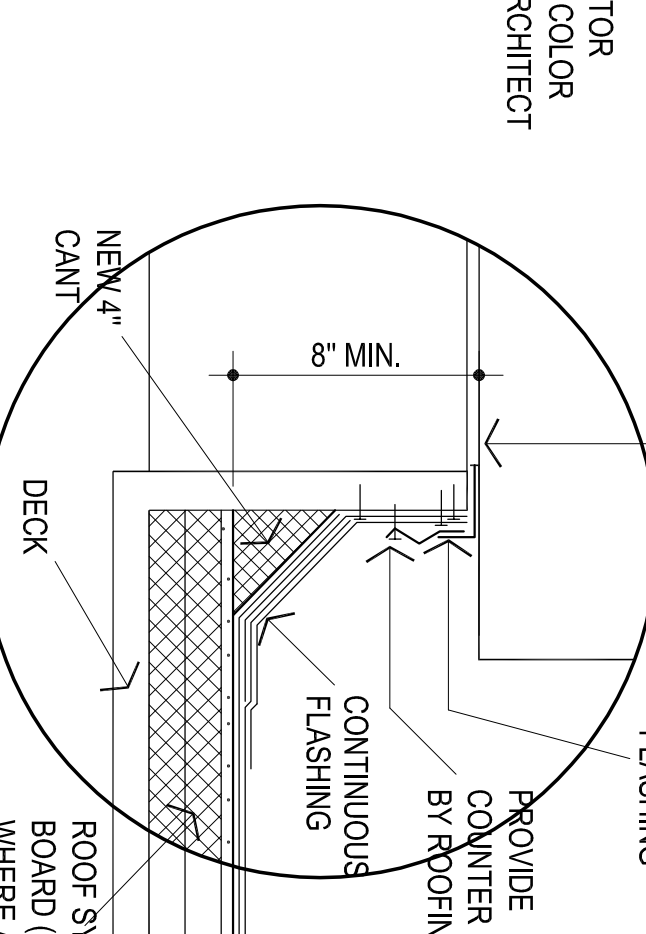
4 SCUPPER DETAIL
NO SCALE



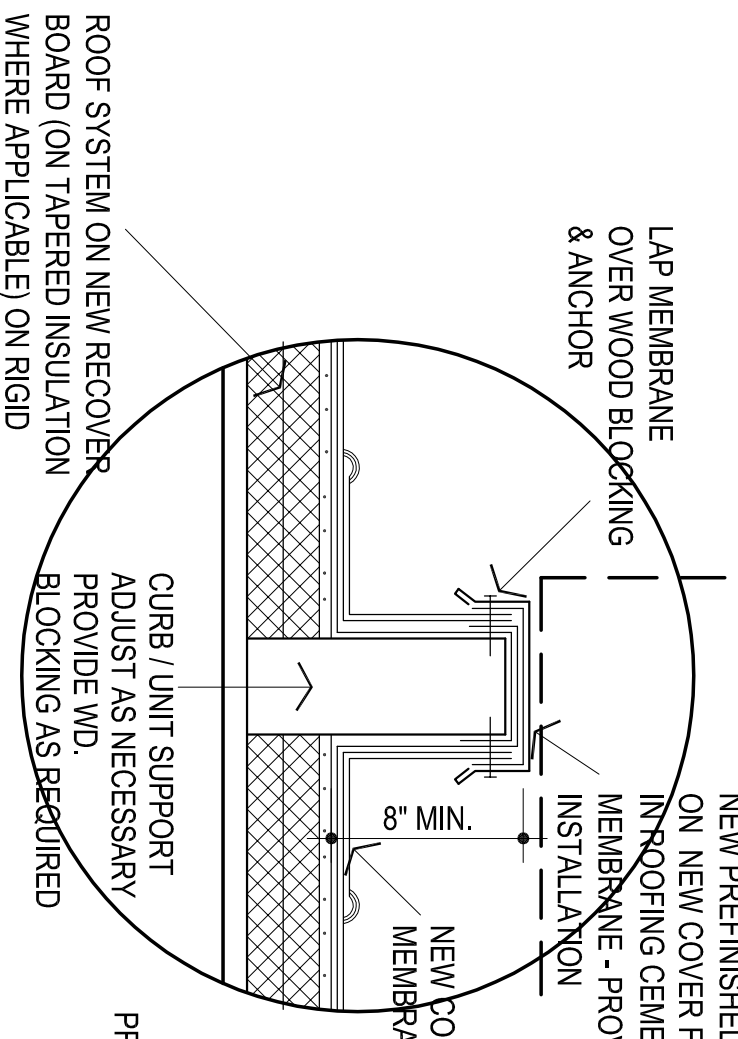
5 PENETRATION DAM / SEALER POCKET @ MAJOR PENETRATIONS
MECH. EQUIPMENT
NO SCALE



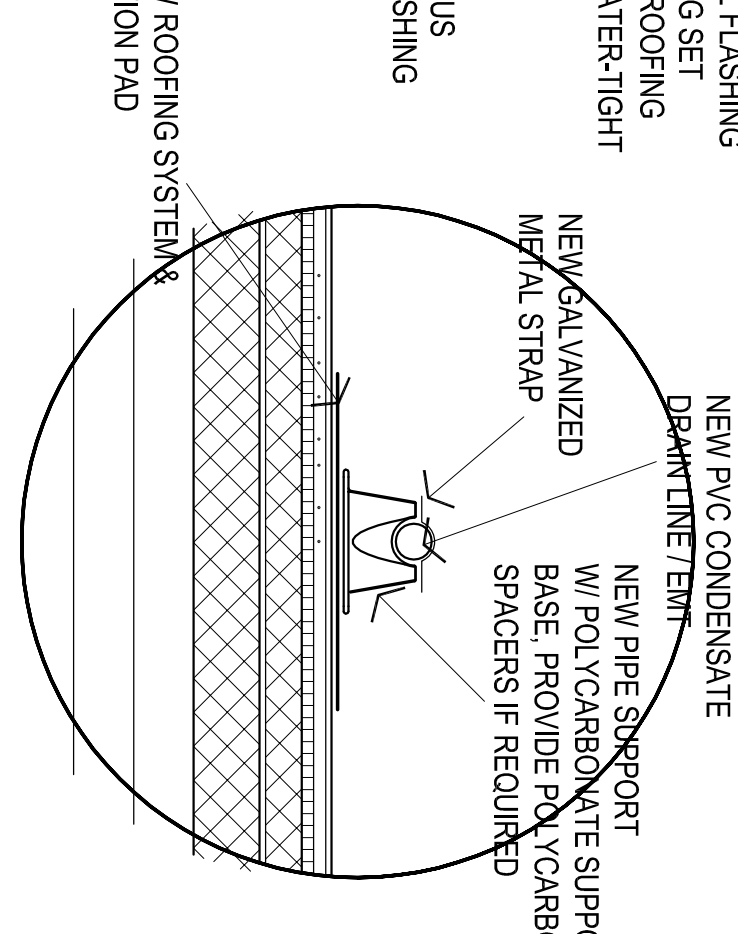
6 COND. HEAD - SIDE
NO SCALE



7 CURB FLASHING DETAIL
NO SCALE



8 CURB FLASHING DETAIL
NO SCALE



9 DETAIL @ PVC / EMT SUPPORT
NO SCALE