



CG
drawn by _____

MA
checked by _____
AUGUST 2024
date

revisions

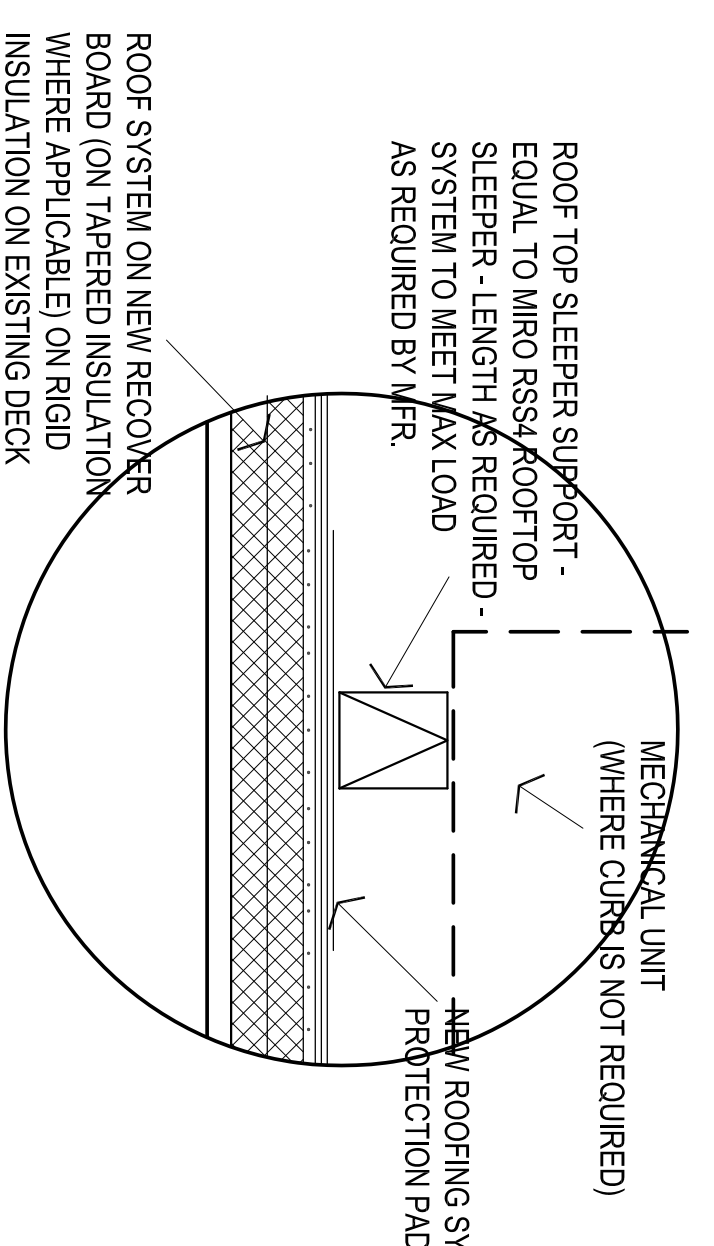
Sheet no.:

A104

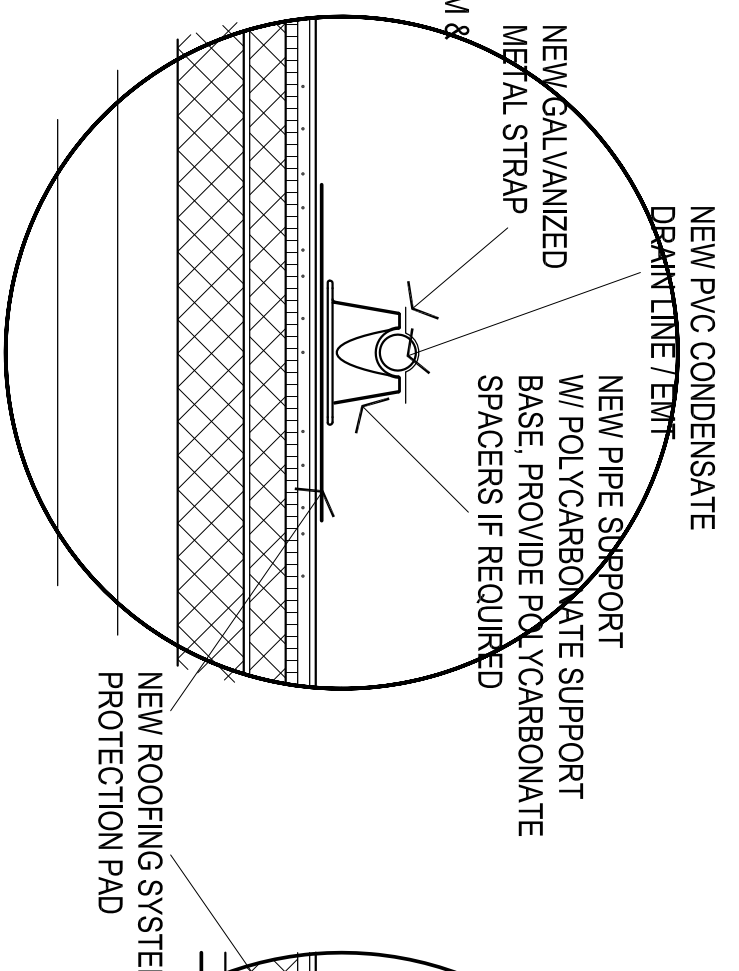
OWNERSHIP USE OF DOCUMENTS:
AGP EXPRESSLY RESERVES ITS
COPYRIGHT AND OTHER PROPERTY
RIGHTS OF ALL PLANS AND DRAWINGS
DESIGNED AND/OR PRODUCED. PLANS
AND DRAWINGS ARE NOT TO BE
REPRODUCED IN ANY FORM OR MANNER
WITHOUT THE EXPRESS WRITTEN
CONSENT OF AGP.

MOORE
PUBLIC SCHOOLS

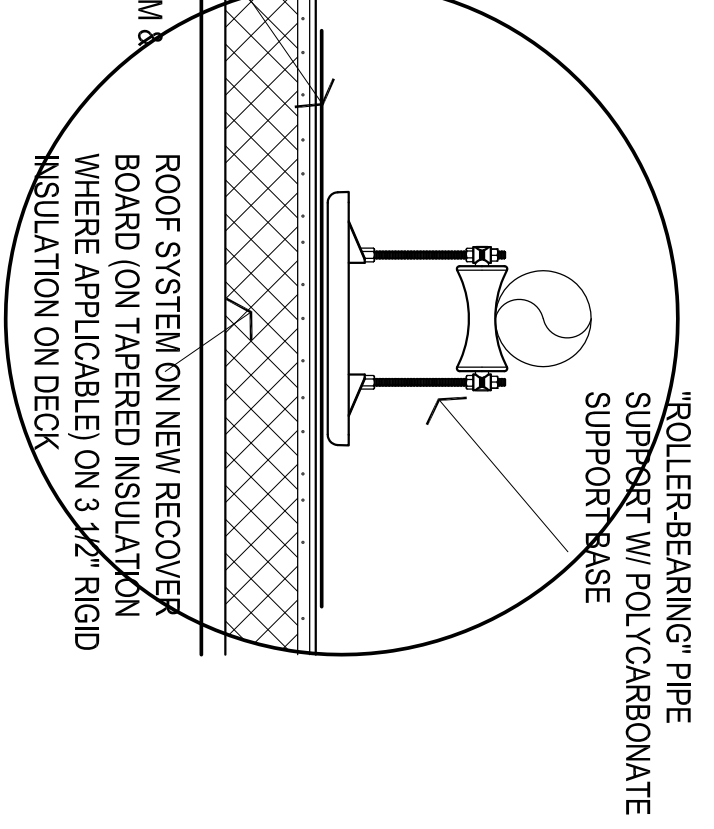
HOUGHIN ELEMENTARY
HVAC UPGRADE



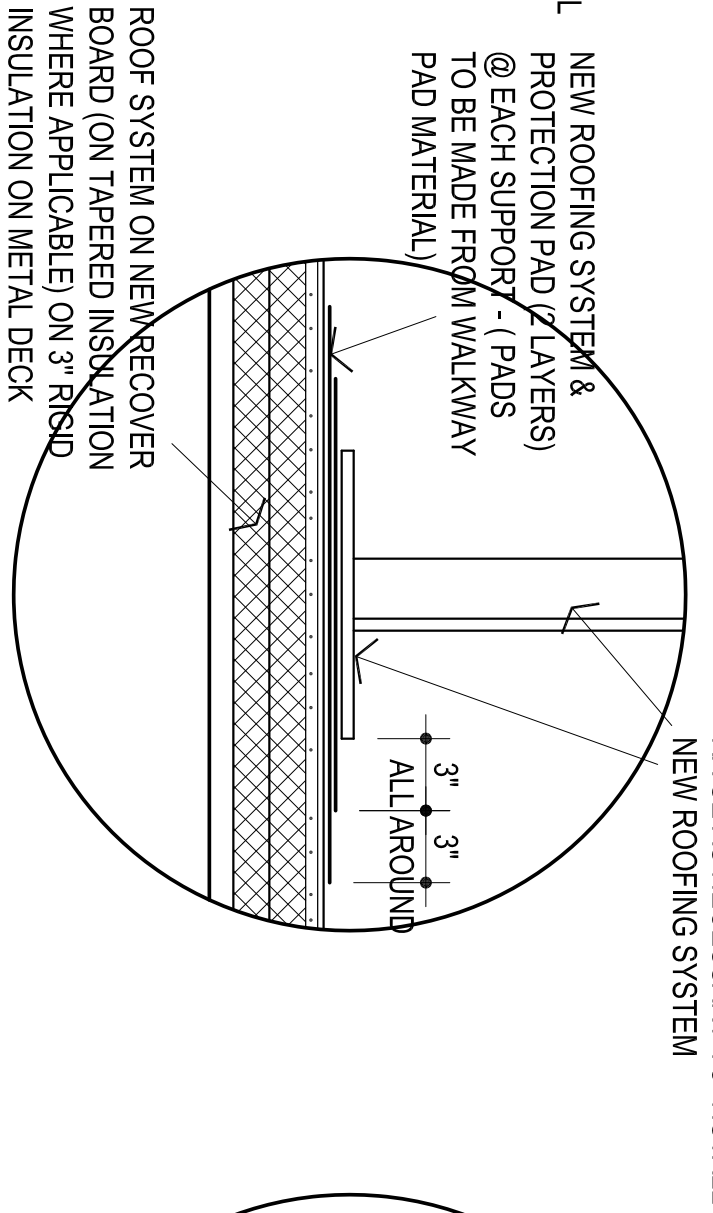
1
MECH. UNIT SUPPORT
NO SCALE



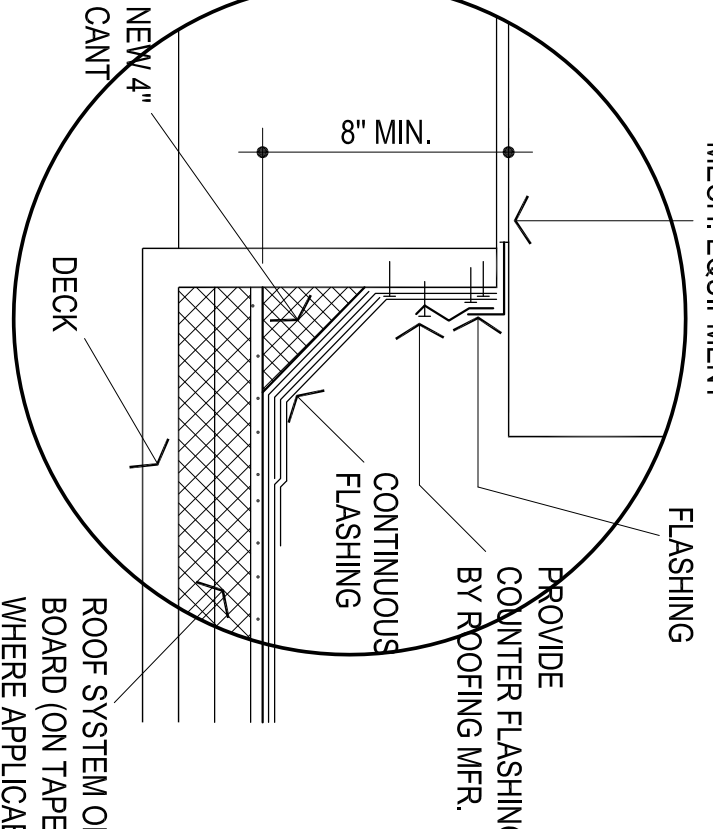
2
DETAIL @ PVC / EMT SUPPORT
NO SCALE



3
ADJUSTABLE PIPE SUPPORTS - FRONT VIEW
NO SCALE



4
PENETRATION DAM / SEALER POCKET @ MAJOR PENETRATIONS
NO SCALE



5
DETAIL @ EQUIPMENT SUPPORT
NO SCALE



6
DETAIL @ EQUIPMENT FAN CURB FLASHING
NO SCALE