

313 S. E. 5th Street
 MOORE, OK, 73160
 405.735.3477
 AGP@theAGP.net
 www.theAGP.net

KFC ENGINEERING
 STRUCTURAL
 SALAS O'BRIEN
 MECHANICAL / ELECTRICAL



8/14/24

CG
 drawn by
 MA
 checked by
 AUGUST 2024
 date
 revisions



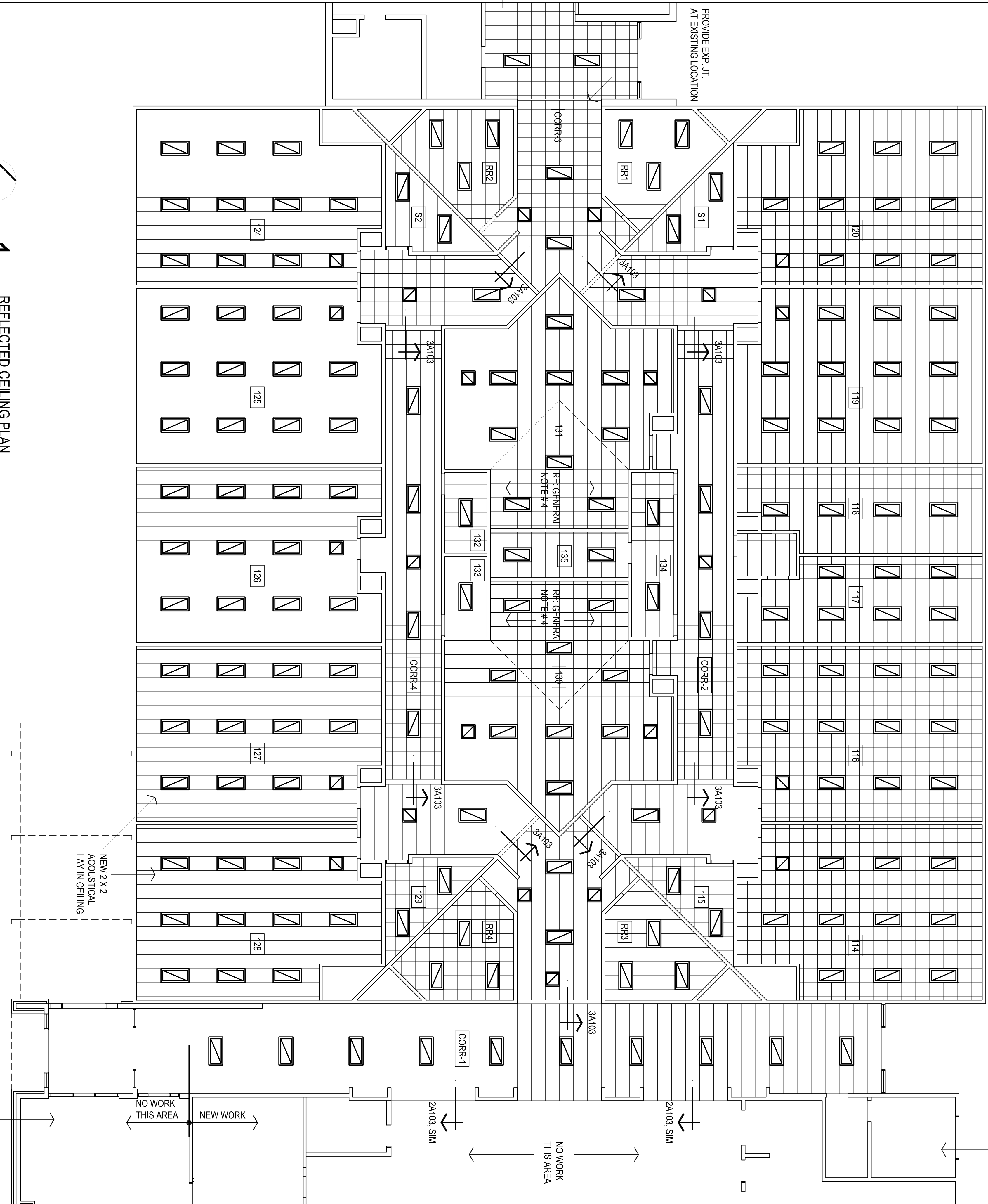
MOORE
 PUBLIC SCHOOLS

HOUGHIN ELEMENTARY
 HVAC UPGRADE

Sheet no:
A102

OWNERSHIP USE OF DOCUMENTS:
 AGP EXPRESSLY RESERVES ITS
 COPYRIGHT AND OTHER PROPERTY
 RIGHTS OF ALL PLANS AND DRAWINGS
 DESIGNED AND/OR PRODUCED. PLANS
 AND DRAWINGS ARE NOT TO BE
 REPRODUCED IN ANY FORM OR MANNER
 WITHOUT THE EXPRESS WRITTEN
 CONSENT OF AGP.

REFER MEP FOR
 WORK THIS AREA



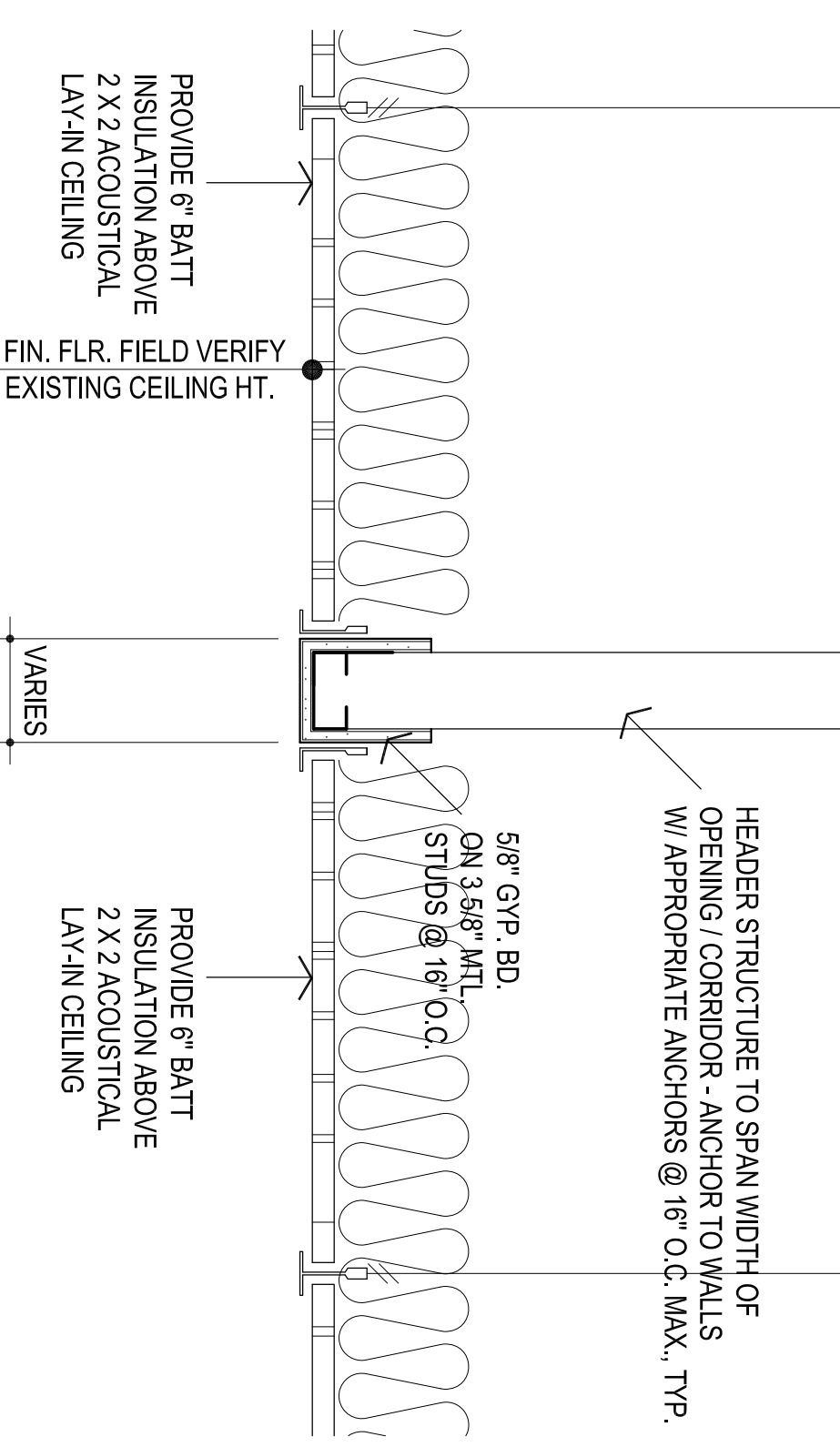
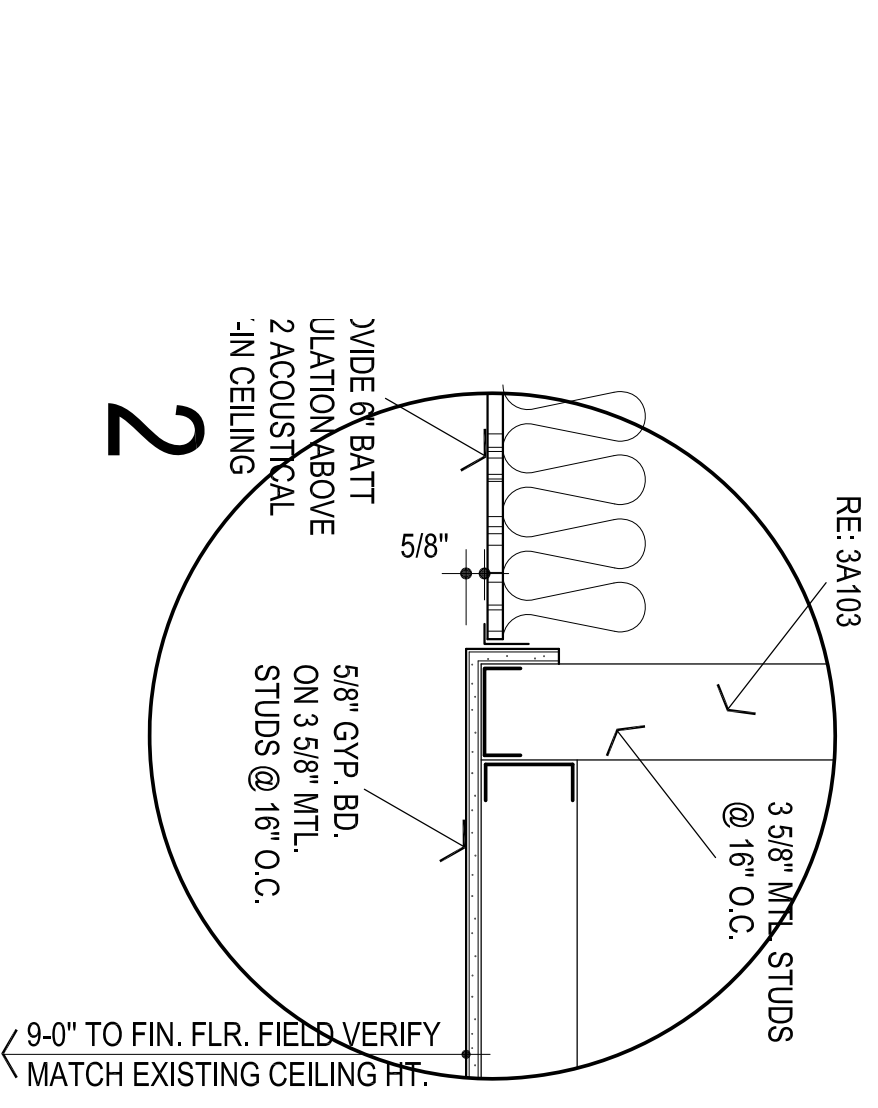
NO WORK
 THIS AREA

NO WORK
 THIS AREA

NO WORK
 THIS AREA

NO WORK
 THIS AREA

NO WORK
 THIS AREA



9'-0" TO FIN. FLR. FIELD VERIFY
 MATCH EXISTING CEILING HT.

9'-0" TO FIN. FLR. FIELD VERIFY
 MATCH EXISTING CEILING HT.

2

3
 1 1/2" = 1'-0"

LEGEND:
 □ MECHANICAL OPENINGS
 ○ ELECTRICAL FIXTURES
 ⊙ CEILING MOUNTED SMOKE DETECTOR, RE: ELEC

NOTES:
 1. REFER MECHANICAL & ELECTRICAL FOR ANY ADDITIONAL CEILING MOUNTED FIXTURES
 2. REFER TO SHEET A100 FOR LOCATIONS OF FIRE-RATED WALLS
 3. ALL CORRIDOR CEILING TILES TO HAVE REGULAR EDGE. ALL OTHER ROOMS (CLASSROOMS, ETC.) SHALL HAVE SQUARE EDGES.
 4. REVISE EXISTING FIRE SUPPRESSION HEADS AS REQUIRED W/ NEW CEILING HEIGHTS & NEW MECHANICAL EQUIPMENT.

REFLECTED CEILING PLAN
 1/8" = 1'-0"

