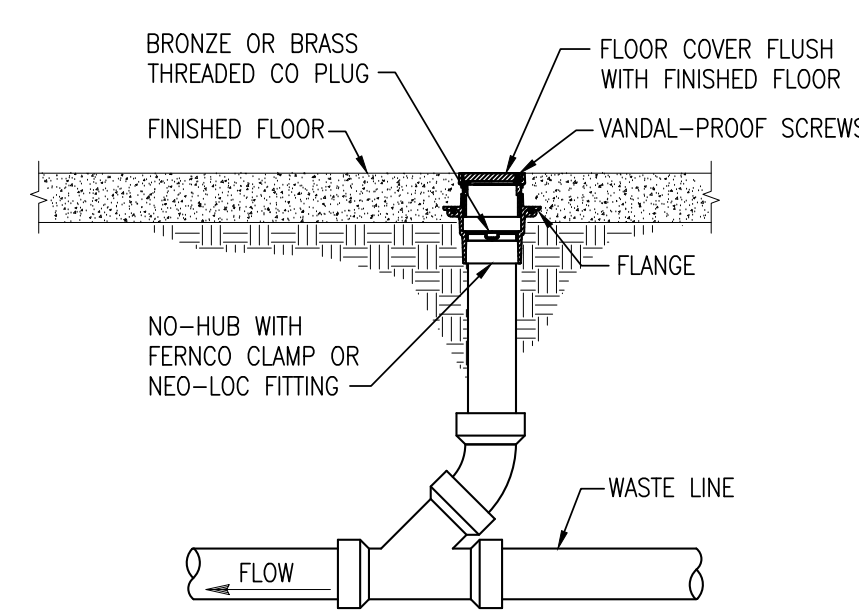
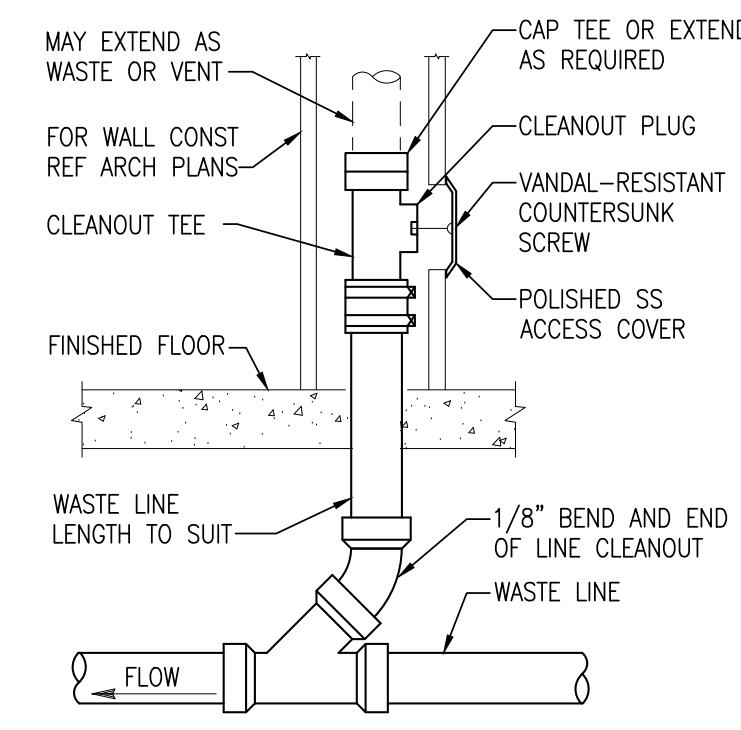


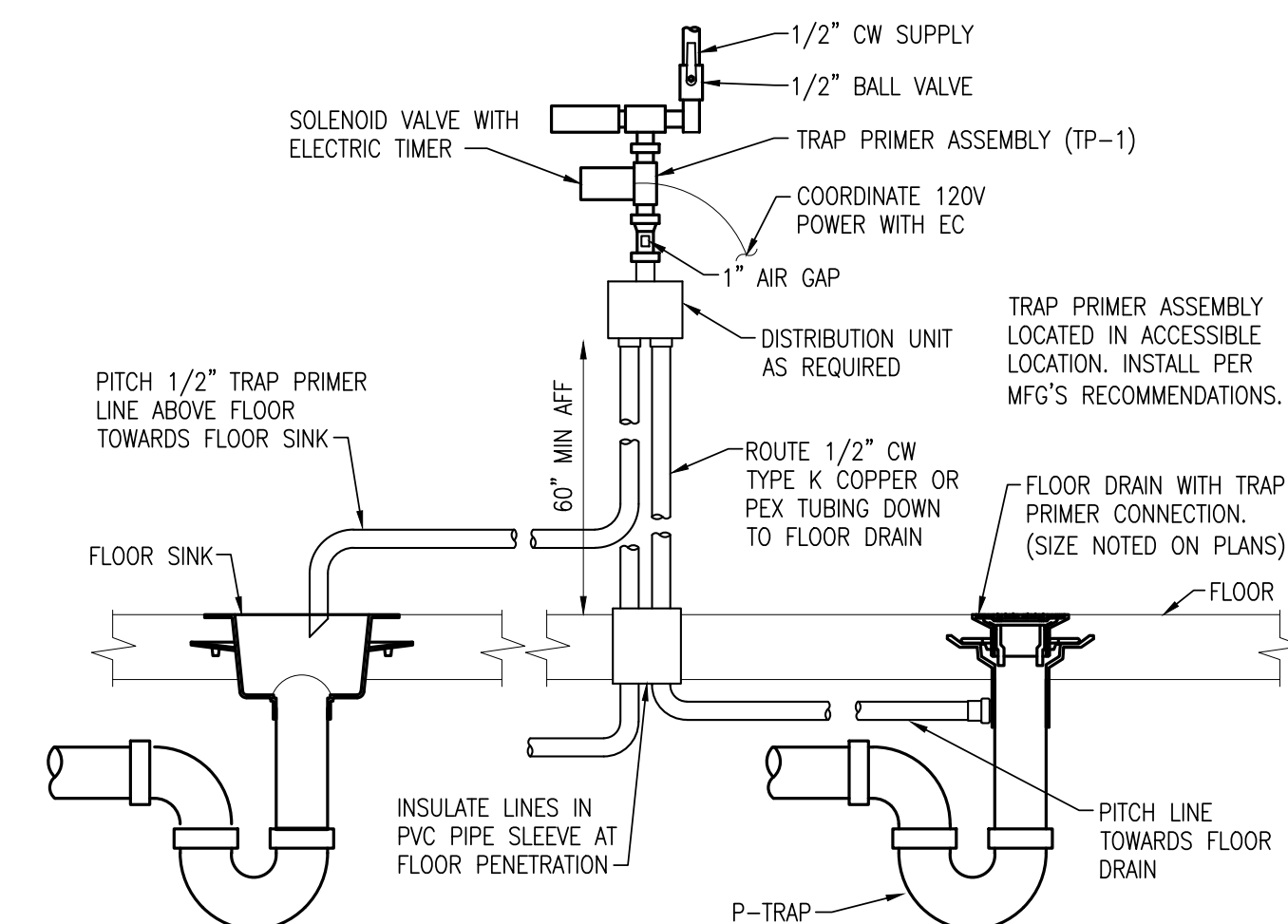
4 BACKWATER VALVE & EXTERIOR CLEANOUT DETAIL
NOT TO SCALE



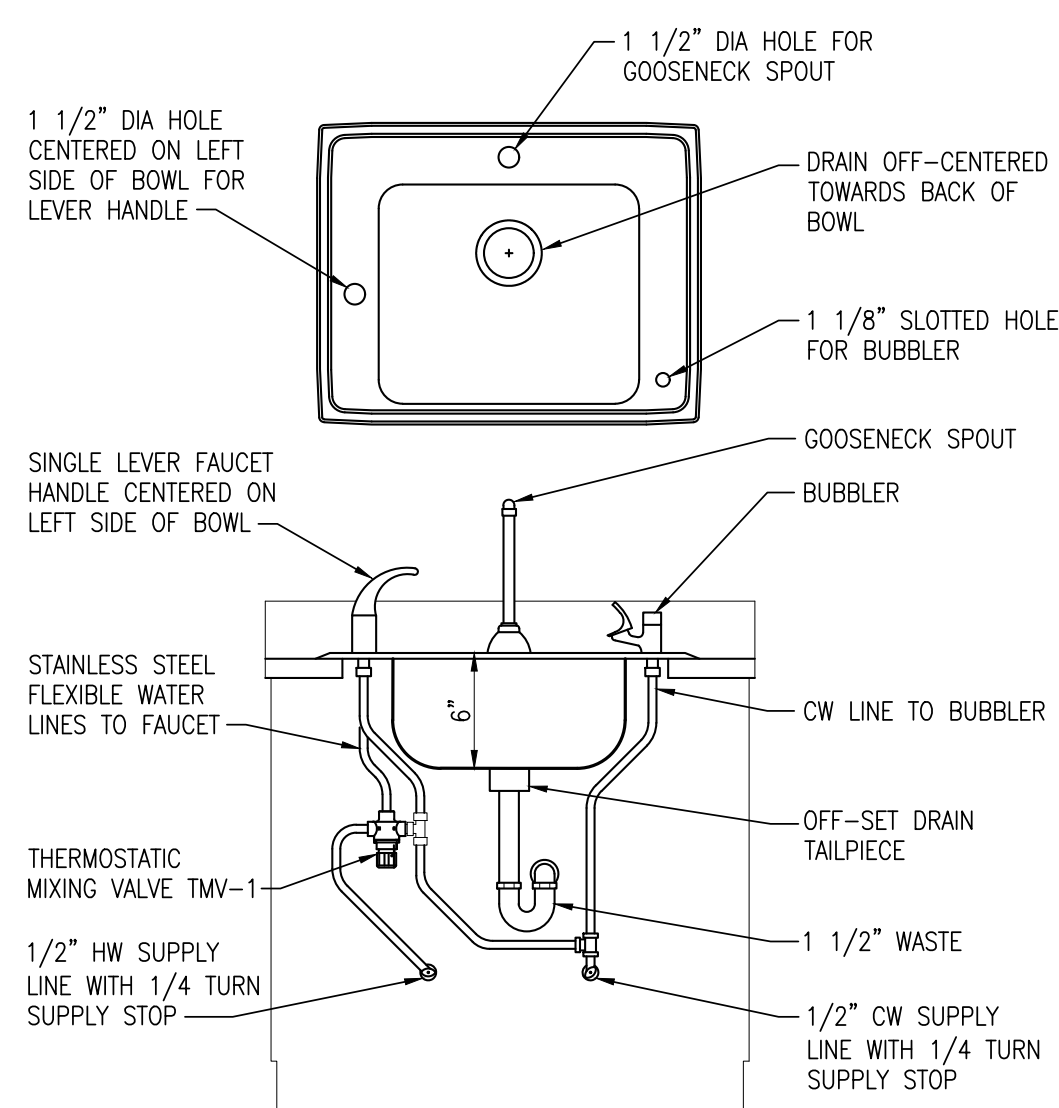
3 INTERIOR CLEANOUT DETAIL
NOT TO SCALE



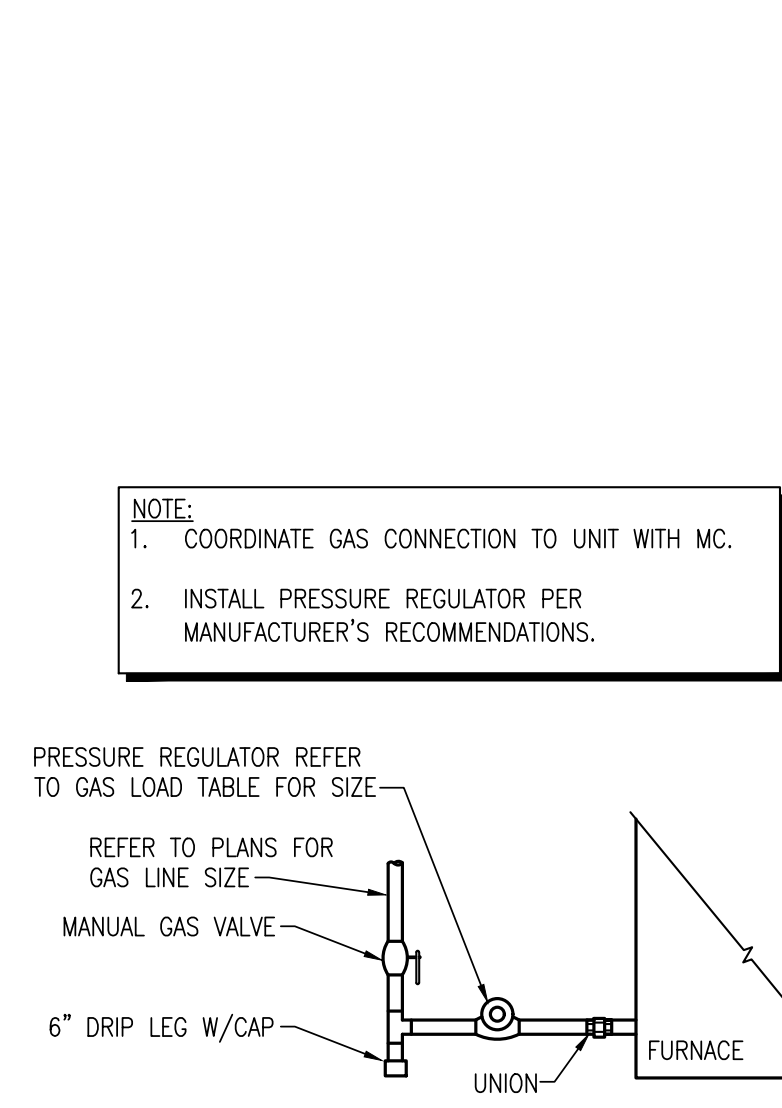
2 WALL CLEANOUT DETAIL
NOT TO SCALE



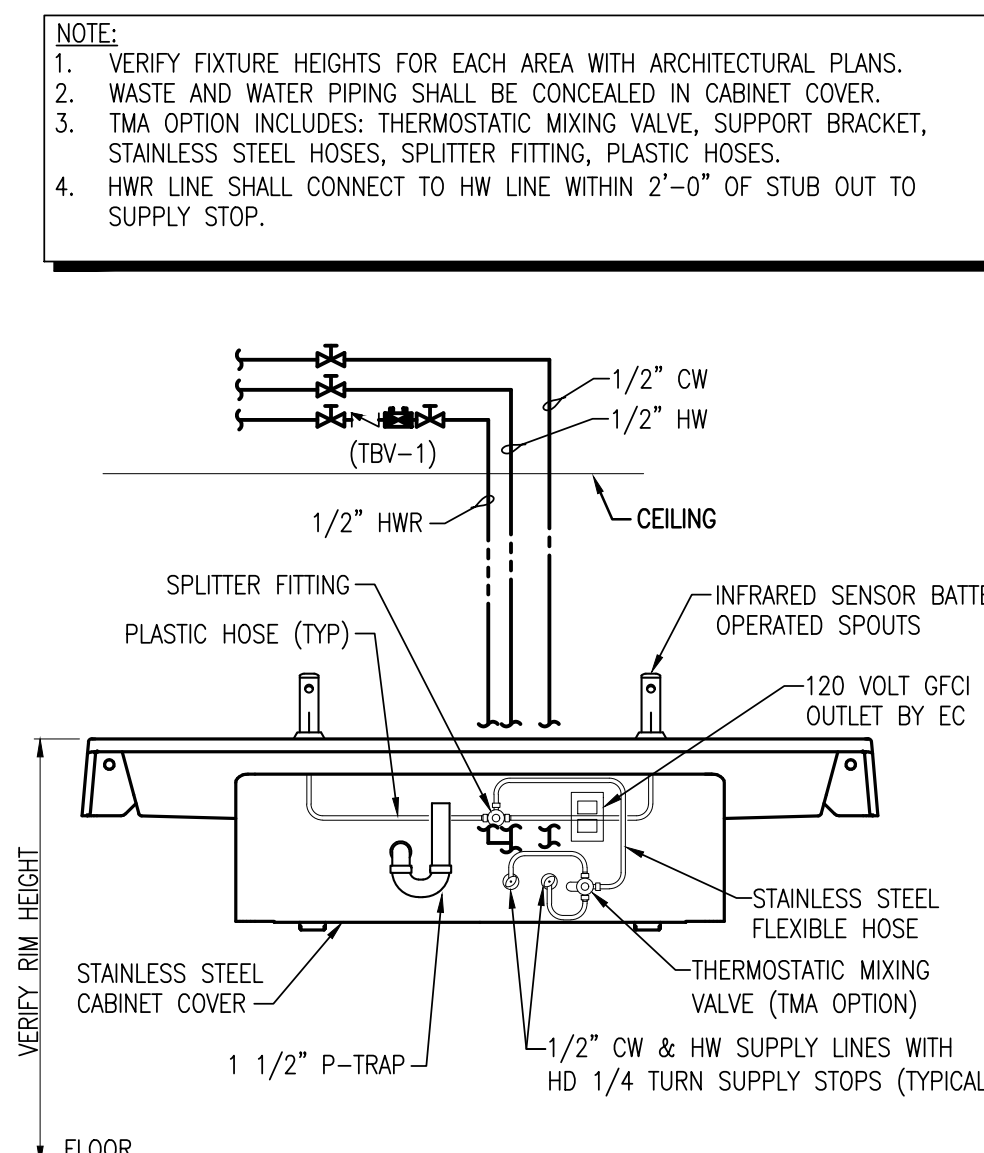
1 ELECTRIC TRAP PRIMER DETAIL
NOT TO SCALE



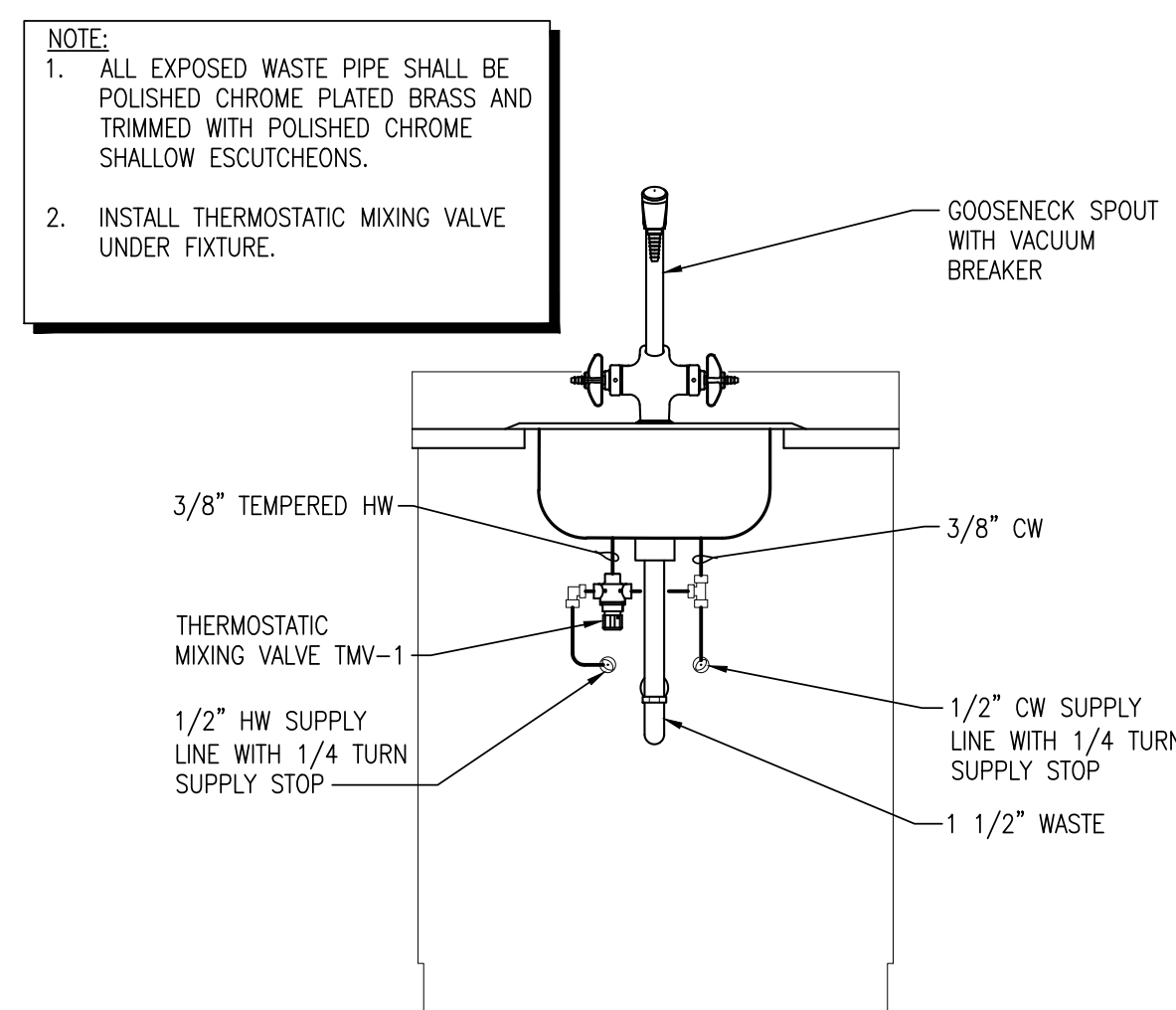
8 CLASSROOM SINK DETAIL
NOT TO SCALE



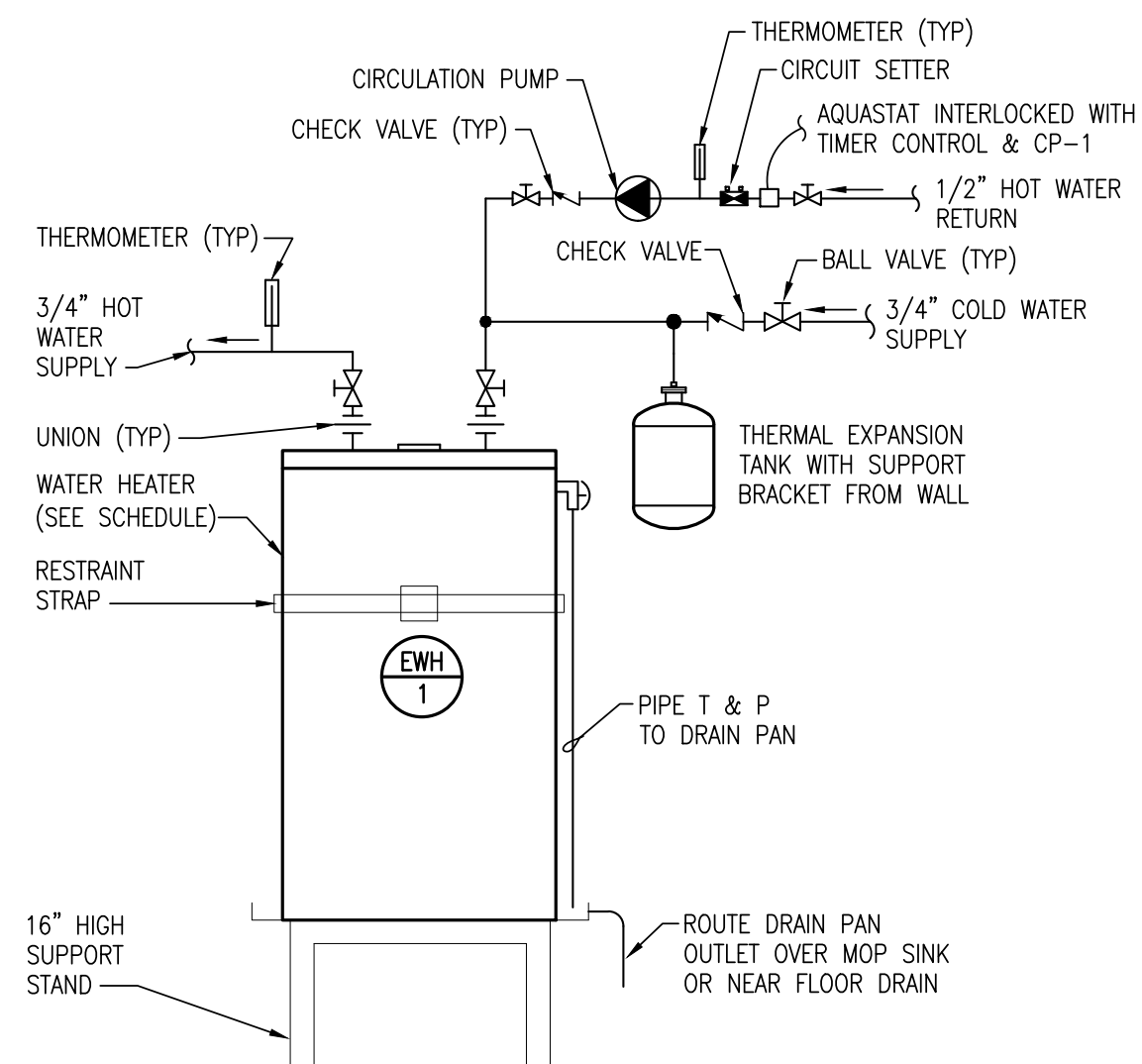
7 FURNACE GAS CONNECTION DETAIL
NOT TO SCALE



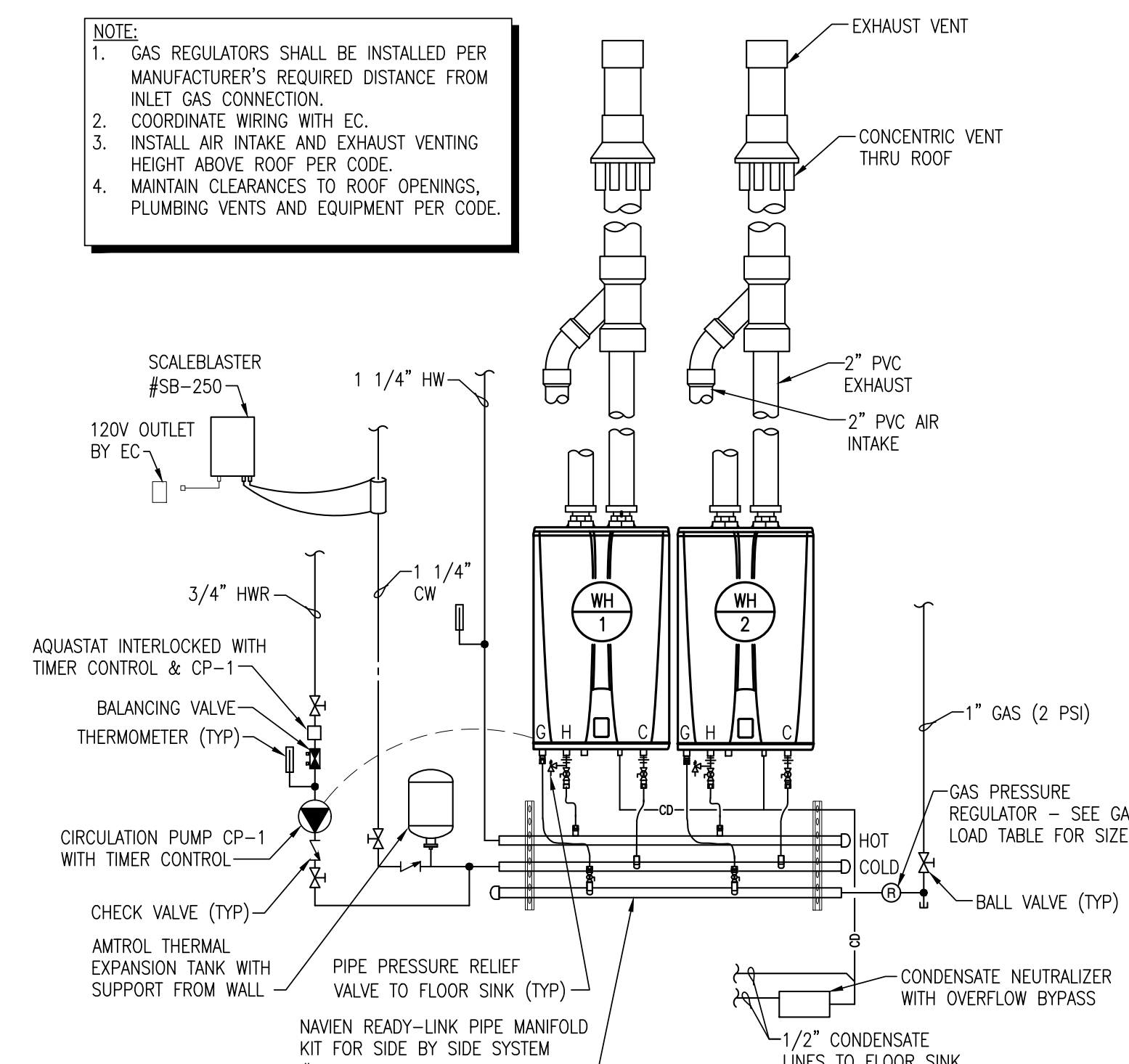
6 TWO STATION LAVATORY DETAIL
NOT TO SCALE



5 LAB STORAGE SINK DETAIL
NOT TO SCALE



10 ELECTRIC WATER HEATER DETAIL
NOT TO SCALE



9 DUAL TANKLESS GAS WATER HEATERS DETAIL
NOT TO SCALE