



KF
drawn by
DG
checked by
JULY 2023
date
revisions

MOORE PUBLIC SCHOOLS
BOARD OF EDUCATION
MOORE, OKLAHOMA



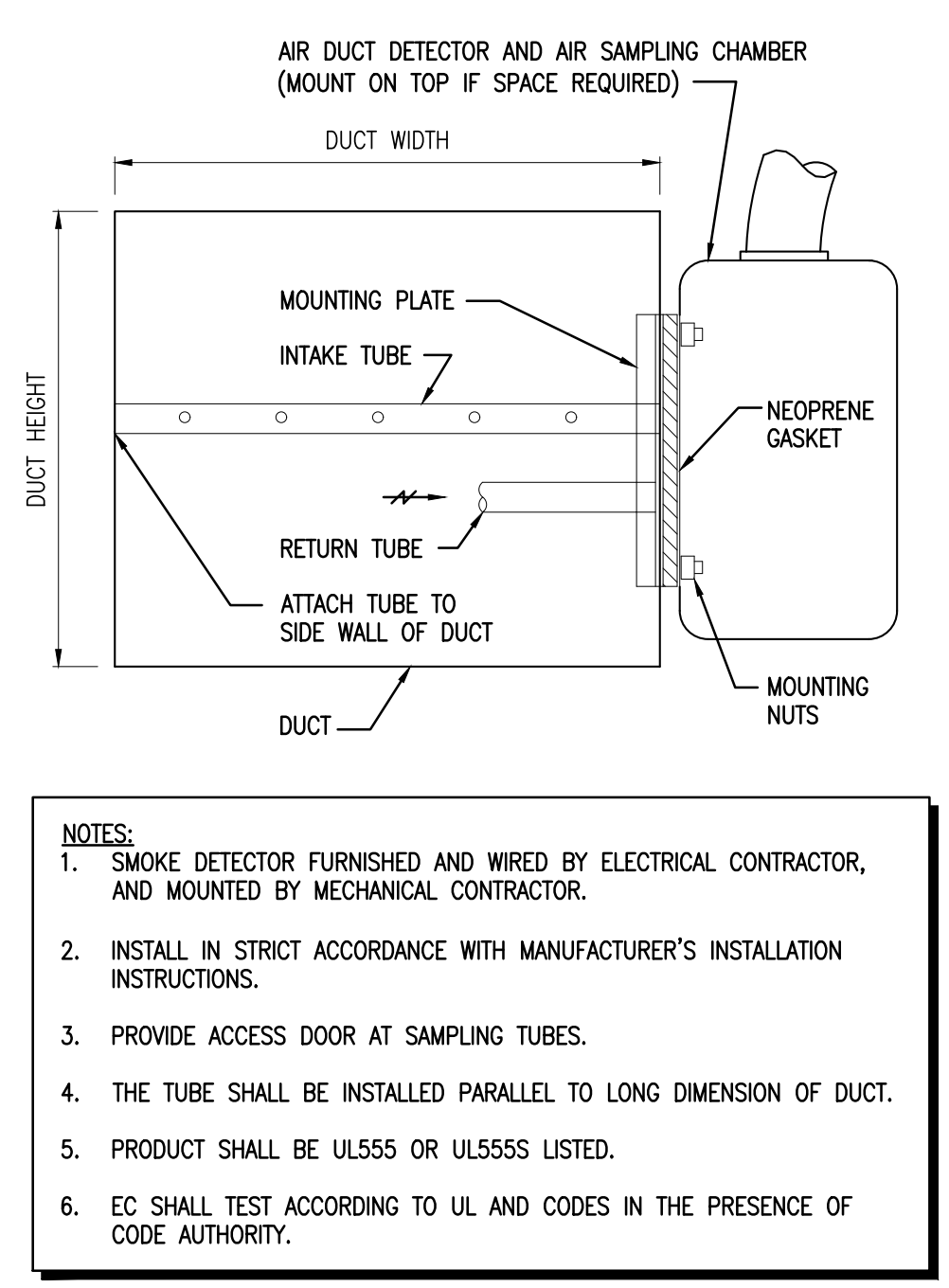
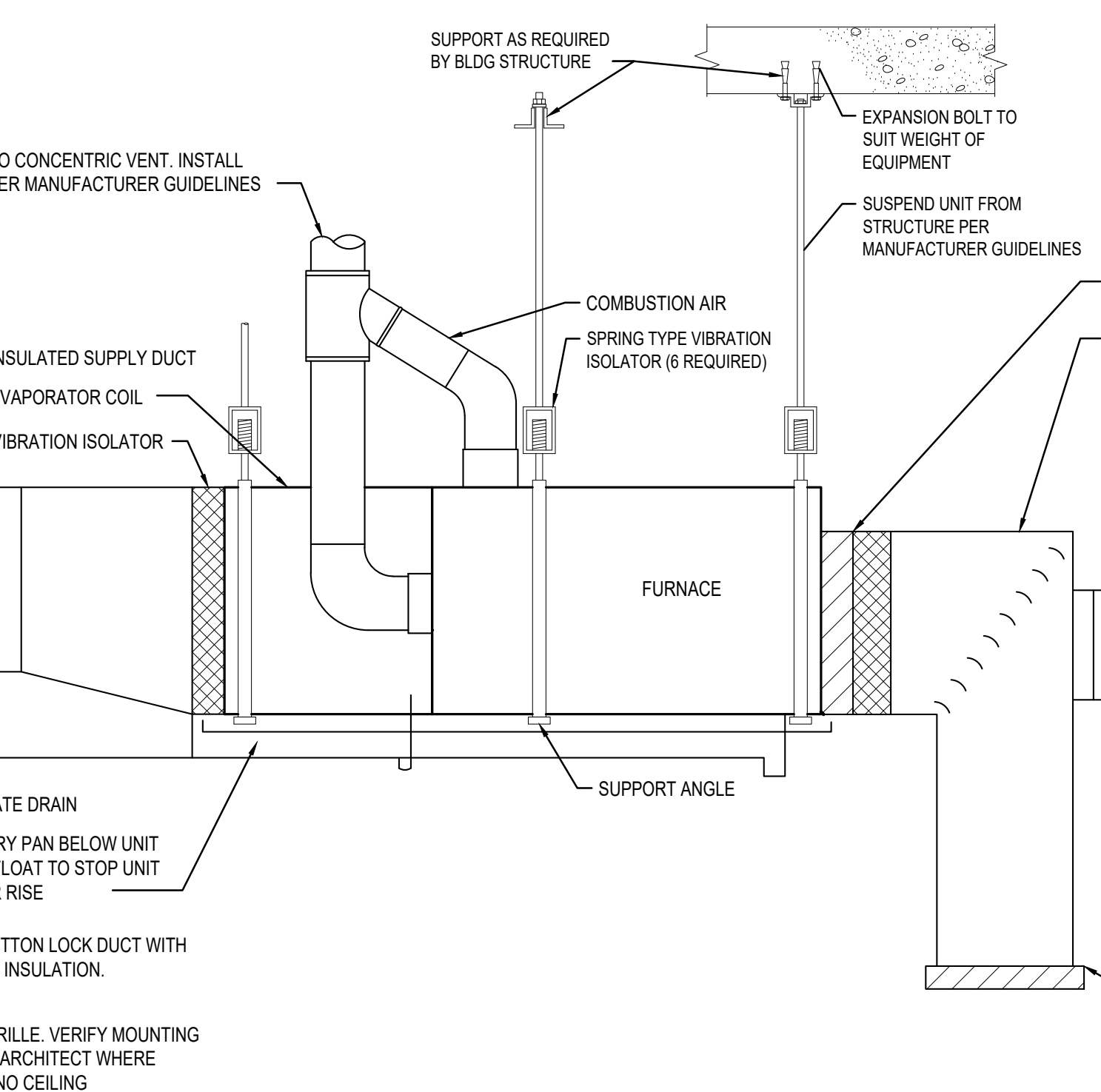
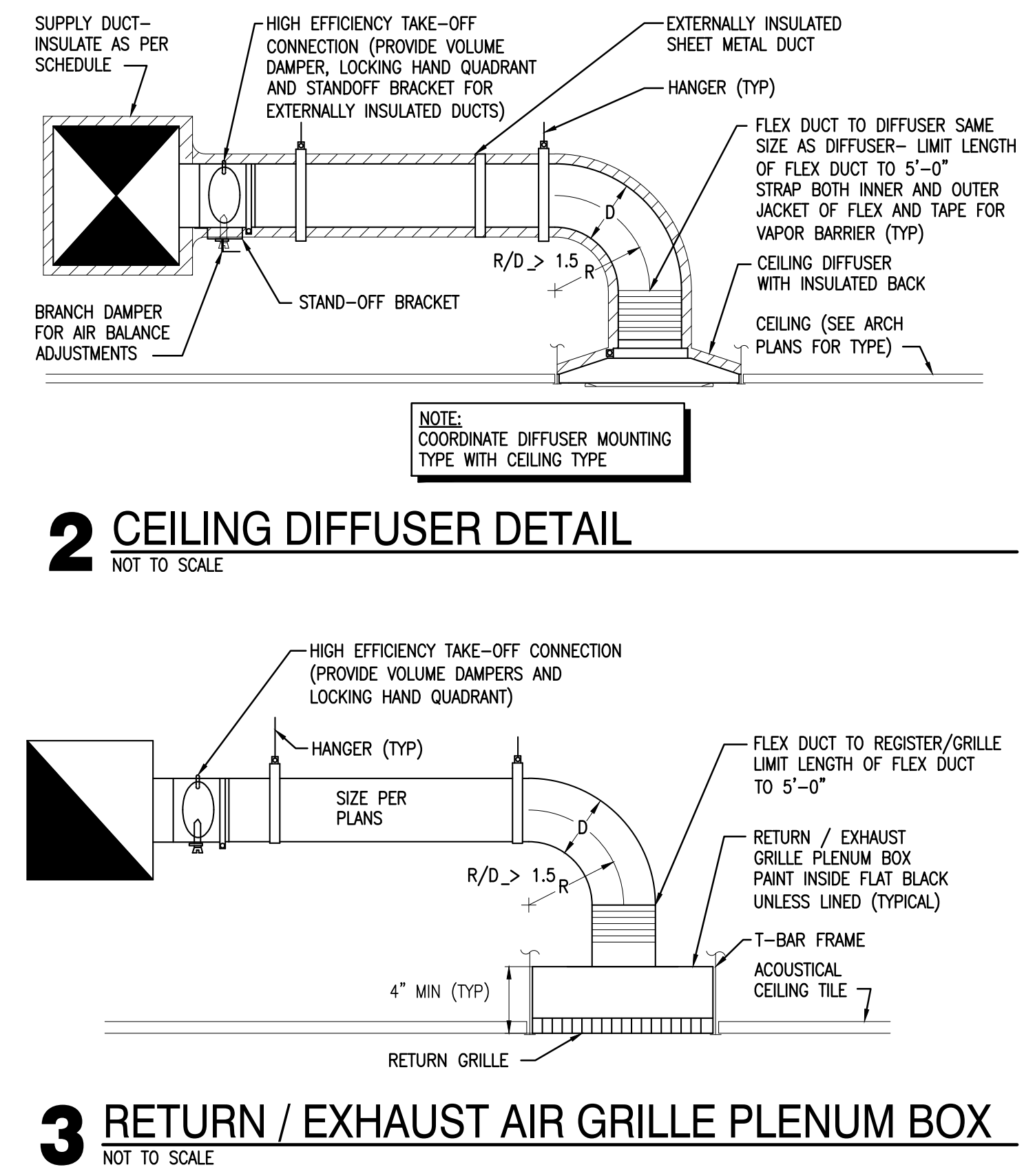
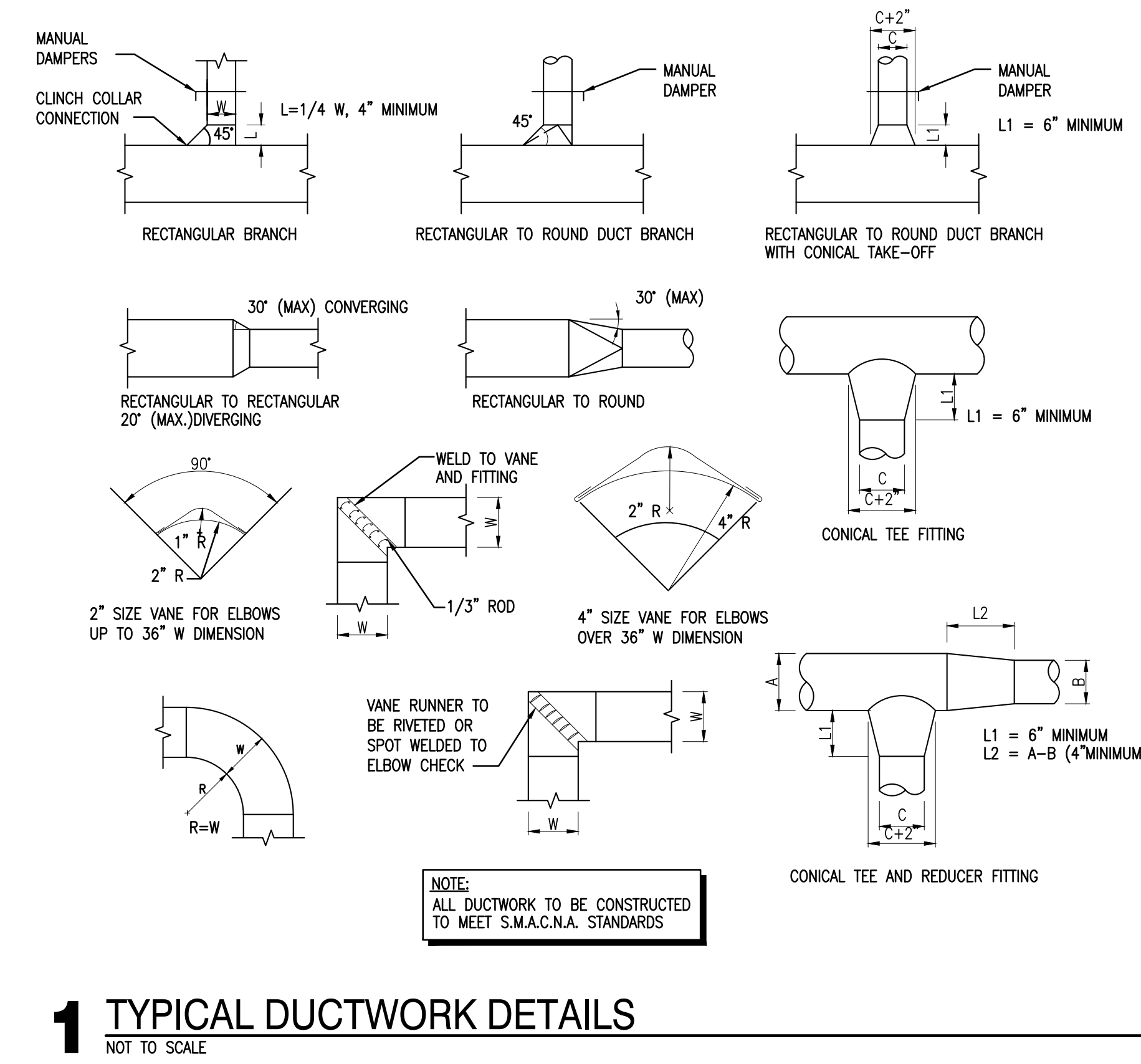
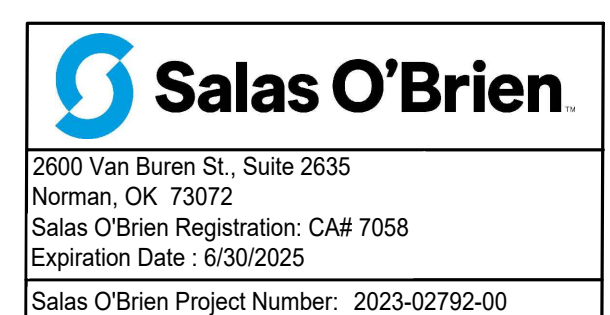
CLASSROOM ADDITION
HIGHLAND WEST
JUNIOR HIGH SCHOOL

sheet no:

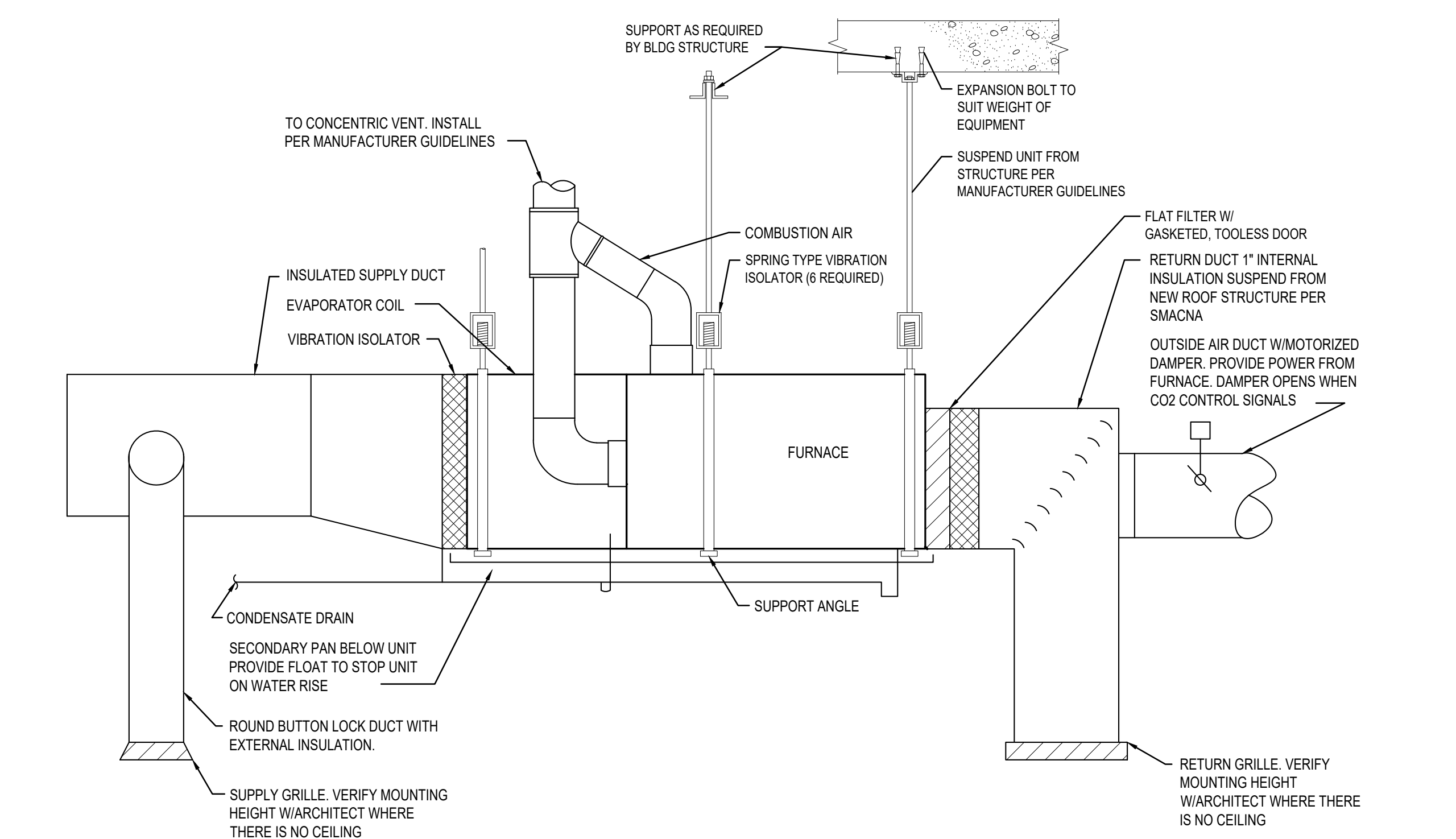
M501

OWNERSHIP USE OF DOCUMENTS:

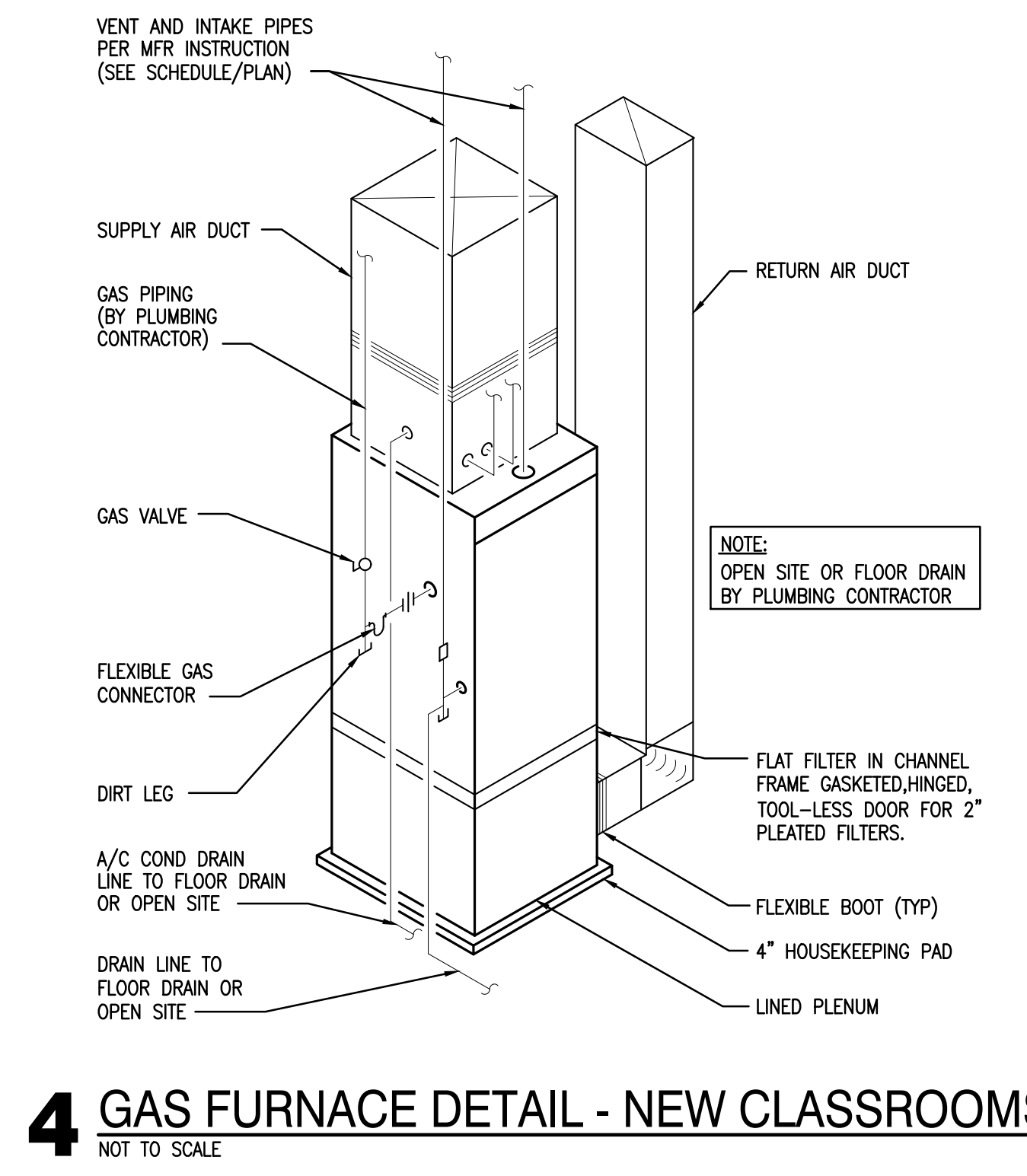
AGP EXPRESSLY RESERVES ITS
COPYRIGHT AND OTHER PROPERTY
RIGHTS OF ALL PLANS AND DRAWINGS
DESIGNED AND/OR PRODUCED. PLANS
AND DRAWINGS ARE NOT TO BE
REPRODUCED IN ANY FORM OR MANNER
WITHOUT THE EXPRESSED WRITTEN
CONSENT OF AGP.



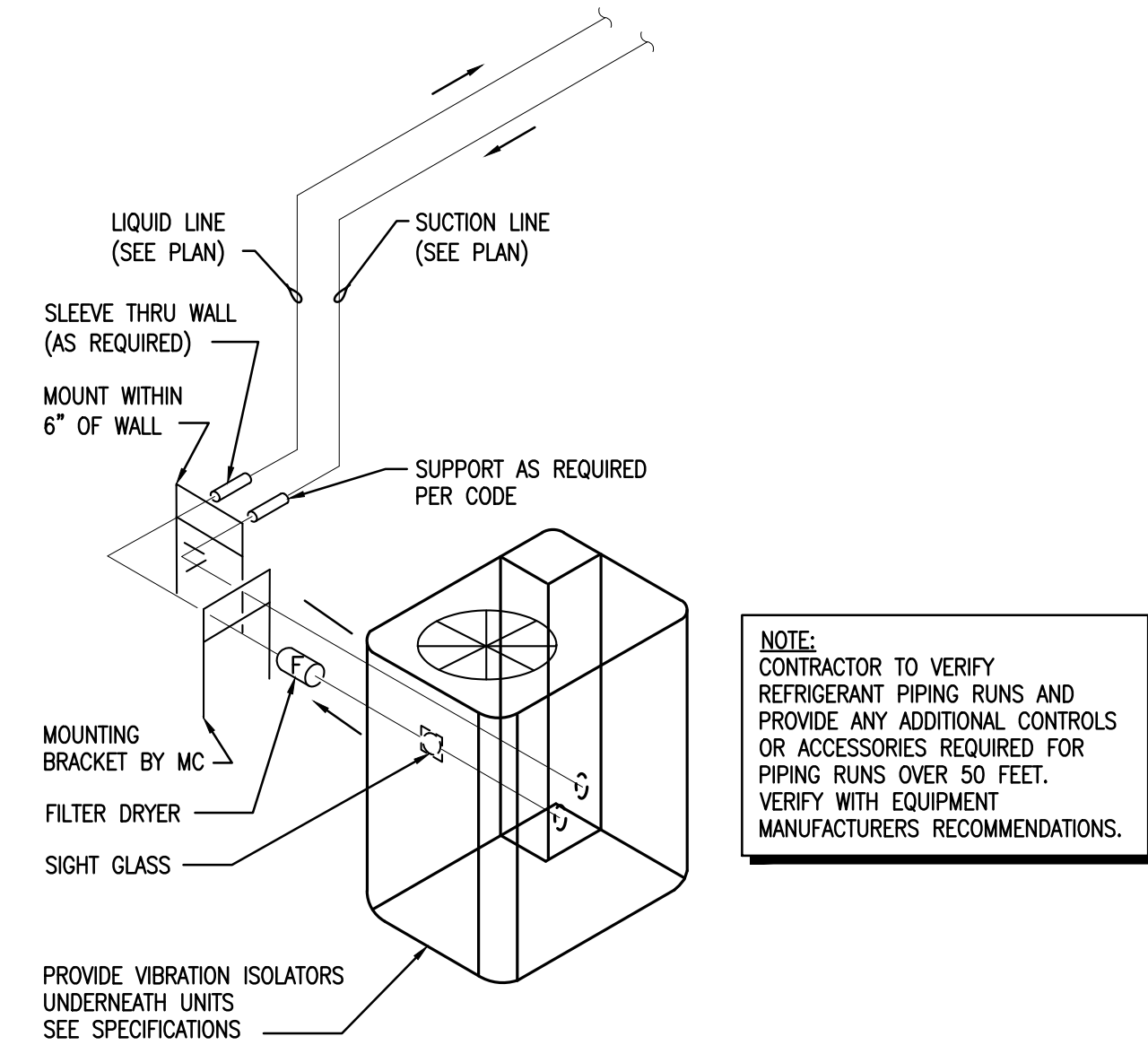
5 SMOKE DETECTOR MOUNTING DETAIL
NOT TO SCALE



6 TYPICAL HORIZONTAL GAS FIRED FURNACE
NOT TO SCALE



4 GAS FURNACE DETAIL - NEW CLASSROOMS
NOT TO SCALE



7 CONDENSING UNIT PIPING DETAIL
NOT TO SCALE