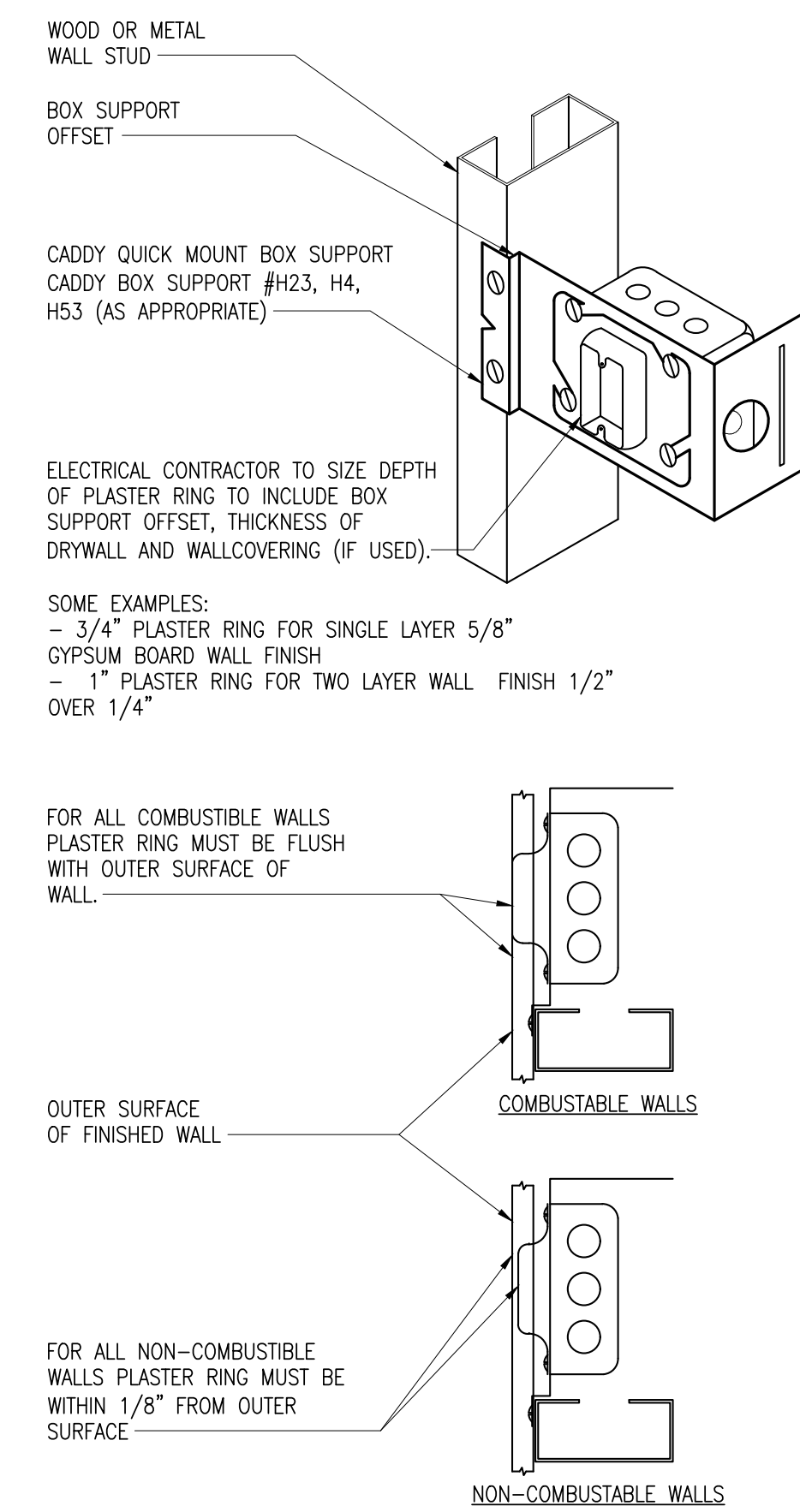


XX	drawn by
TVO	checked by
JULY 2023	date
	revisions

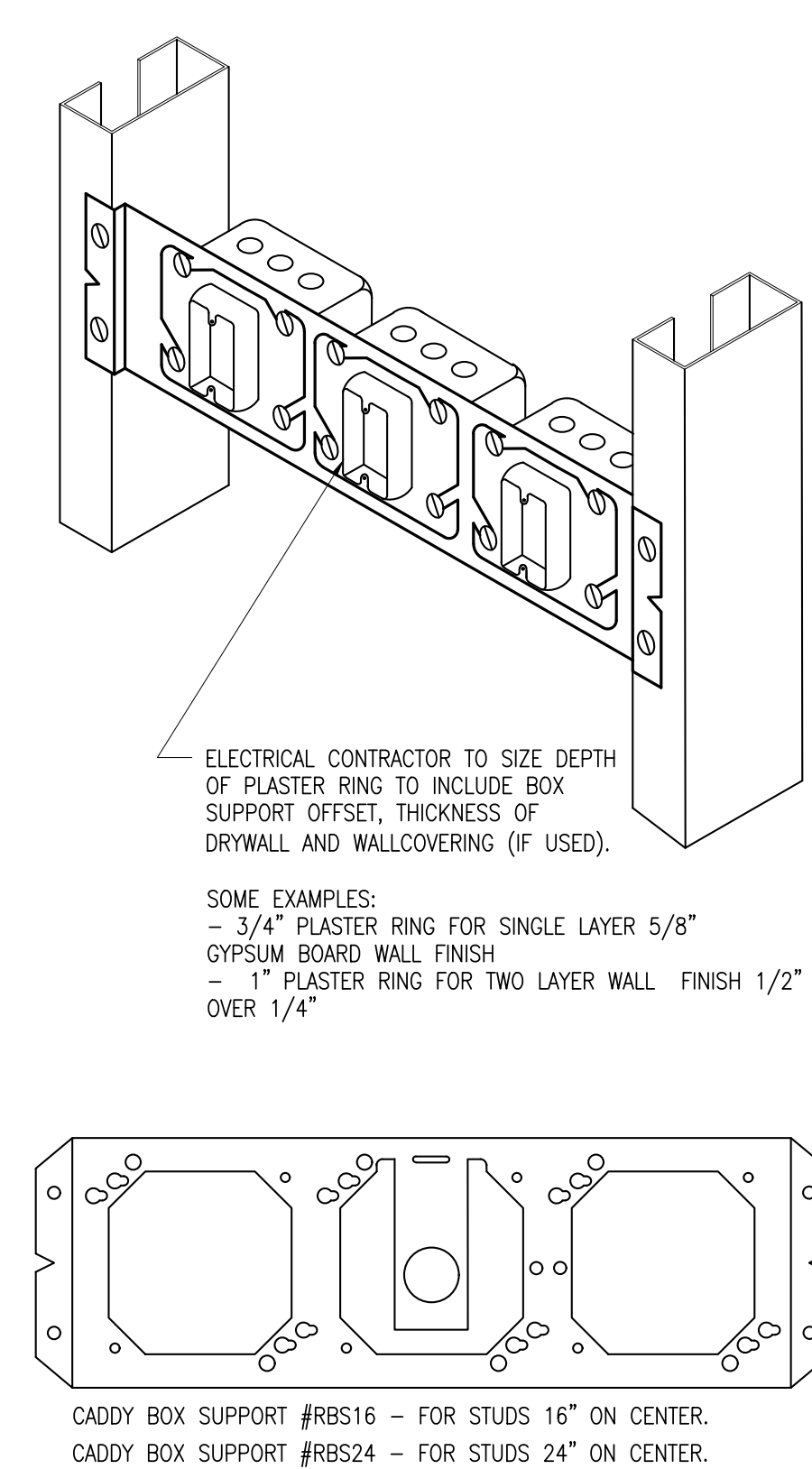


sheet no:

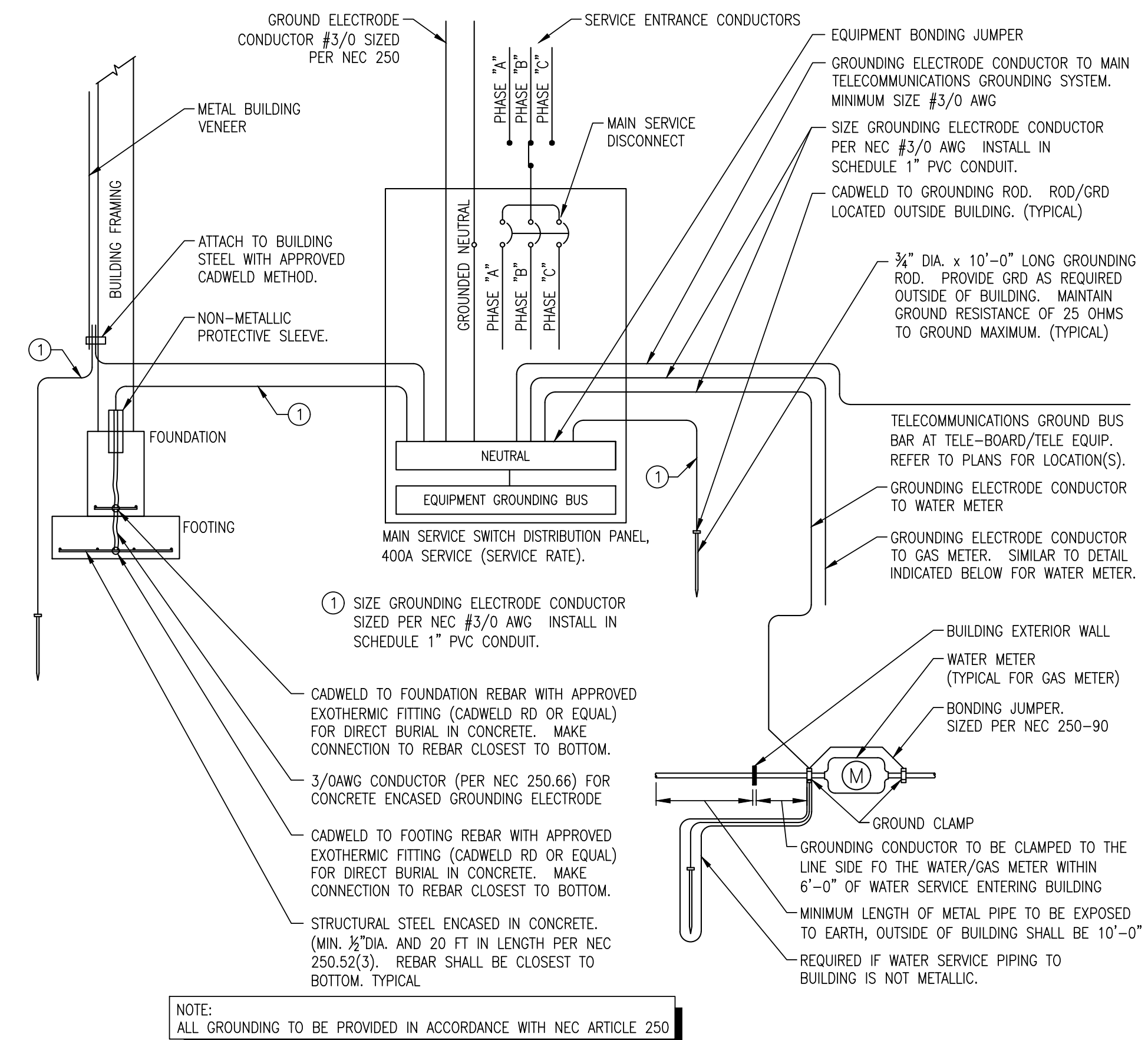
1 BOX SUPPORT DETAIL NO SCALE



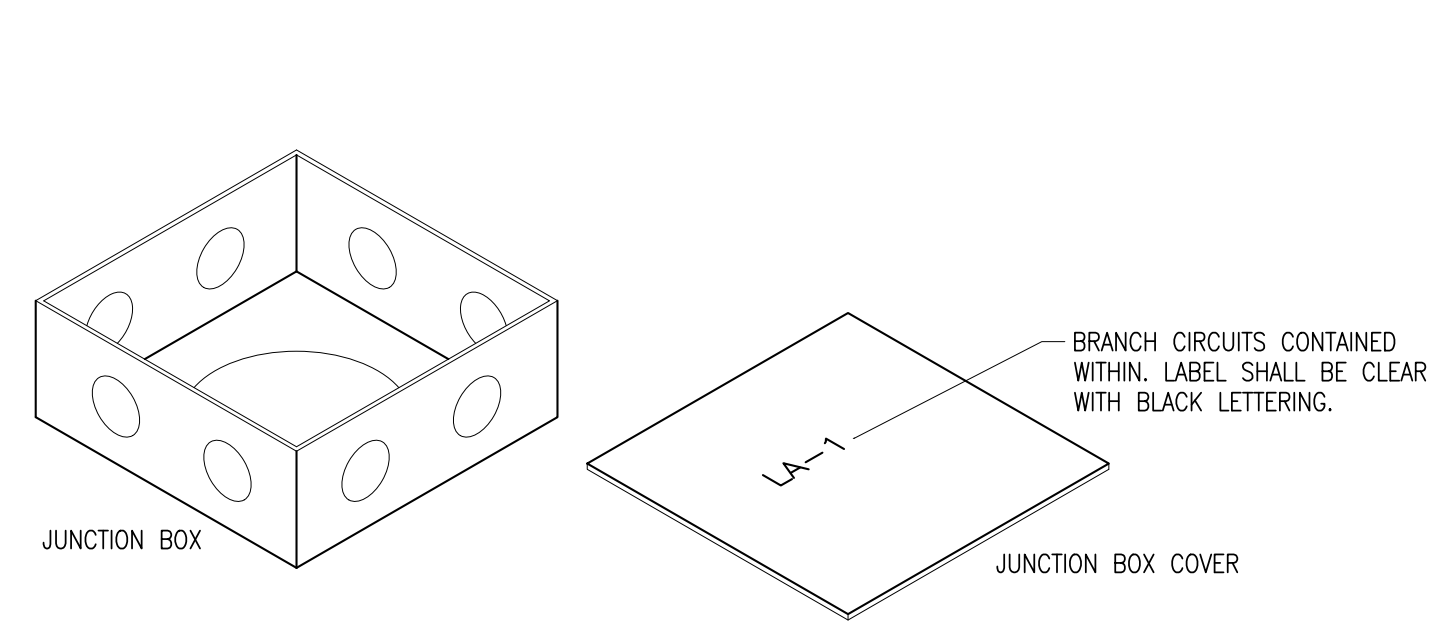
2 MULTIPLE BOX SUPPORT DETAIL NO SCALE



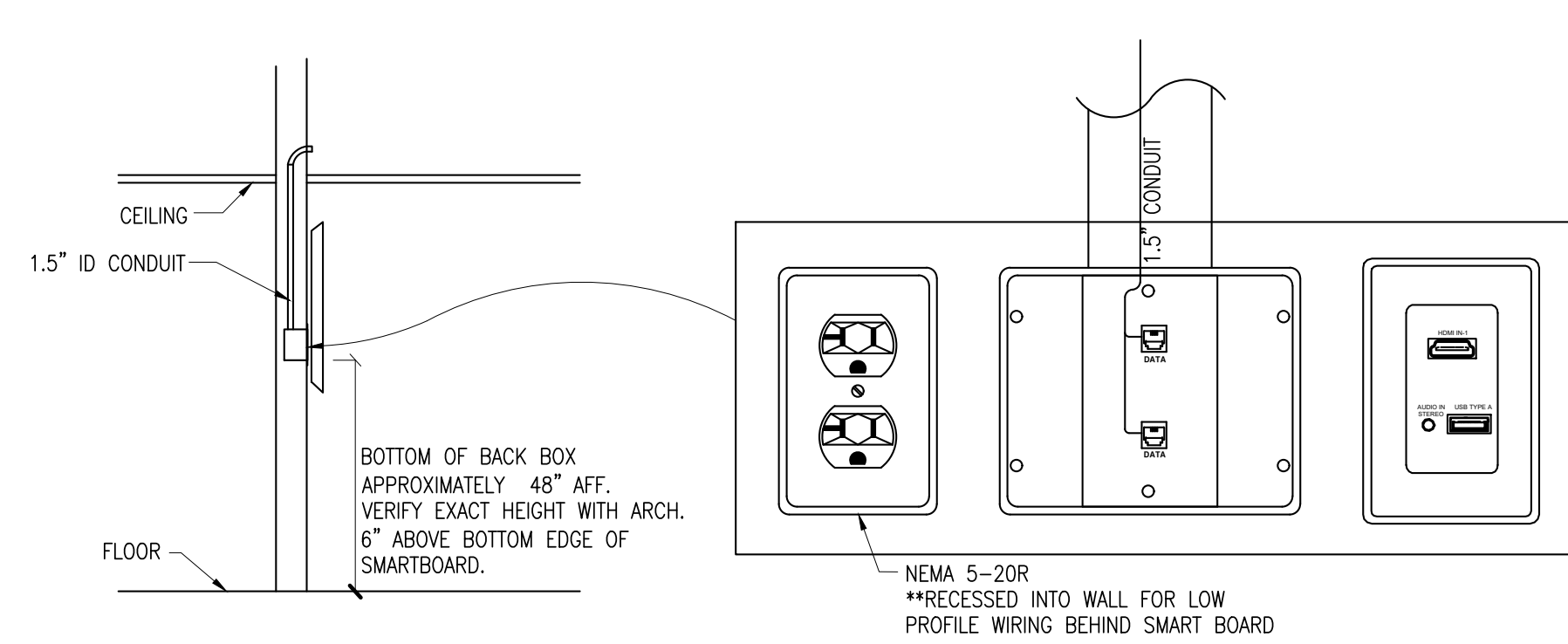
6 MAIN ELECTRICAL GROUNDING DETAIL NO SCALE



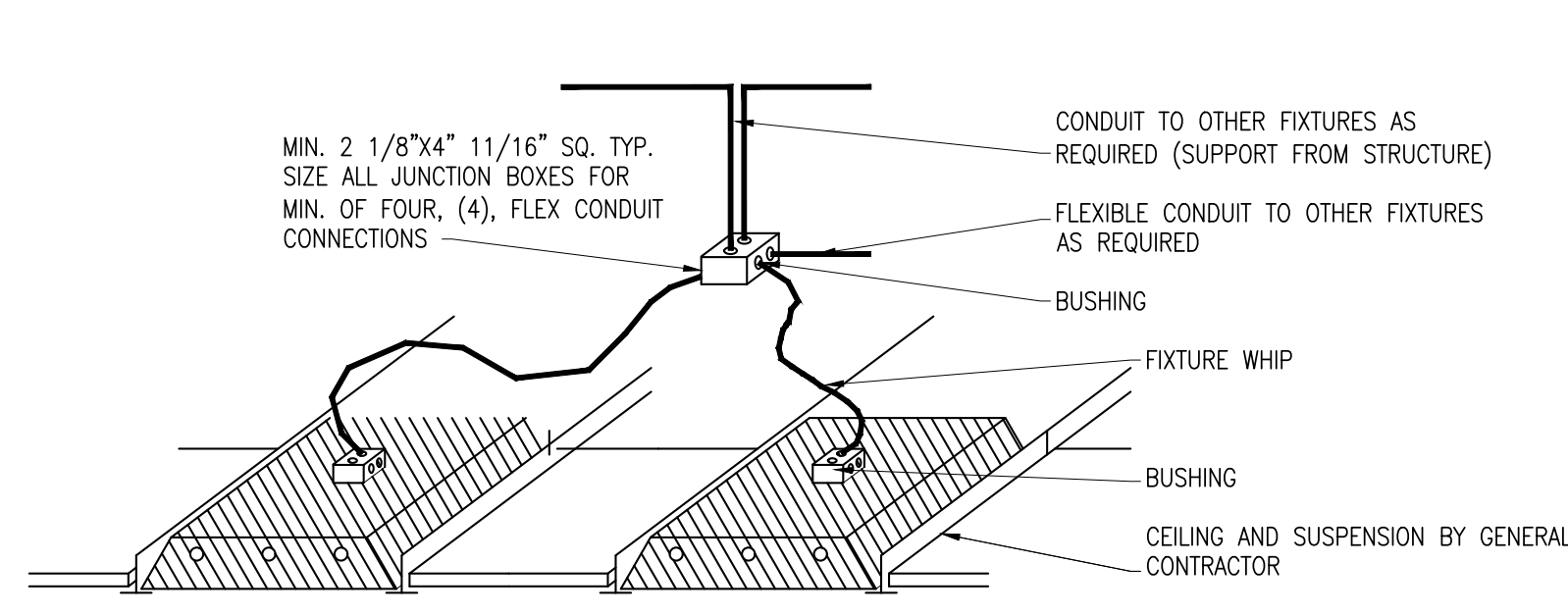
3 JUNCTION BOX DETAIL NO SCALE



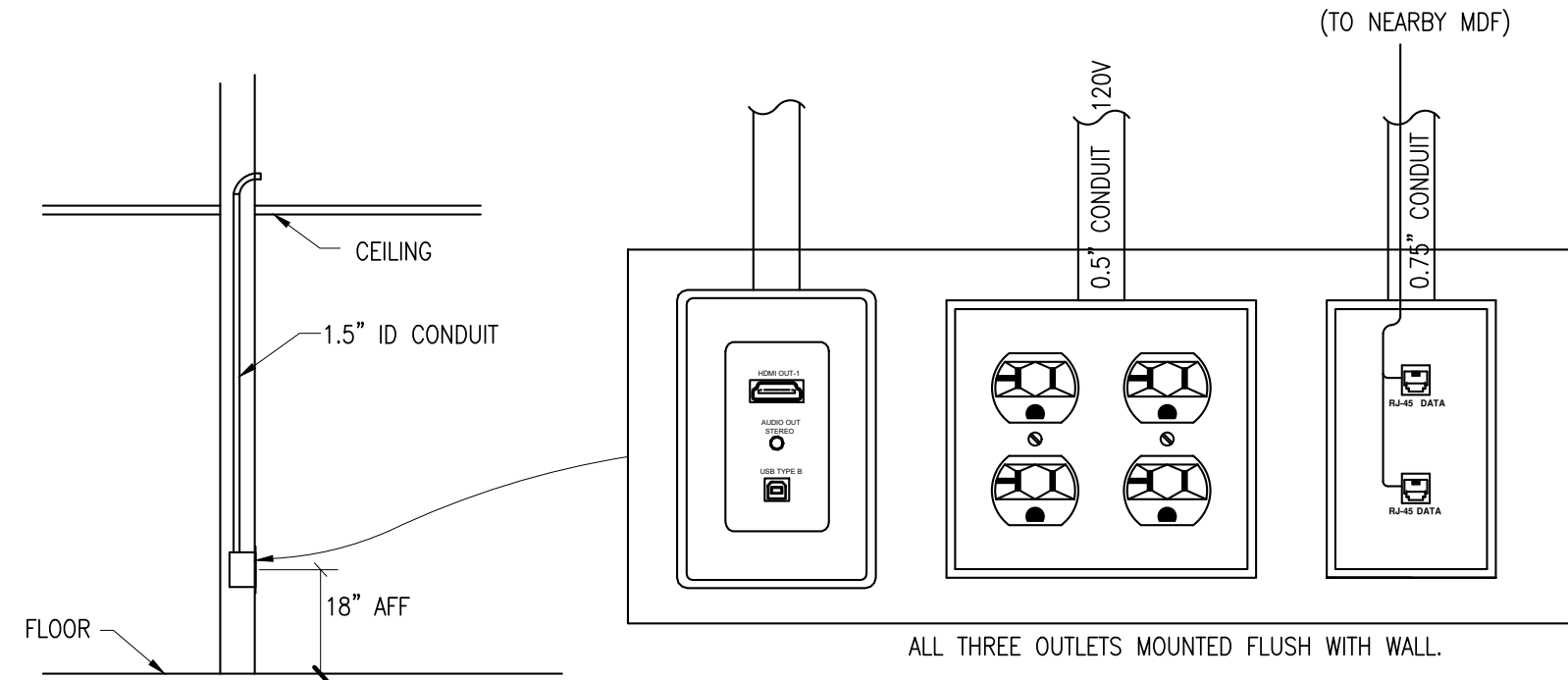
POWER OUTLET BEHIND SMARTBOARD



4 TYP. TROFFER POWER DETAIL NO SCALE

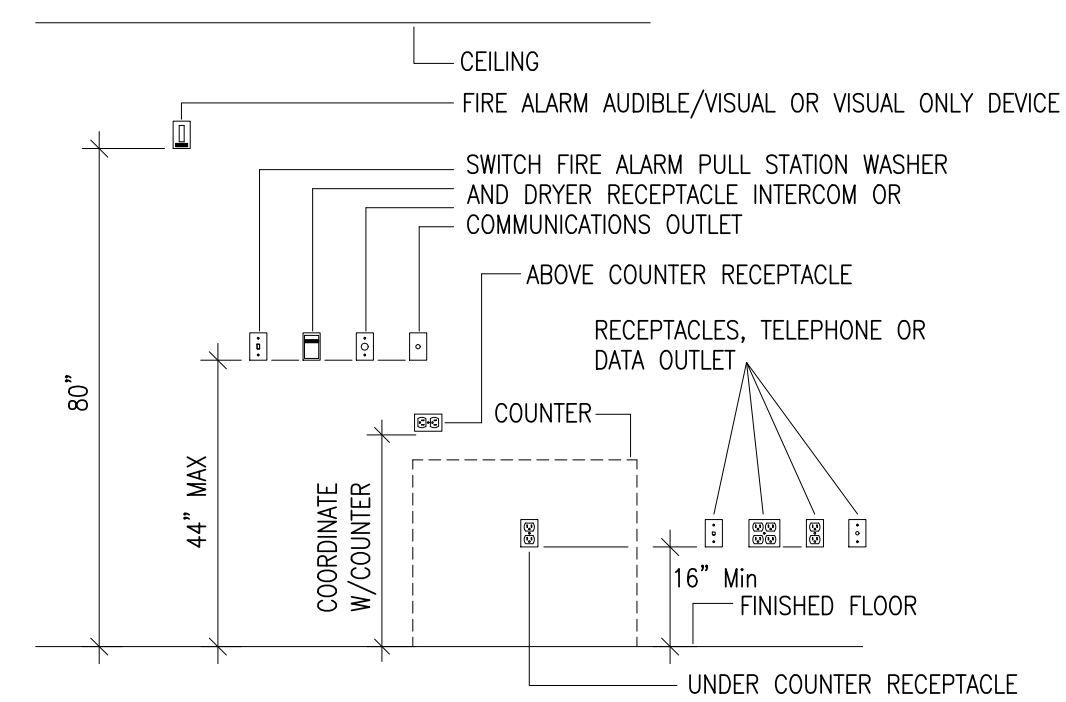


DATA & POWER OUTLET NEAR TEACHERS DESK

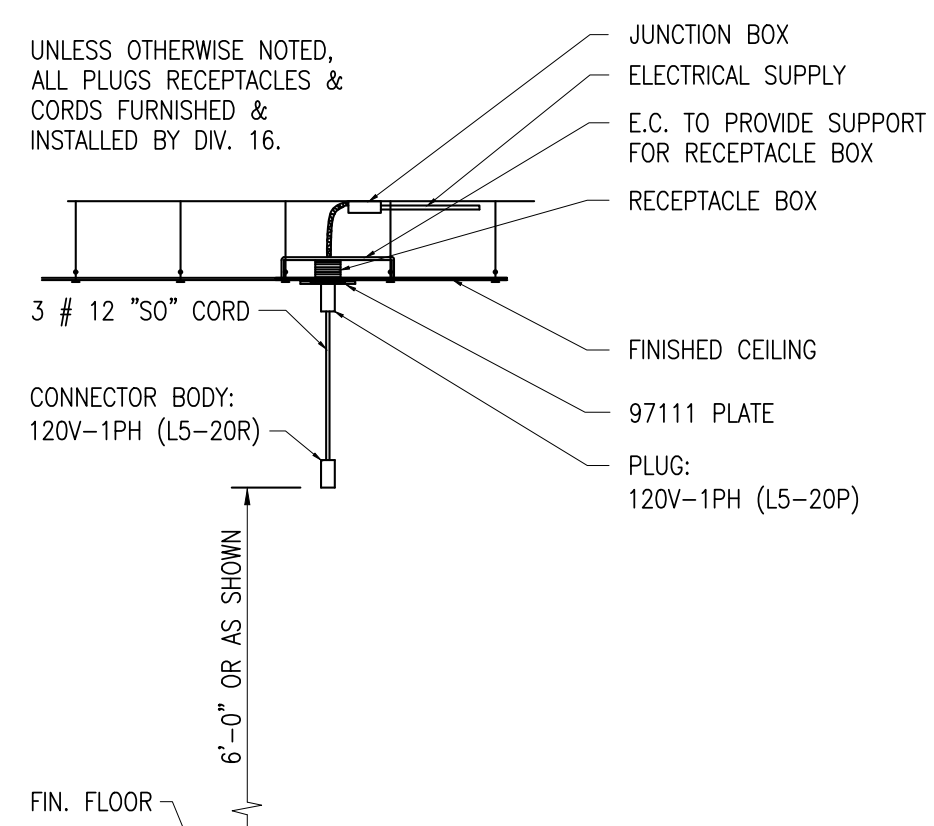


5 TEACHERS DESK & SMART BOARD WIRING DETAIL NO SCALE

7 TYP. OUTLET MOUNTING DETAIL NO SCALE



9 DROP CORD RECEPTACLE NO SCALE



8 RESTROOM LIGHTING CONTROL DETAIL NO SCALE

