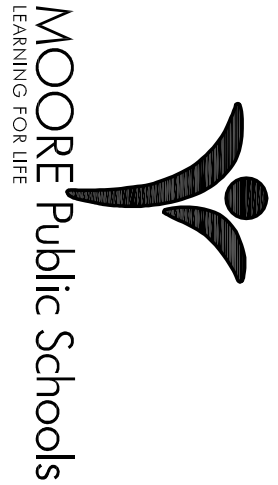




CG
drawn by _____
MA
checked by _____
JULY 2023
date _____
revisions _____

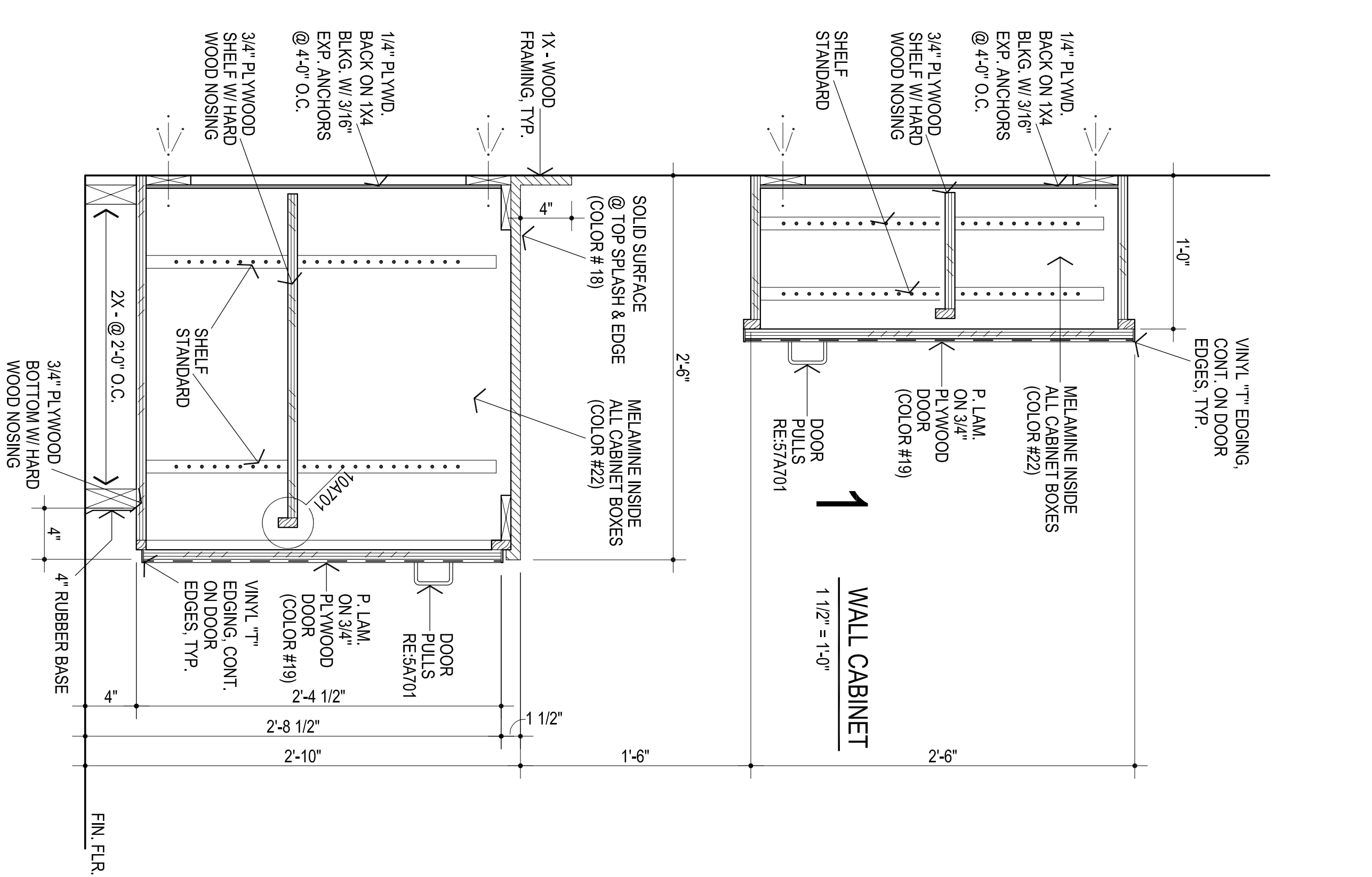
MOORE PUBLIC SCHOOLS
BOARD OF EDUCATION
MOORE, OKLAHOMA



CLASSROOM ADDITION
HIGHLAND WEST
JUNIOR HIGH SCHOOL

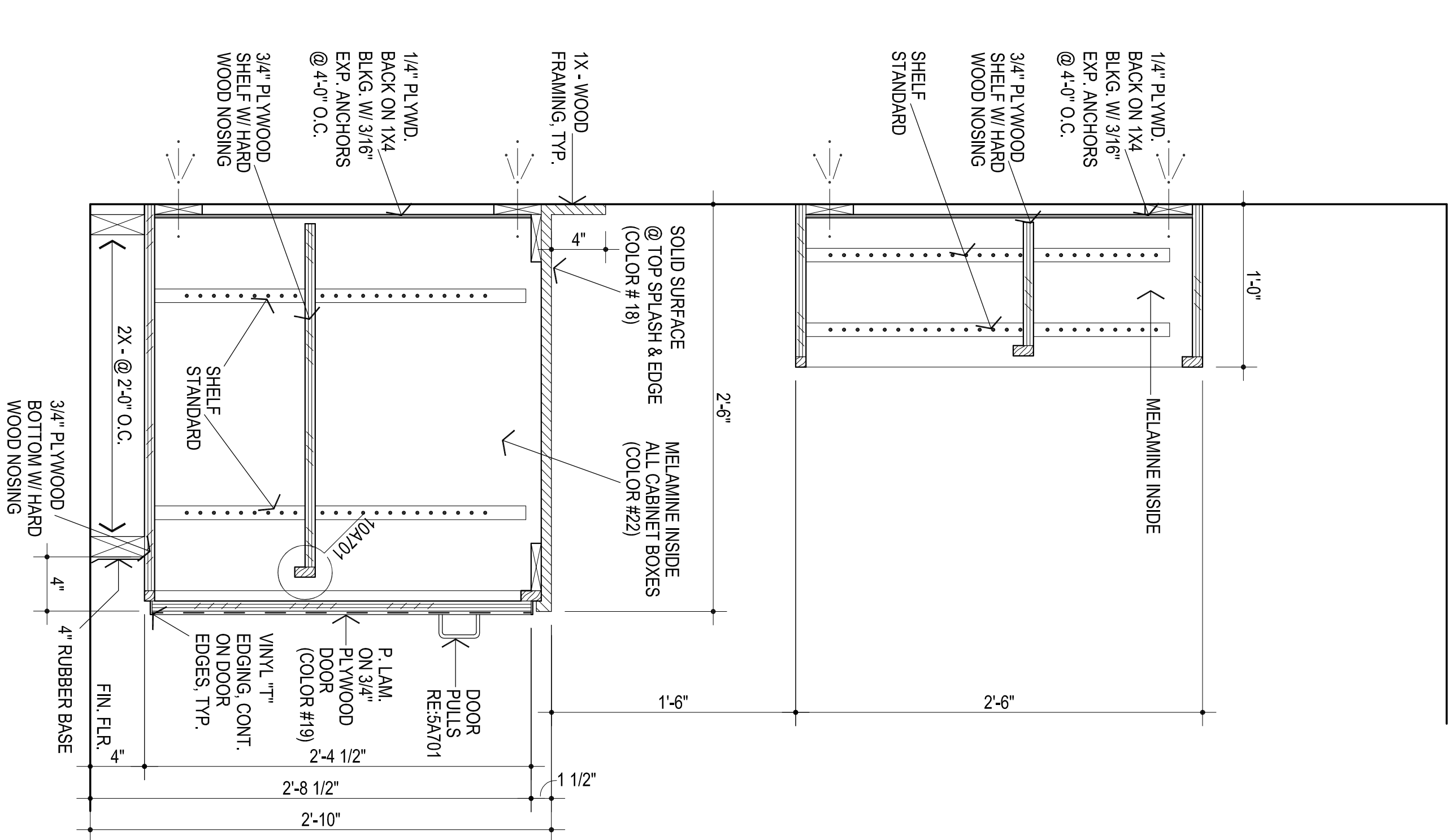
sheet no:
A702

OWNERSHIP USE OF DOCUMENTS:
AGP EXPRESSLY RESERVES ITS
COPYRIGHT AND OTHER PROPERTY
RIGHTS OF ALL PLANS AND DRAWINGS
DESIGNED AND/OR PRODUCED. PLANS
AND DRAWINGS ARE NOT TO BE
REPRODUCED IN ANY FORM OR MANNER
WITHOUT THE EXPRESS WRITTEN
CONSENT OF AGP.

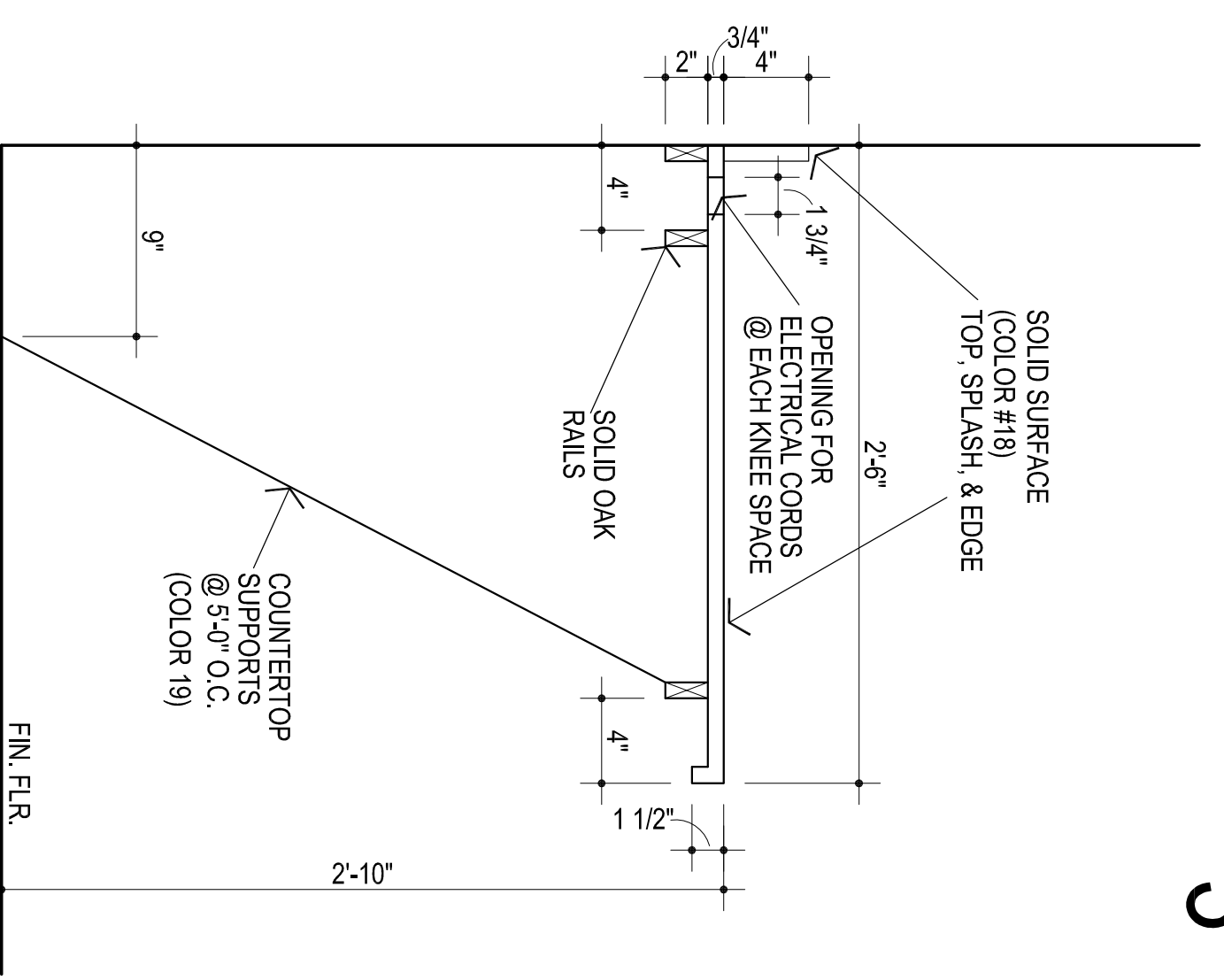


2
BASE CABINET
1 1/2" = 1'-0"

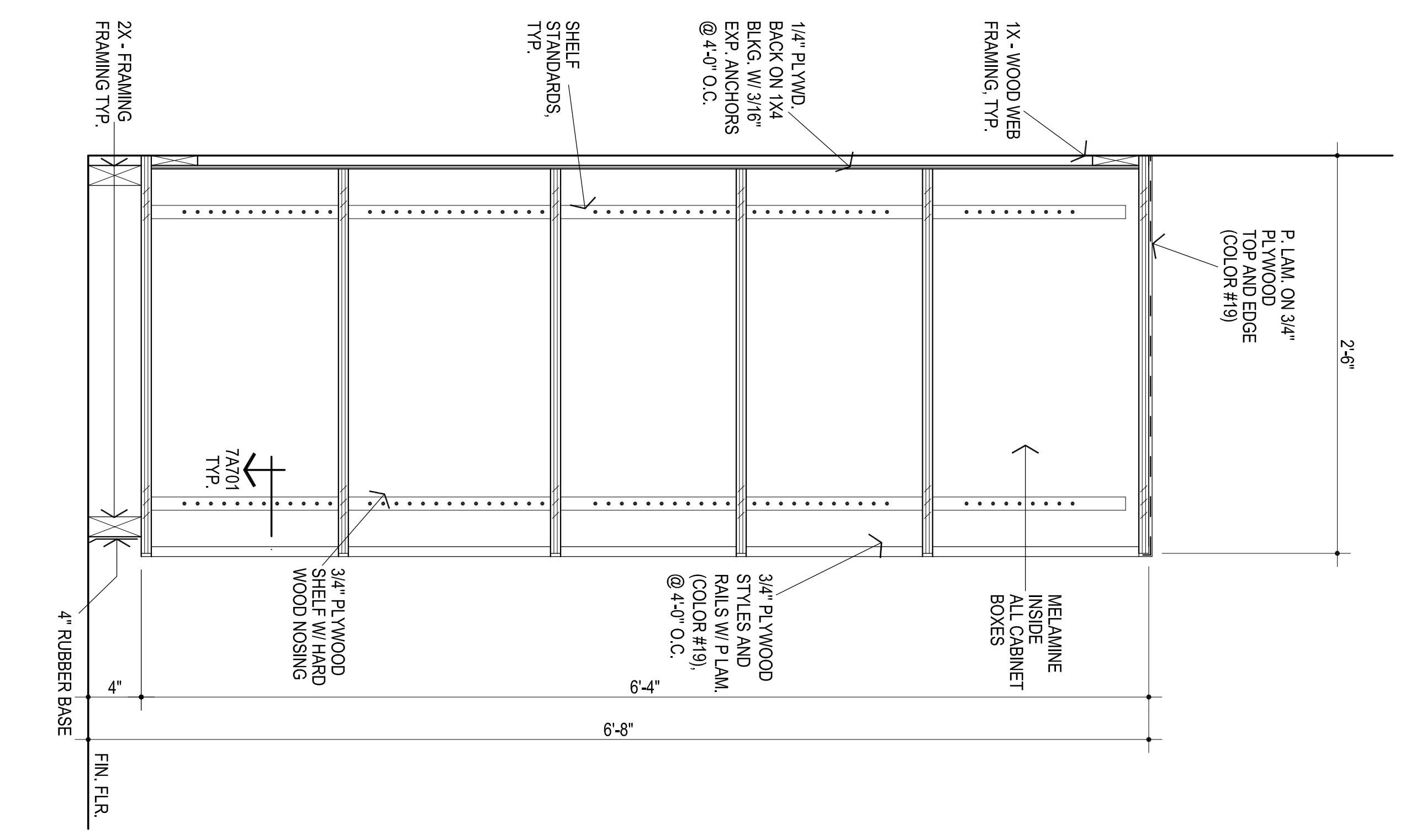
FRAMELESS
CABINET / EUROPEAN
CONSTRUCTION IS
ACCEPTABLE



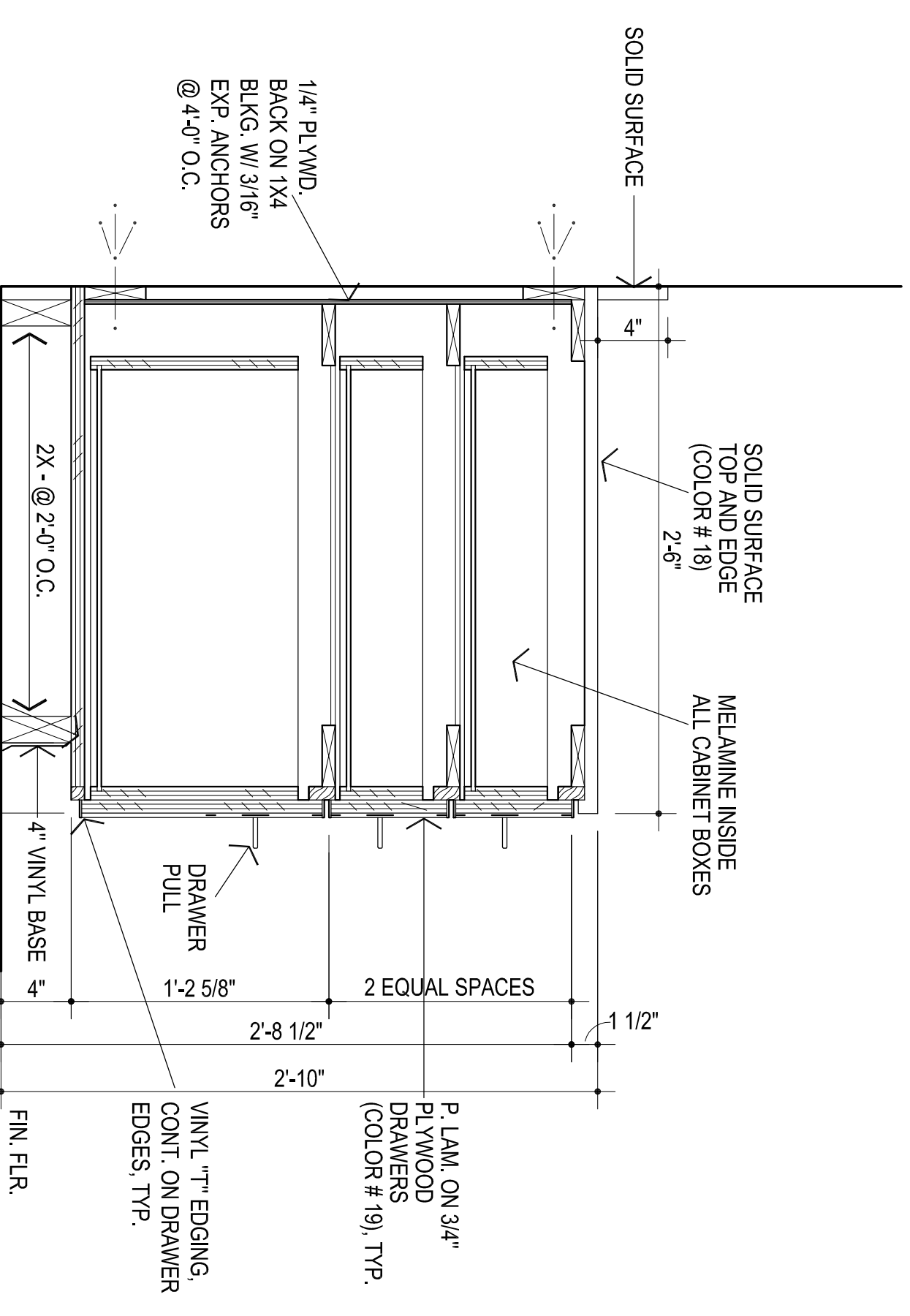
3
BASE & OPEN WALL CABINET
1 1/2" = 1'-0"



5
BASE CABINET W/ KNEE SPACE
1 1/2" = 1'-0"



4
SHELVING
1 1/2" = 1'-0"



6
BASE CABINET W/ DRAWERS
1 1/2" = 1'-0"