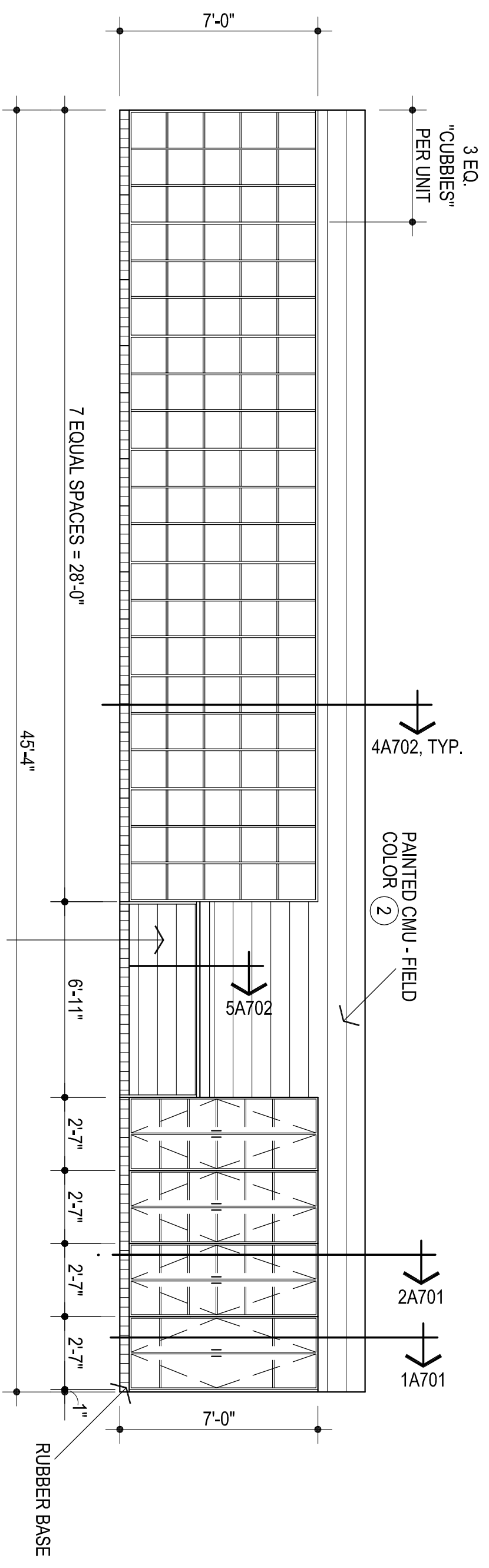
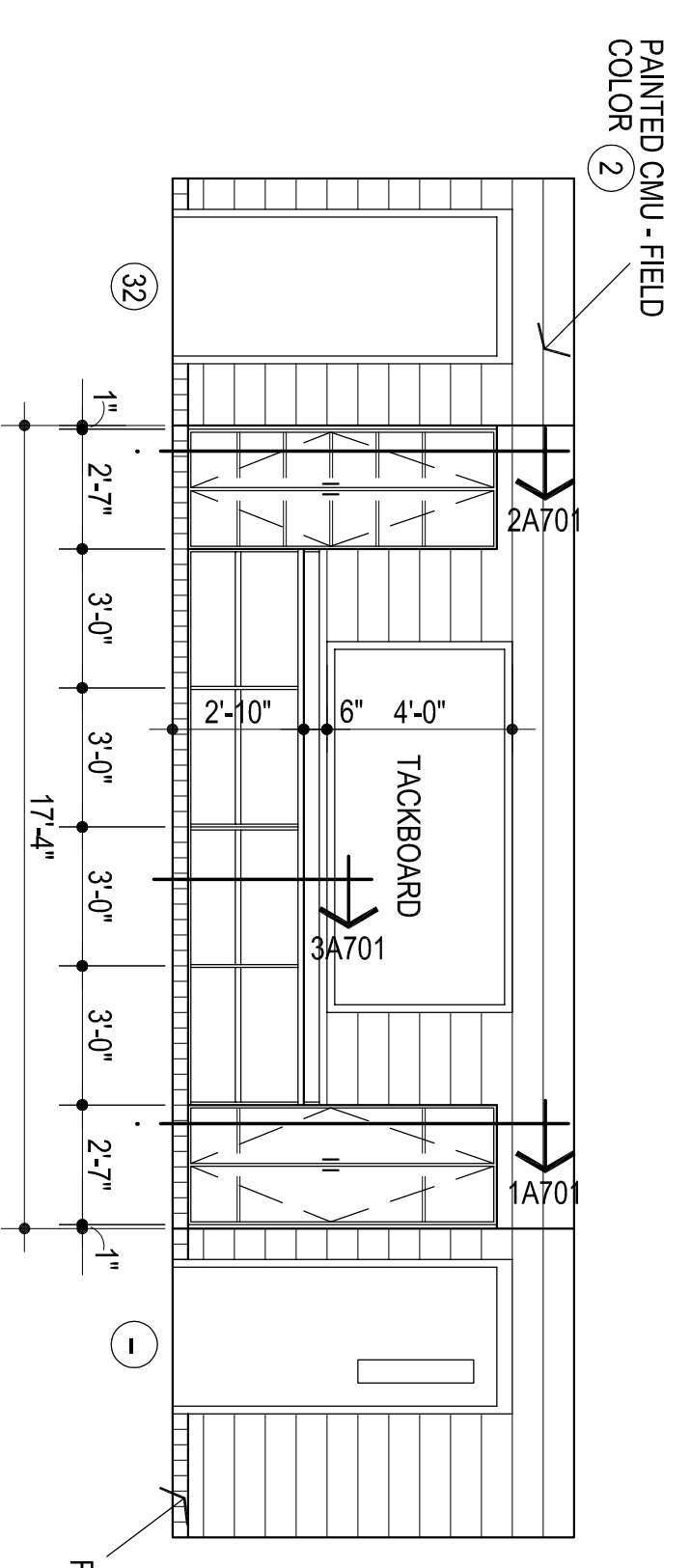


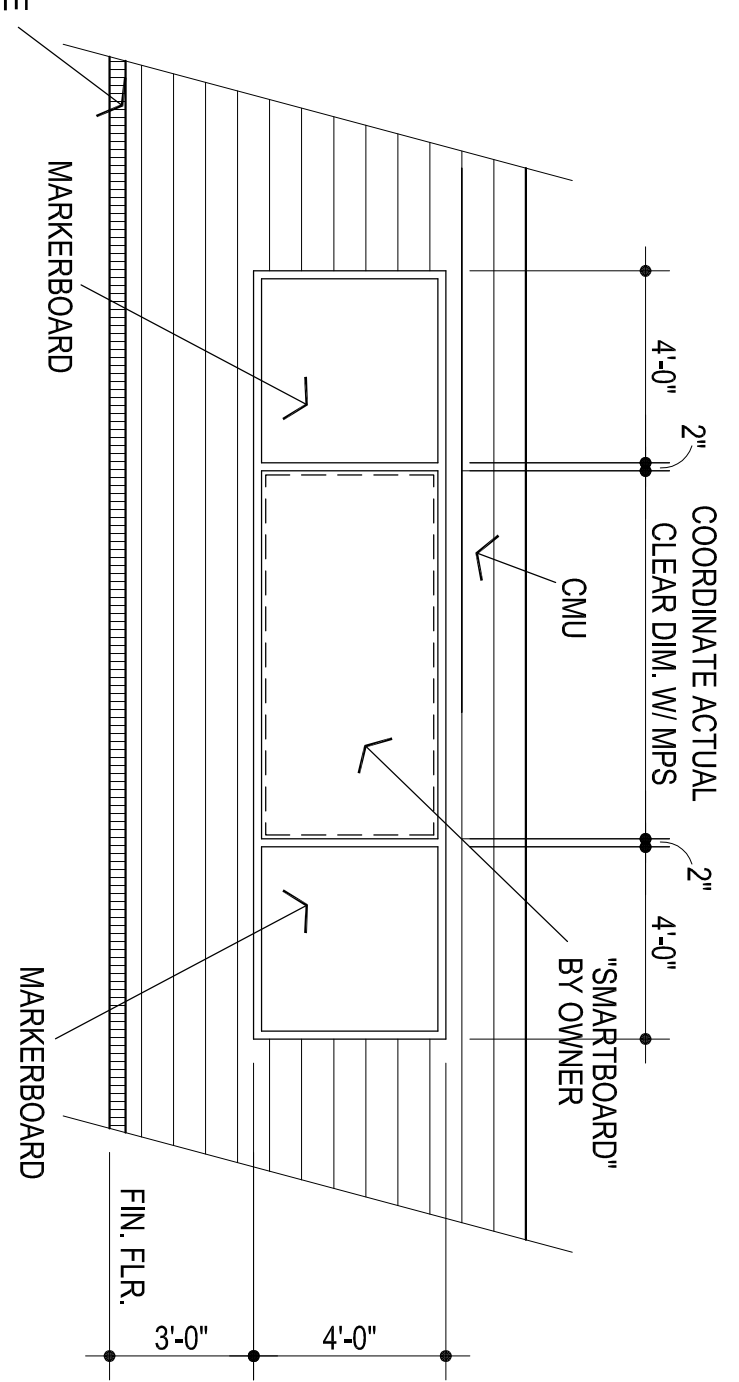
1
ELEVATION @ TYP. LAB
1/4" = 1'-0"



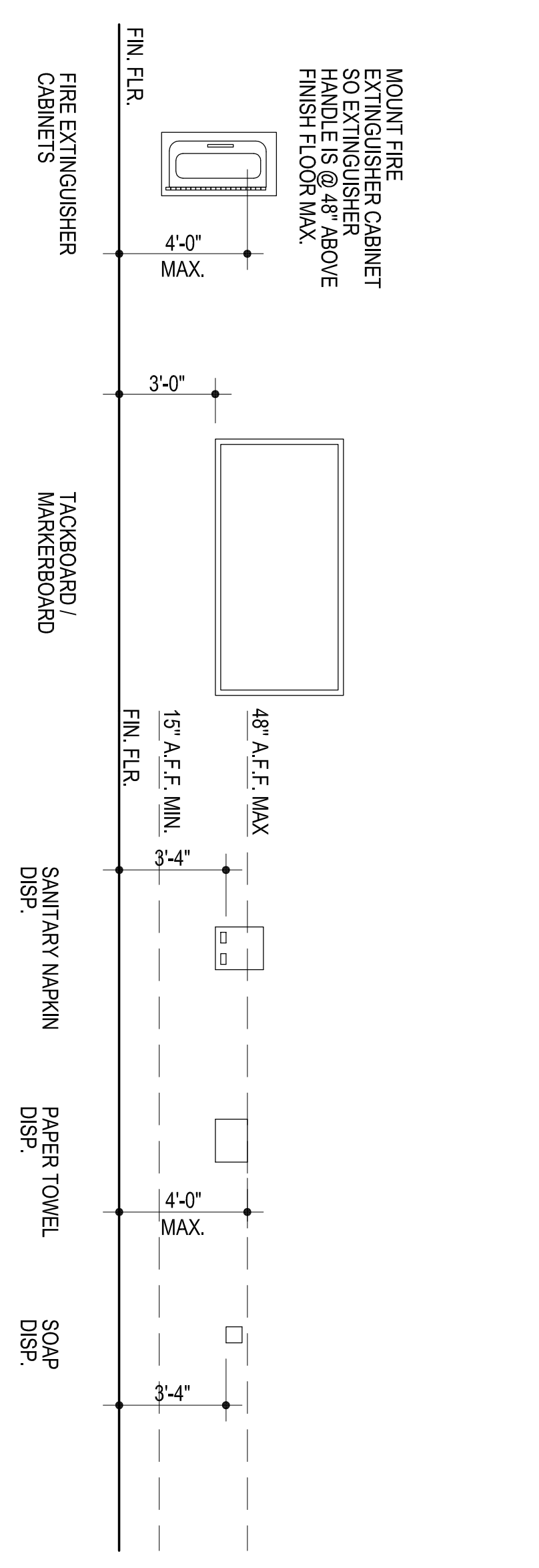
2
ELEVATION @ TYP. LAB
1/4" = 1'-0"



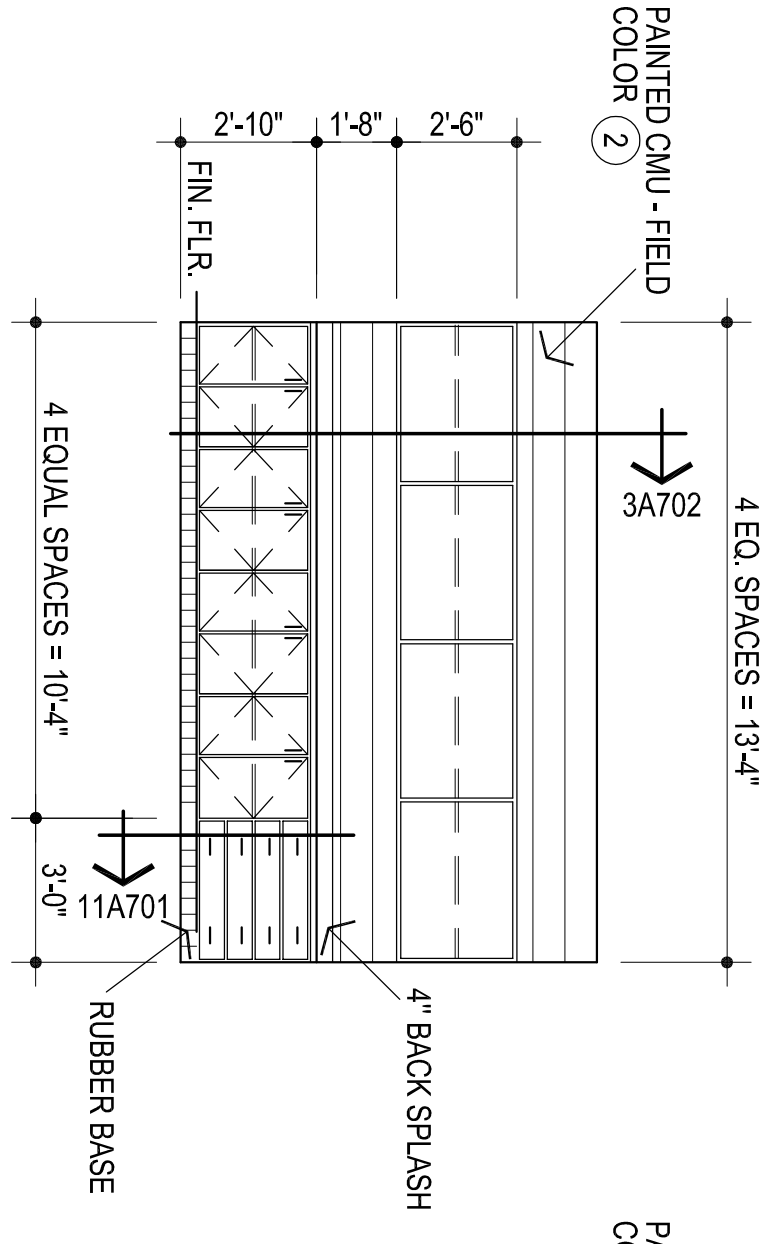
3
ELEVATION @ TYP. CLASSROOM
1/4" = 1'-0"



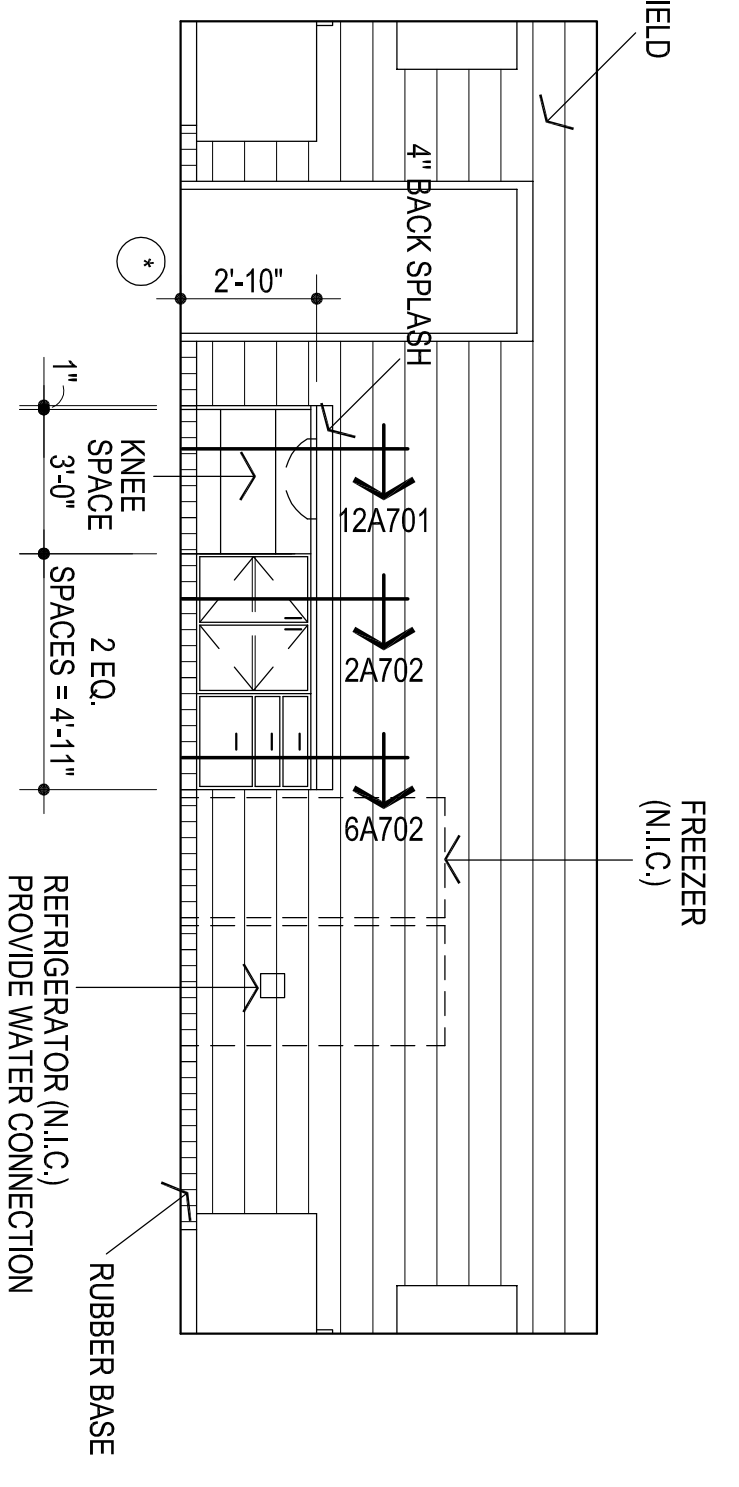
4
ELEV. @ TYP. CLASSROOM
"SMARTBOARD"
1/4" = 1'-0"



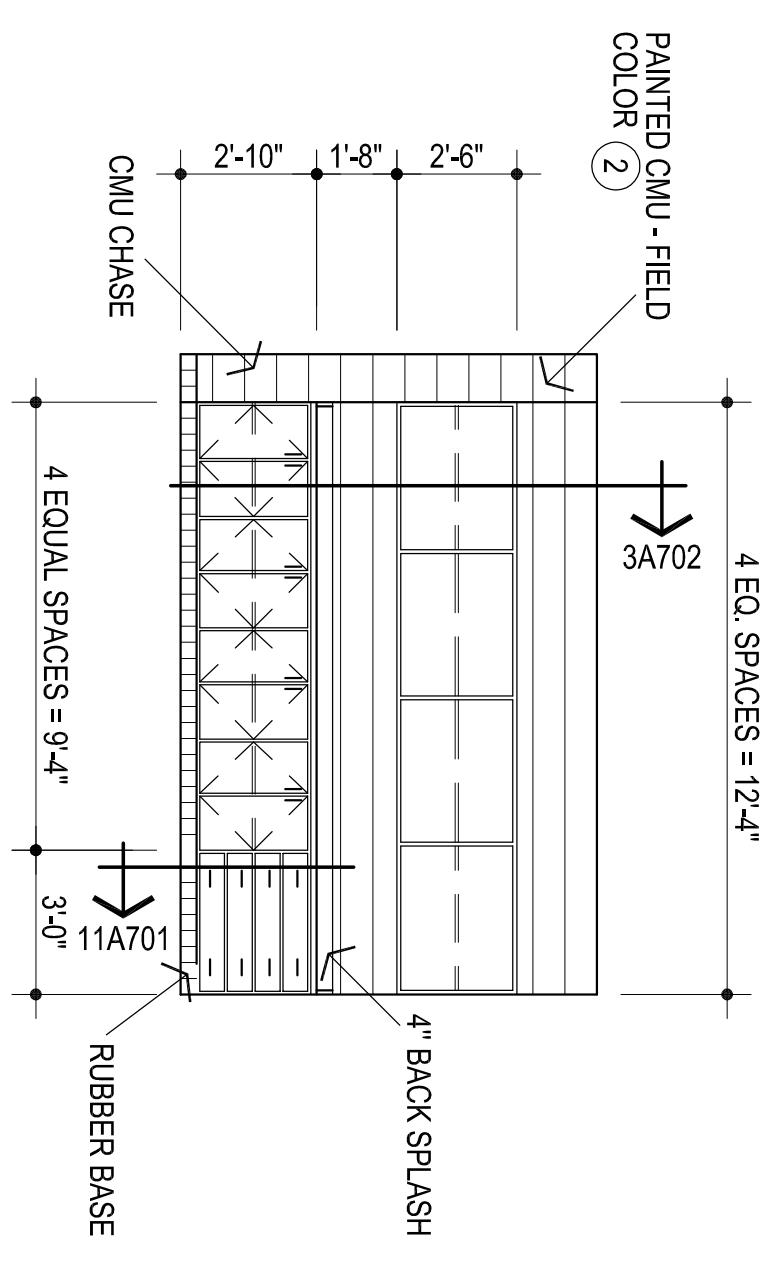
5
TYPICAL MOUNTING HEIGHTS
1/4" = 1'-0"



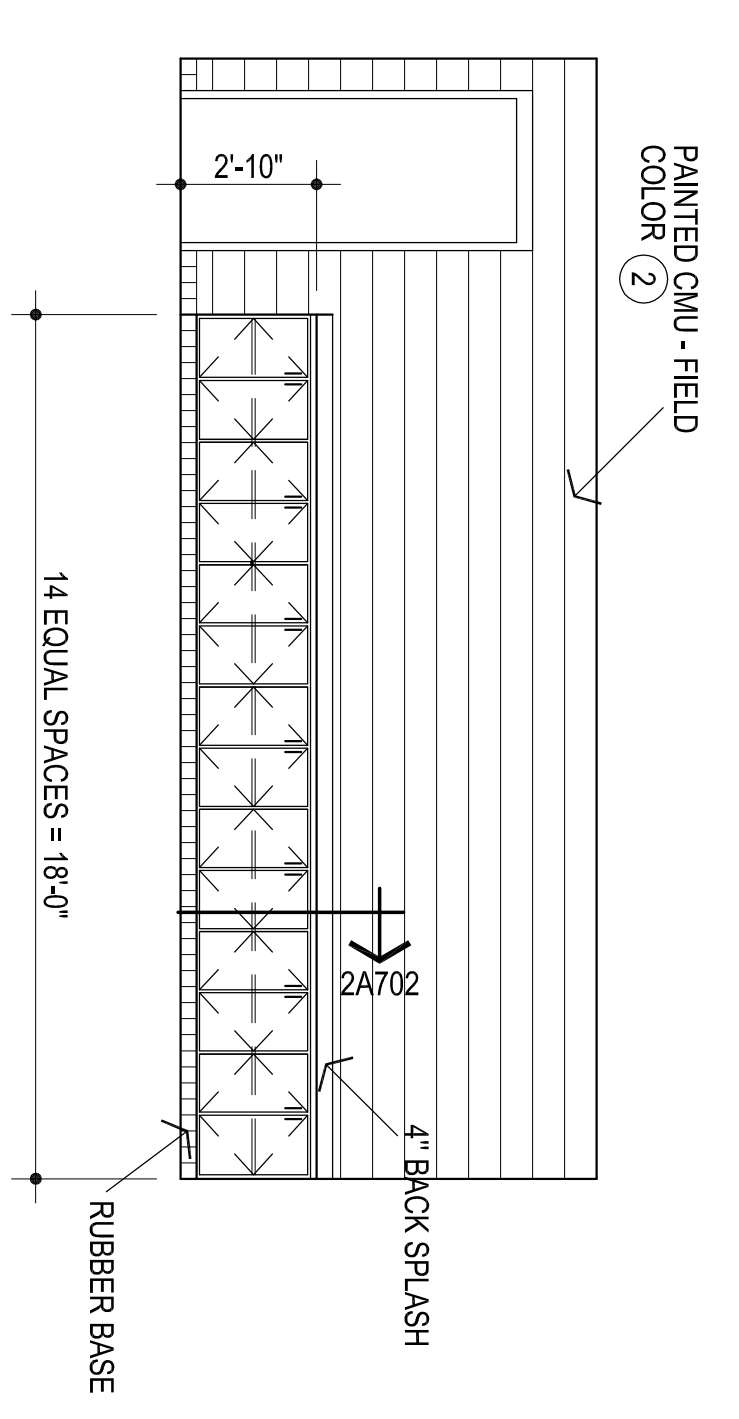
6
ELEVATION @ TYP. STORAGE ROOM
1/4" = 1'-0"



7
ELEVATION @ TYP. BASE CABINET - STORAGE ROOM
1/4" = 1'-0"



8
ELEVATION @ STORAGE ROOM #26
1/4" = 1'-0"



9
ELEVATION @ ROOM #31
1/4" = 1'-0"

NOTE: CONTRACTOR TO VERIFY THAT THE MOUNTING HEIGHTS OF ALL WALL MOUNTED FIXTURES (I.E. PLUMBING FIXTURES, GRAB BARS, MIRRORS, ETC.) MEET ALL APPLICABLE CODES & STANDARDS PRIOR TO INSTALLATION.

AGP
the Abia Griffin Partnership L.L.C.
201 N. BROADWAY
SUITE 210
MOORE, OK. 73160
405.735.3477
AGP@theAGP.net
www.theAGP.net

CEDAR CREEK
CIVIL
KFC ENGINEERING
STRUCTURAL
SALAS ORBEN
MECHANICAL/ELECTRICAL

STATE OF OKLAHOMA
MICHAEL A. ABIA
LICENSED PROFESSIONAL ENGINEER
NO. 26539
7/31/23

CS
drawn by
MA
checked by
JULY 2023
date
revisions

MOORE PUBLIC SCHOOLS
BOARD OF EDUCATION
MOORE, OKLAHOMA
LEARNING FOR LIFE
MOORE Public Schools

CLASSROOM ADDITION
HIGHLAND WEST
JUNIOR HIGH SCHOOL

A401

OWNERSHIP USE OF DOCUMENTS:
AGP EXPRESSLY RESERVES ITS COPYRIGHT AND OTHER PROPERTY RIGHTS OF ALL PLANS AND DRAWINGS DESIGNED AND/OR PRODUCED HEREUNDER. THIS DOCUMENT IS TO BE REPRODUCED IN ANY FORM OR MANNER WITHOUT THE EXPRESSED WRITTEN CONSENT OF AGP.