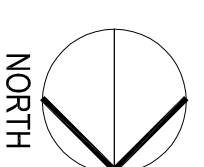
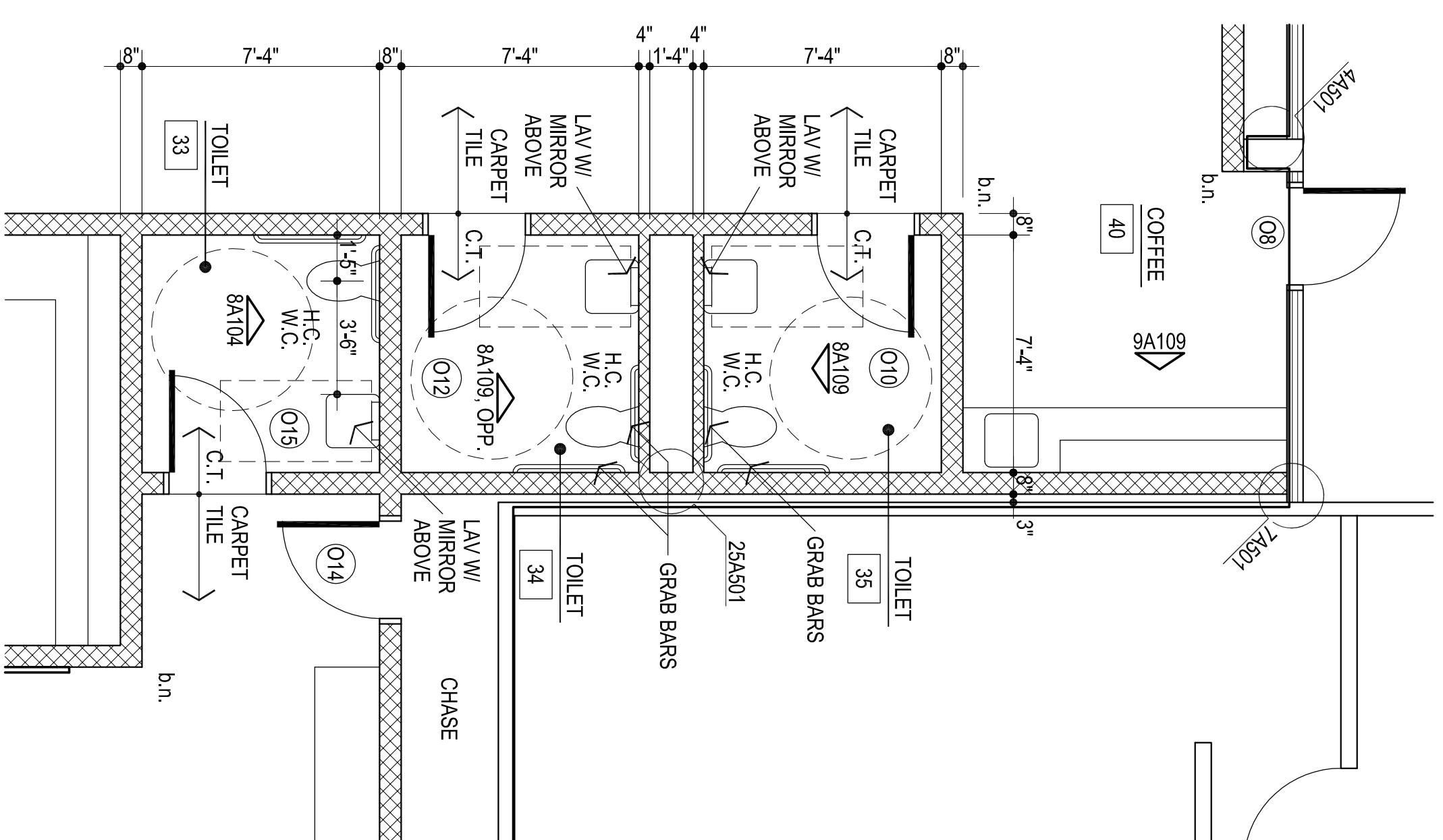
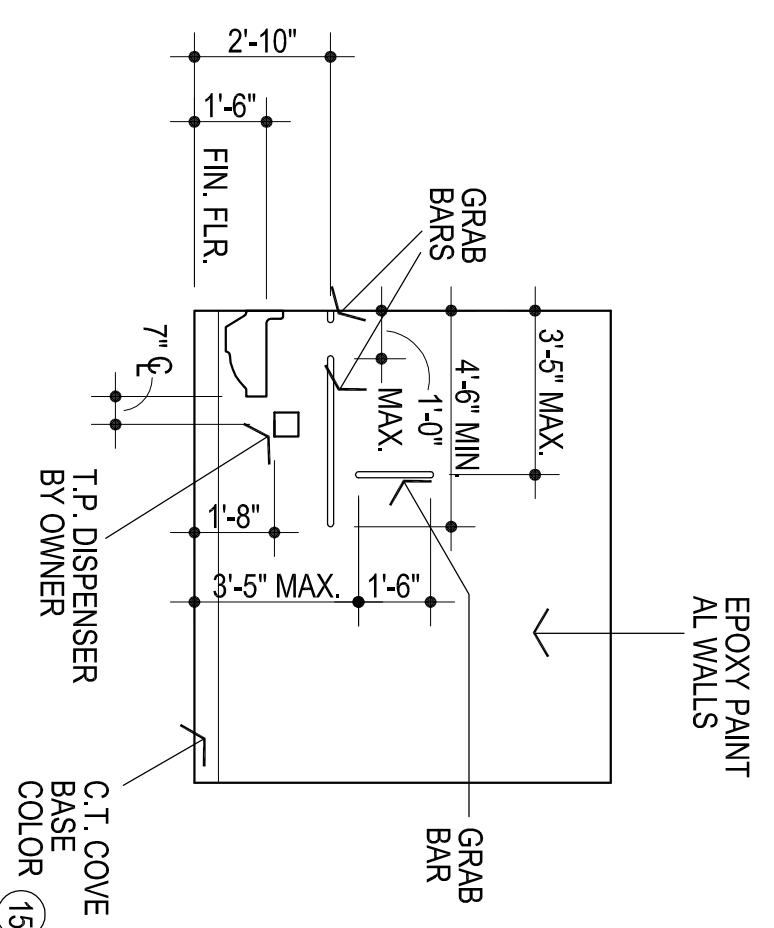


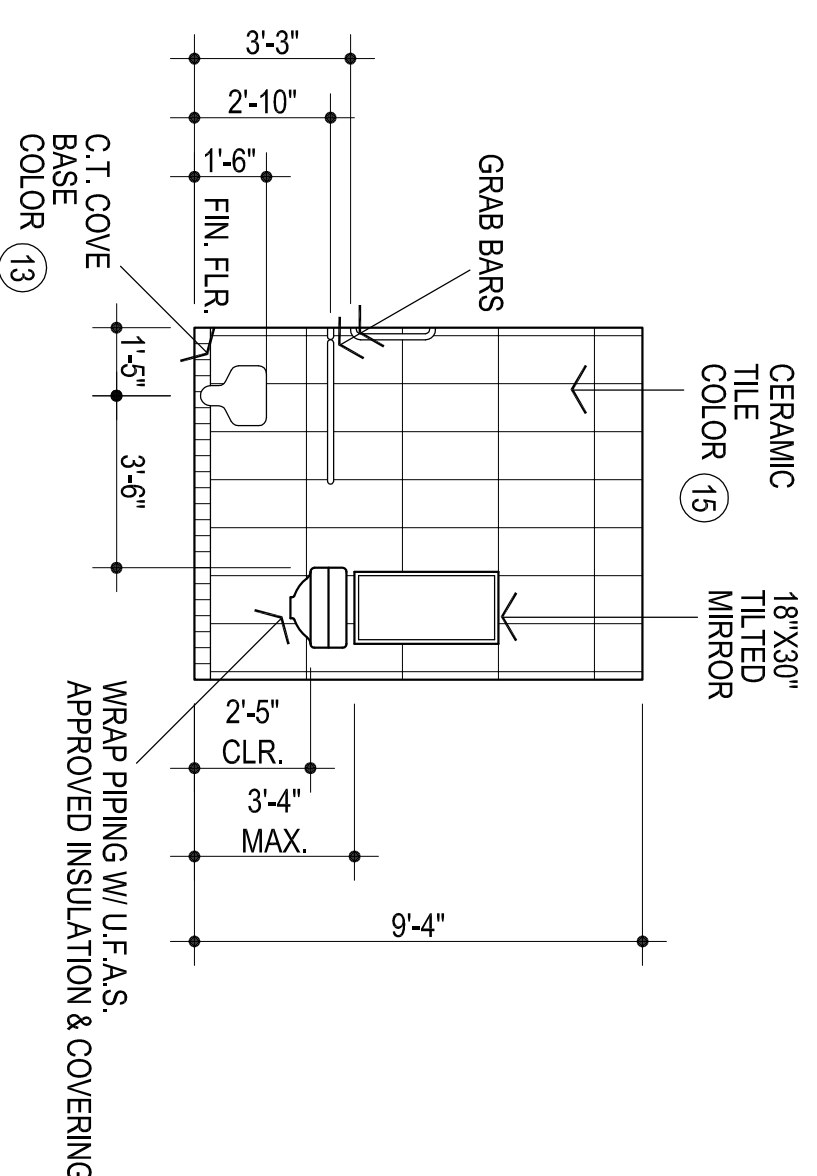
**1**  
ENLARGED FLOOR PLAN ROOM # 11,  
11a, 11b, 11c, 11d, 11e, 11f, 11g, 11h, 11i, 11j, & 11k  
1/4" = 1'-0"



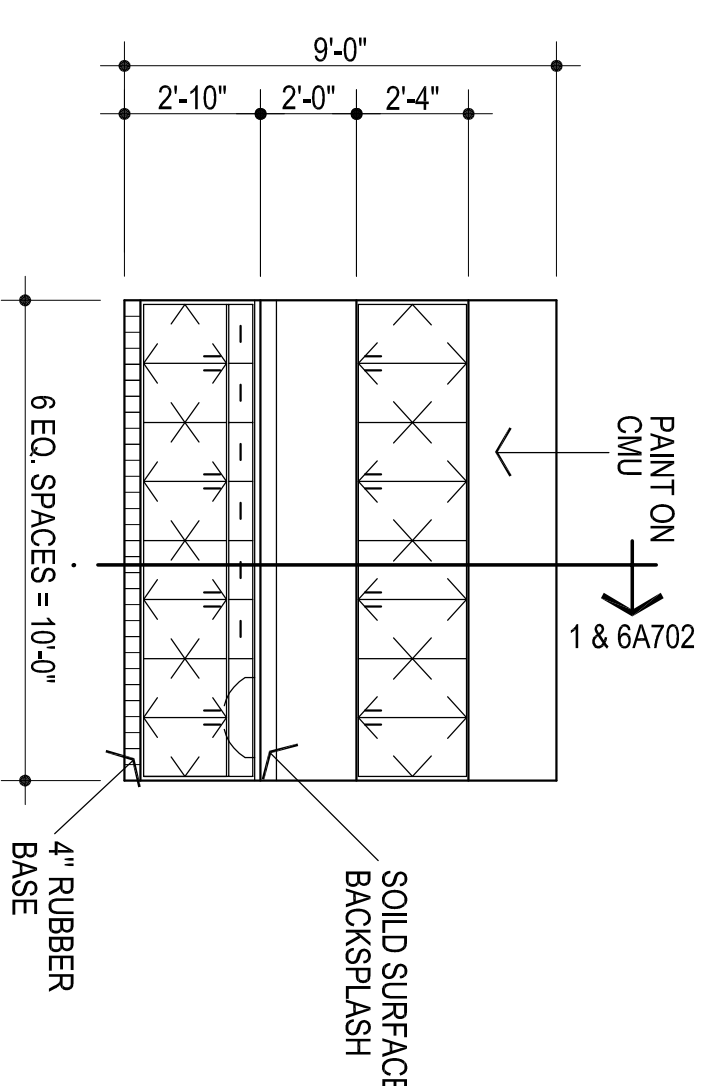
**2**  
ENLARGED FLOOR PLAN  
ROOM #33, 34, 35 & 40  
1/4" = 1'-0"



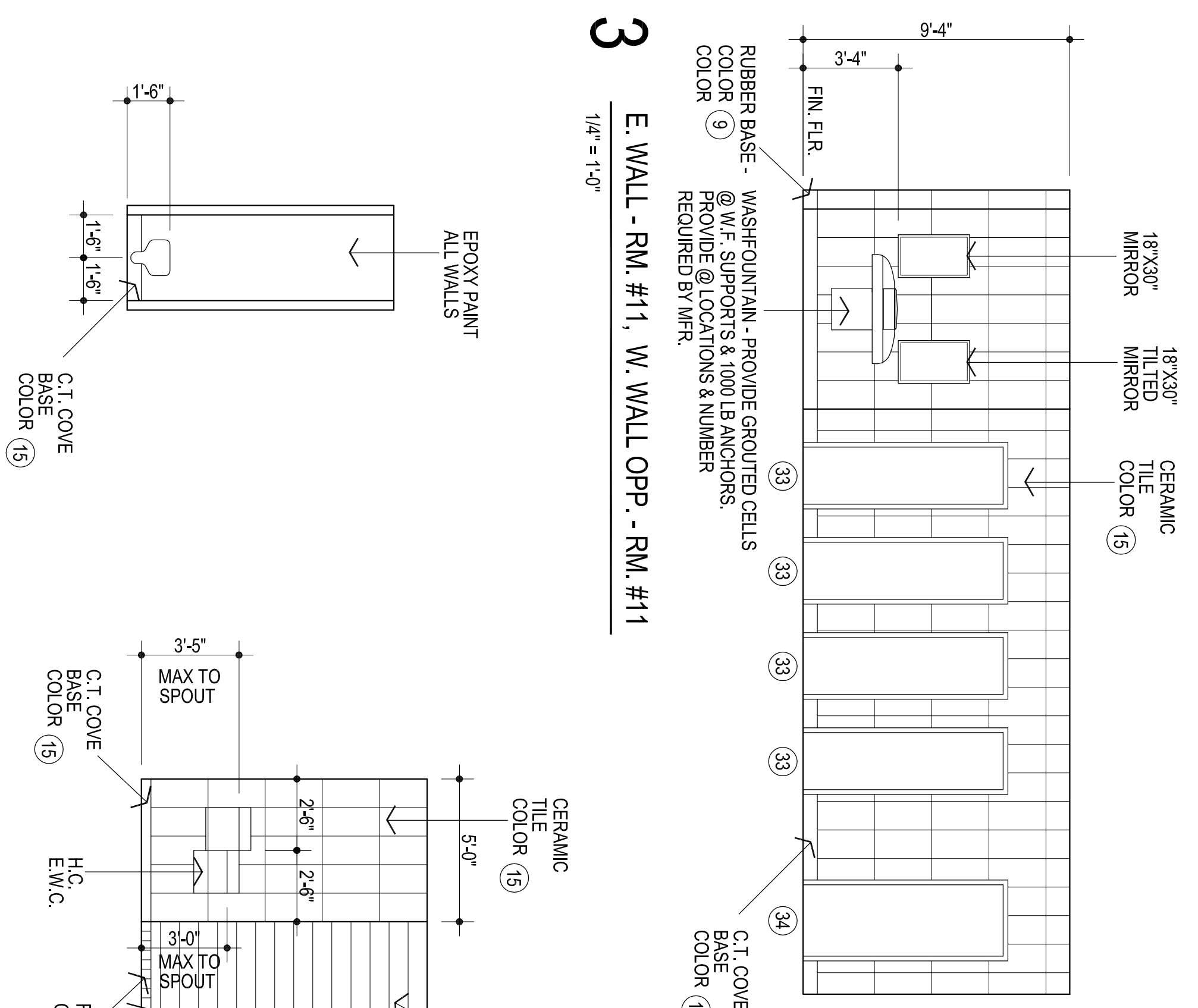
**7**  
HANDICAP  
ACCESSIBLE W.C.  
1/4" = 1'-0"



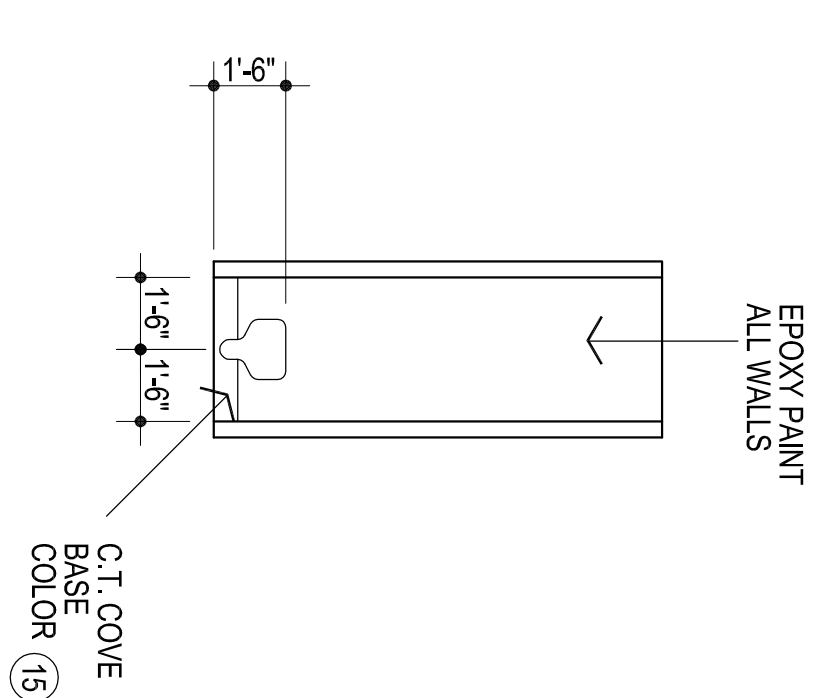
**8**  
W. WALL ROOM # 33  
W. WALL ROOM # 34  
E. WALL ROOM # 35  
1/4" = 1'-0"



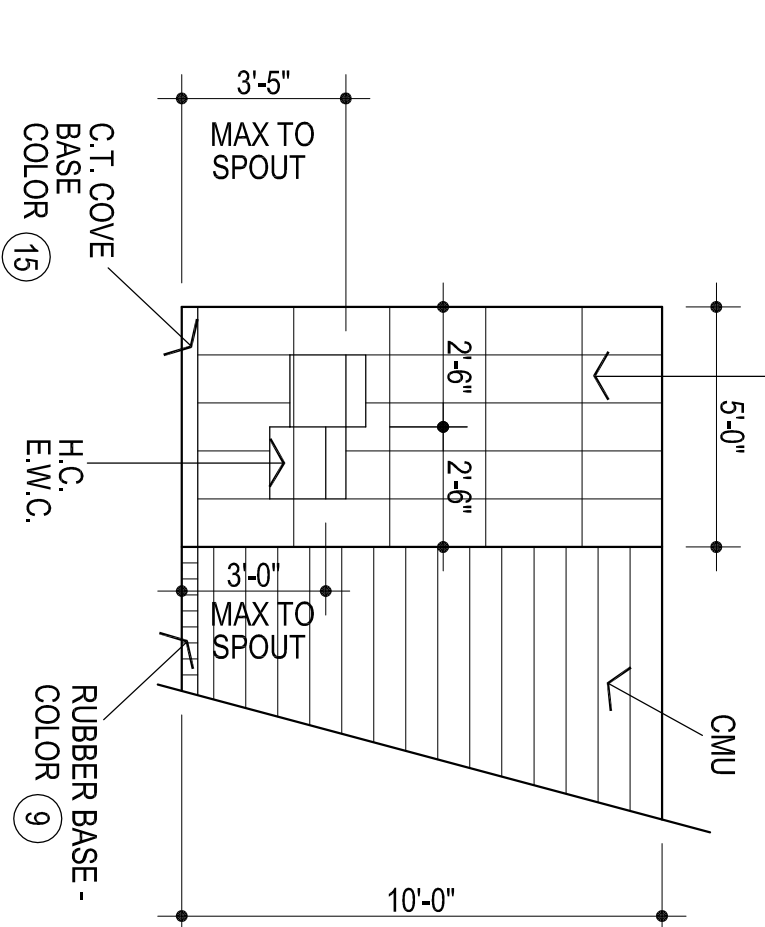
**9**  
N. WALL ROOM # 40  
1/4" = 1'-0"



**3**  
E. WALL - RM. #11, W. WALL OPP. - RM. #11  
1/4" = 1'-0"

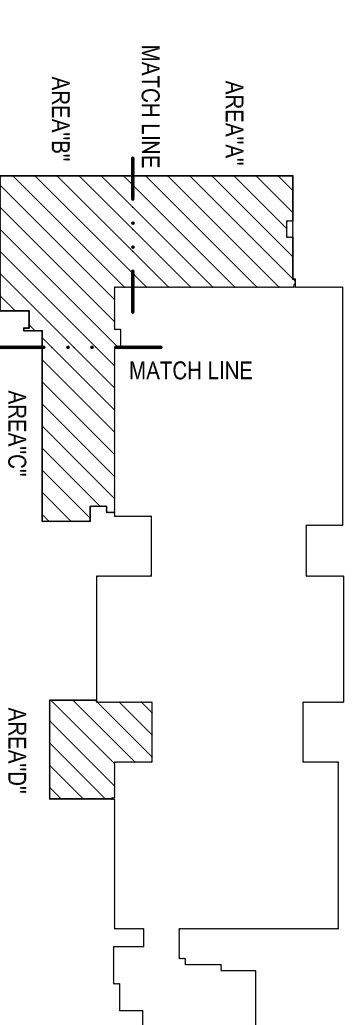


**4**  
TYP. TOILET  
1/4" = 1'-0"



**5**  
TYP. W.C. ELEVATION  
1/4" = 1'-0"

NOTE: CONTRACTOR TO VERIFY THAT THE MOUNTING HEIGHTS OF ALL WALL MOUNTED FIXTURES (I.E. PLUMBING FIXTURES, GRAB BARS, MIRRORS, ETC.) MEET ALL APPLICABLE CODES & STANDARDS PRIOR TO INSTALLATION.



KEY PLAN

**AGP**  
the Abila Griffin  
Partnership L.L.C.  
201 N. BROADWAY  
SUITE 210  
MOORE, OK. 73160  
405.735.3477  
AGP@theAGP.net  
www.theAGP.net

CEDAR CREEK  
CIVIL  
KFC ENGINEERING  
STRUCTURAL  
SALAS ORBEN  
MECHANICAL/ELECTRICAL



CS  
drawn by  
MA  
checked by  
JULY 2023  
date  
revisions

MOORE PUBLIC SCHOOLS  
BOARD OF EDUCATION  
MOORE, OKLAHOMA

MOORE Public Schools  
LEARNING FOR LIFE

CLASSROOM ADDITION  
HIGHLAND WEST  
JUNIOR HIGH SCHOOL

ENLARGED FLOOR PLAN  
OWNERSHIP USE OF DOCUMENTS:  
**A109**

AGP EXPRESSLY RESERVES ITS  
COPYRIGHT AND OTHER PROPERTY  
RIGHTS OF ALL PLANS AND DRAWINGS  
DESIGNED AND/OR PRODUCED BY  
AGP. ANY REPRODUCTION, IN ANY  
MANNER, WITHOUT THE EXPRESSED WRITTEN  
CONSENT OF AGP.