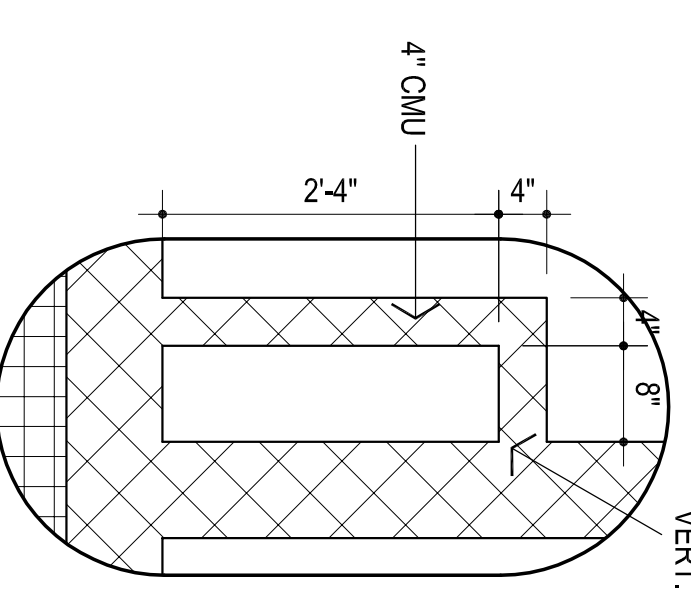
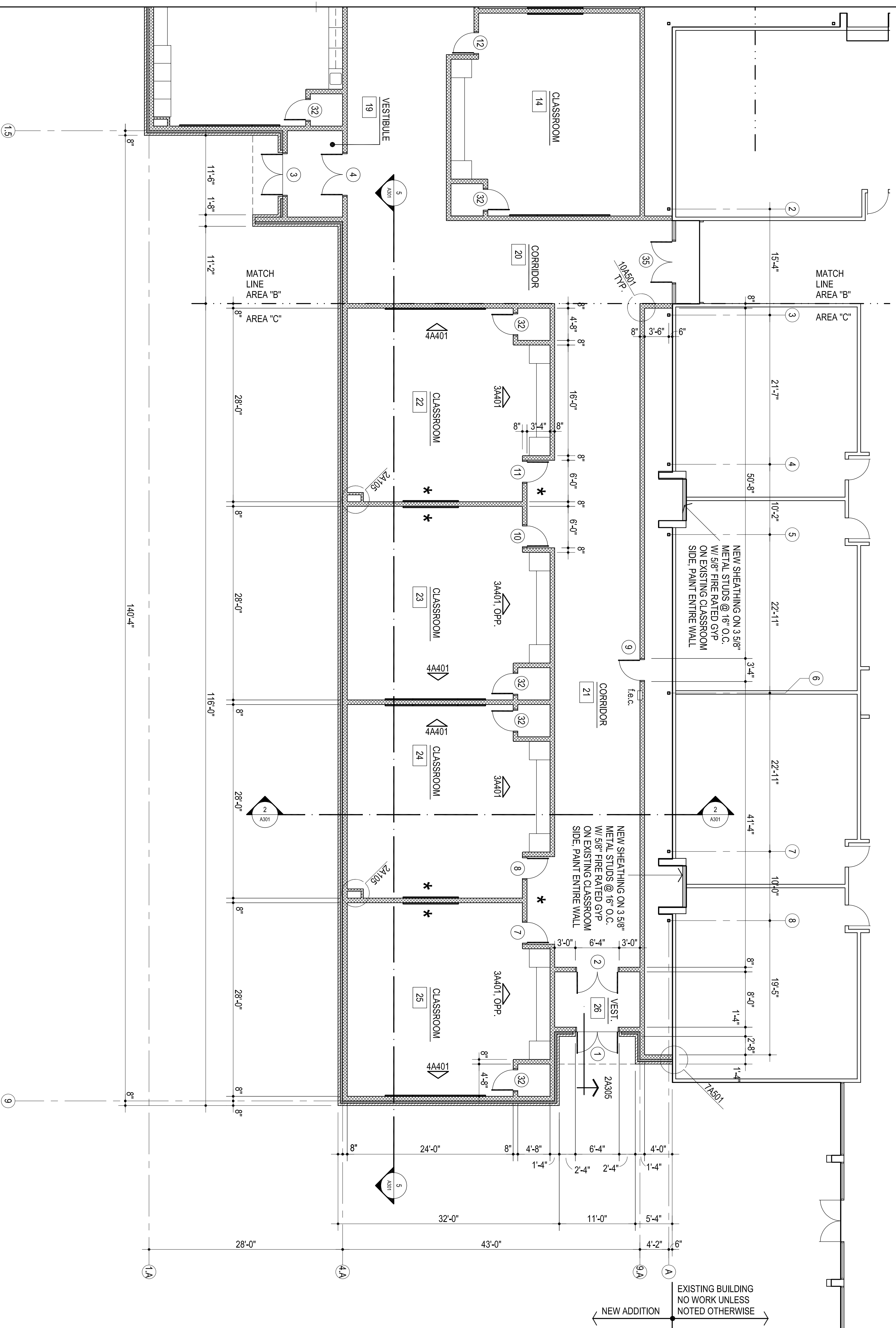
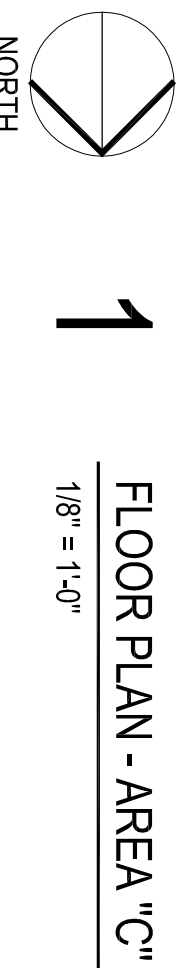




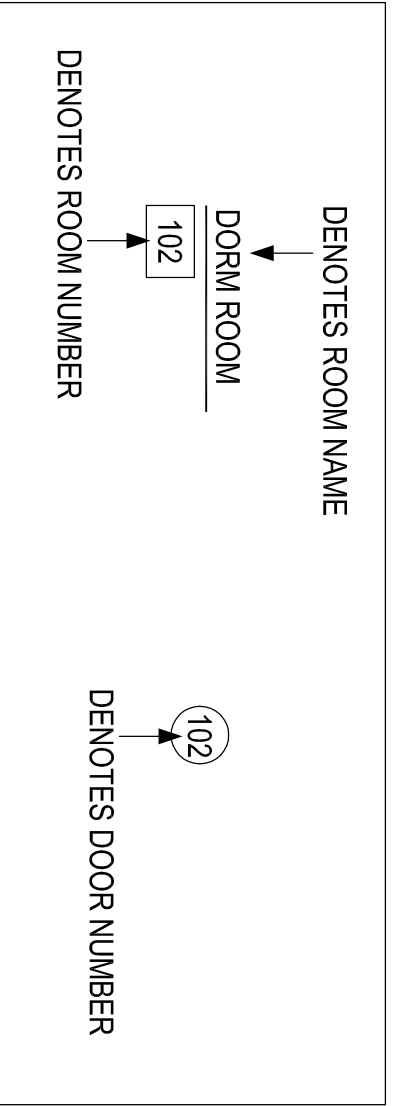
CC	drawn by	
MA	checked by	
	date	JULY 2023
	revisions	



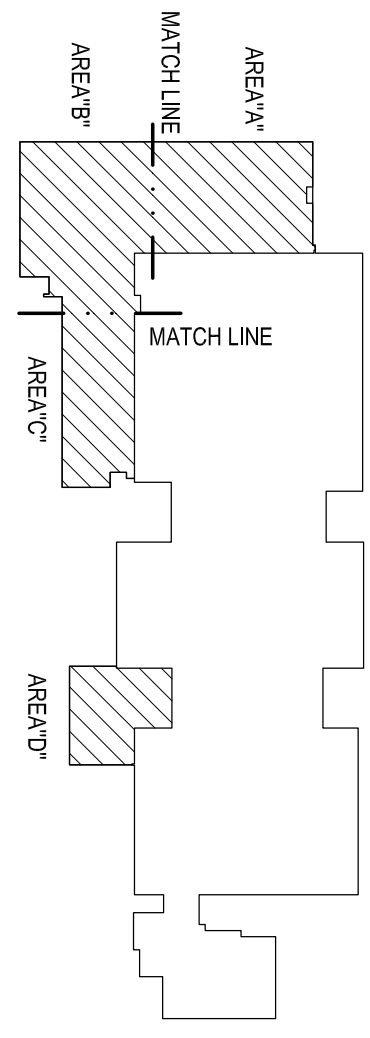
2
CHASE
3/4" = 1'-0"



1
FLOOR PLAN - AREA "C"
1/8" = 1'-0"



- MISCELLANEOUS NOTES:
1. F.E.C. - FIRE EXTINGUISHER AND CABINET
 2. REFER A116, A117 & A118 FOR FLOORING FINISH LAYOUT
 3. * INDICATES ROOM WALLS & RECESS WALLS PAINTED ACCENT COLOR
 4. PROVIDE BULLNOSE @ ALL EXPOSED CMU CORNERS & ENDS (h.n.)



KEY PLAN