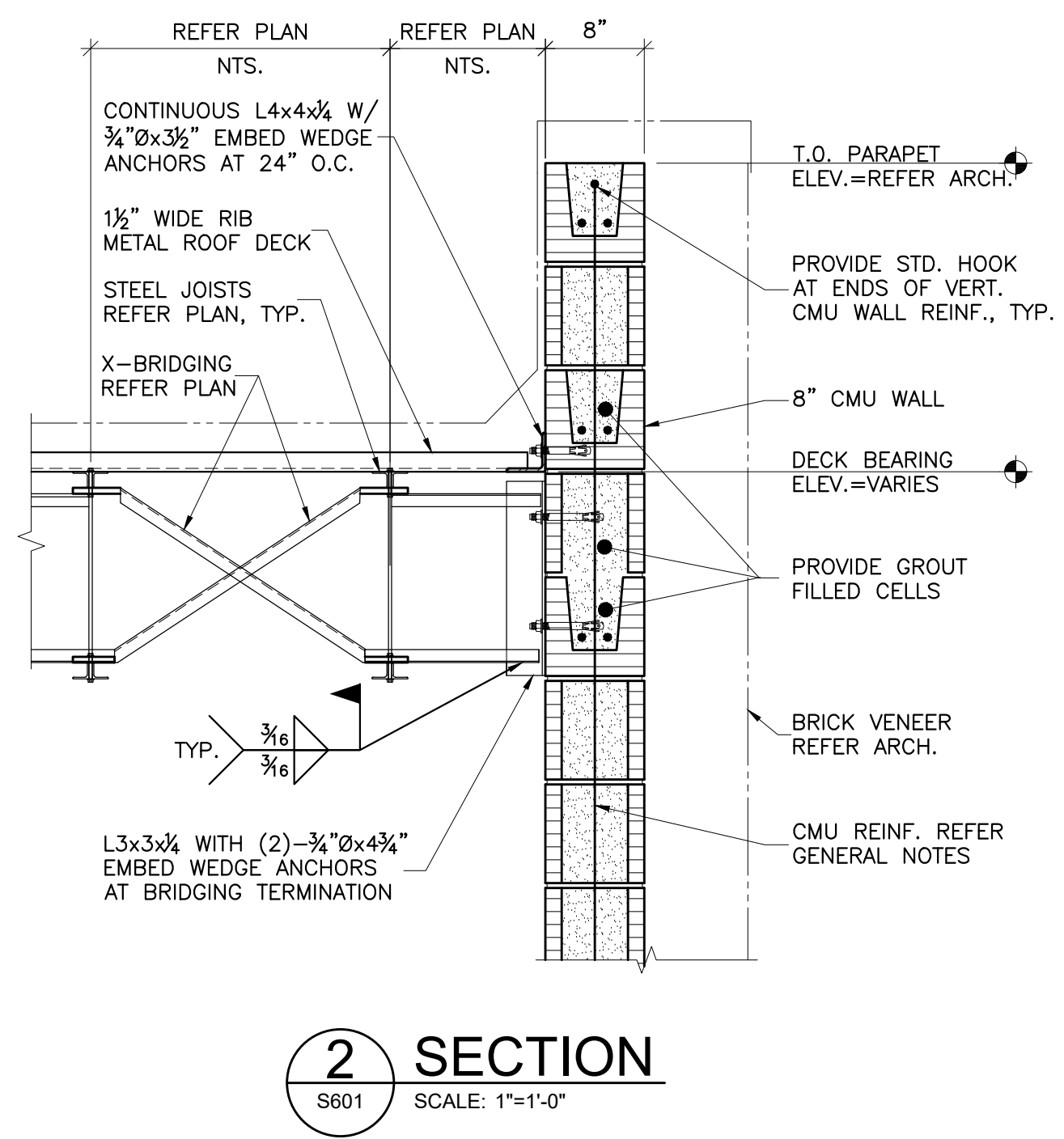
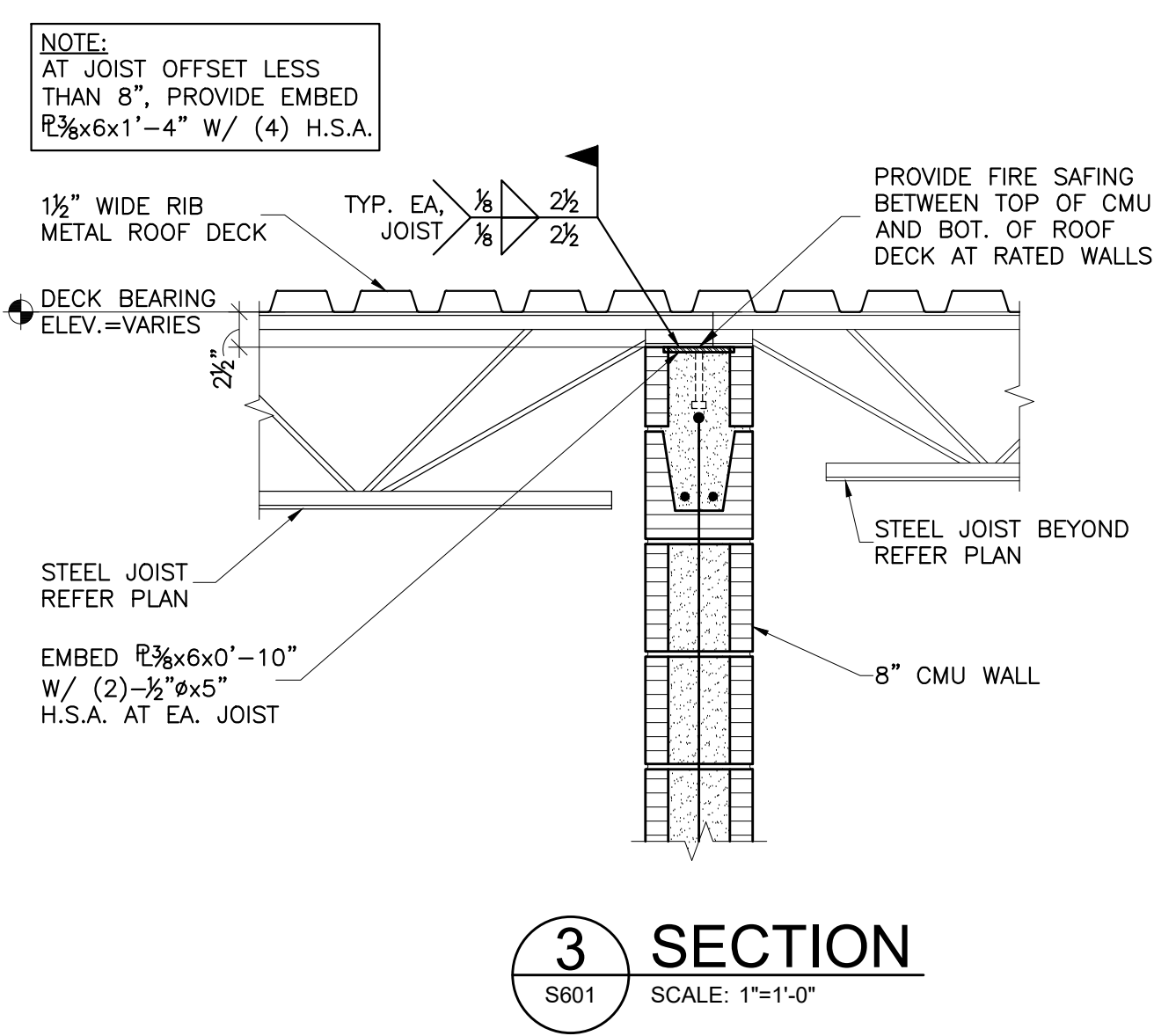


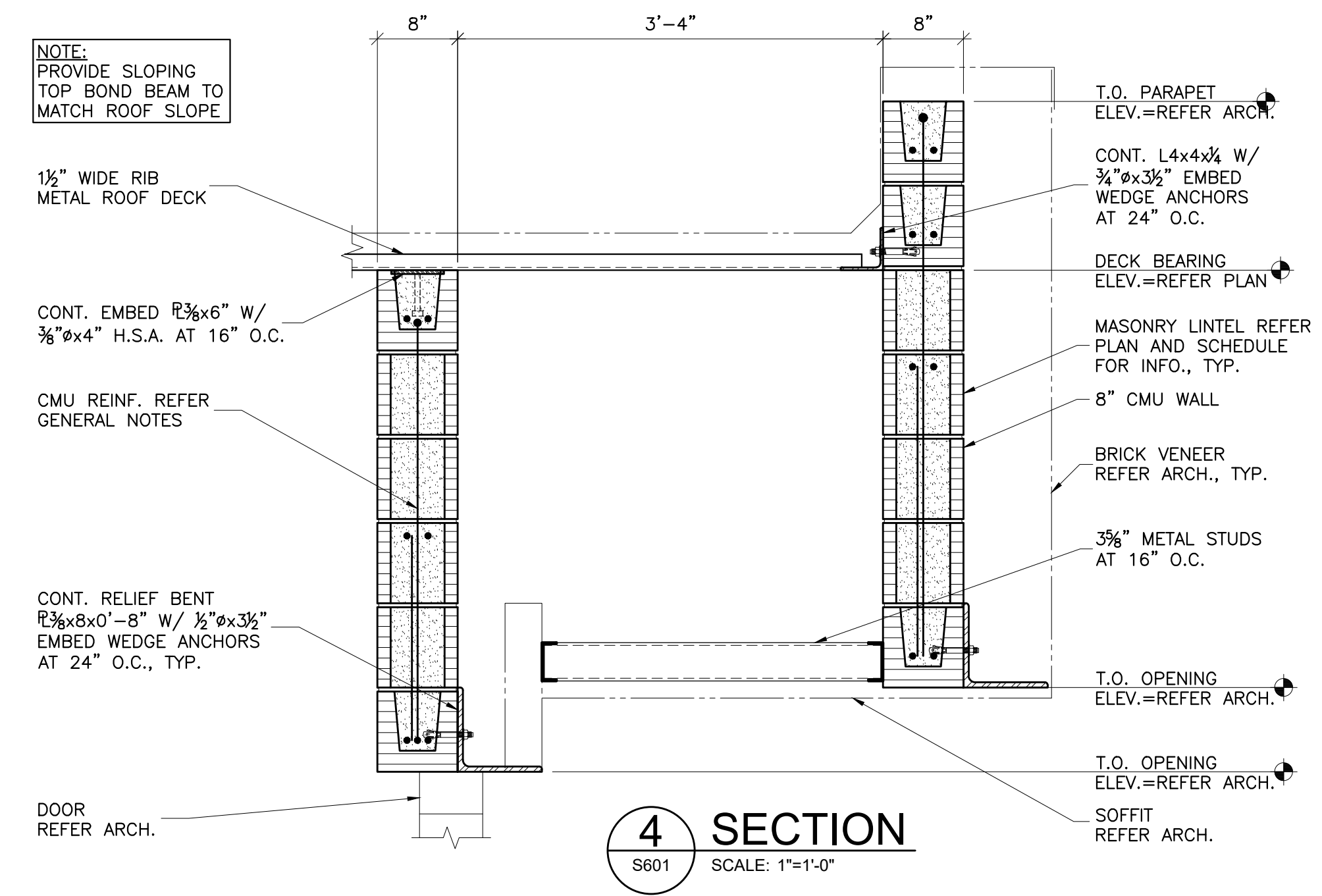
1 SECTION
S601 SCALE: 1"=1'-0"



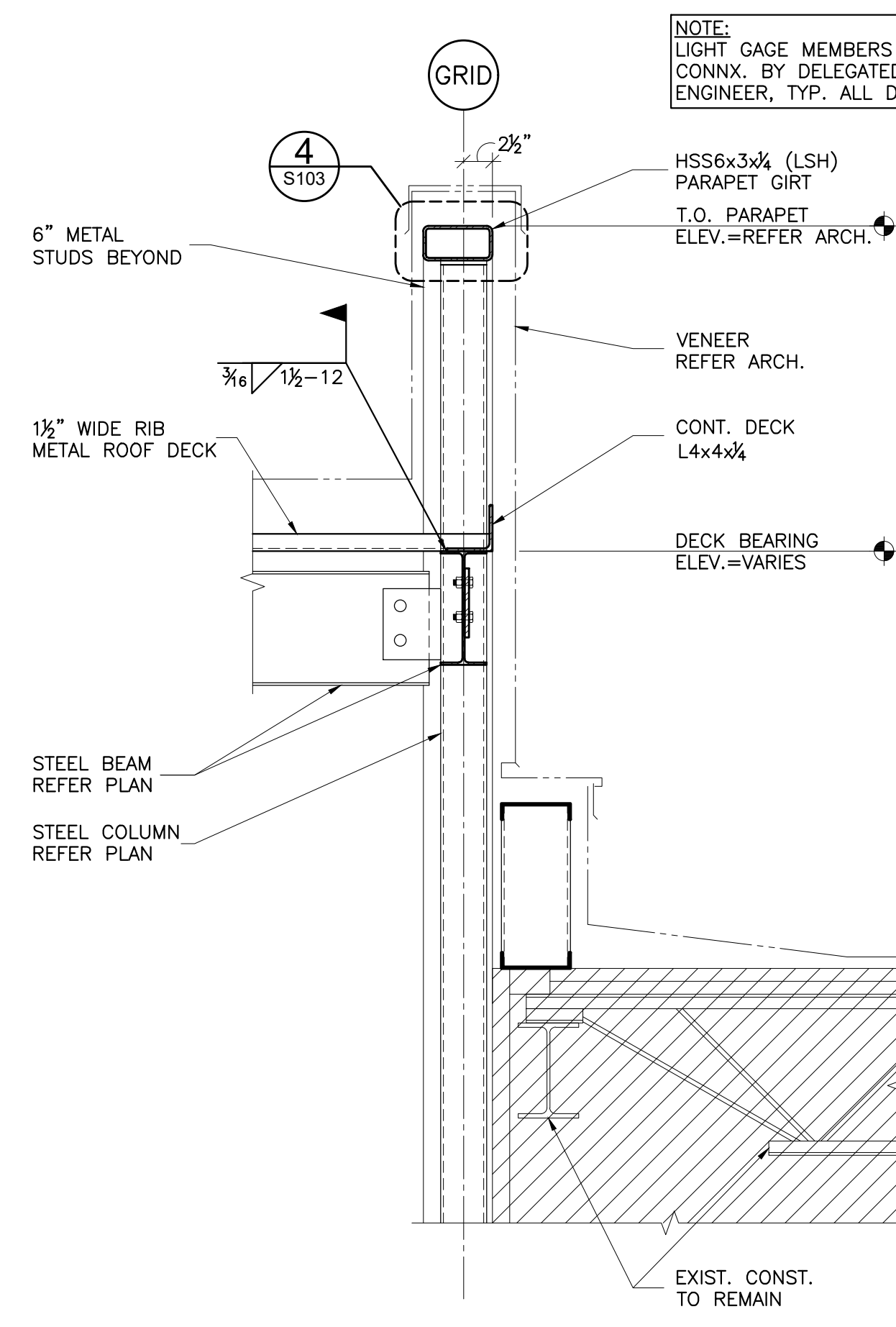
2 SECTION
S601 SCALE: 1"=1'-0"



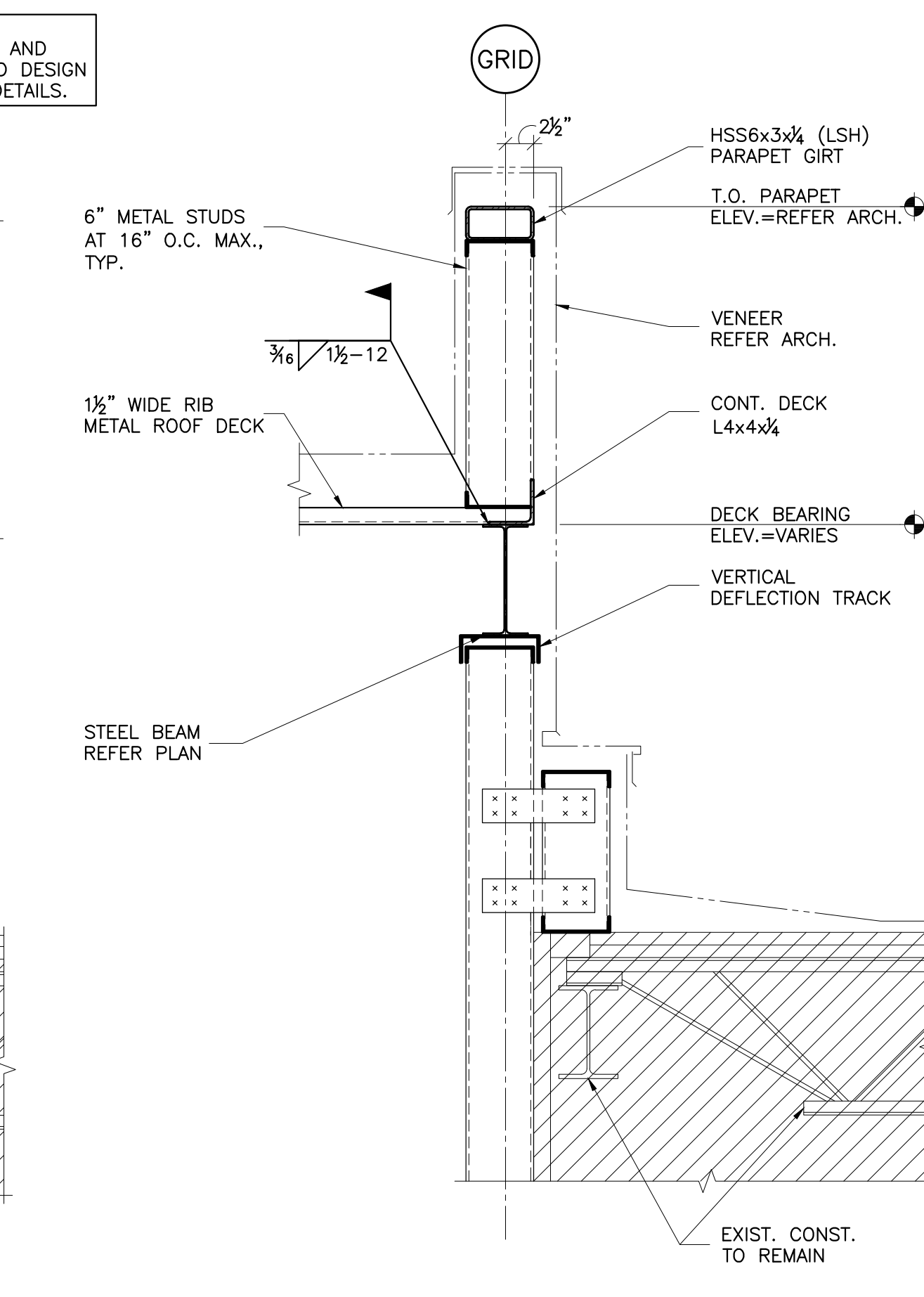
3 SECTION
S601 SCALE: 1"=1'-0"



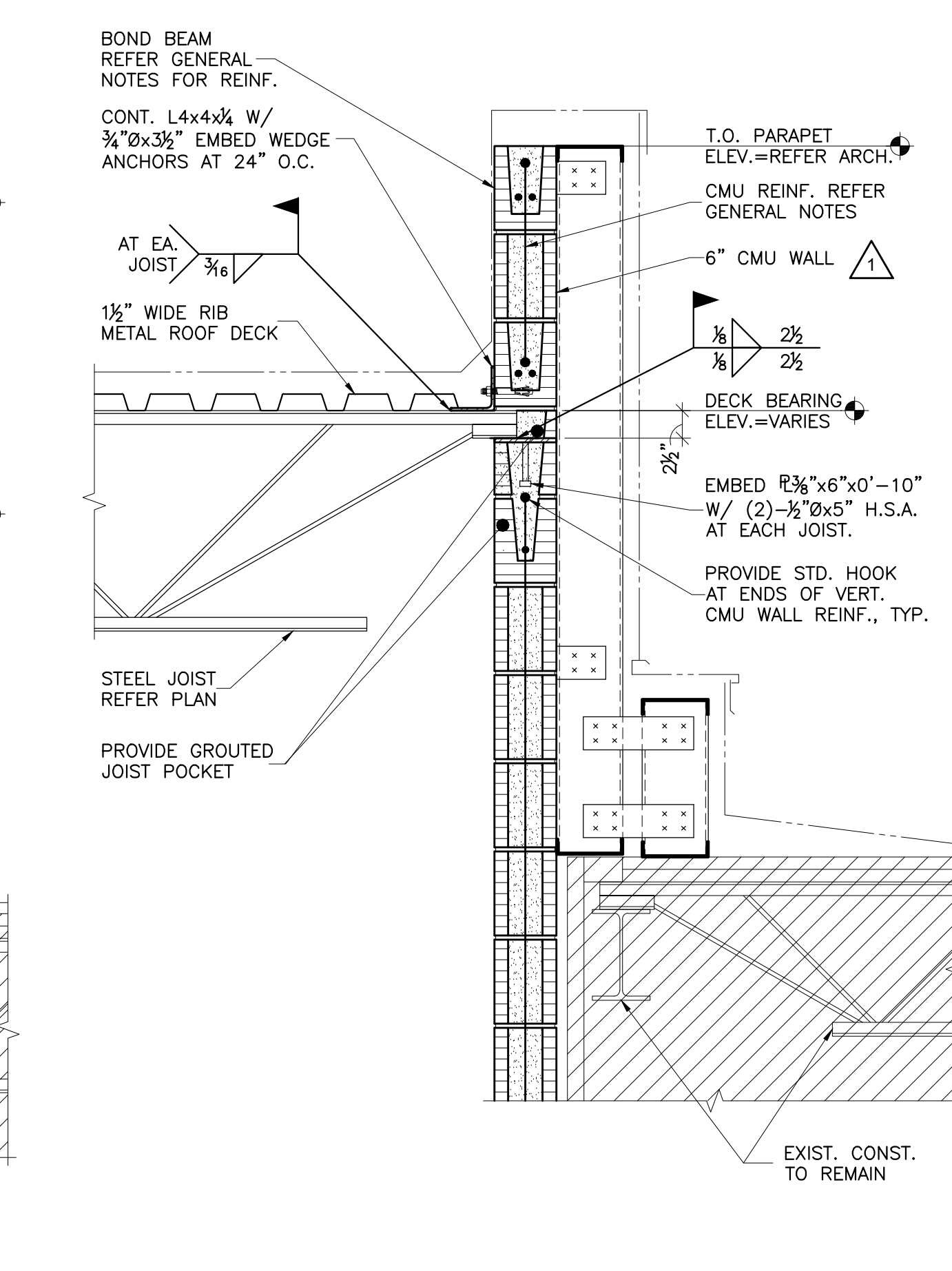
4 SECTION
S601 SCALE: 1"=1'-0"



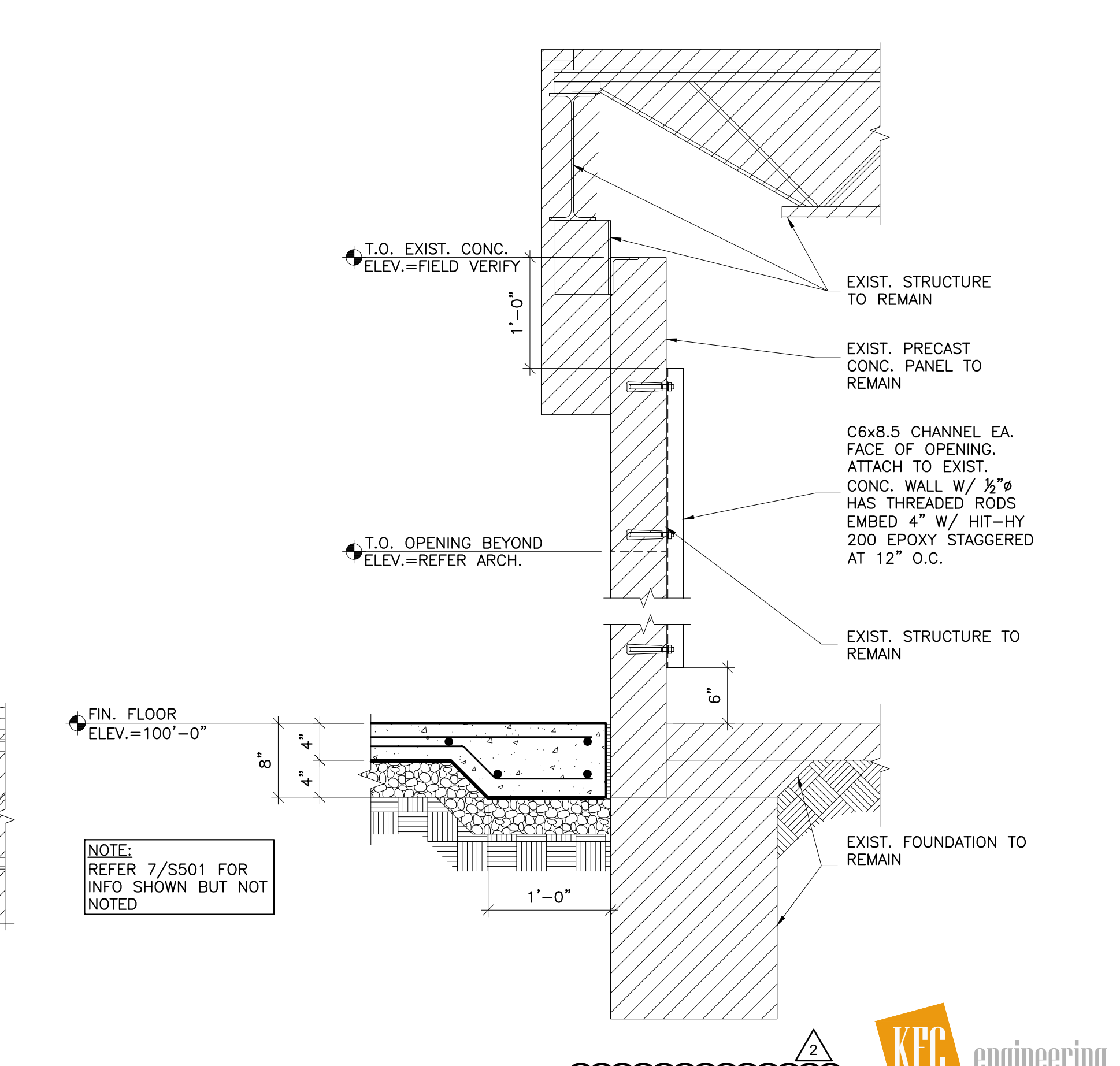
5 SECTION
S601 SCALE: 1"=1'-0"



6 SECTION
S601 SCALE: 1"=1'-0"



7 SECTION
S601 SCALE: 1"=1'-0"



8 SECTION
S601 SCALE: 1"=1'-0"

CJC
drawn by
BWB
checked by
JULY 2023
date

revisions		
CB-10	06/04/2024	
CB-14	07/17/2024	

MOORE PUBLIC SCHOOLS
BOARD OF EDUCATION
MOORE, OKLAHOMA



CLASSROOM ADDITION
HIGHLAND WEST
JUNIOR HIGH SCHOOL

sheet no:

S601

OWNERSHIP USE OF DOCUMENTS:
AGP EXPRESSLY RESERVES ITS
COPYRIGHT AND OTHER PROPERTY
RIGHTS OF ALL PLANS AND DRAWINGS
DESIGNED AND/OR PRODUCED. PLANS
AND DRAWINGS ARE NOT TO BE
REPRODUCED IN ANY FORM OR MANNER
WITHOUT THE EXPRESSED WRITTEN
CONSENT OF AGP.

